

Willis Tower

360° view



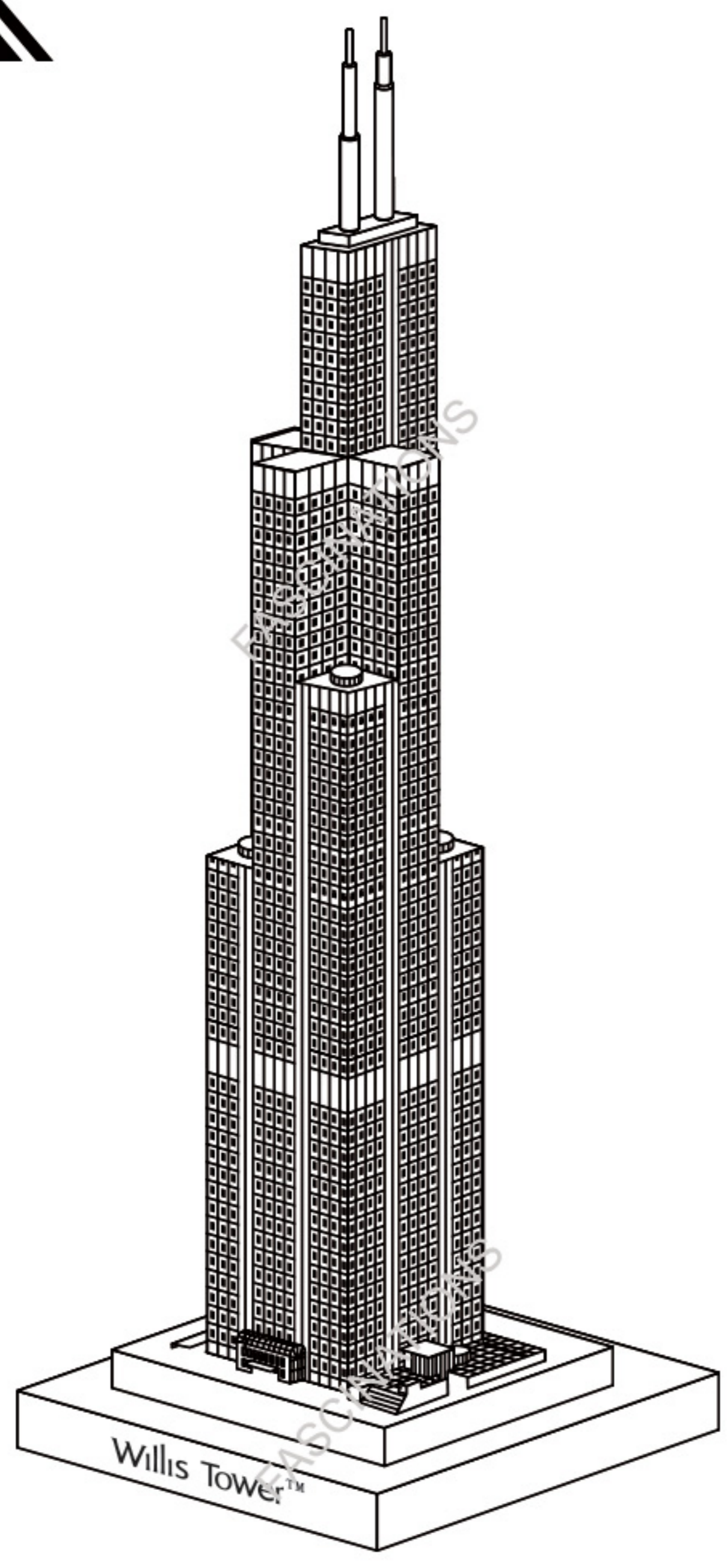
It is highly recommended that you visit www.metalearth.com/360/icx013 to see the completed model before assembling your own

Metal Earth

Premium Series

Go to www.metalearth.com/360/icx013 to see the zoomable PDF version of this instruction sheet

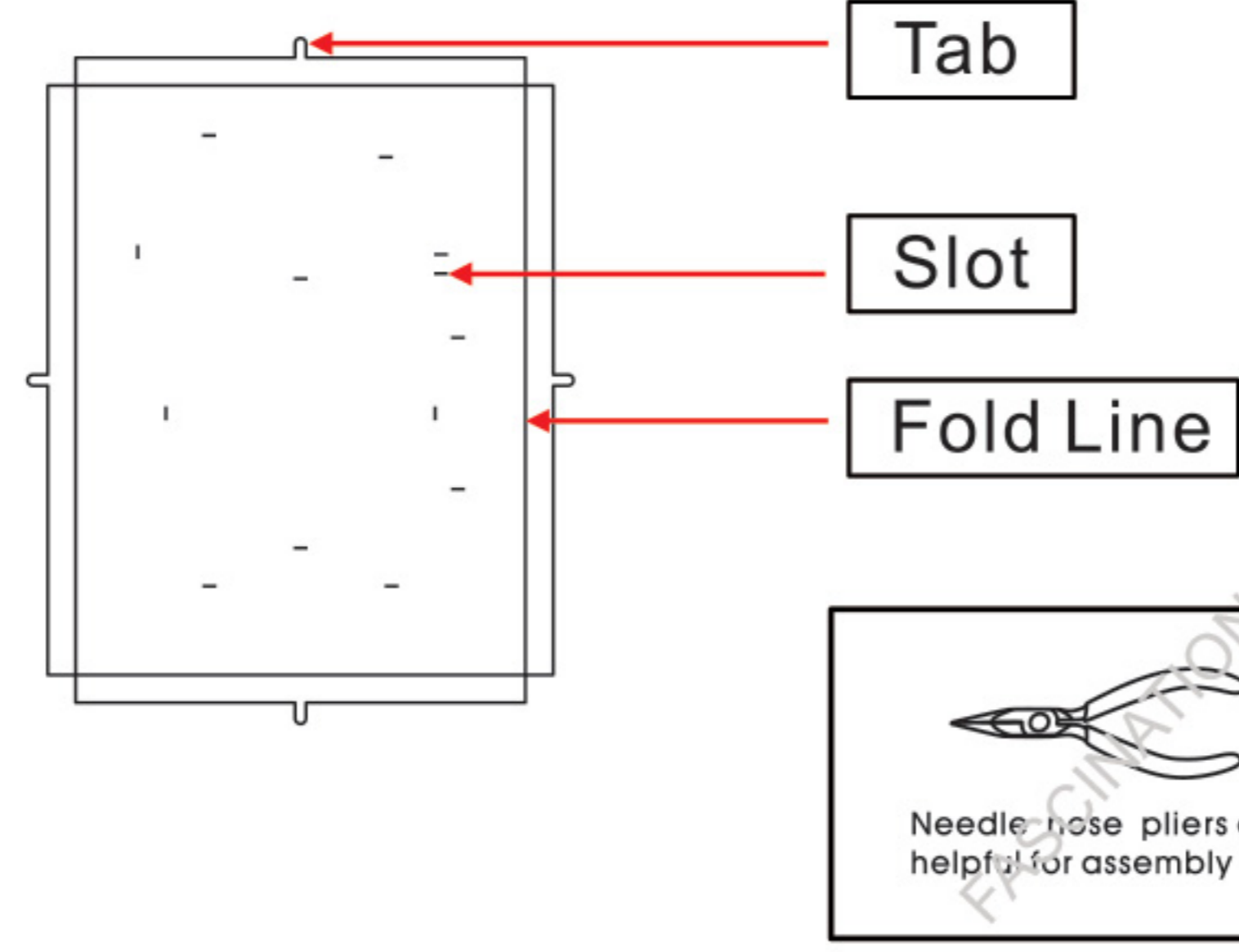
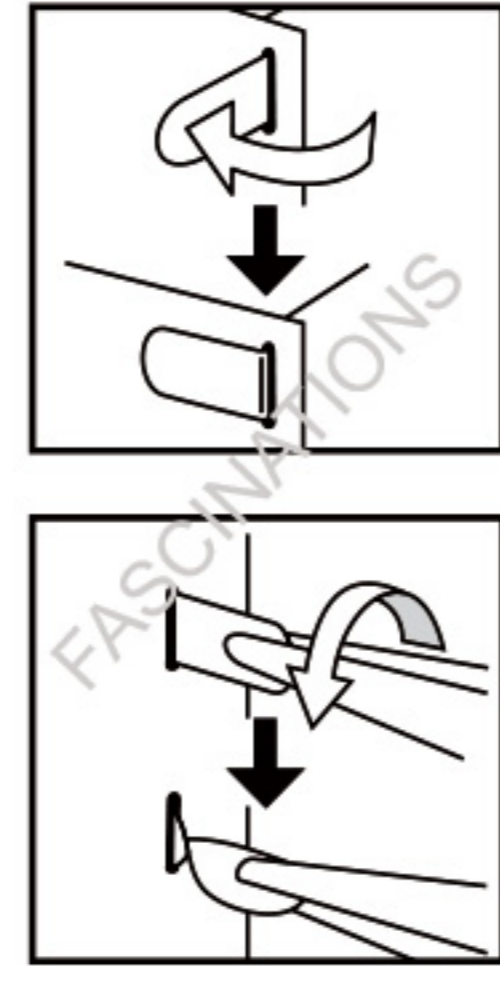
ICX013



TO CREATE THE BEST CONNECTIONS

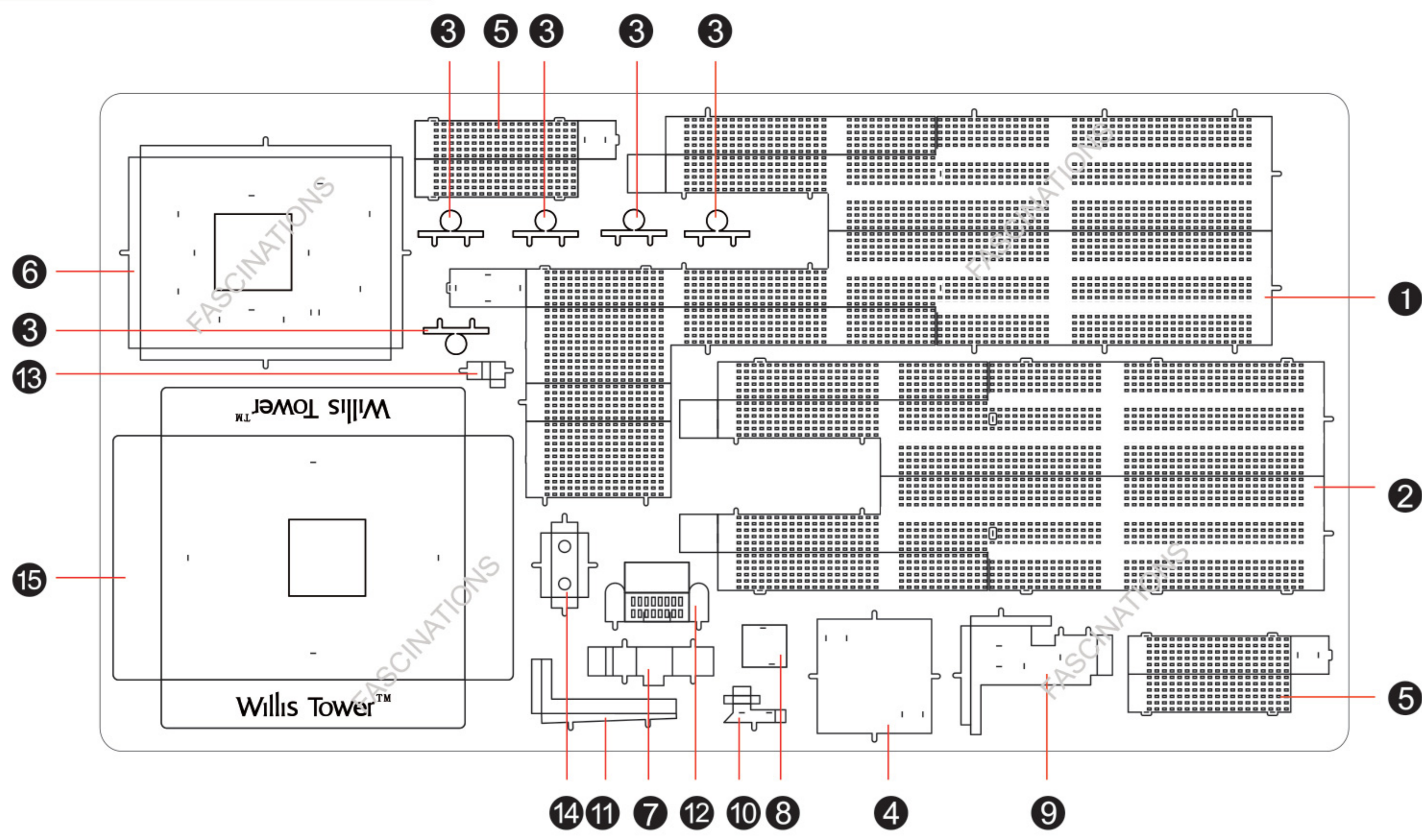
● Insert tab into slot and bend 90 degrees

▲ Insert tab into slot and twist 90 degrees



Needle nose pliers are helpful for assembly

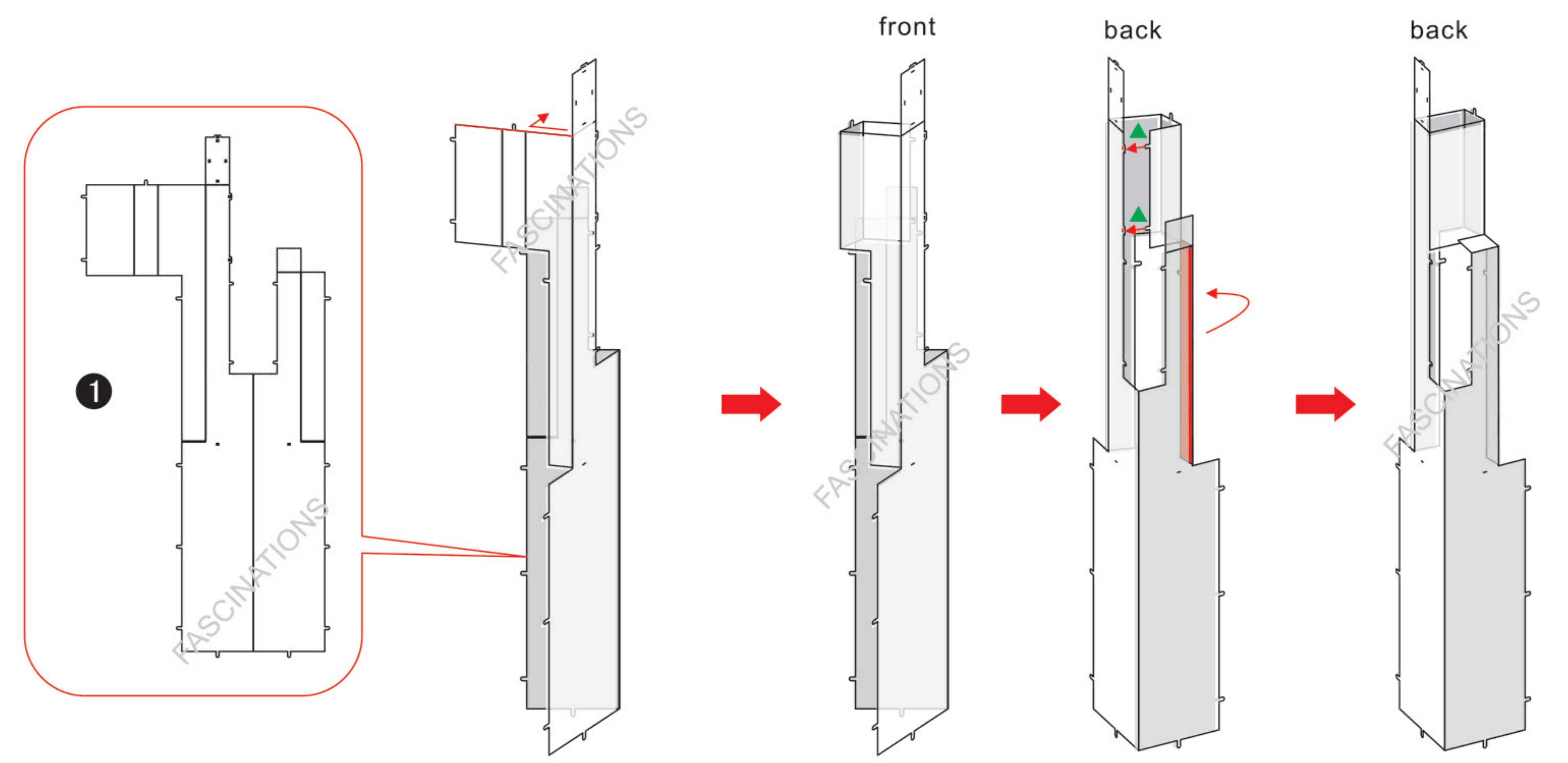
METAL SHEET



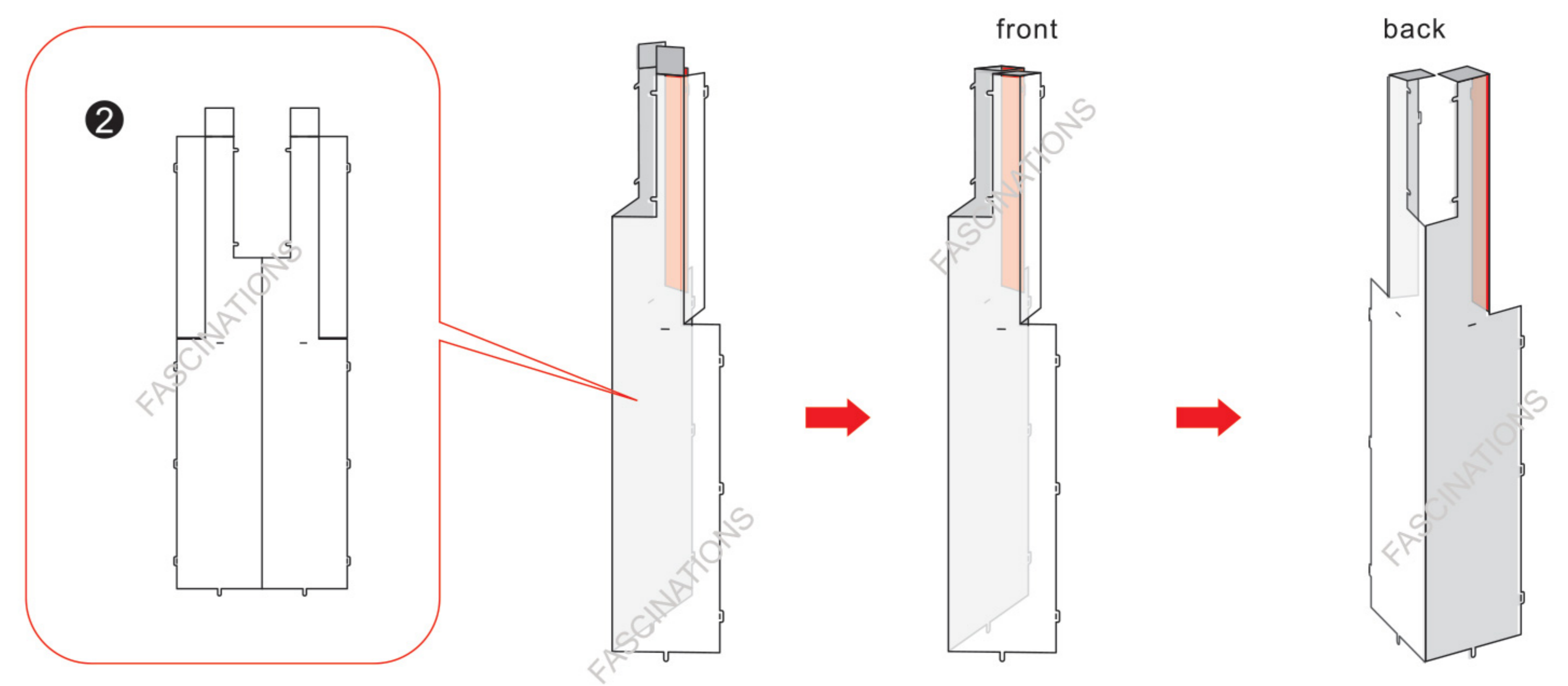
! In order to avoid possible injury from sharp edges, please carefully discard the metal sheet after parts have been removed.

ASSEMBLY STEPS

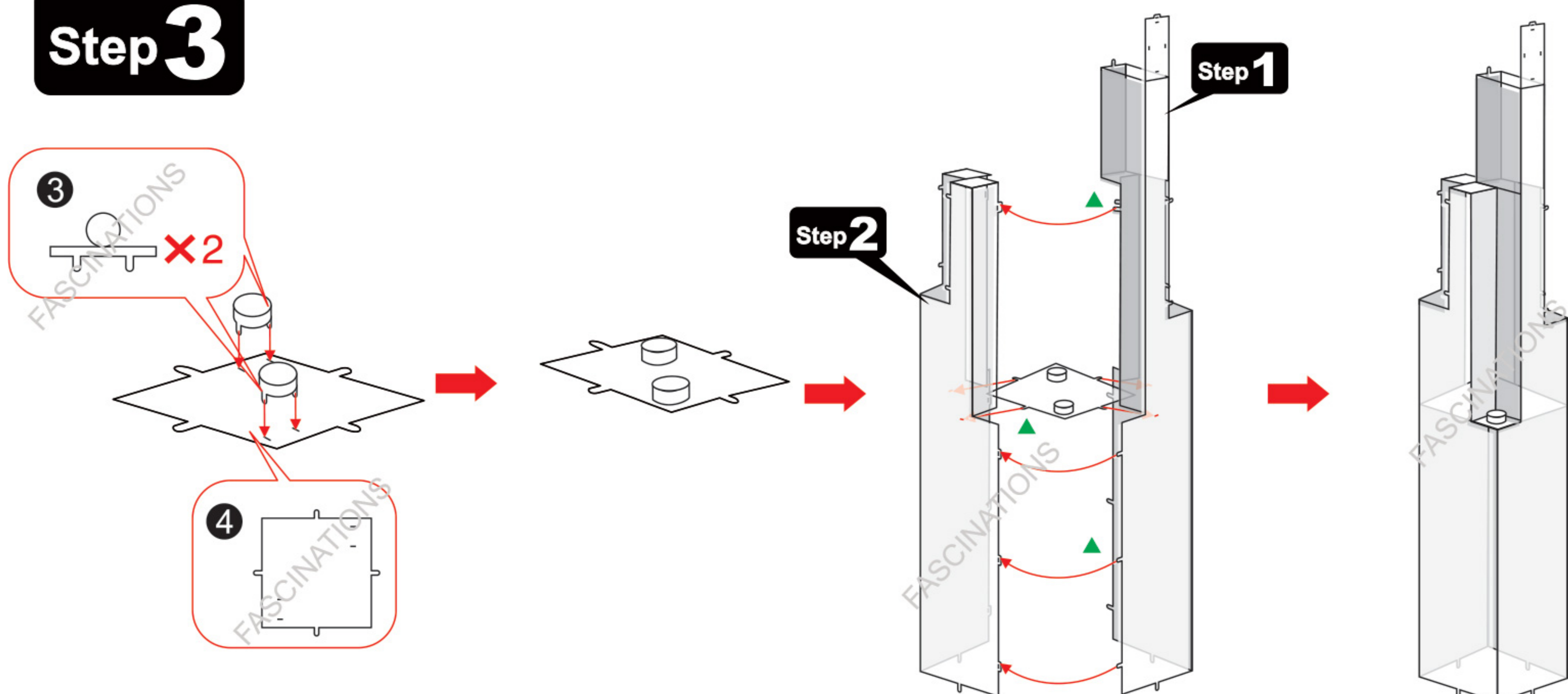
Step 1



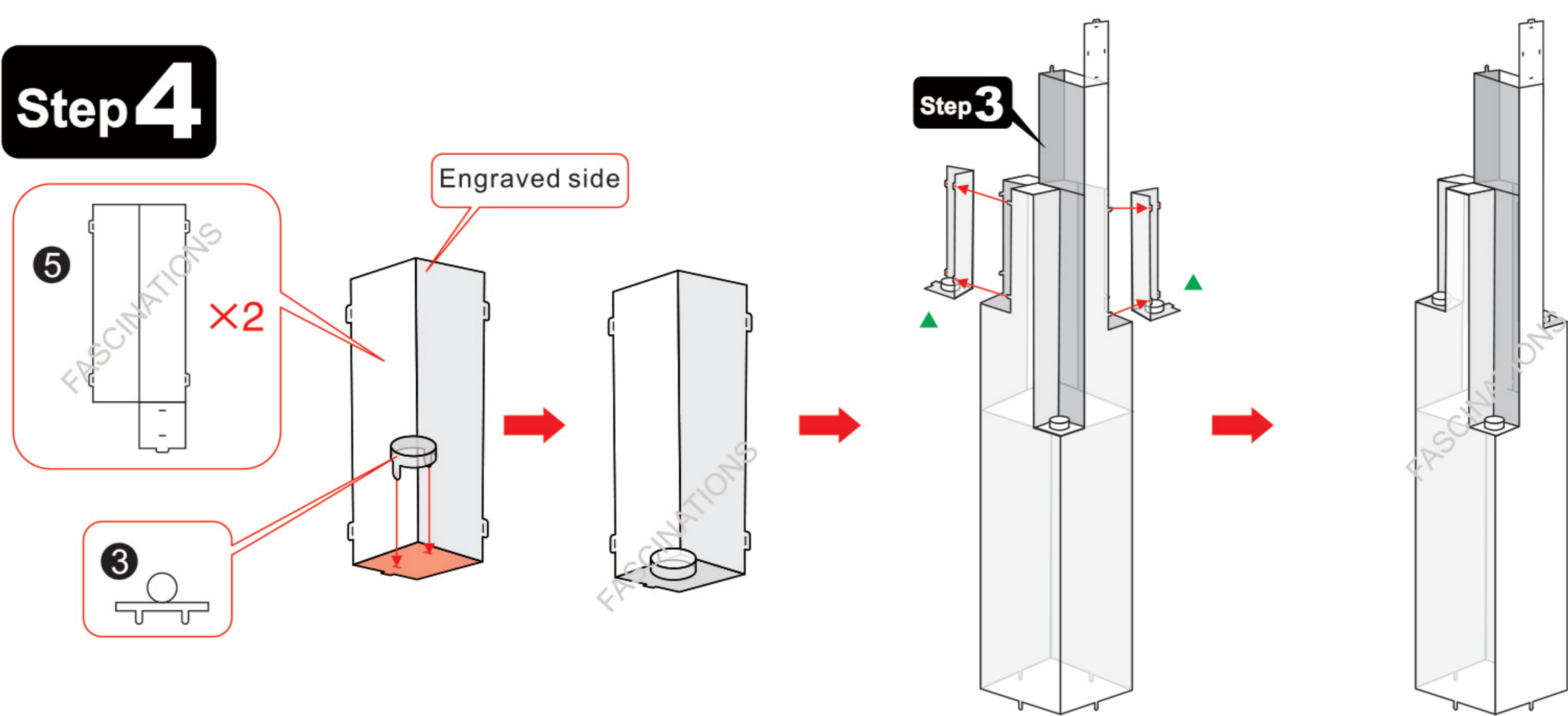
Step 2



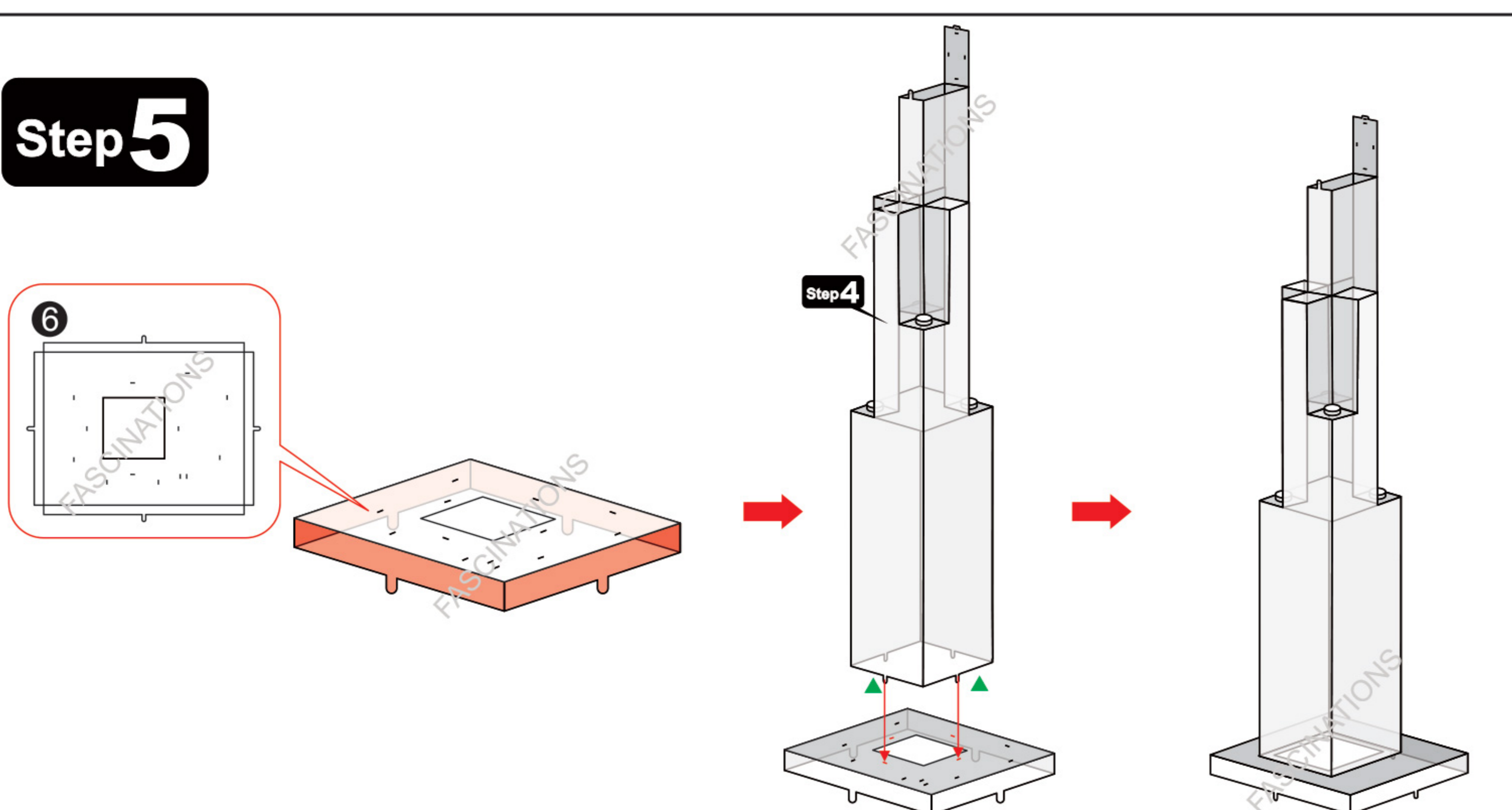
Step 3



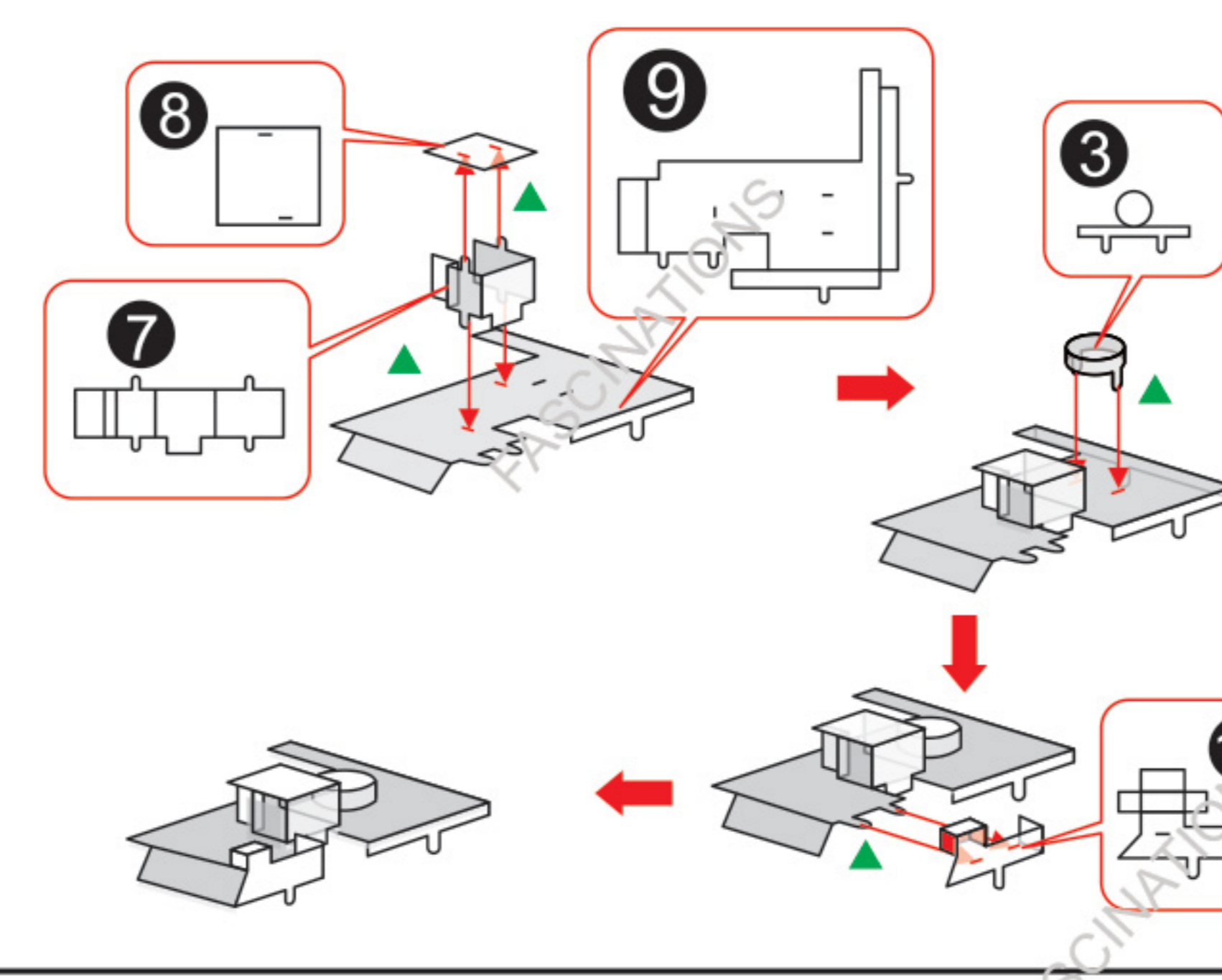
Step 4



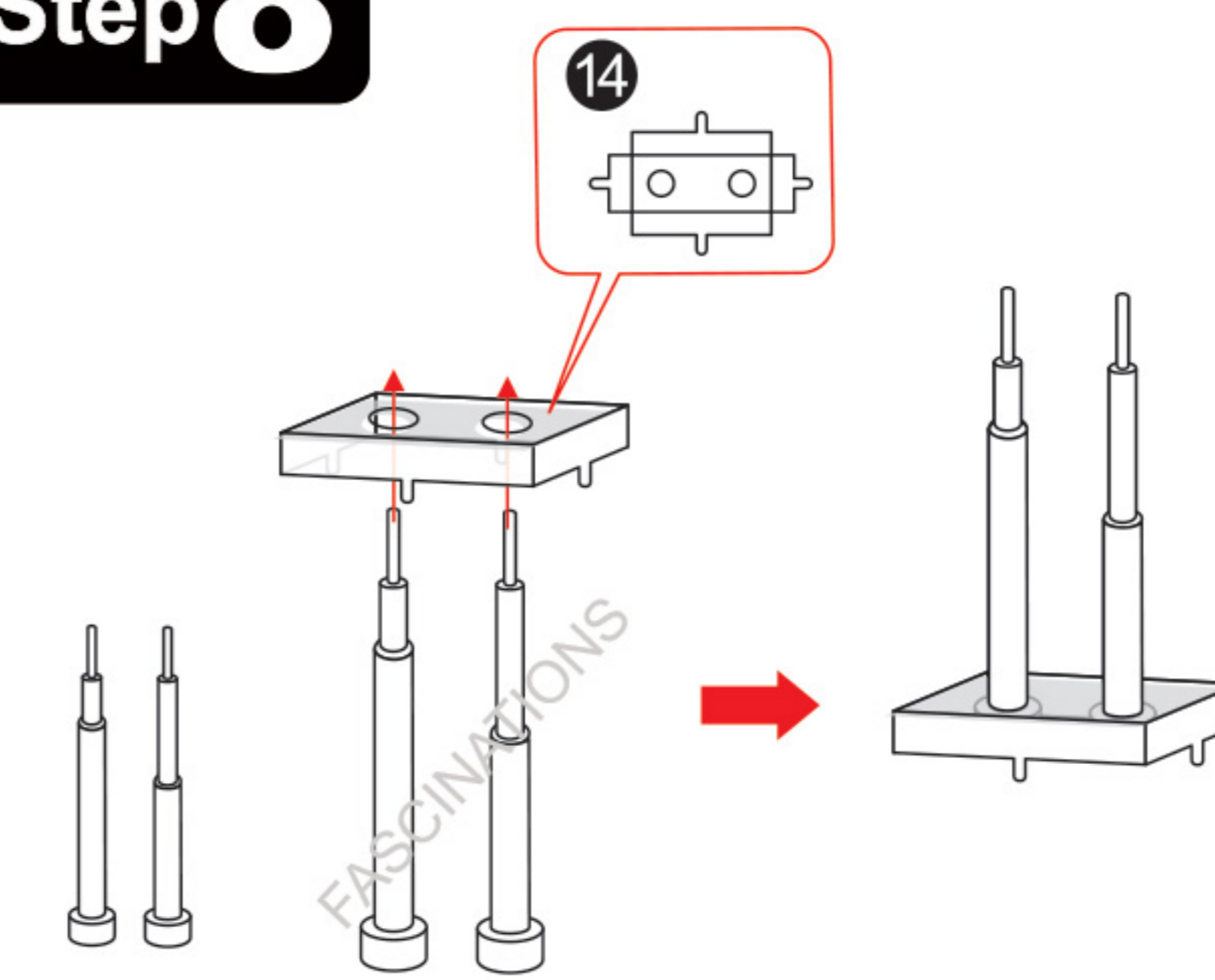
Step 5



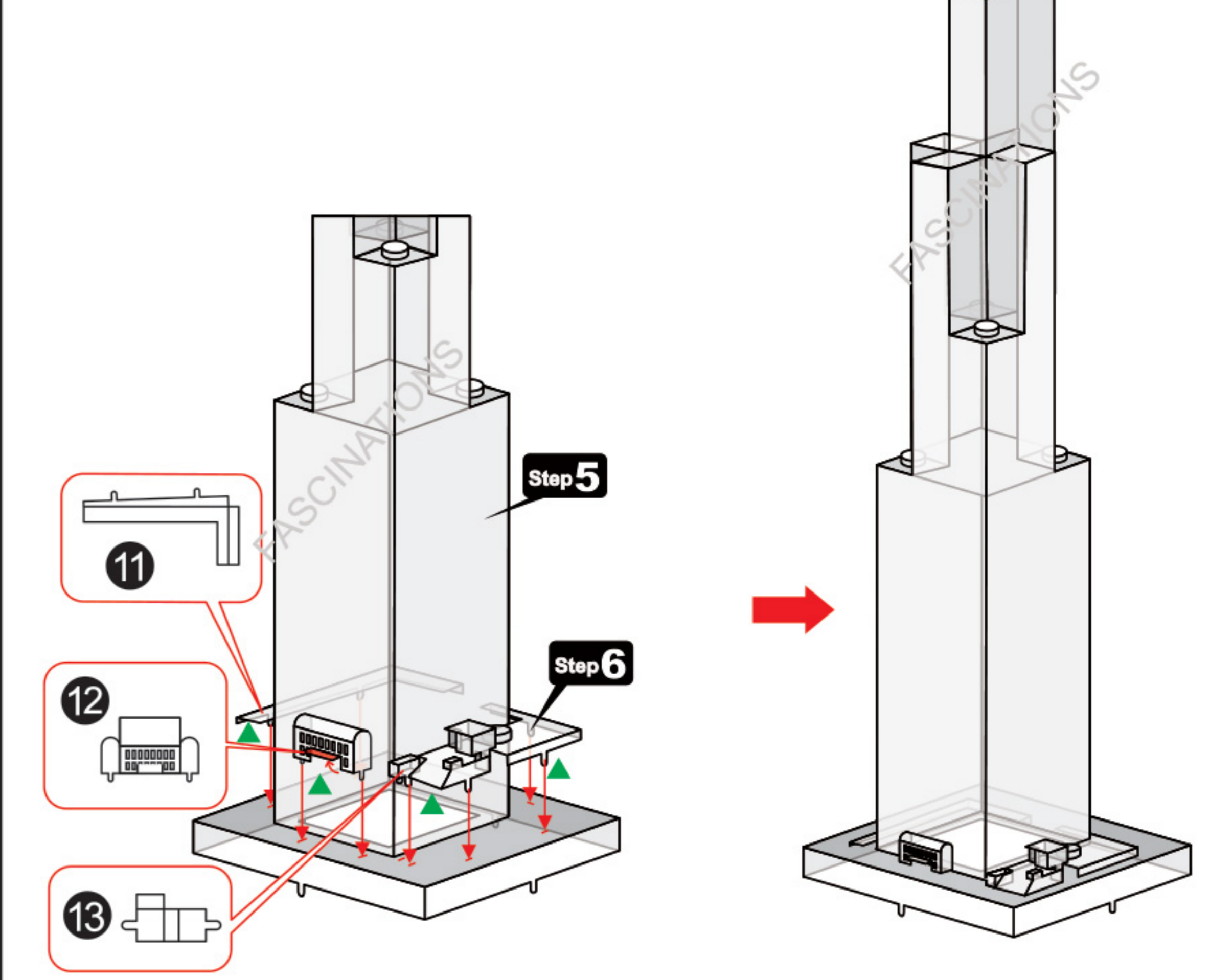
Step 6



Step 8



Step 7



Step 9

