

Space Needle  
Item No. MMS014



It is highly recommended that you visit [www.metalearth.com/360/mms014](http://www.metalearth.com/360/mms014) to see the completed model before assembling your own

**Legends:**

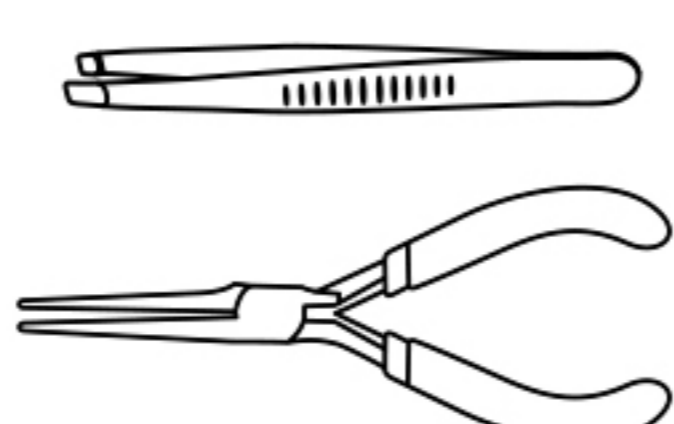
- Engraved side
- Non-engraved side
- Attention point
- Insert tab and bend 90 degrees
- Insert tab and twist 90 degrees

**Recommended tools:**

-Wire cutters: helpful for taking parts from the metal sheets.

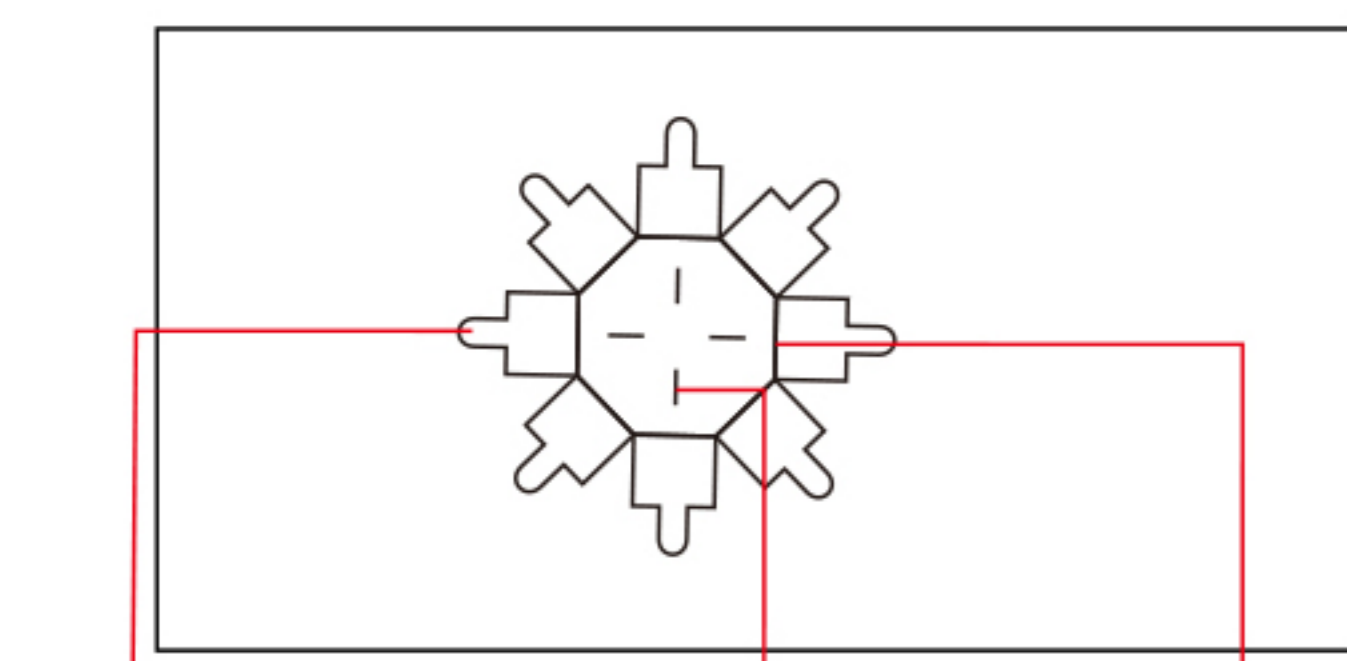


-Tweezers or needle nose pliers: helpful for folding parts, bending and twisting tabs.



**Assembly tip:**

If needed, slightly twist tabs to hold parts together then untwist and bend them down for a nice finish

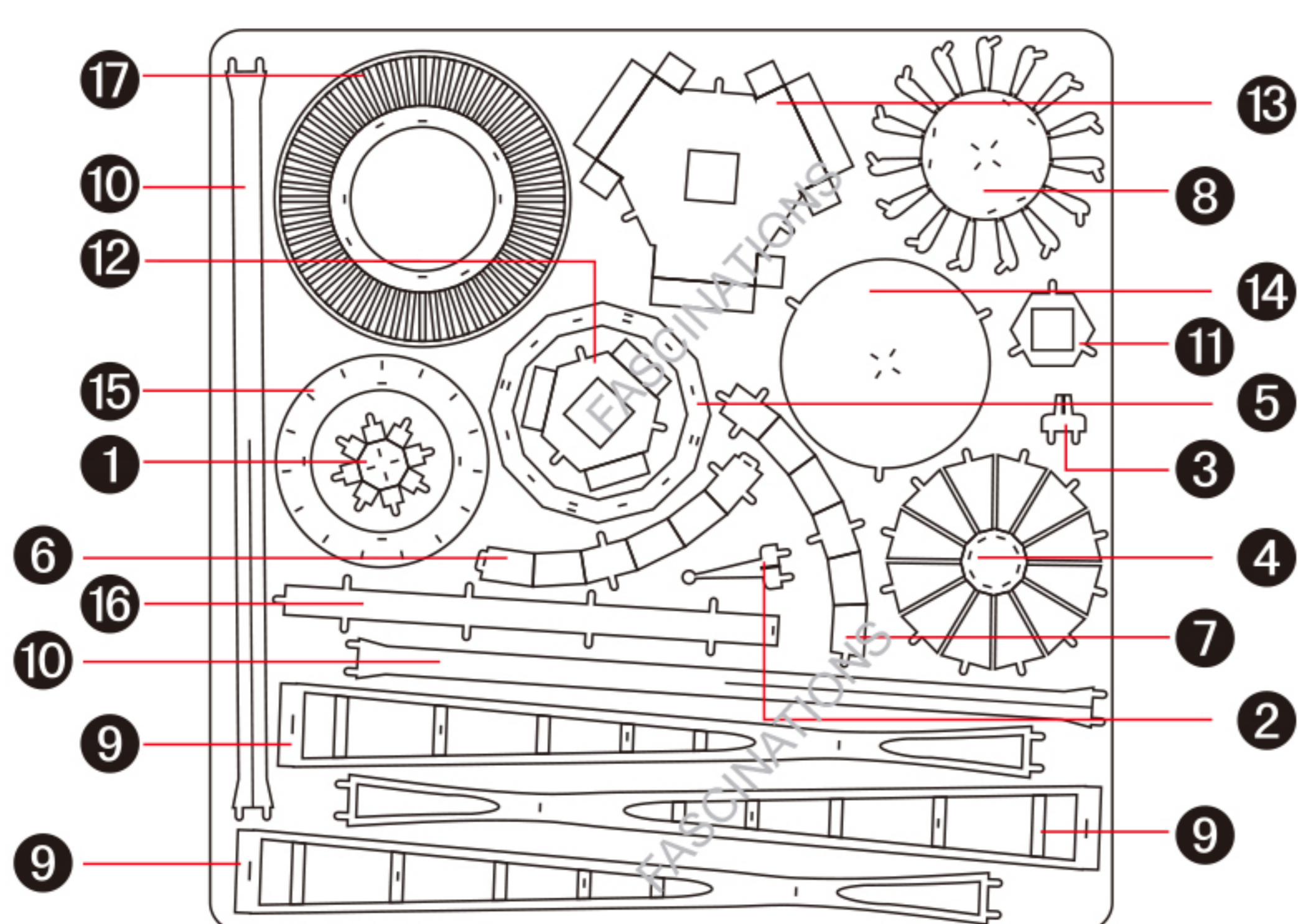


Insertion tabs are inserted and then folded

Insertion holes

Fold lines can be seen as shown here

**Metal sheet**



In order to avoid possible injury from sharp edges, please carefully discard the metal sheet after parts have been removed

Assembly Flow Chart

