

Space Shuttle Atlantis
Item No. MMS015



It is highly recommended that you visit www.metalearth.com/360/mms015 to see the completed model before assembling your own

Legends:

- E** Engraved side
- NE** Non-engraved side
- Attention point**
- Insert tab and bend 90 degrees**
- Insert tab and twist 90 degrees**

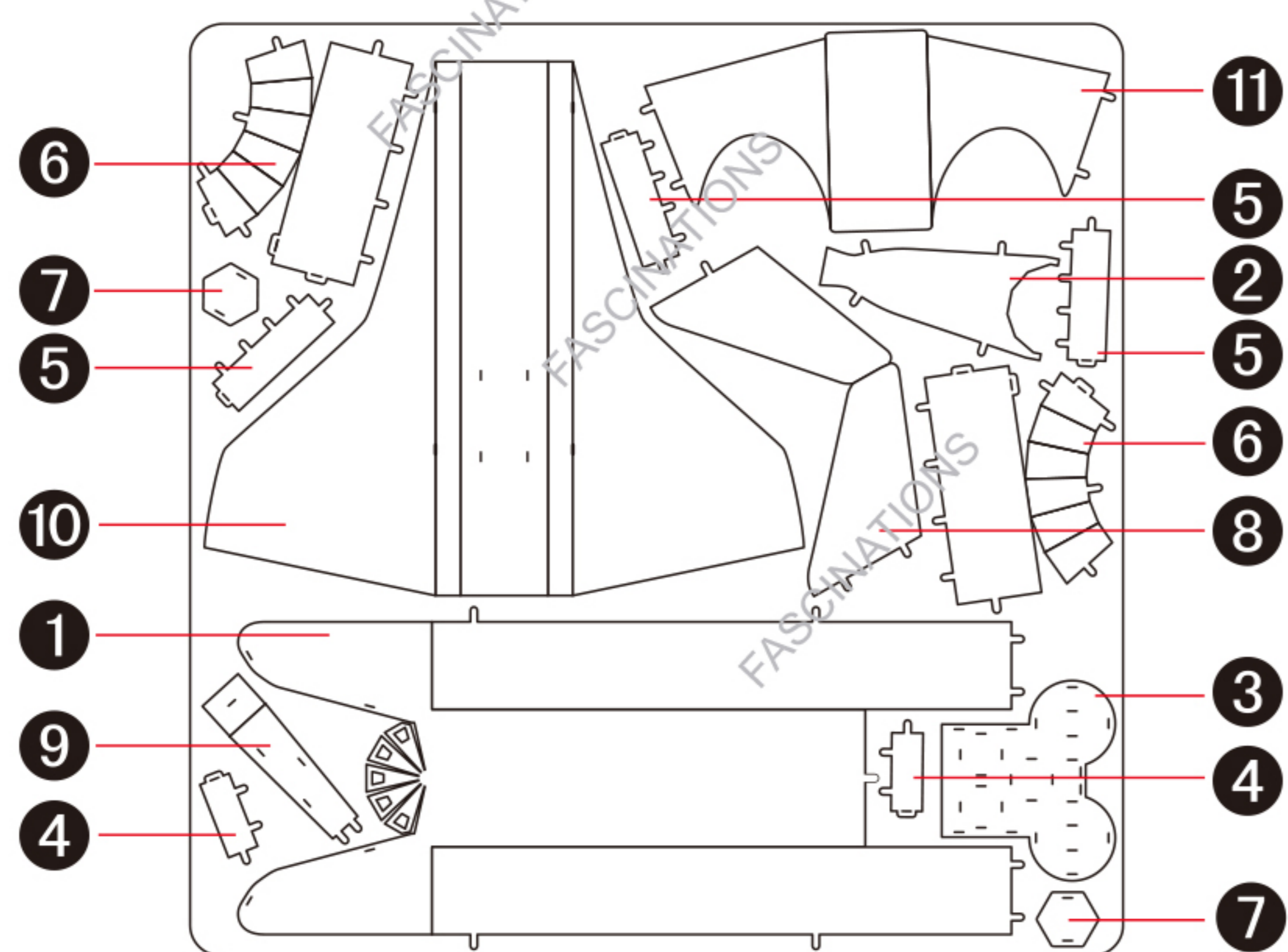
Recommended tools:

- Wire cutters: helpful for taking parts from the metal sheets.
- Tweezers or needle nose pliers: helpful for folding parts, bending and twisting tabs.

Assembly tip:
If needed, slightly twist tabs to hold parts together then untwist and bend them down for a nice finish

Insertion tabs are inserted and then folded
Insertion holes
Fold lines can be seen as shown here

Metal sheet



! In order to avoid possible injury from sharp edges, please carefully discard the metal sheet after parts have been removed

Assembly Flow Chart

