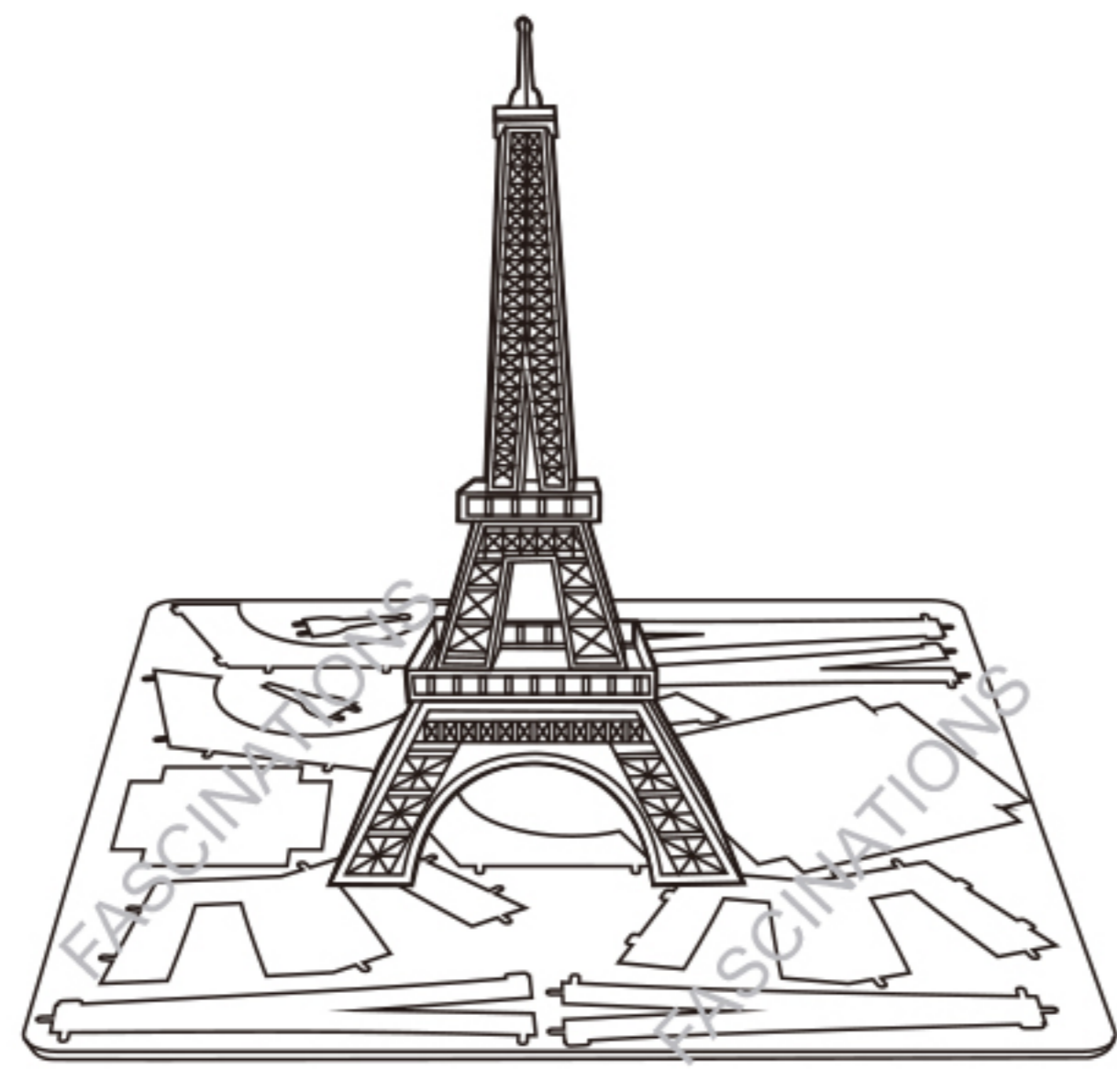


# Metal Earth

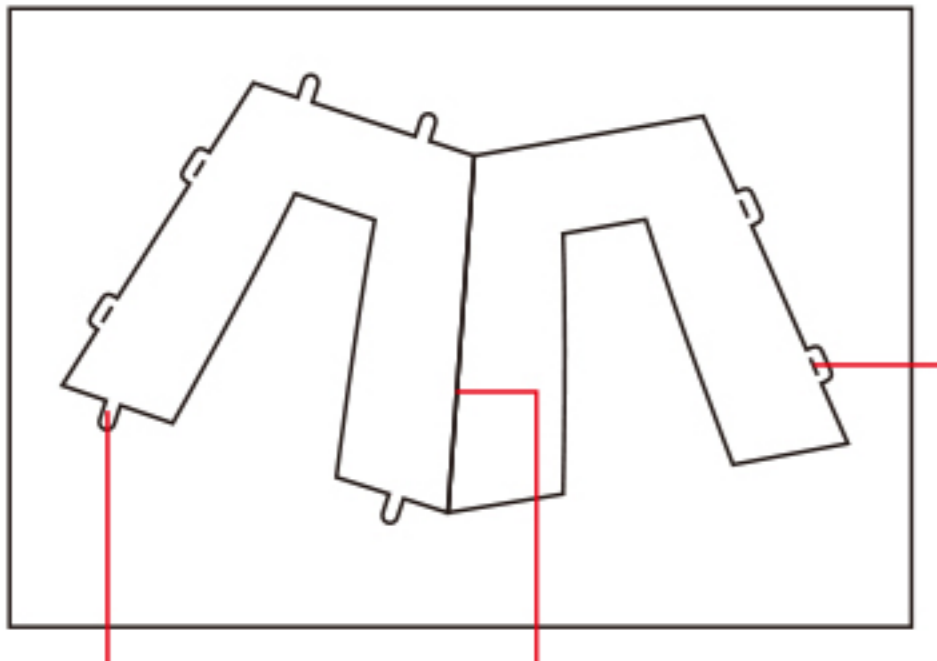
3D METAL MODEL KITS



Eiffel Tower  
Item No. MMS016



It is highly recommended that you visit [www.metalearth.com/360/mms016](http://www.metalearth.com/360/mms016) to see the completed model before assembling your own



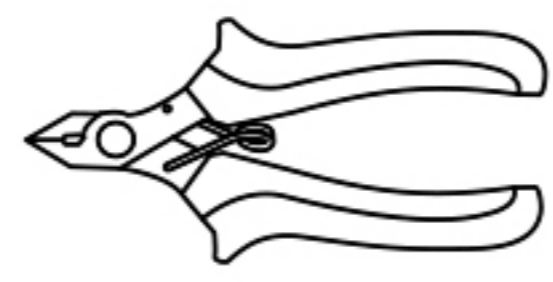
Insertion tabs are inserted and then folded  
Fold lines can be seen as shown here  
Insertion holes

**Legends:**

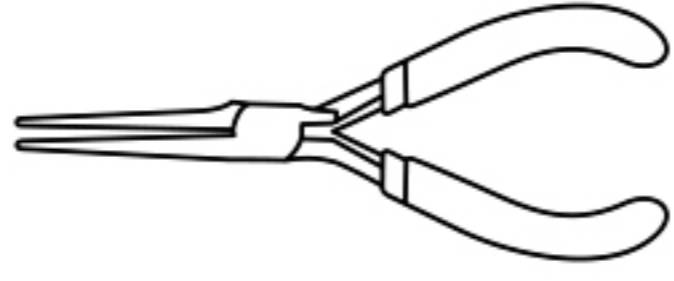
- E** Engraved side
- NE** Non-engraved side
- Attention point
- Insert tab and bend 90 degrees
- Insert tab and twist 90 degrees

**Recommended tools:**

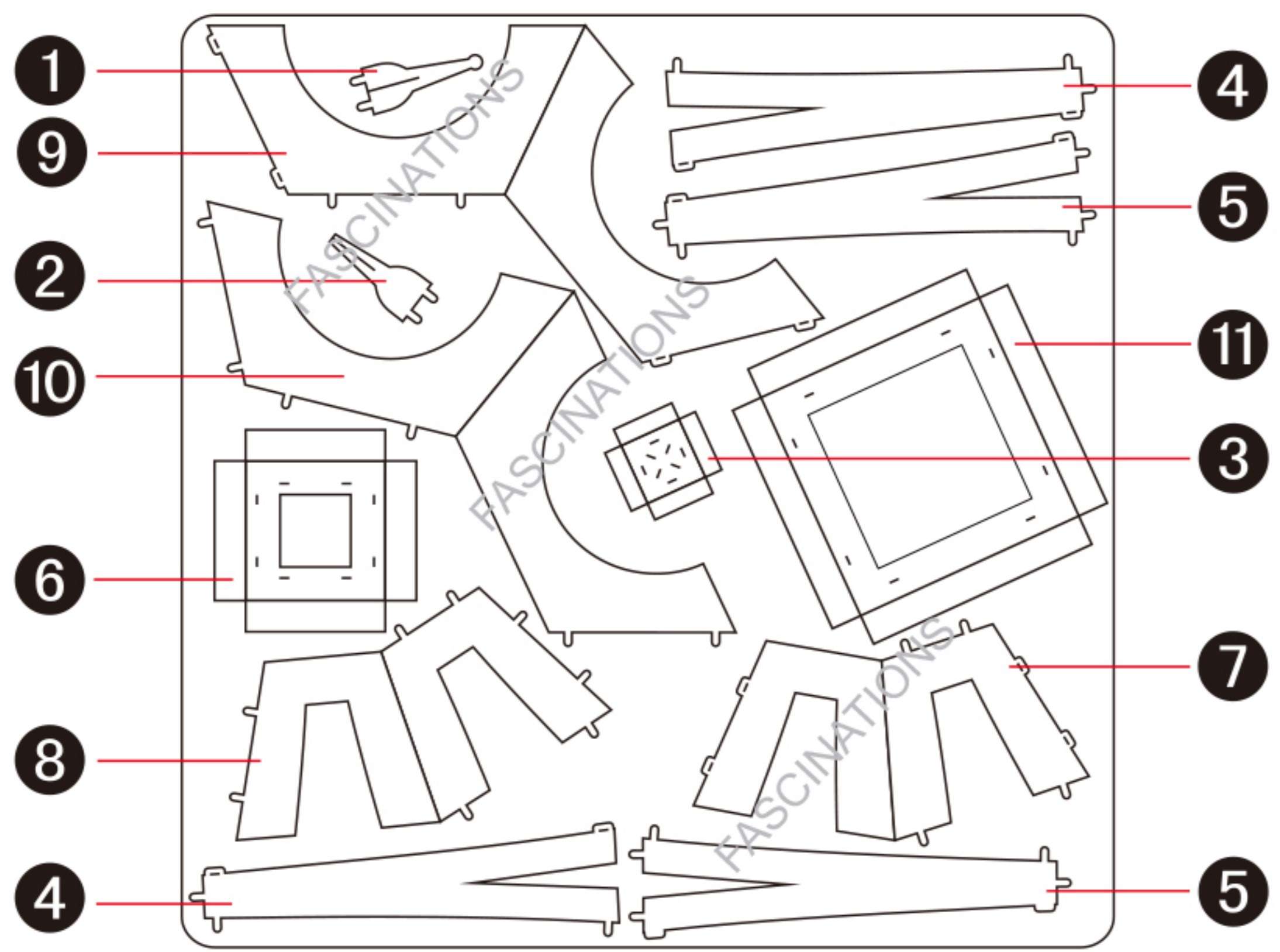
-Wire cutters: helpful for taking parts from the metal sheets.



-Tweezers or needle nose pliers: helpful for folding parts, bending and twisting tabs.



**Metal sheet**



In order to avoid possible injury from sharp edges, please carefully discard the metal sheet after parts have been removed

## Assembly Flow Chart

