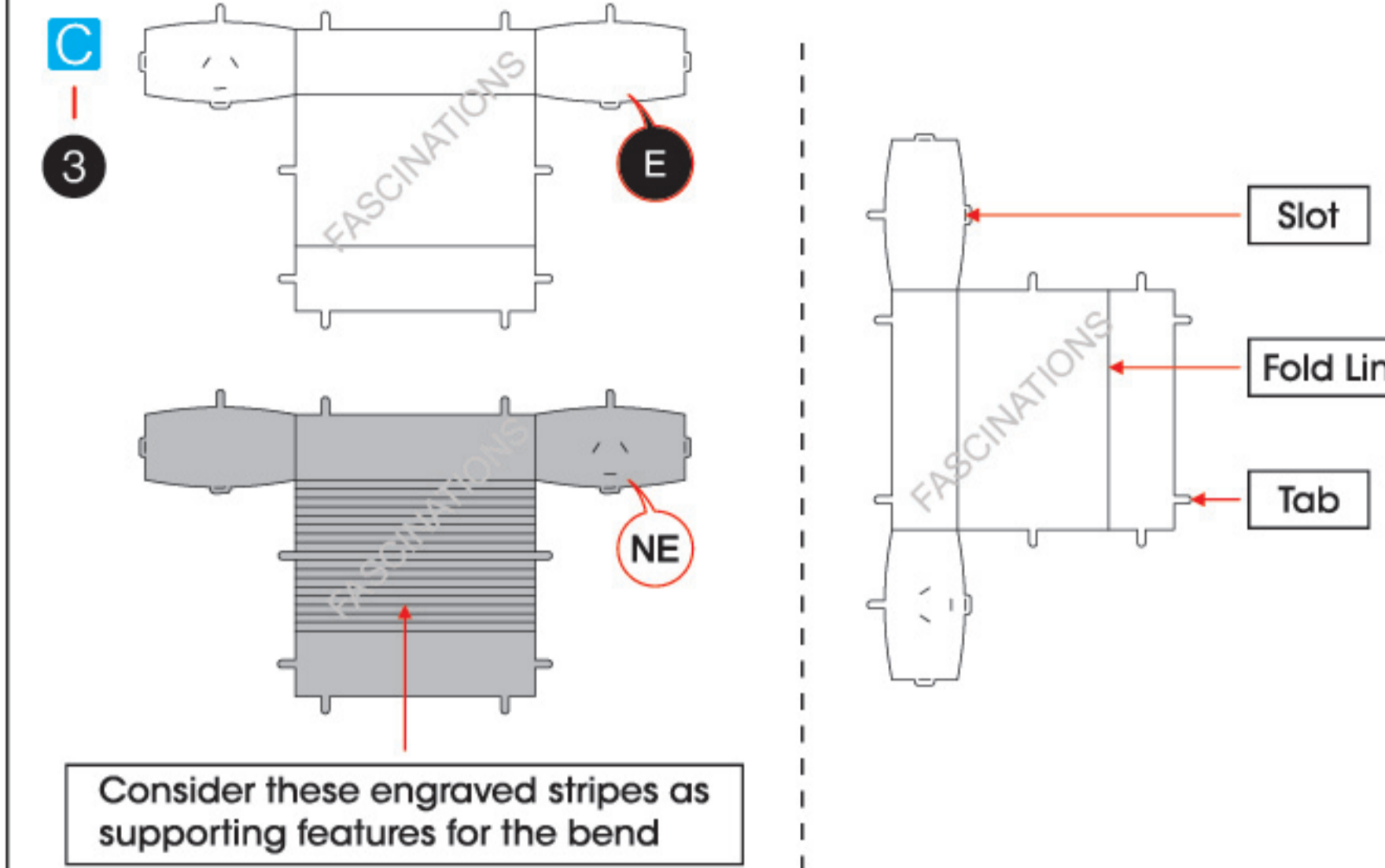


**GRAND PIANO**  
ME1028



It is highly recommended that you visit [www.metalearth.com/360/ME1028](http://www.metalearth.com/360/ME1028) to see the completed model before assembling your own

## TO CREATE THE BEST CONNECTIONS



### Legends:

- E** Engraved / Color side
- NE** Non - engraved / Silver side
- Attention point
- Insert tab and bend 90 degrees
- Insert tab and twist 90 degrees

### Recommended tools:

- Wire cutters: helpful for taking parts from the metal sheets.
- Tweezers or needle nose pliers: helpful for folding parts, bending and twisting tabs.

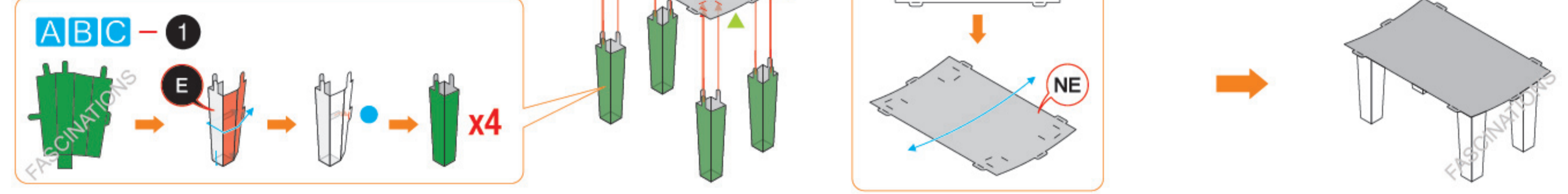
### Assembly tip:

If needed, slightly twist tabs to hold parts together then untwist and bend them down for a nice finish.

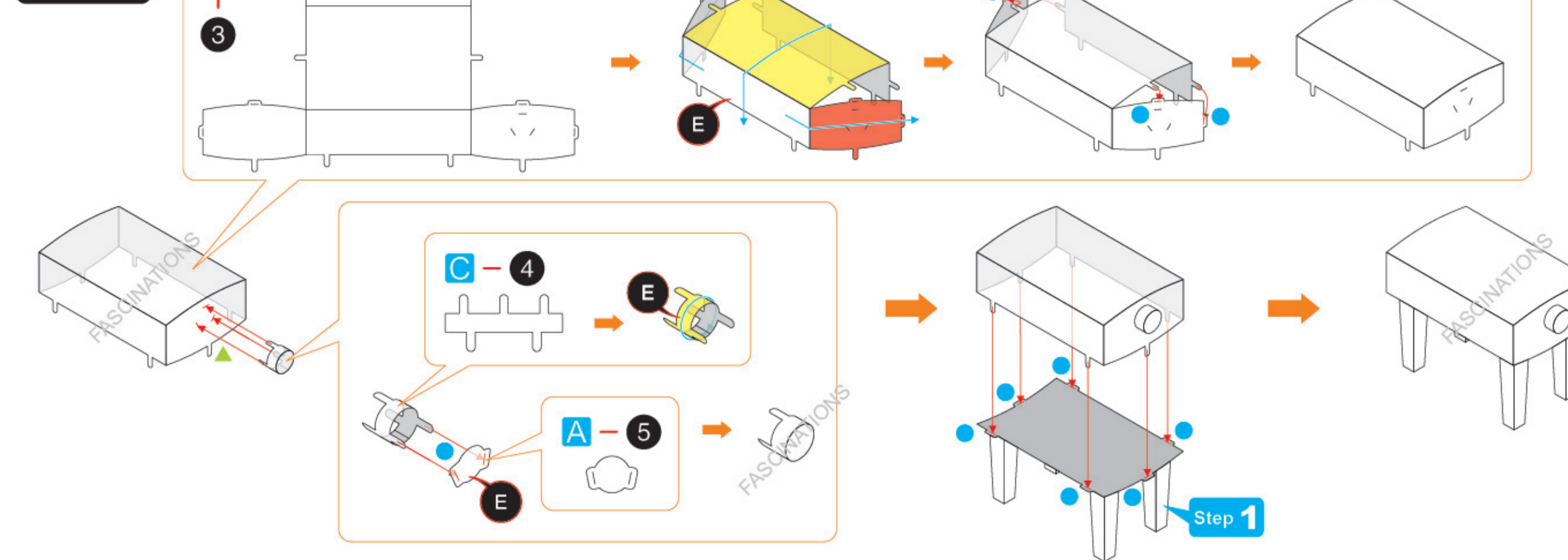
- Yellow areas should be curled
- Red areas should be folded

## ASSEMBLY FLOW CHART

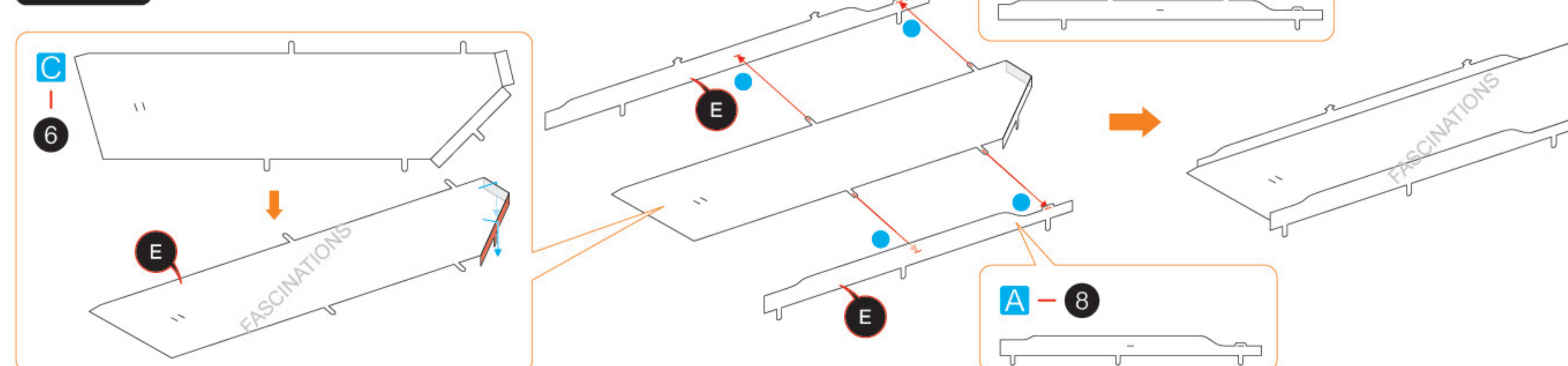
### Step 1



### Step 2

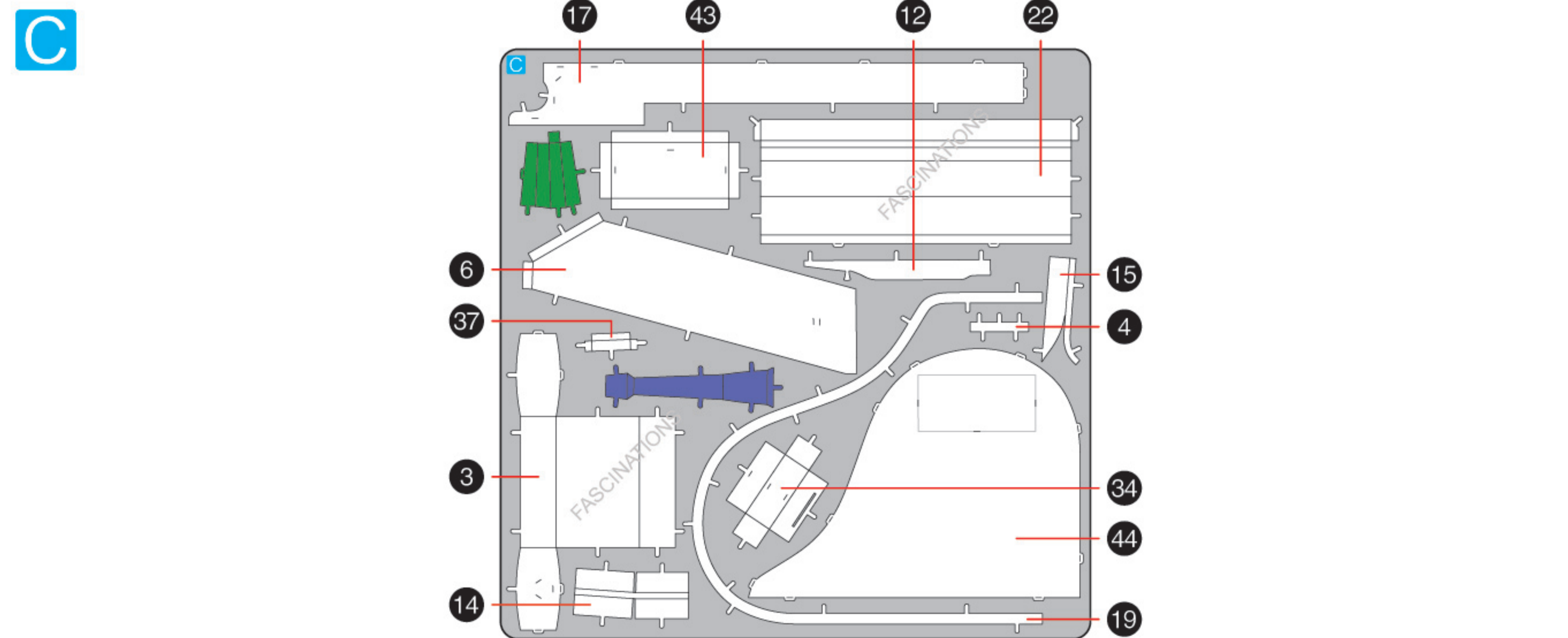
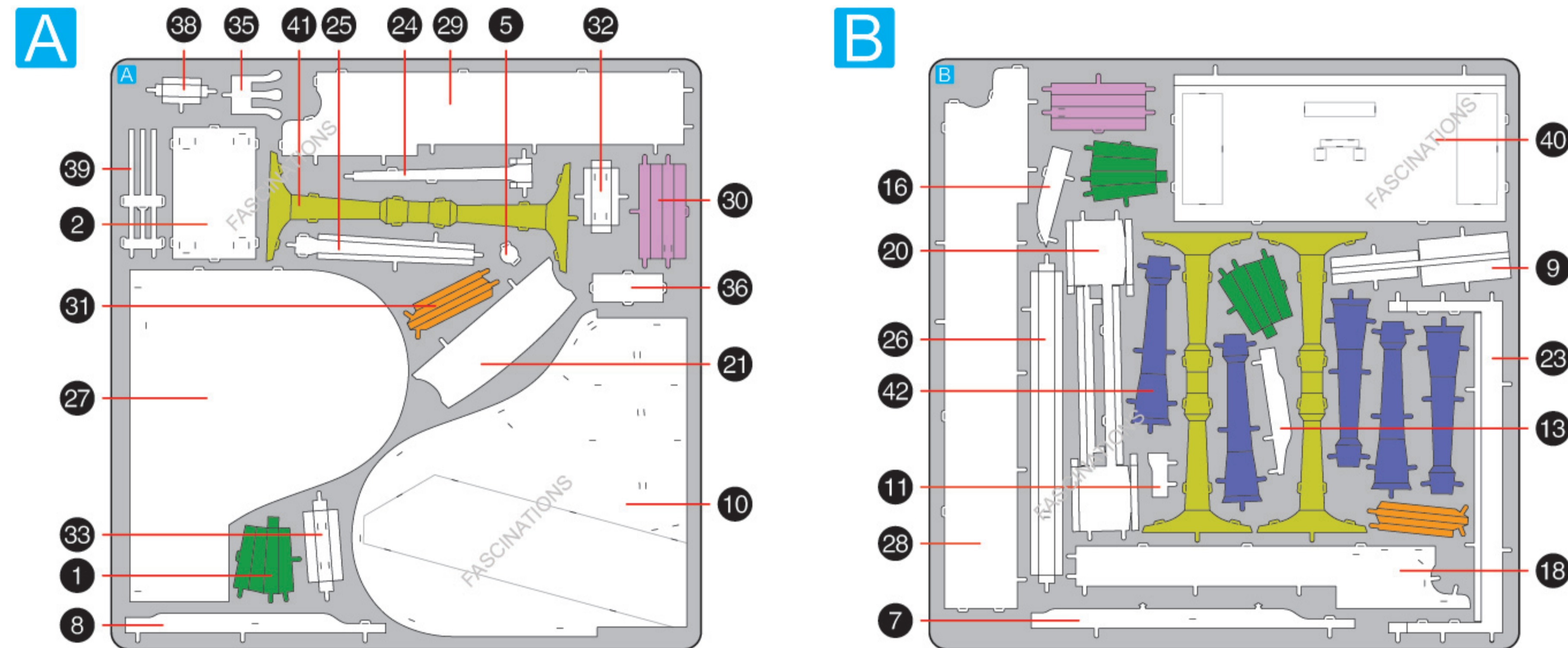


### Step 3



## METAL SHEETS

Parts with same color are duplicates



In order to avoid possible injury from sharp edges, please carefully discard the metal sheets after parts have been removed.

