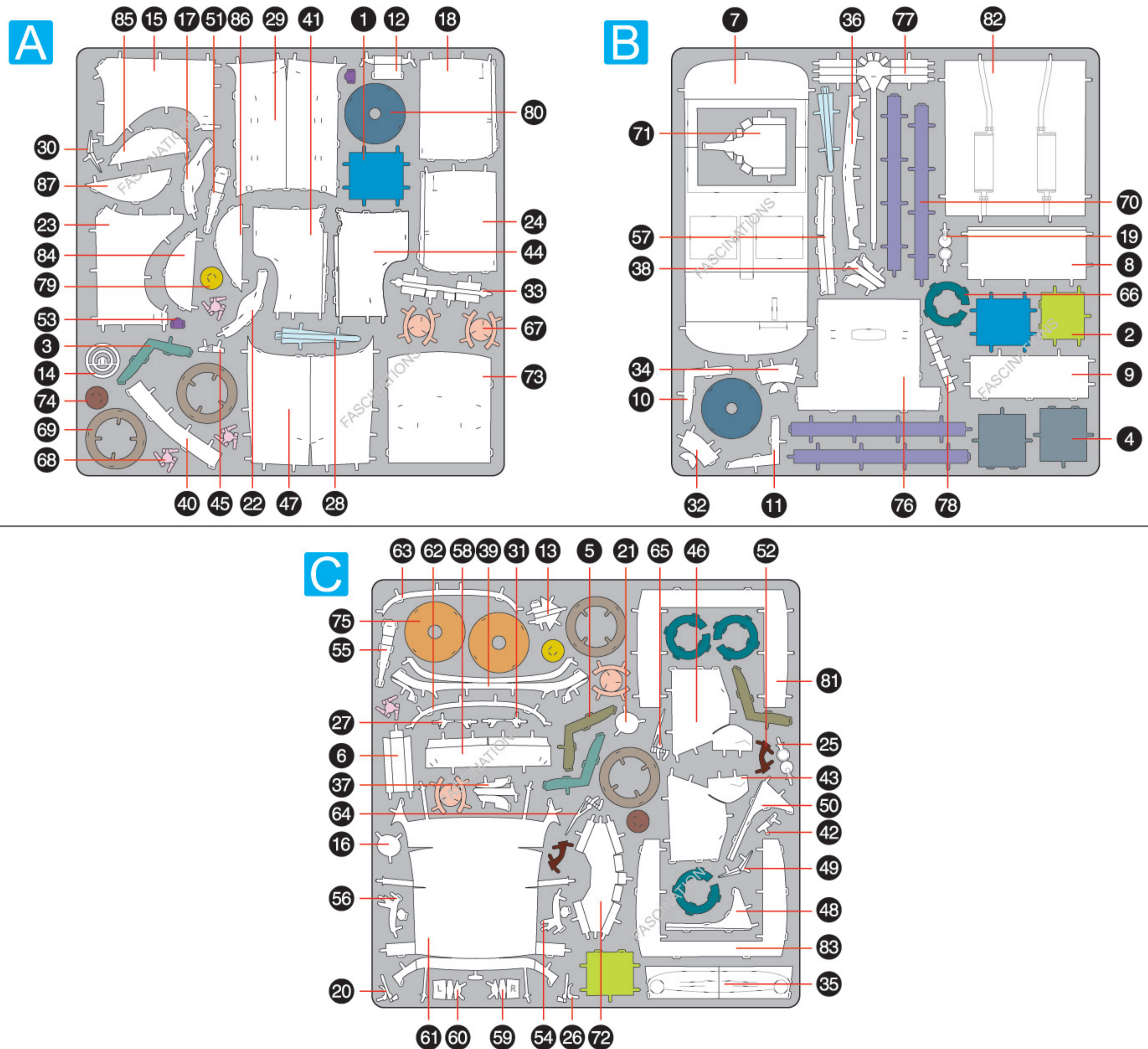


## 1957 CHEVROLET BEL AIR ME1010

It is highly recommended that you visit  
[www.metalearth.com/360/ME1010](http://www.metalearth.com/360/ME1010)  
 to see the completed model before assembling your own

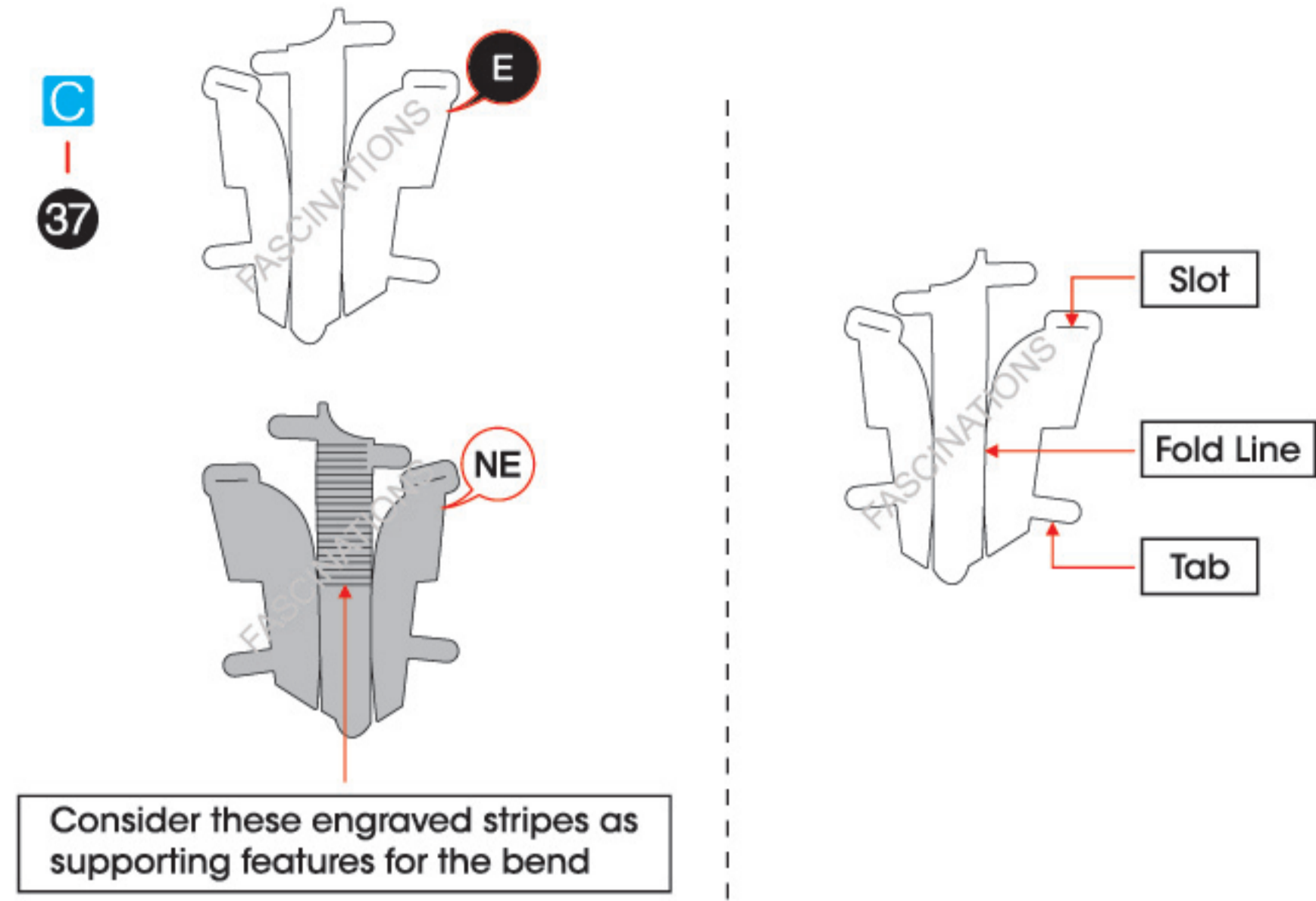


### METAL SHEETS



In order to avoid possible injury from sharp edges, please carefully discard the metal sheets after parts have been removed.

### TO CREATE THE BEST CONNECTIONS



#### Legends:

- E** Engraved/ Color side
- NE** Non - engraved/ Silver side
- Attention point
- Insert tab and bend 90 degrees
- Insert tab and twist 90 degrees

#### Recommended tools:

- Wire cutters: helpful for taking parts from the metal sheets.

- Tweezers or needle nose pliers: helpful for folding parts, bending and twisting tabs.

#### Assembly tip:

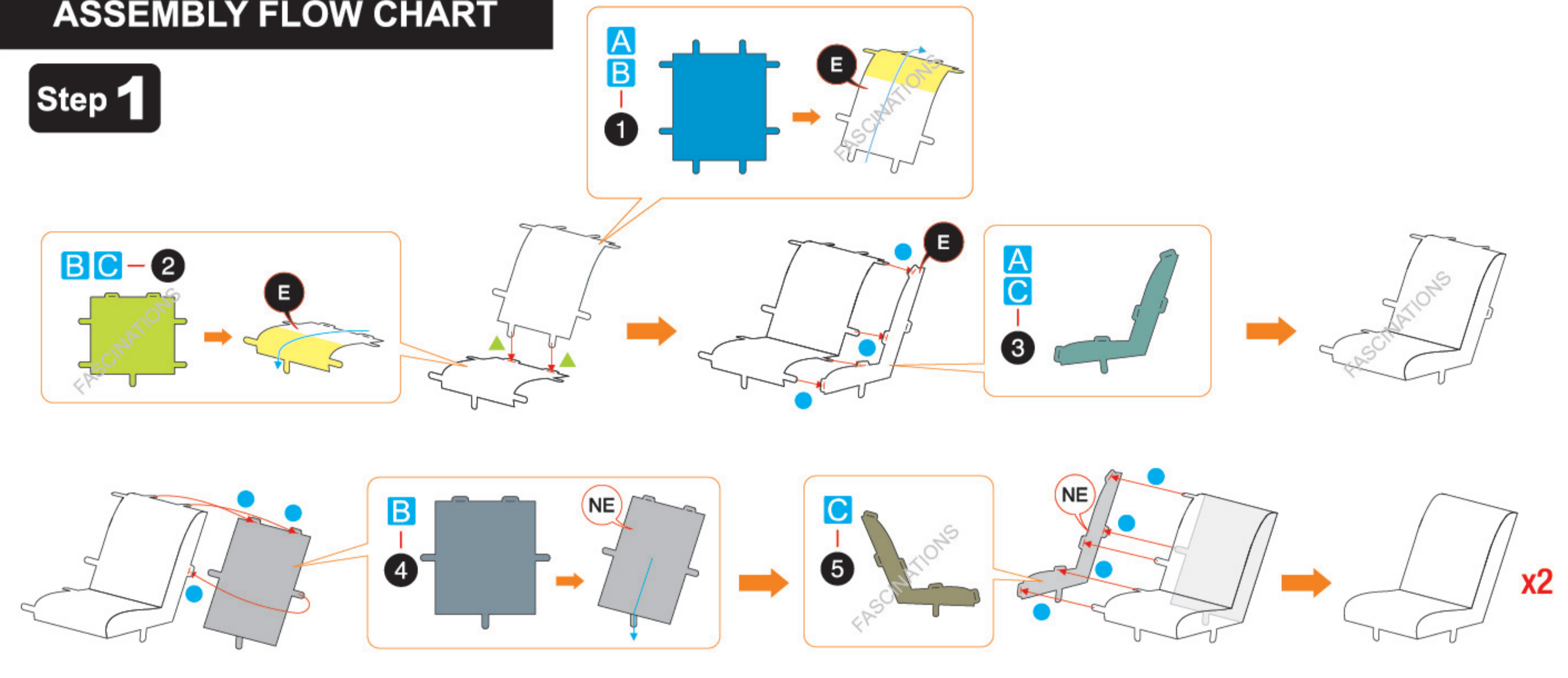
If needed, slightly twist tabs to hold parts together then untwist and bend them down for a nice finish.

Yellow areas should be curled

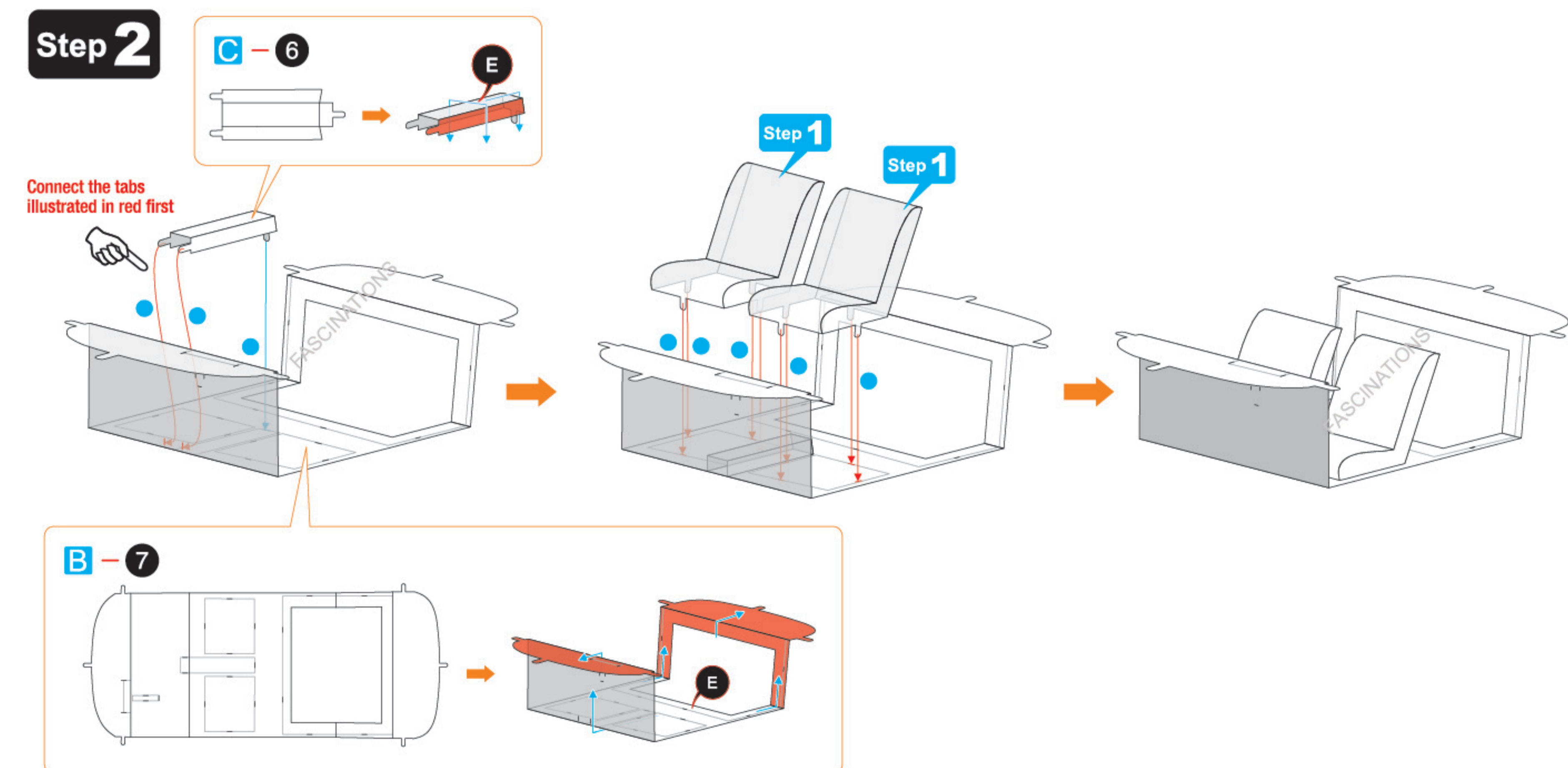
Red areas should be folded

### ASSEMBLY FLOW CHART

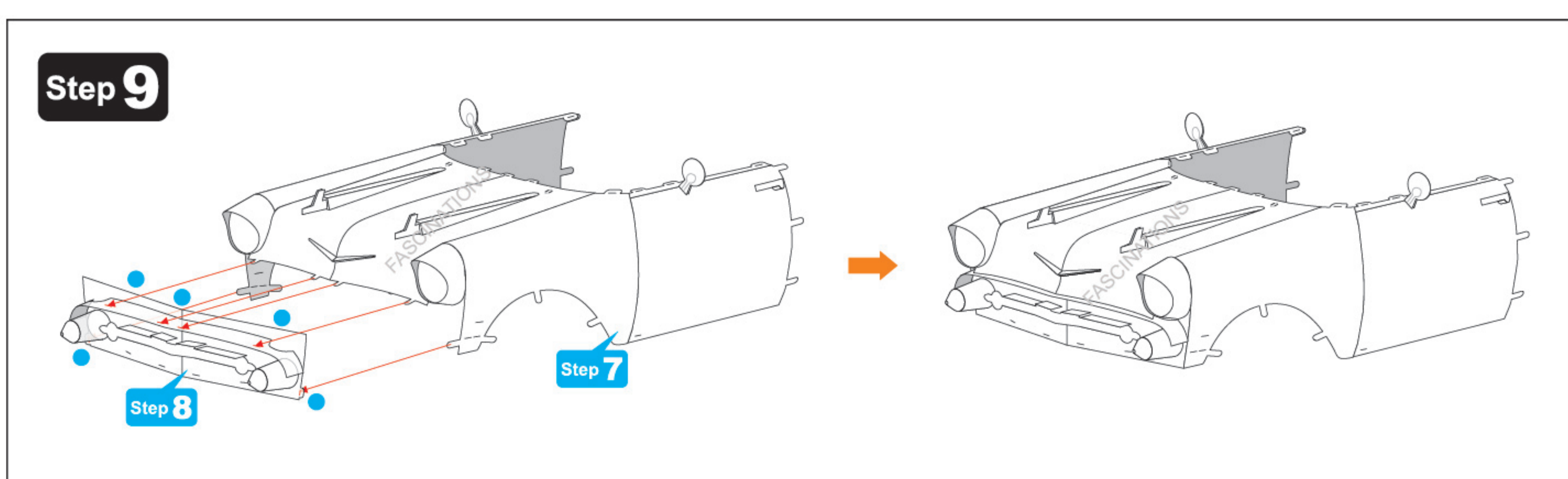
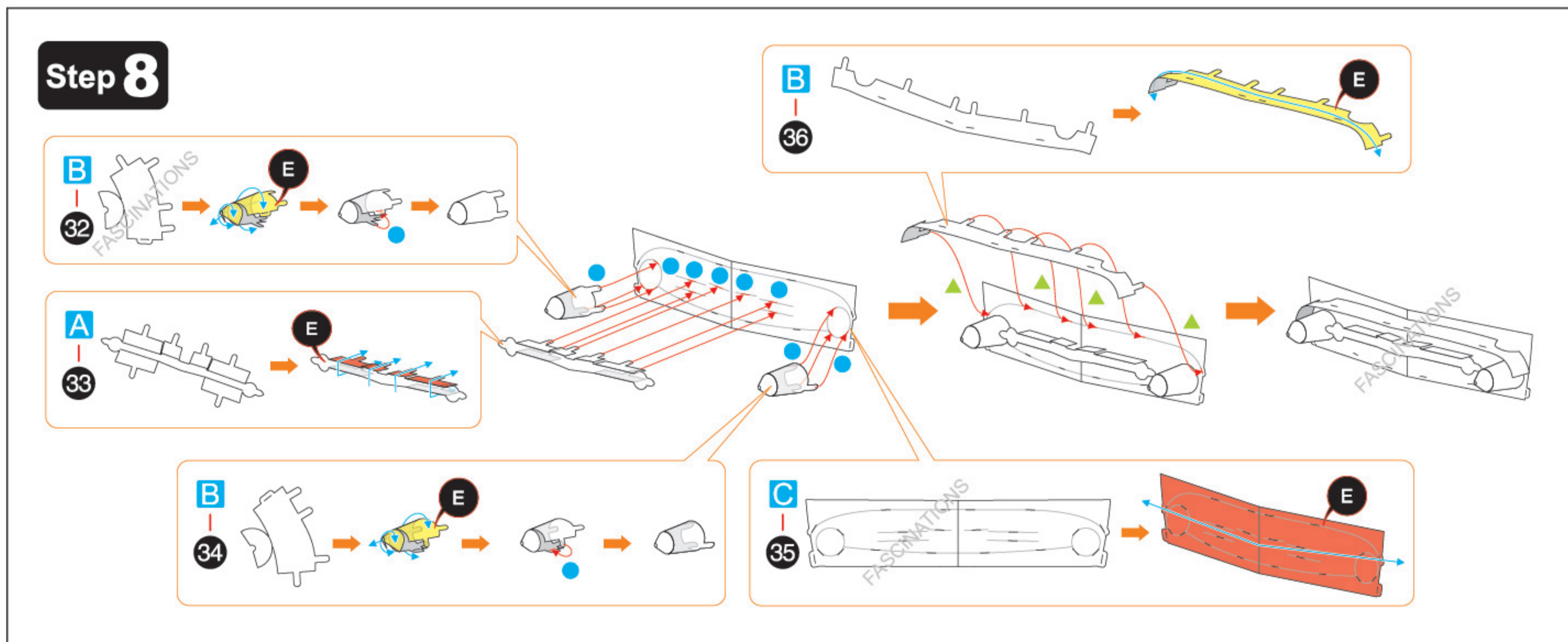
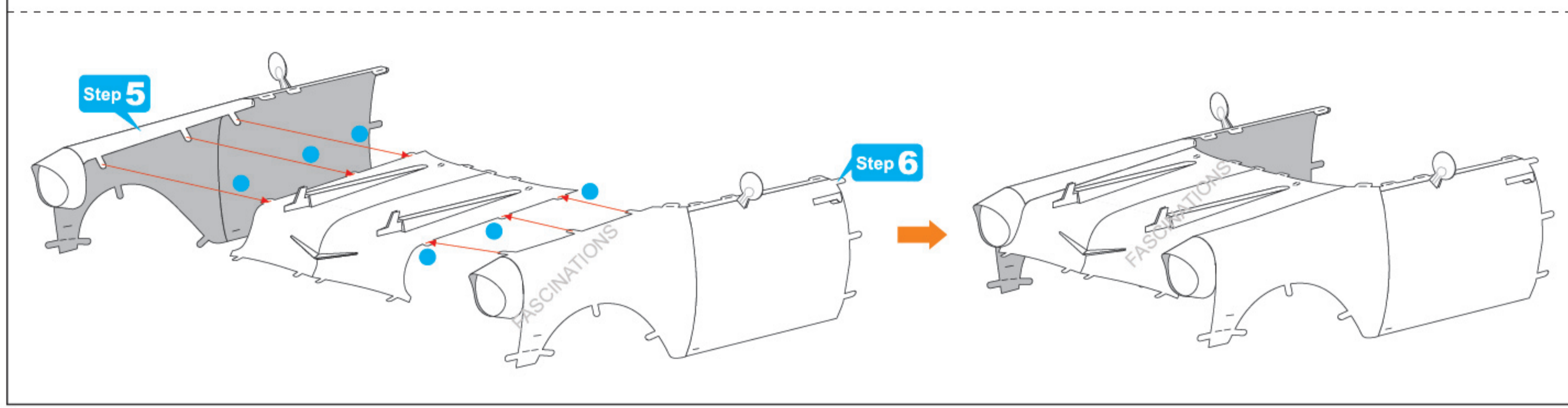
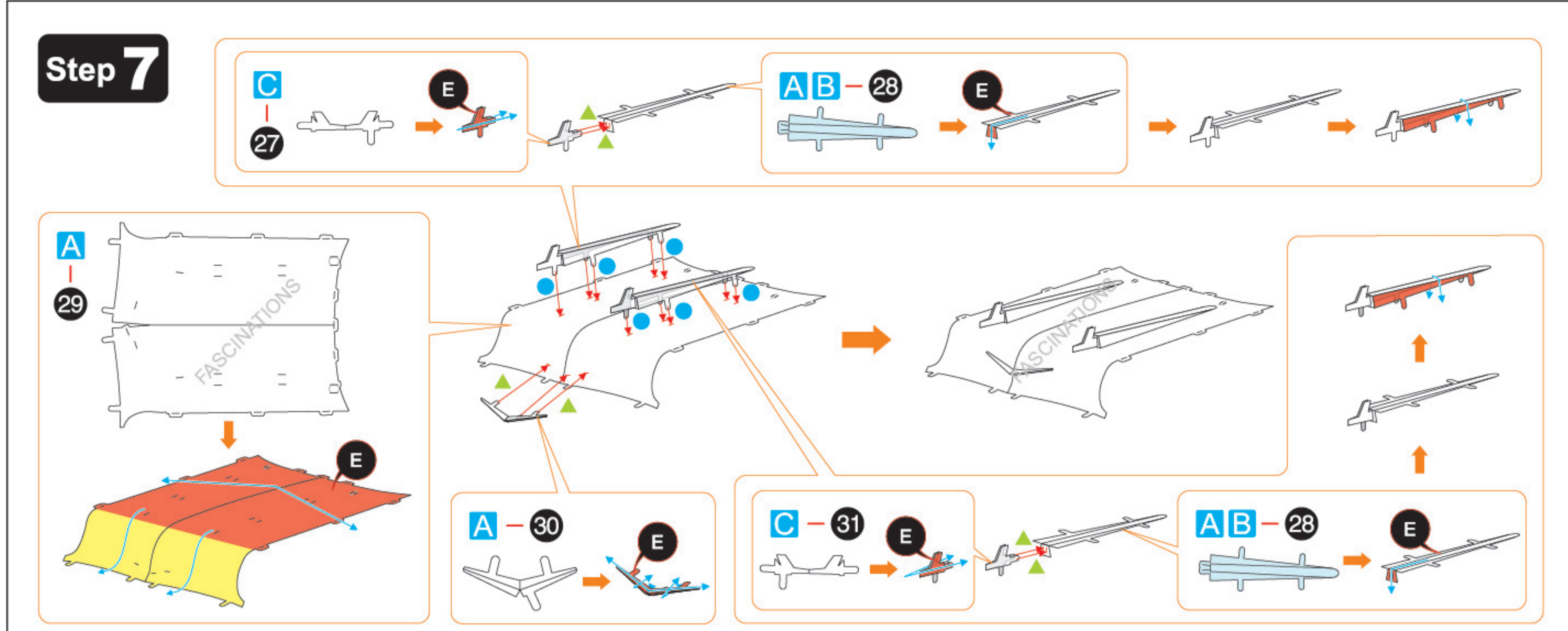
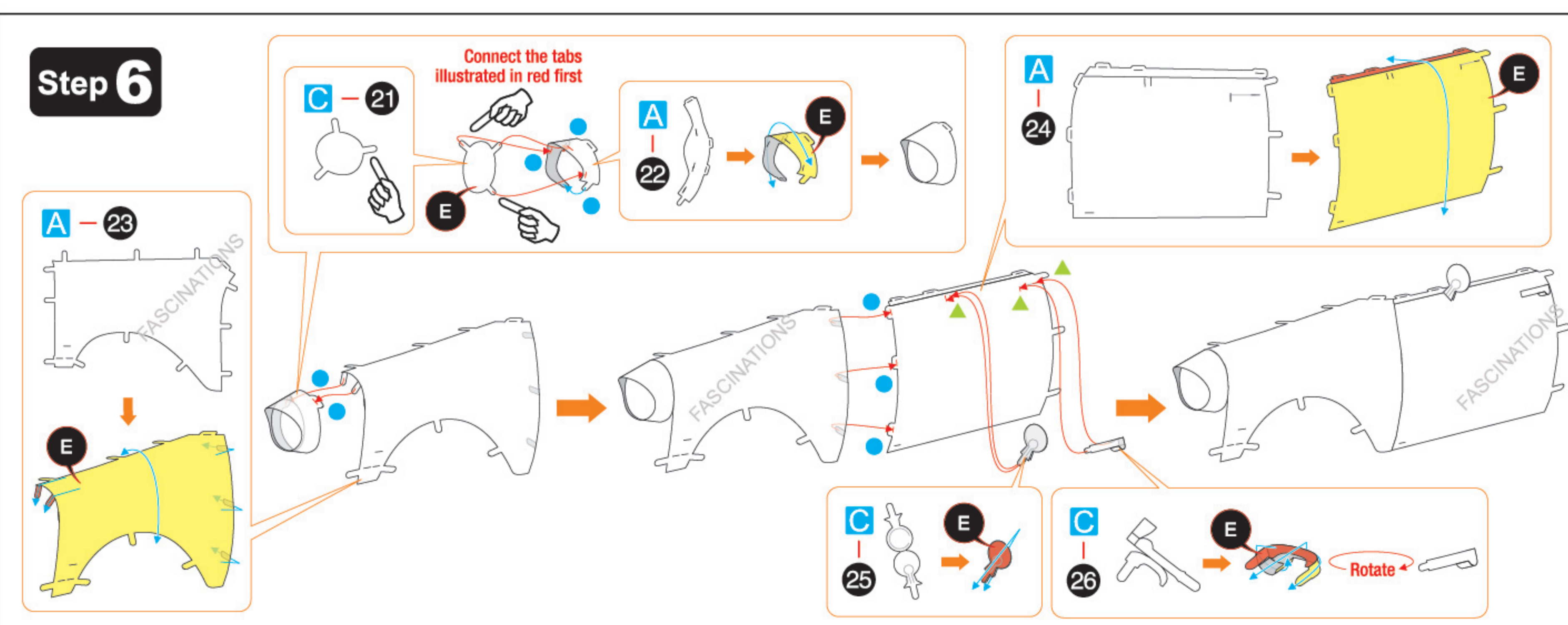
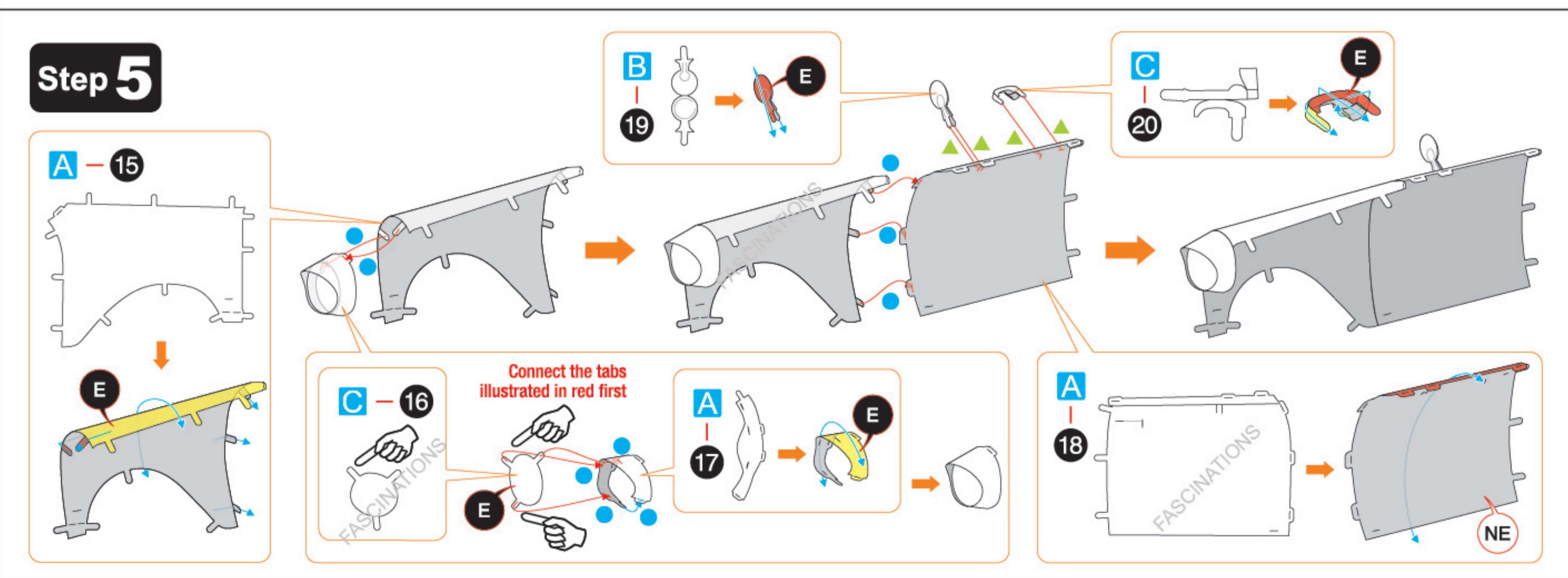
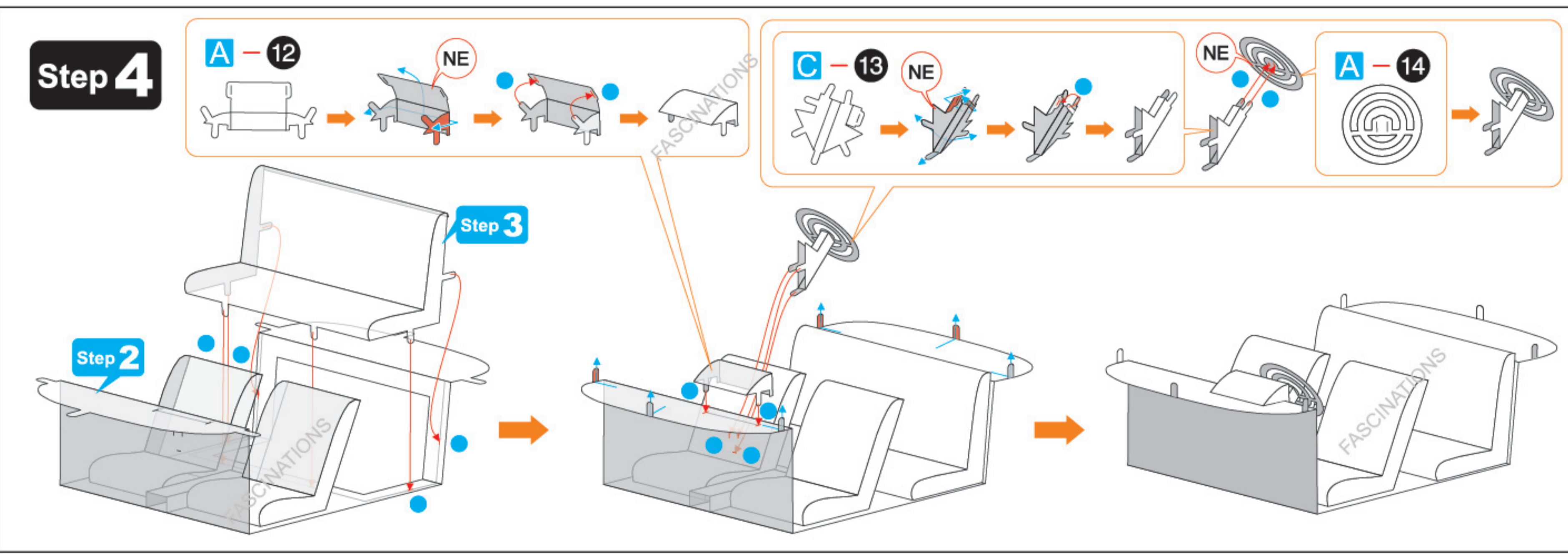
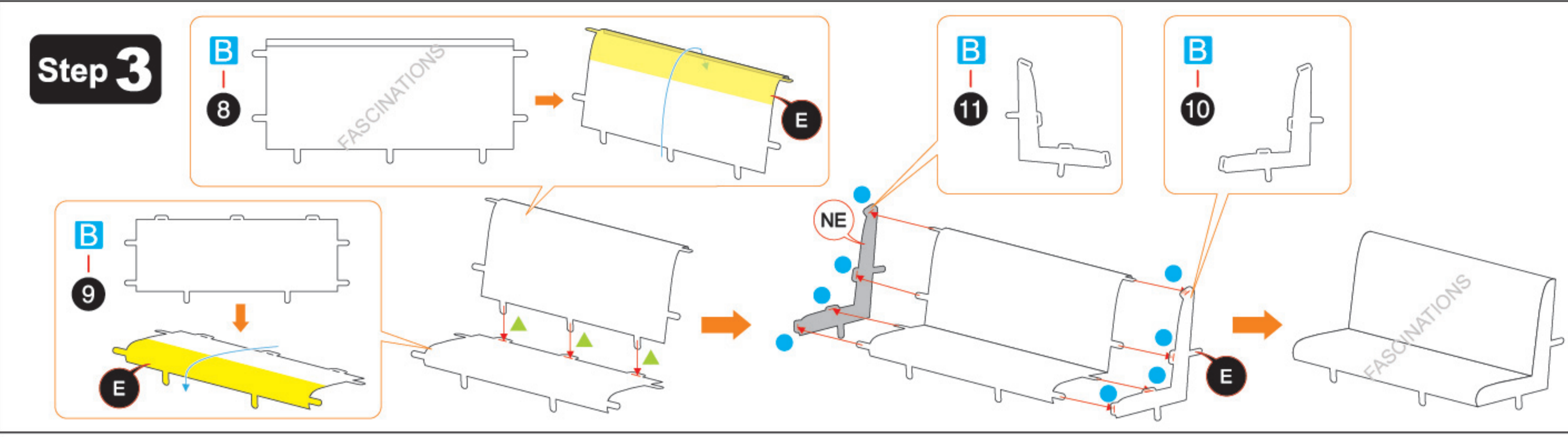
#### Step 1



#### Step 2

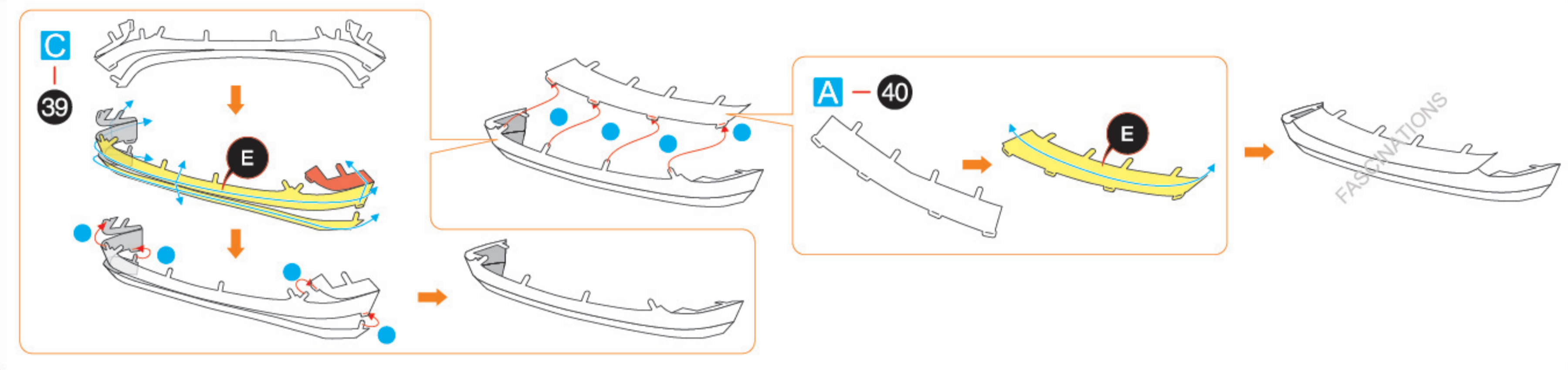
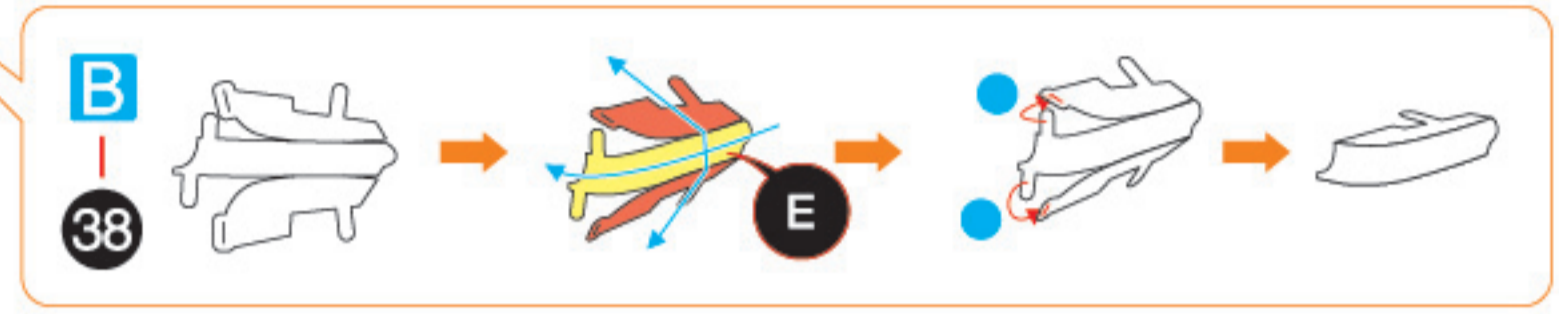
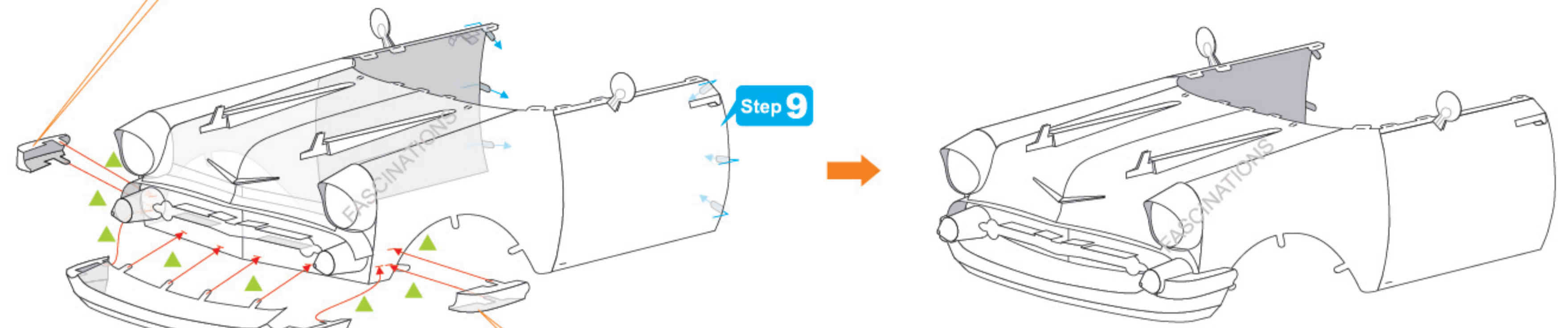
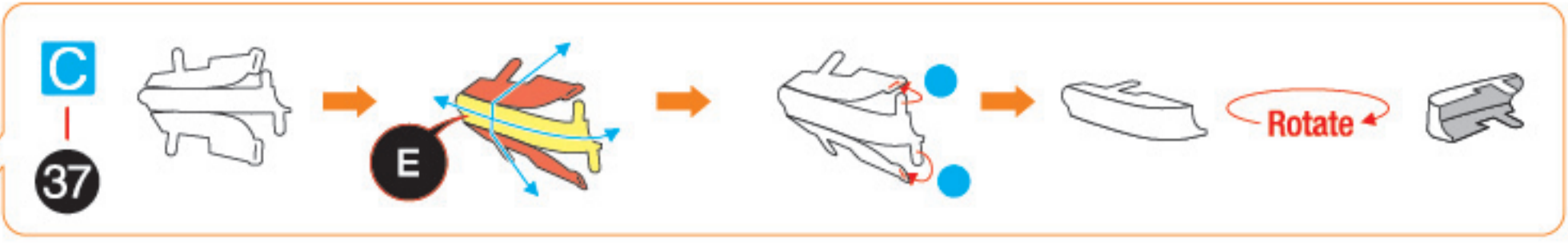




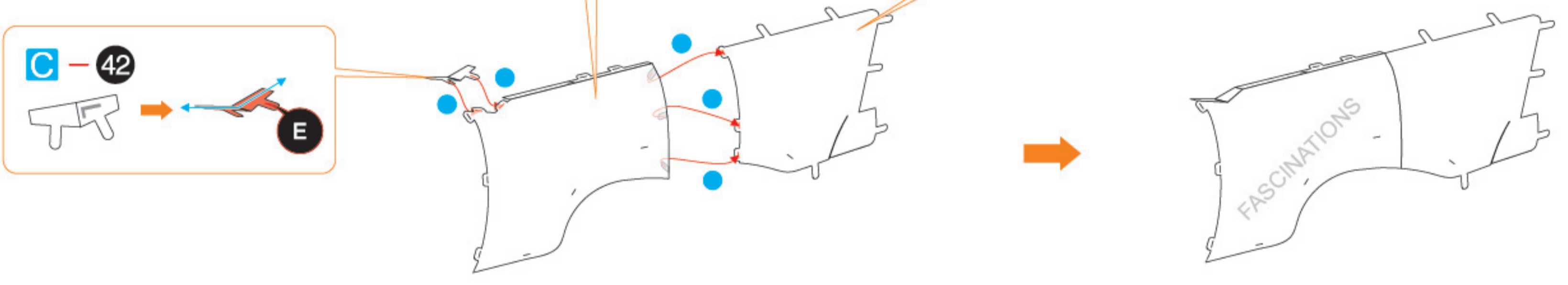
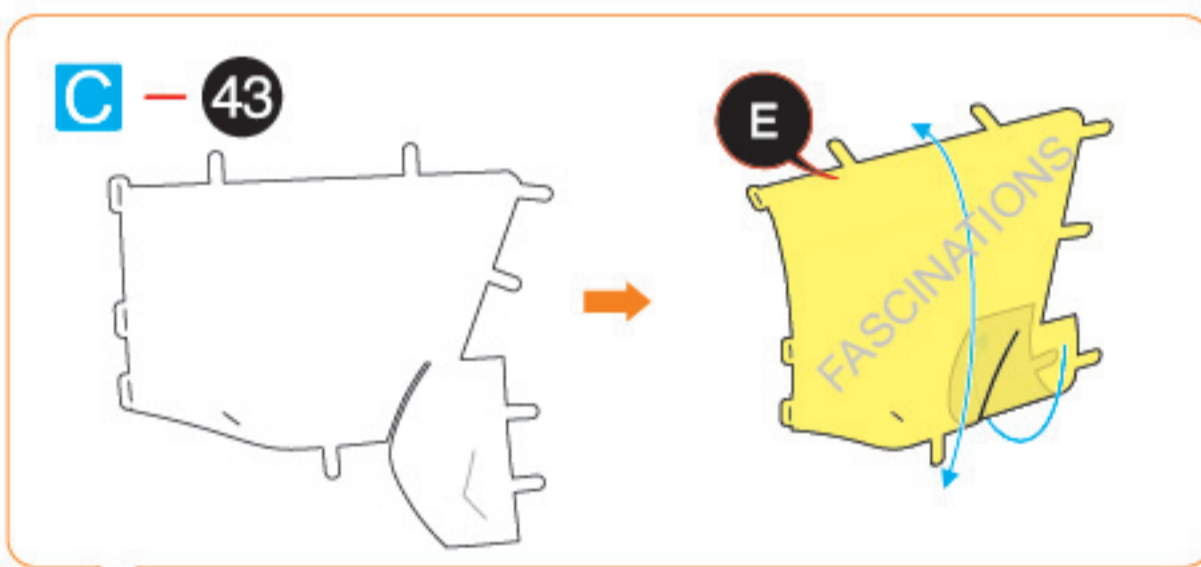
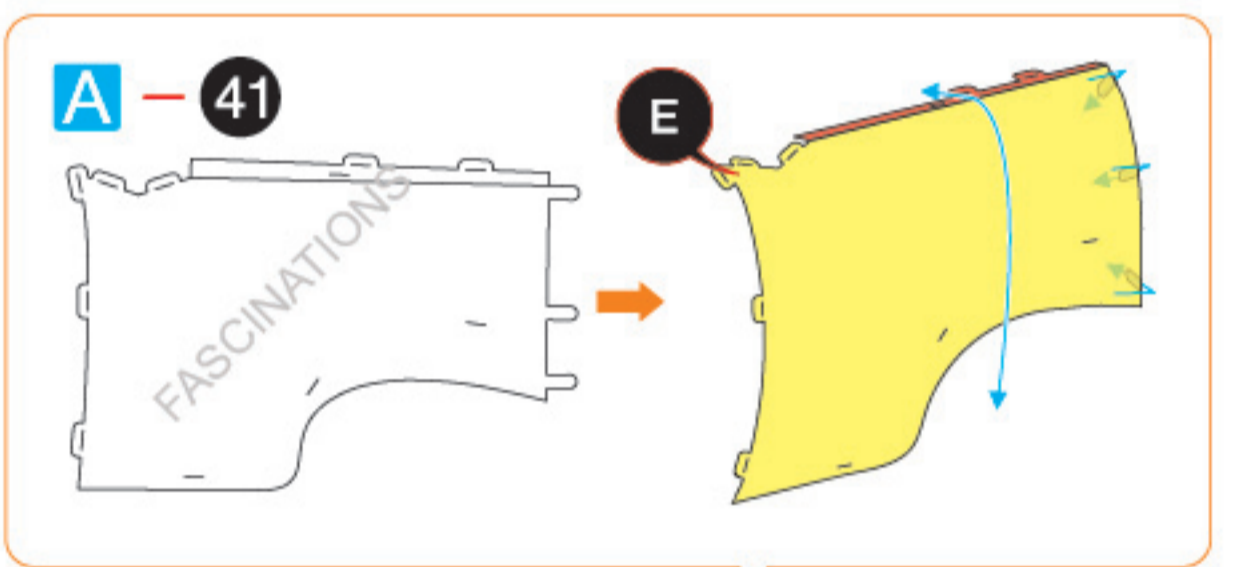




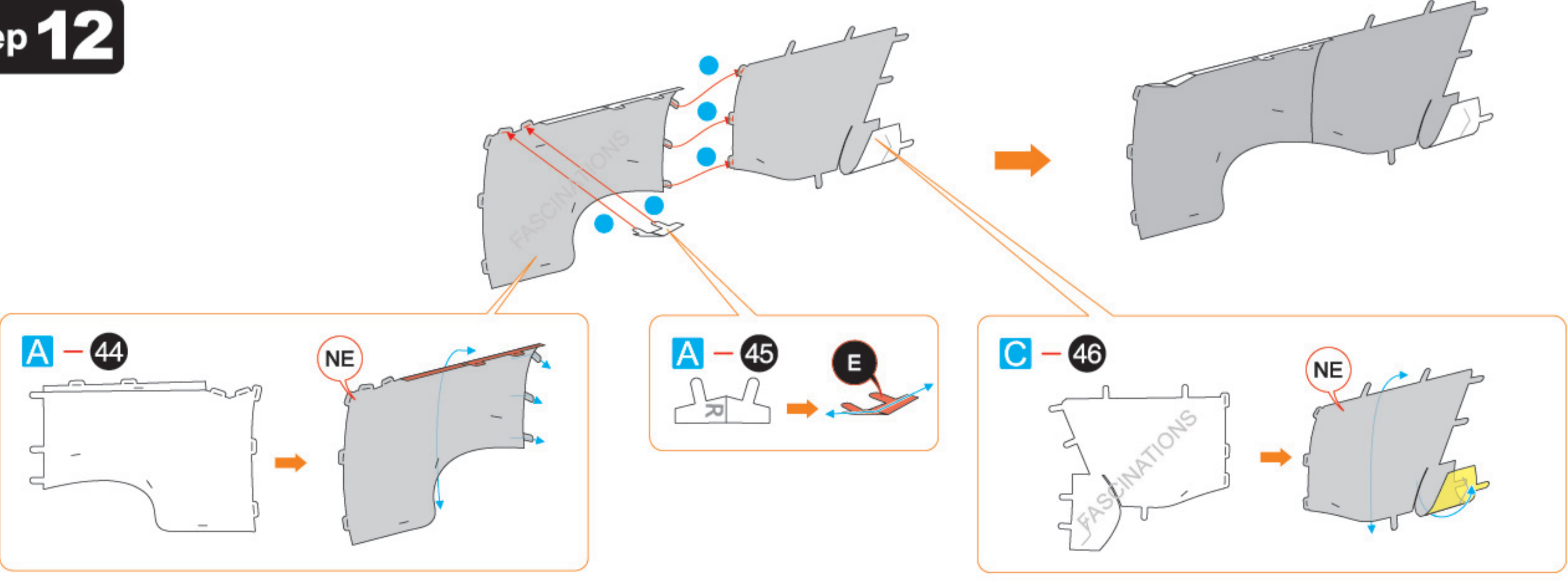
Step 10



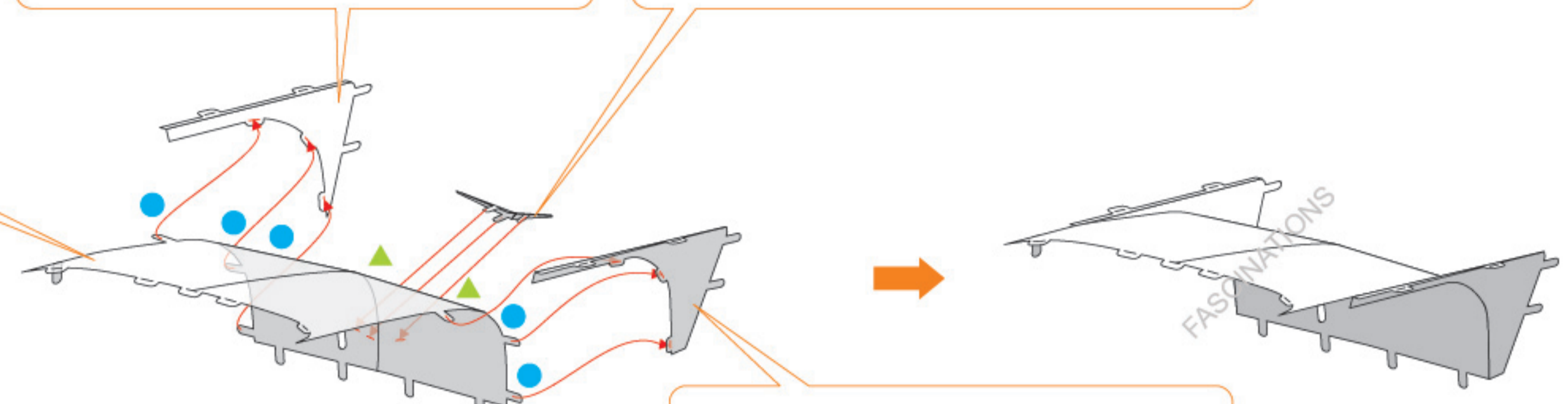
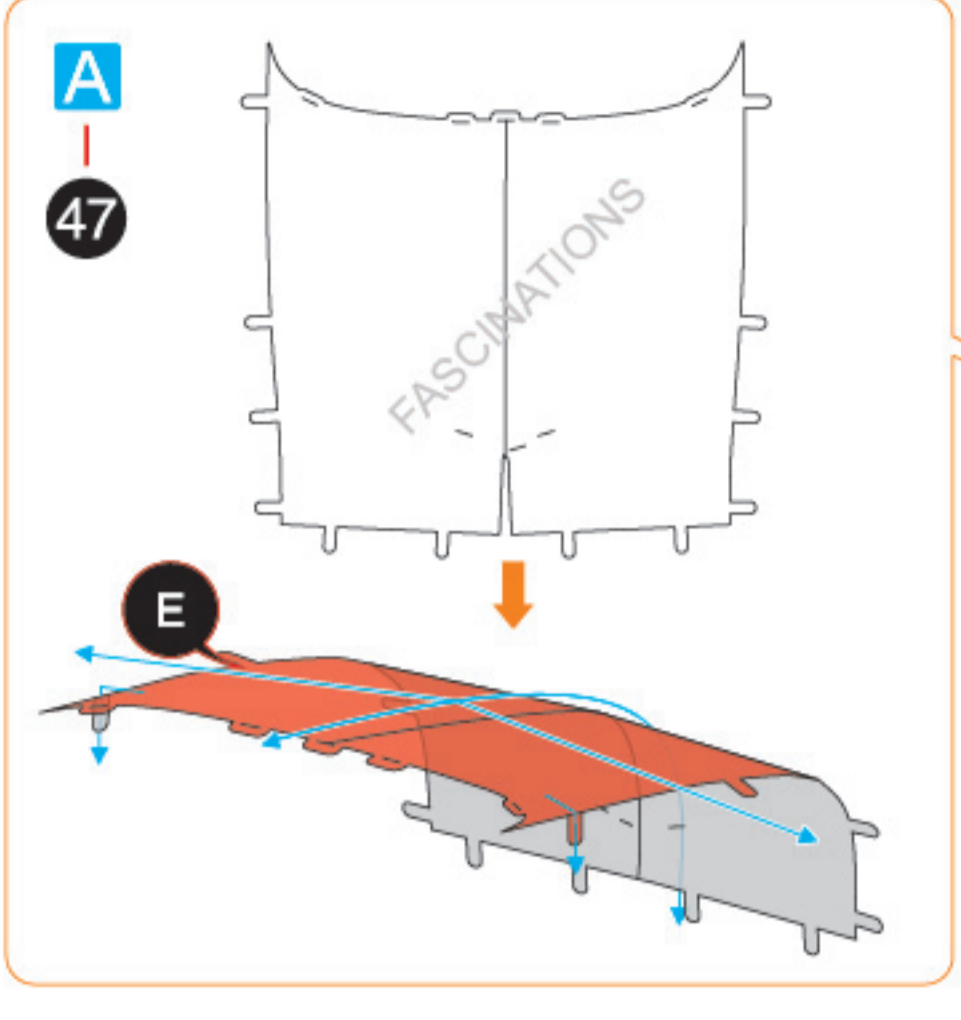
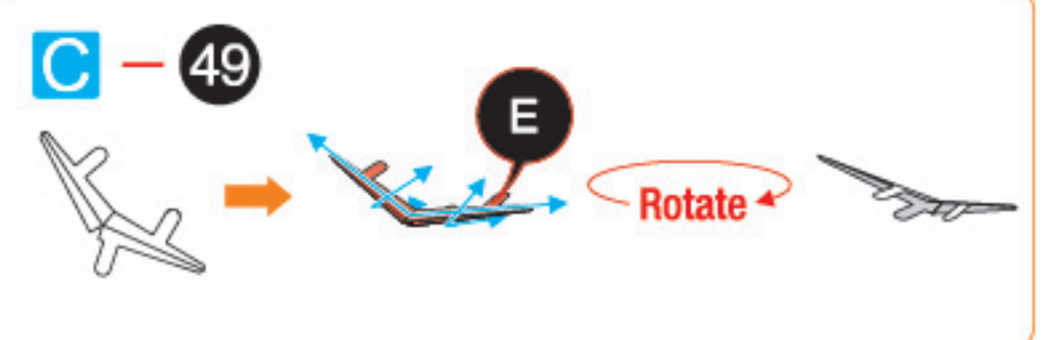
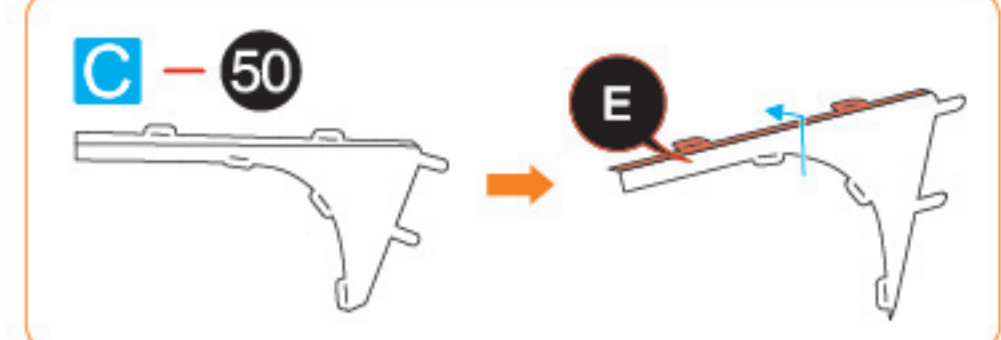
Step 11



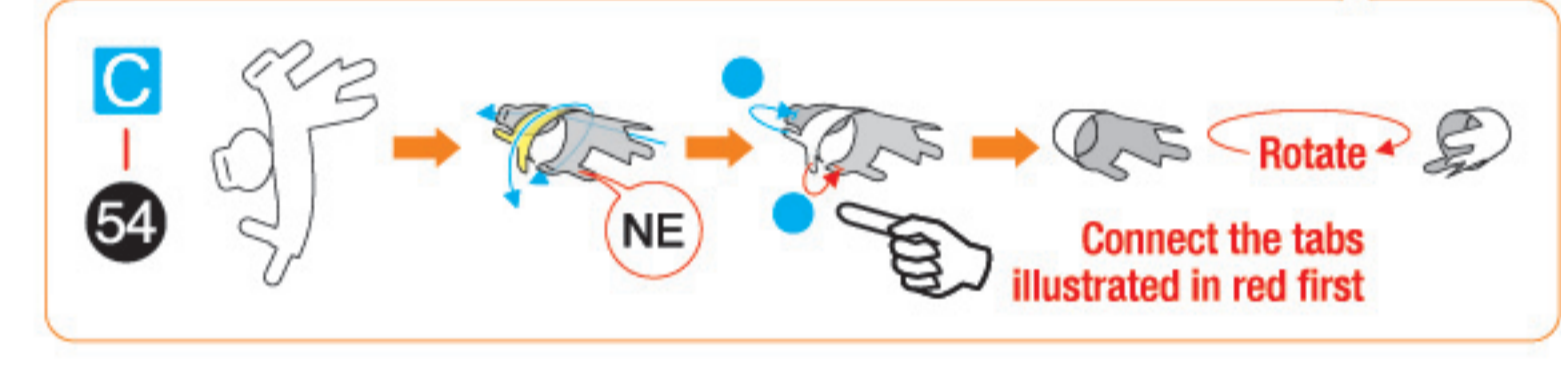
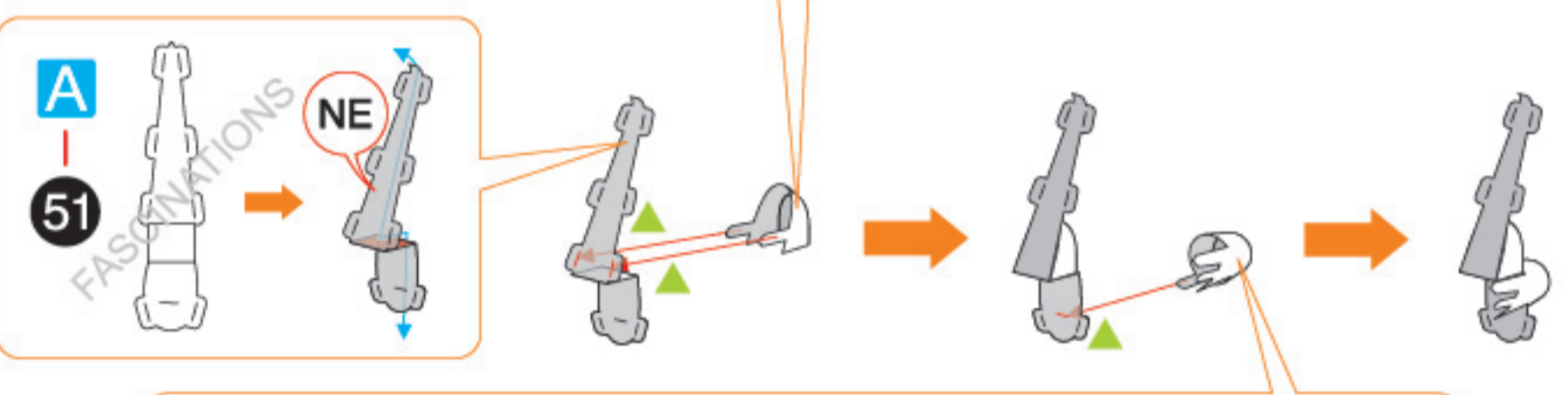
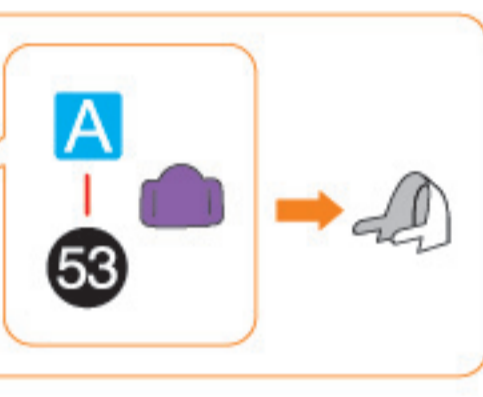
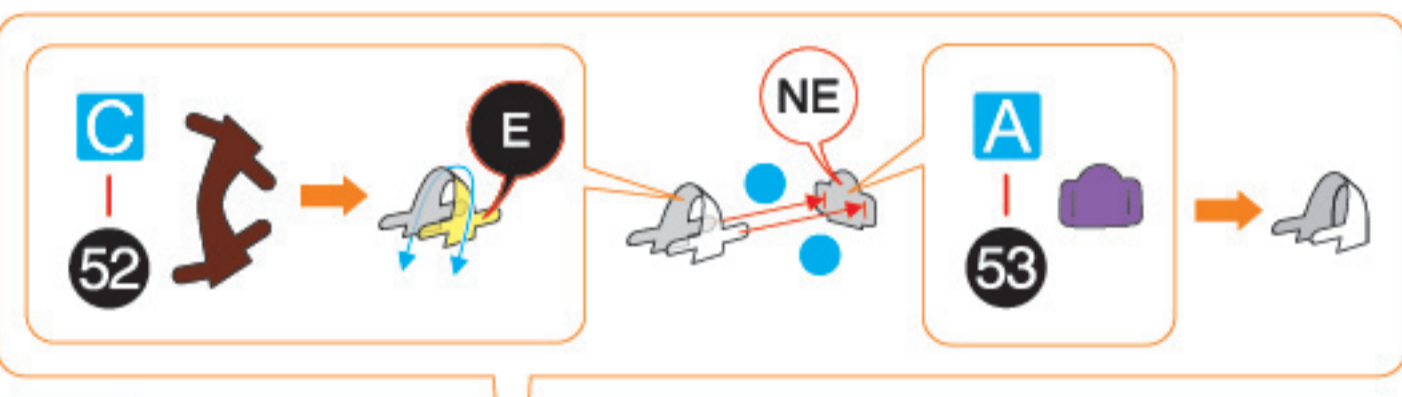
Step 12



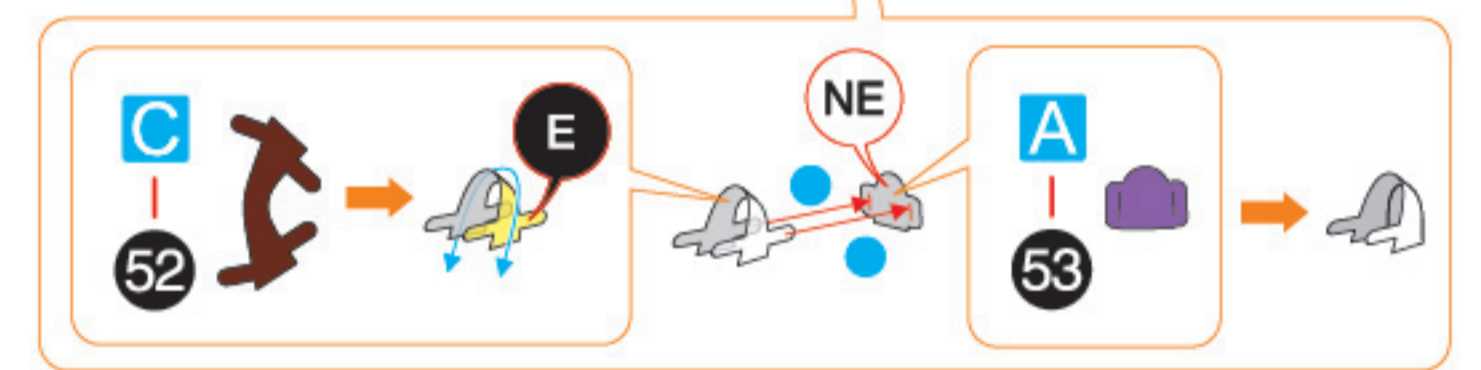
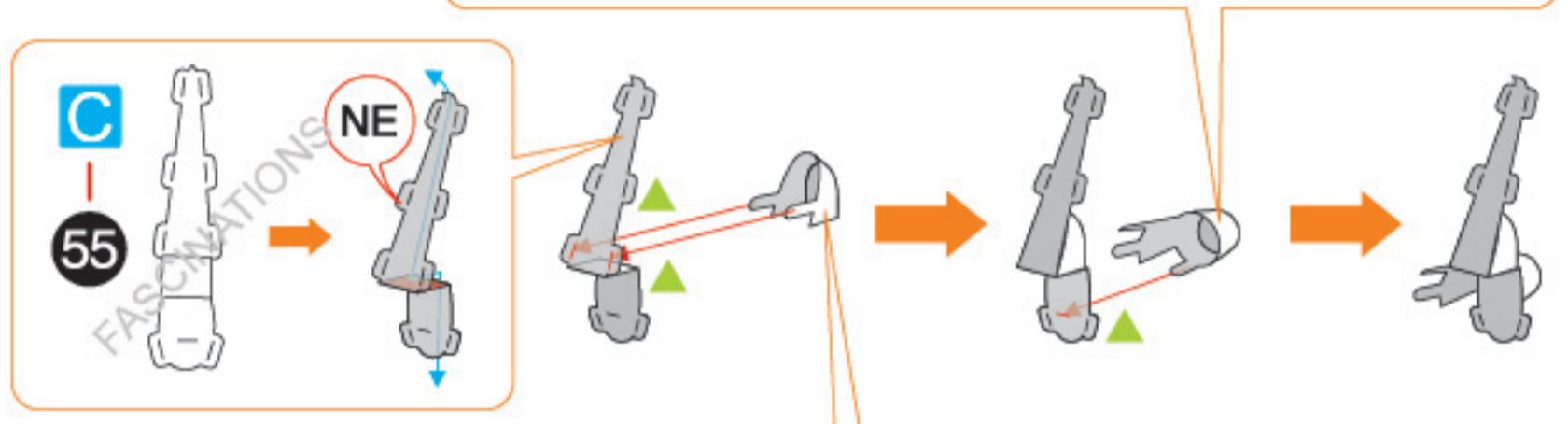
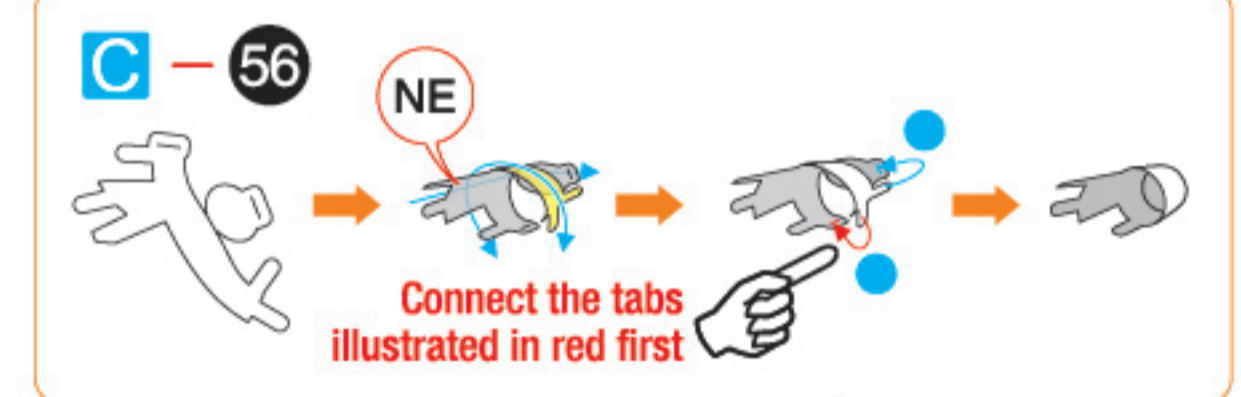
Step 13



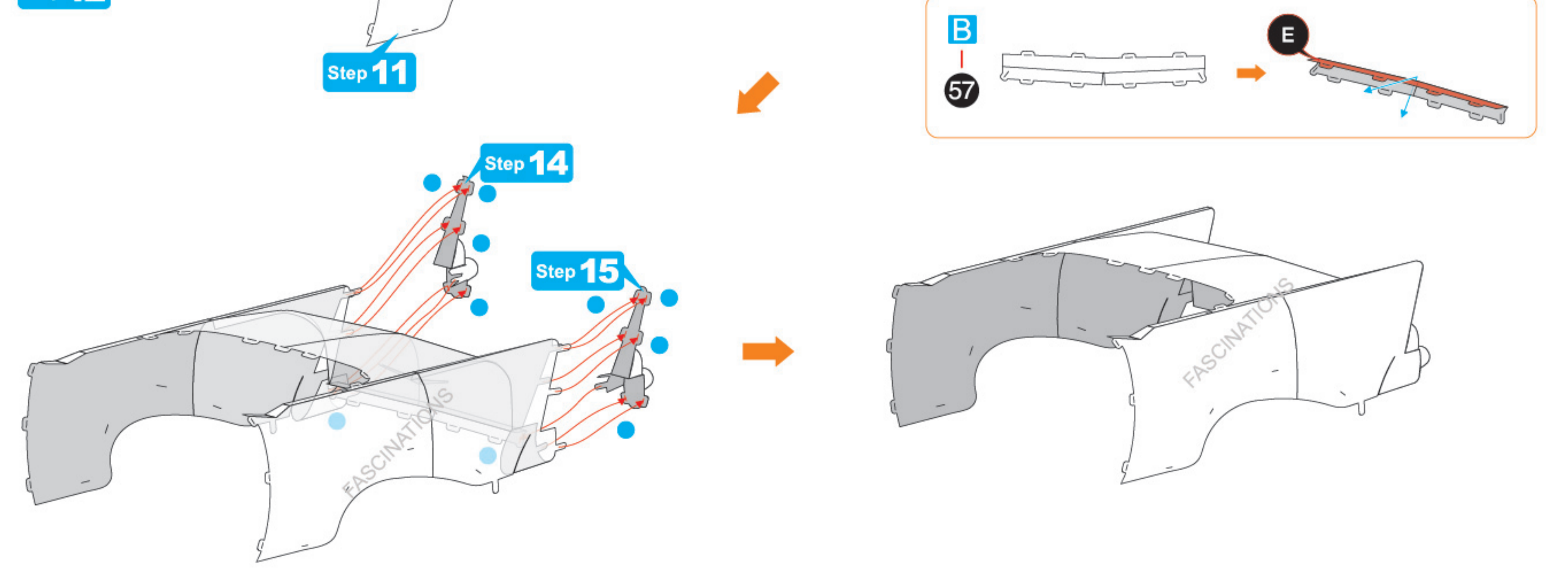
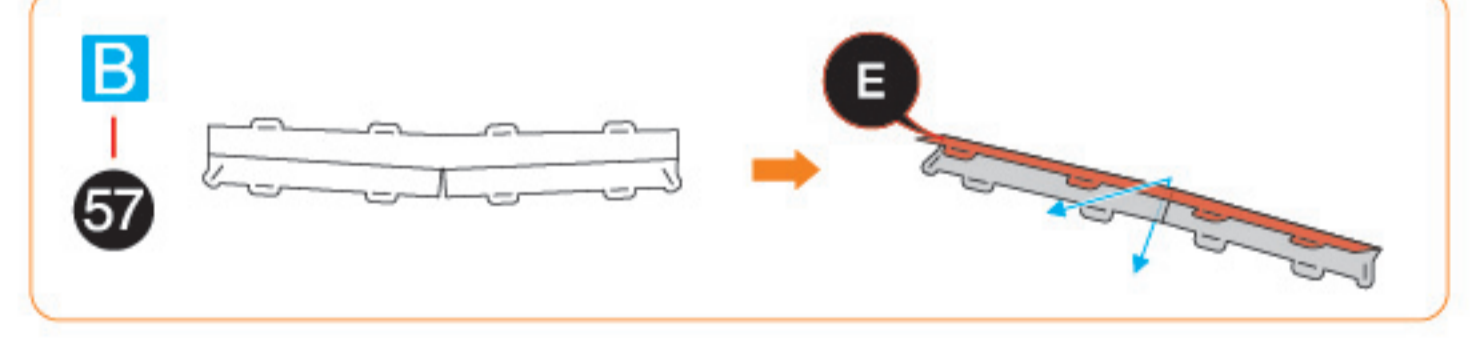
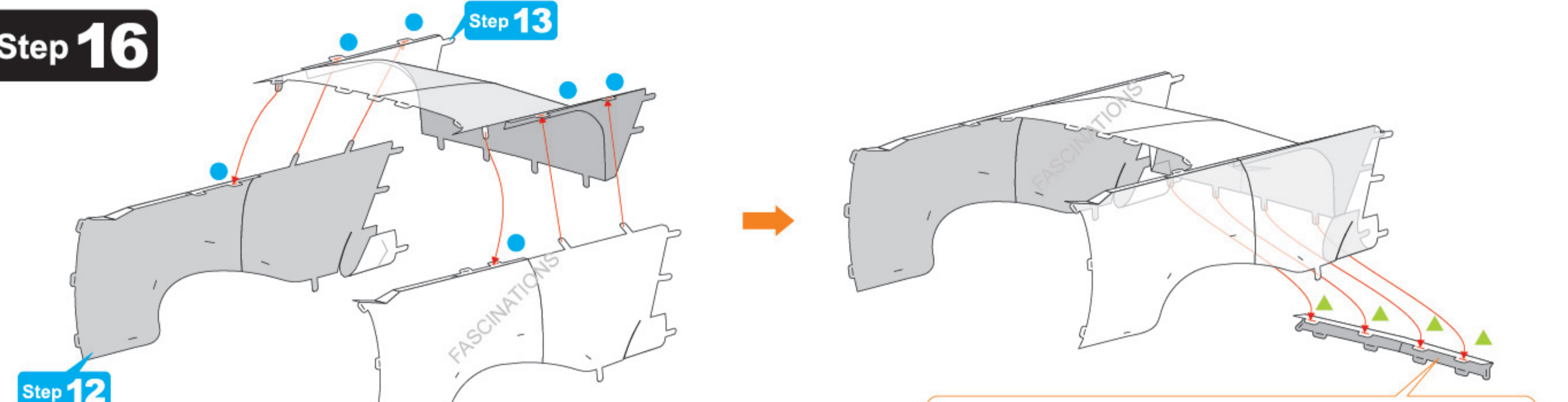
Step 14



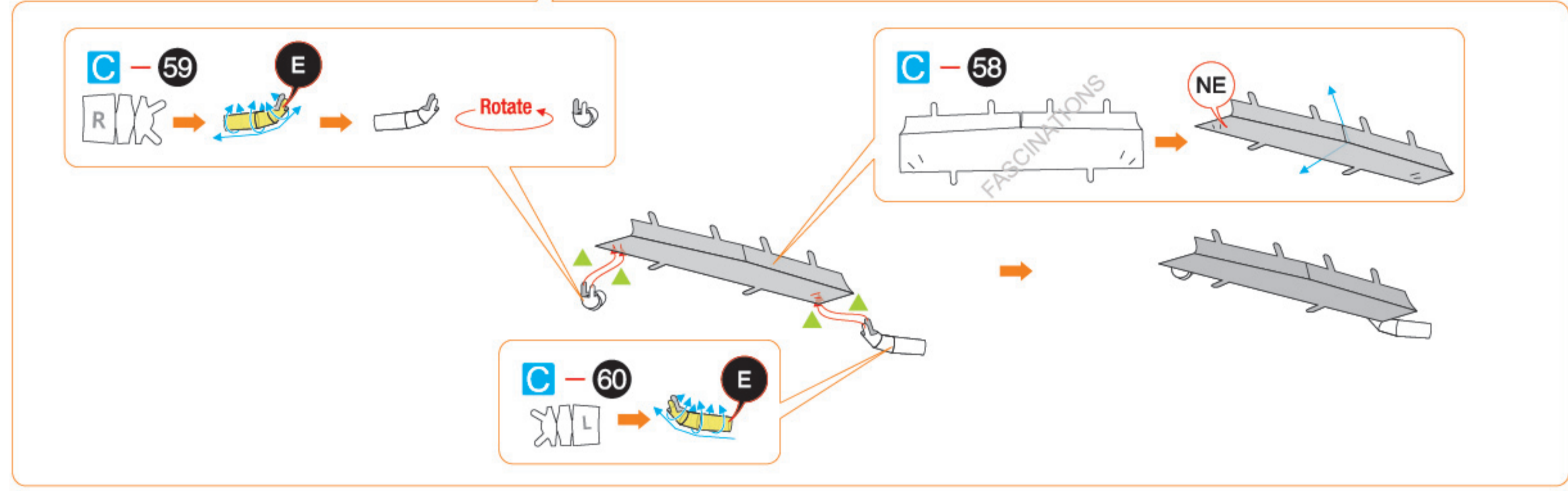
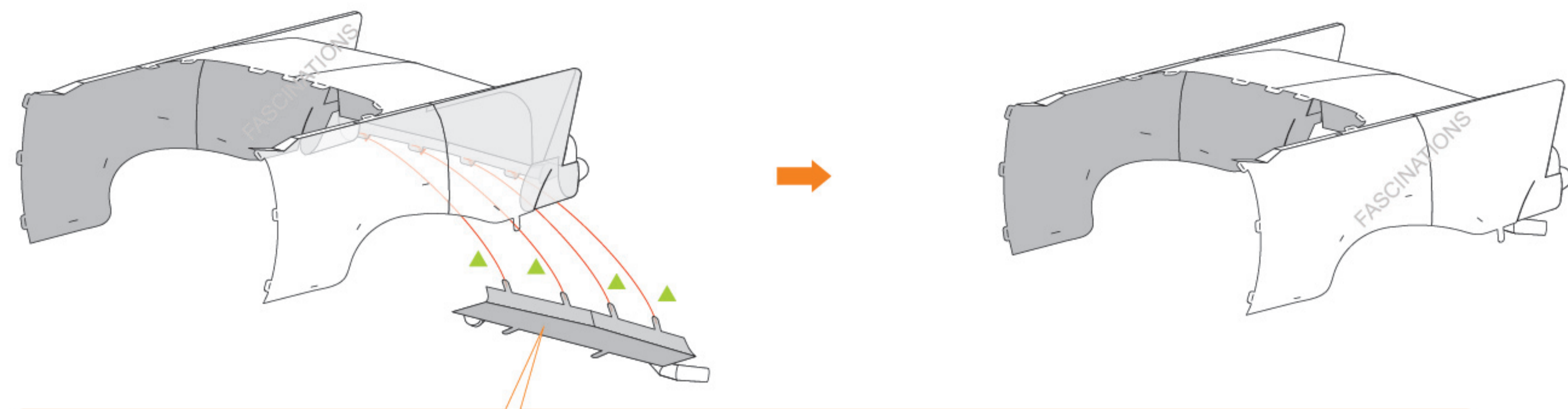
Step 15



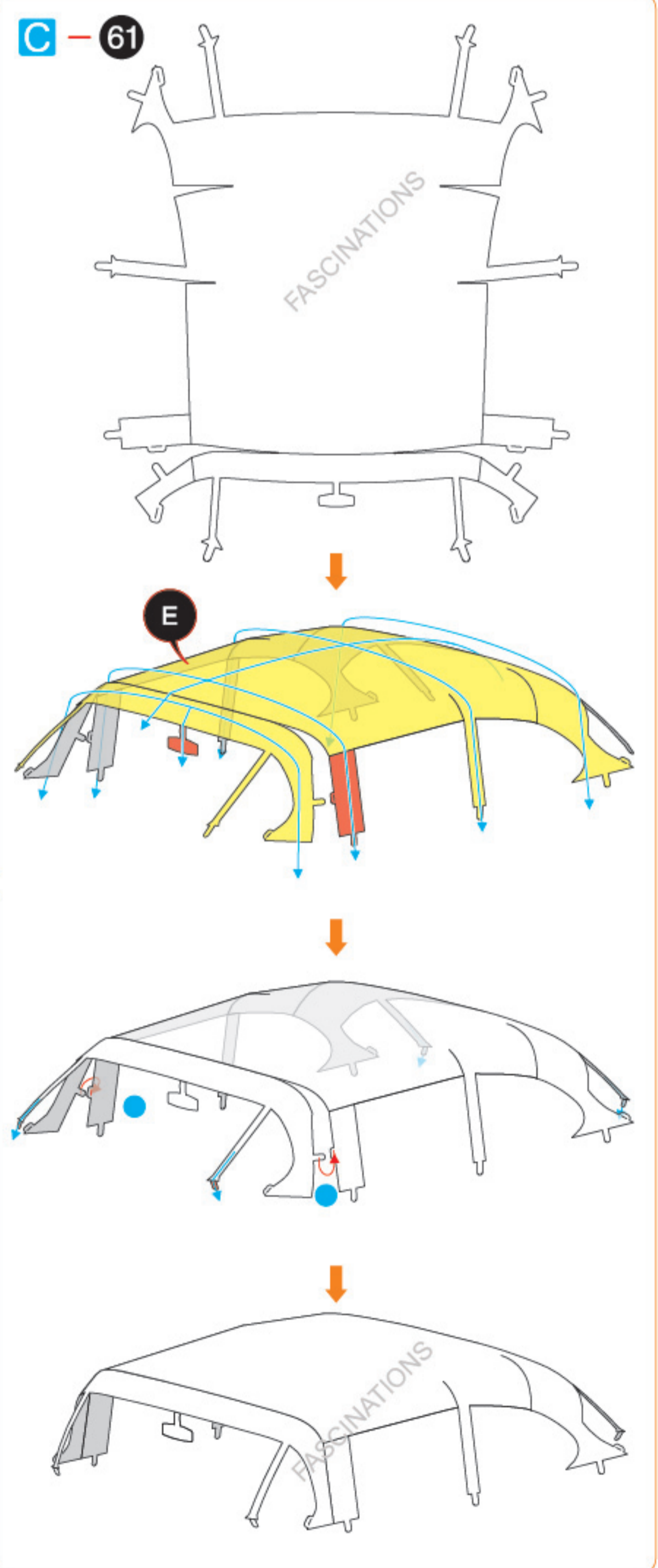
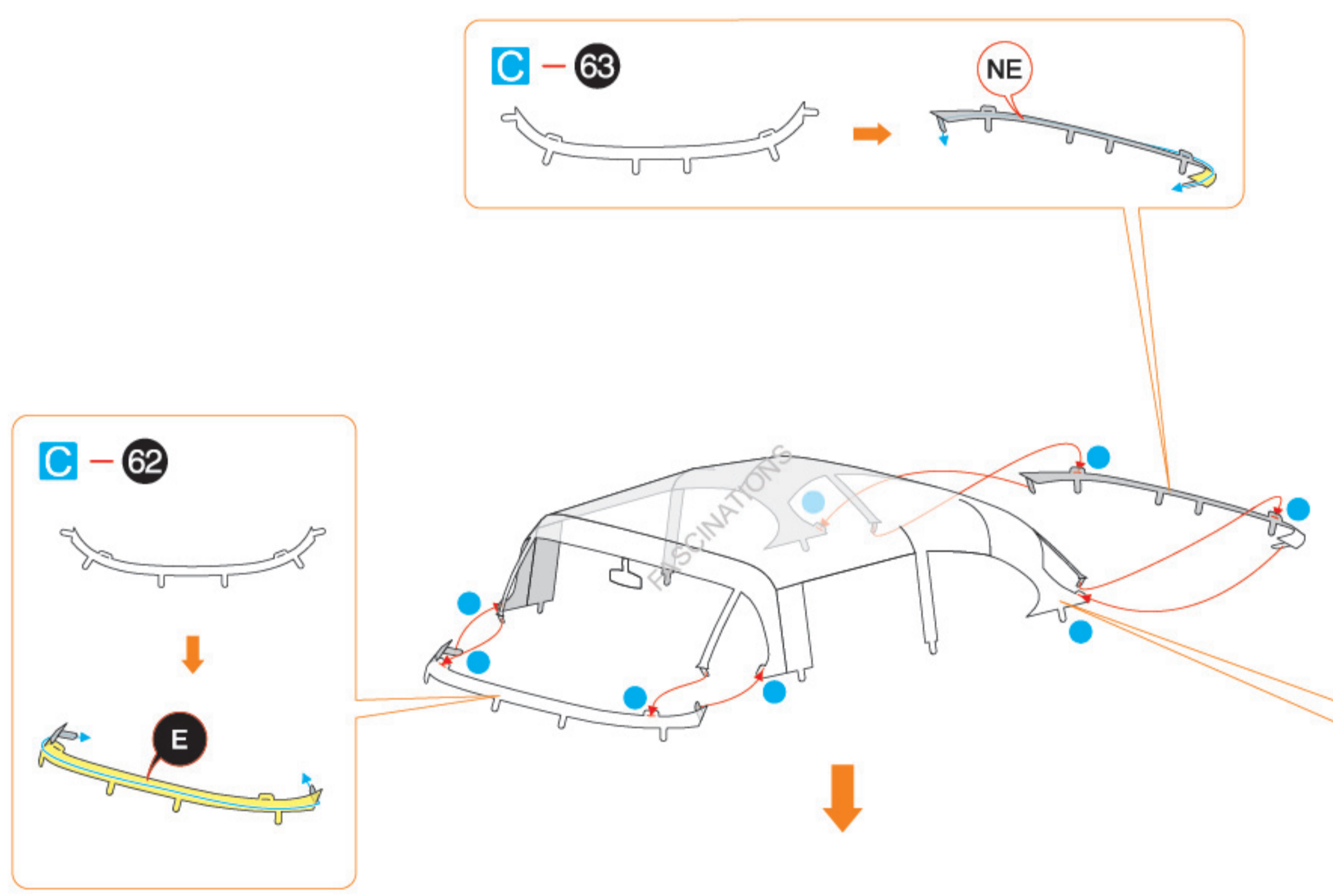
Step 16



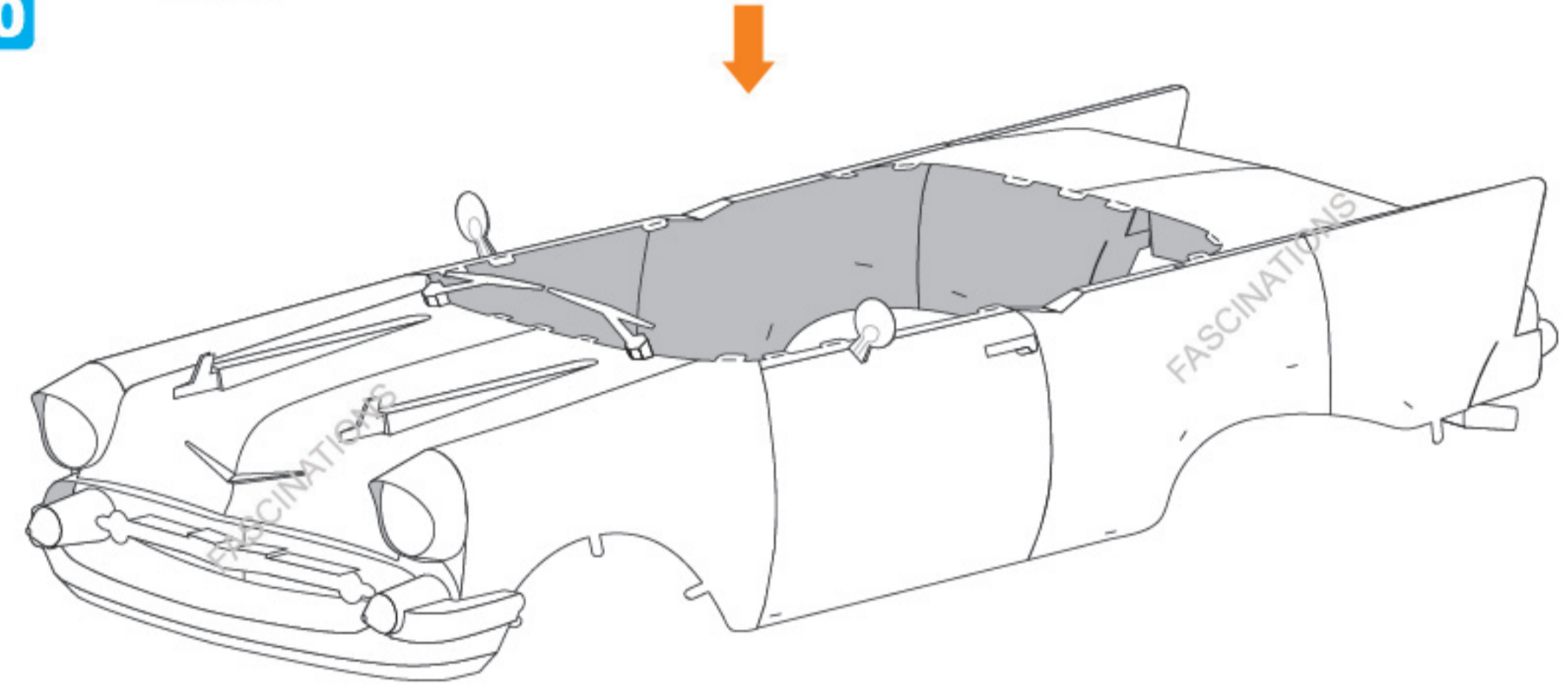
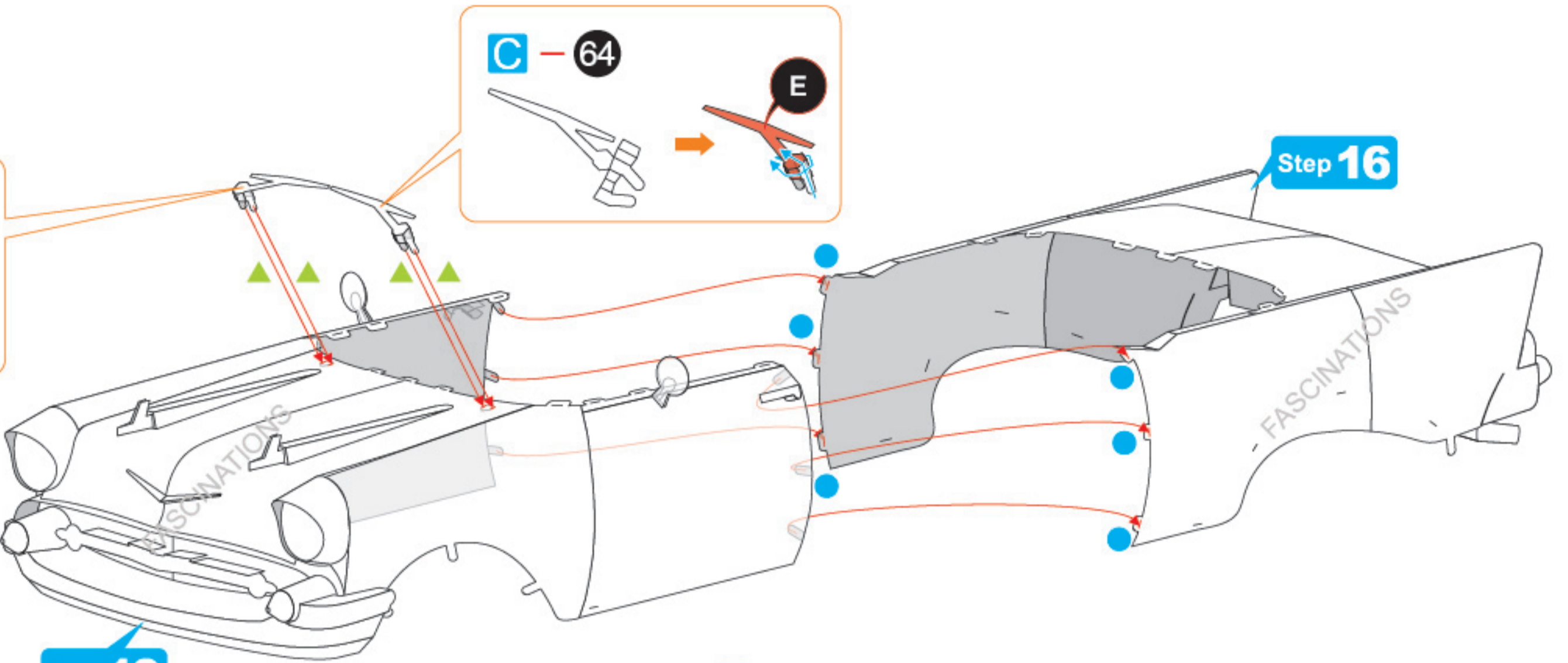
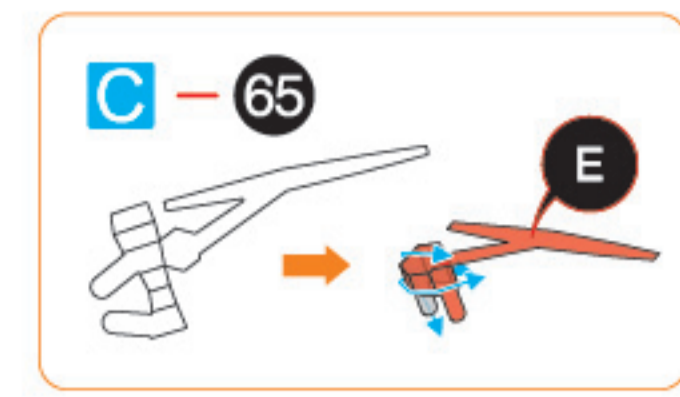




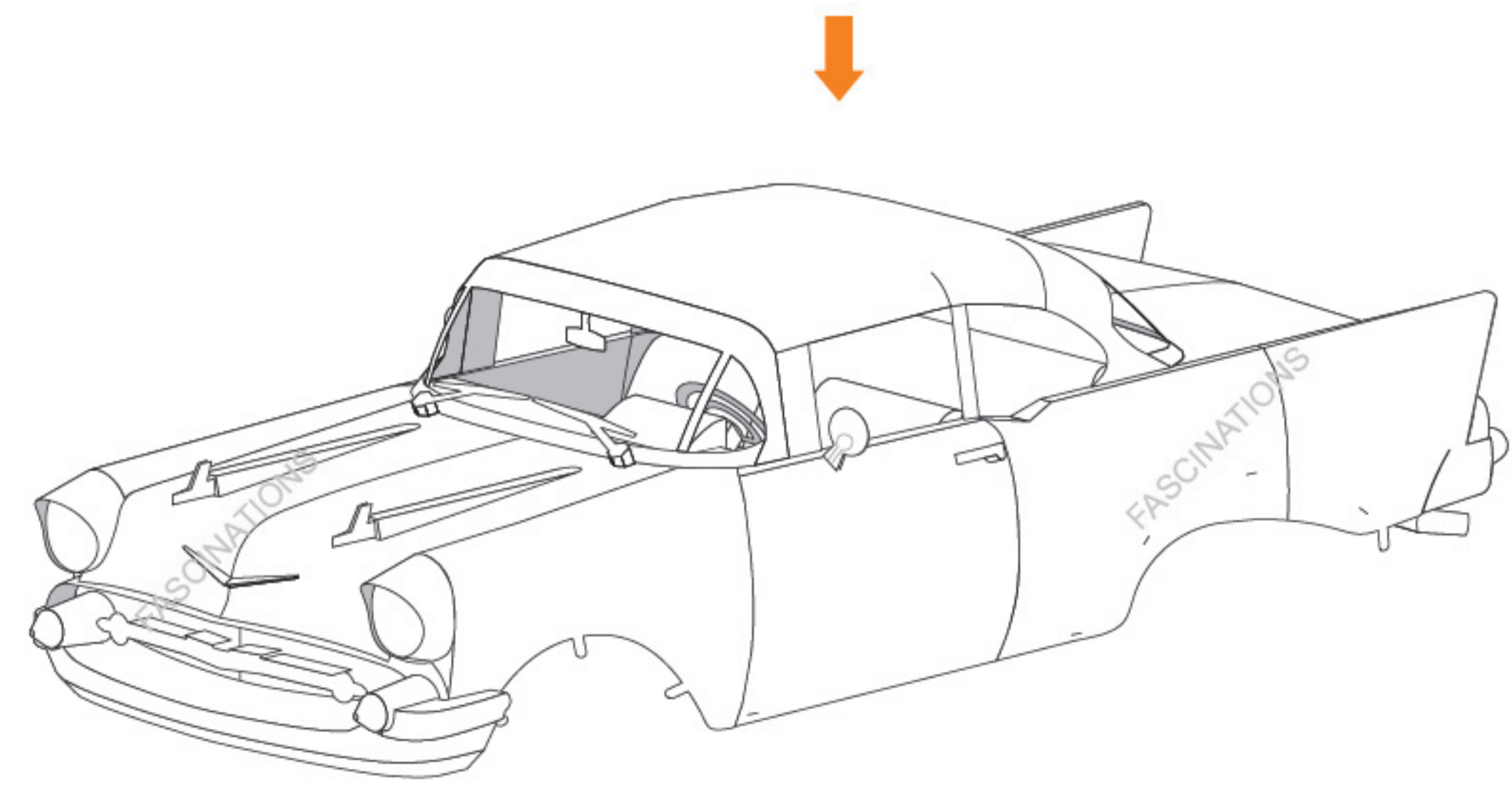
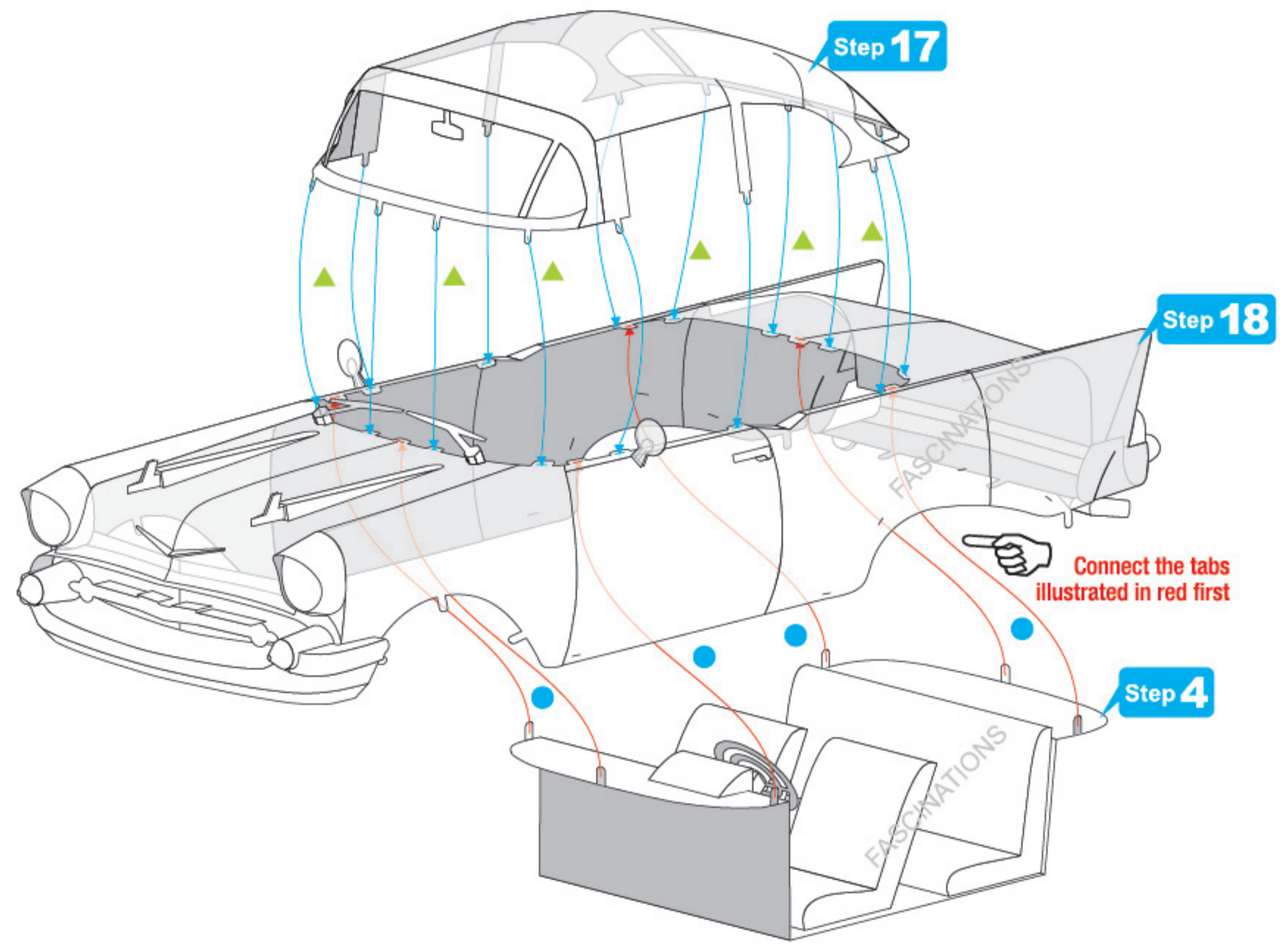
**Step 17**



**Step 18**

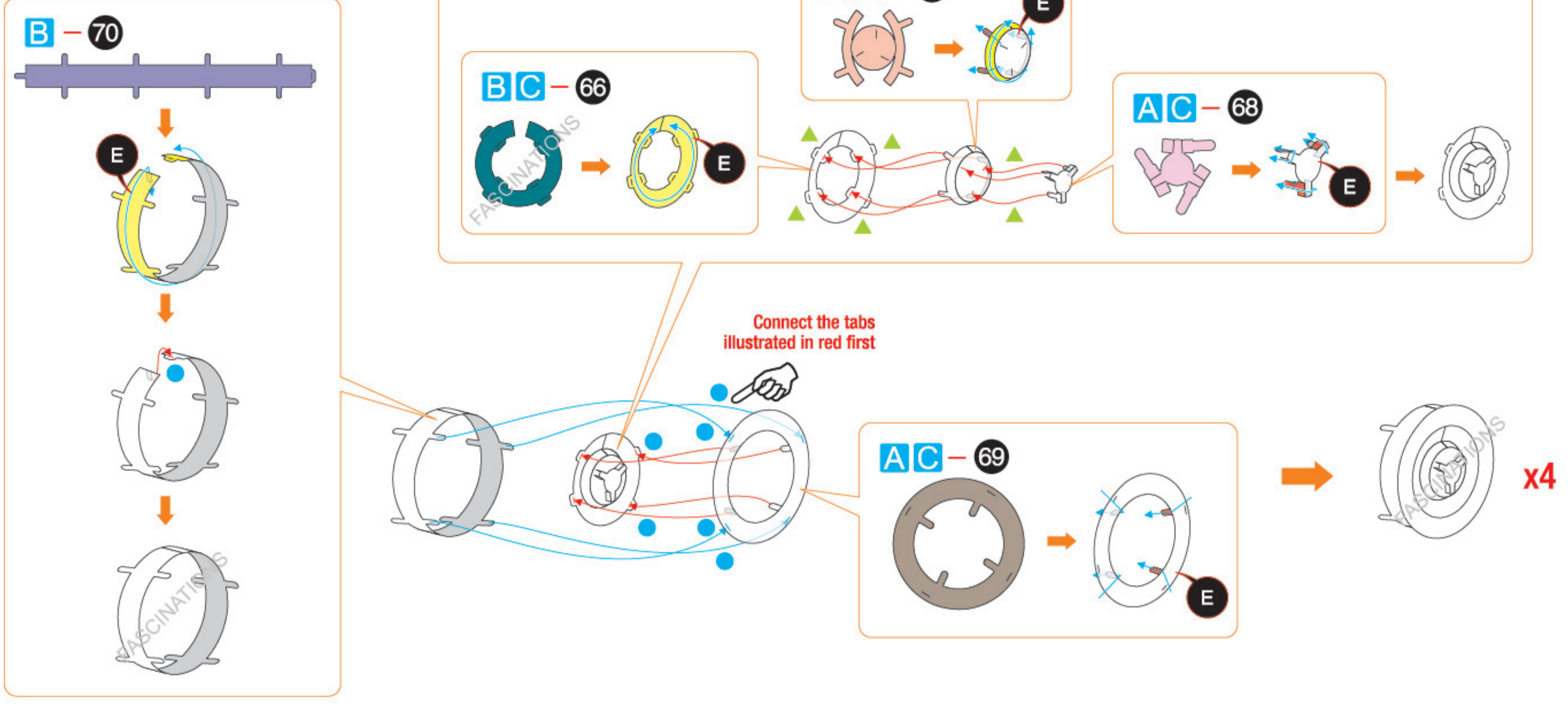


**Step 19**

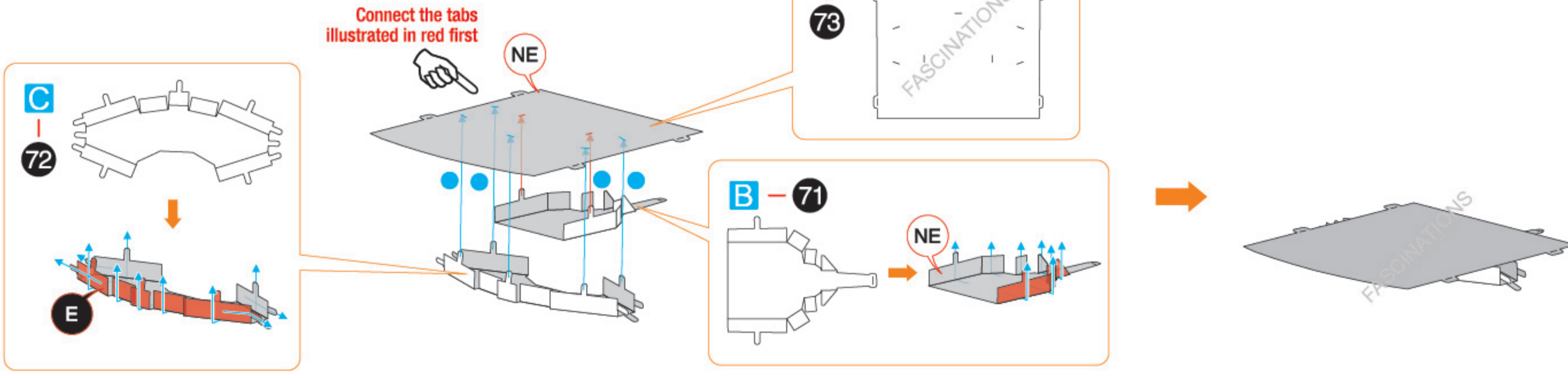




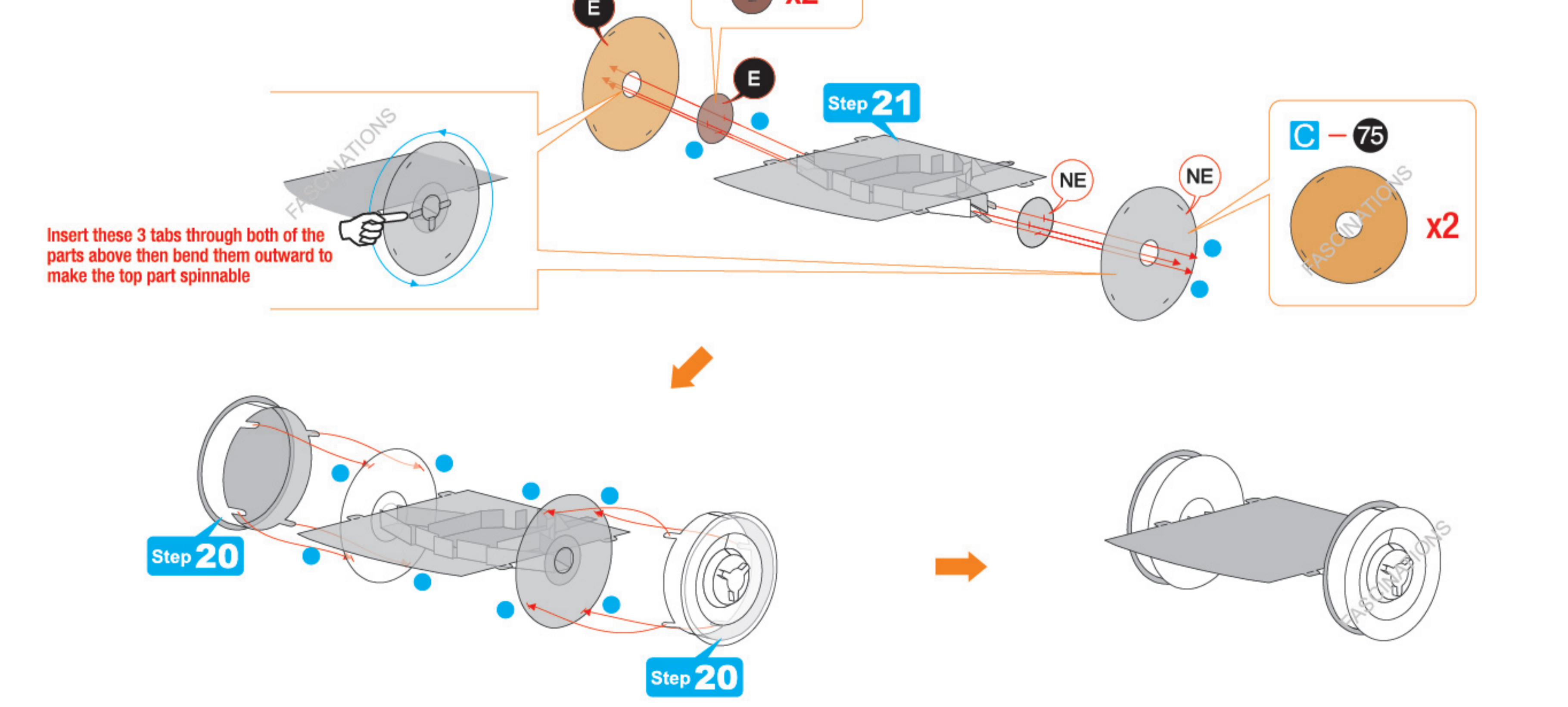
### Step 20



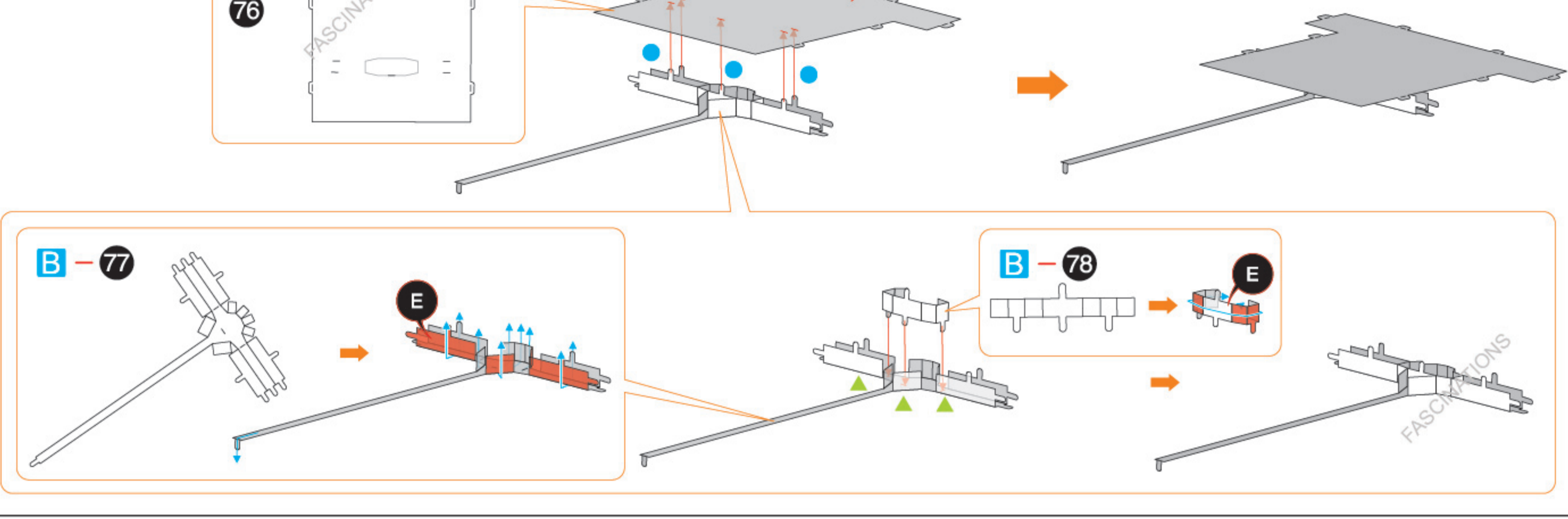
### Step 21



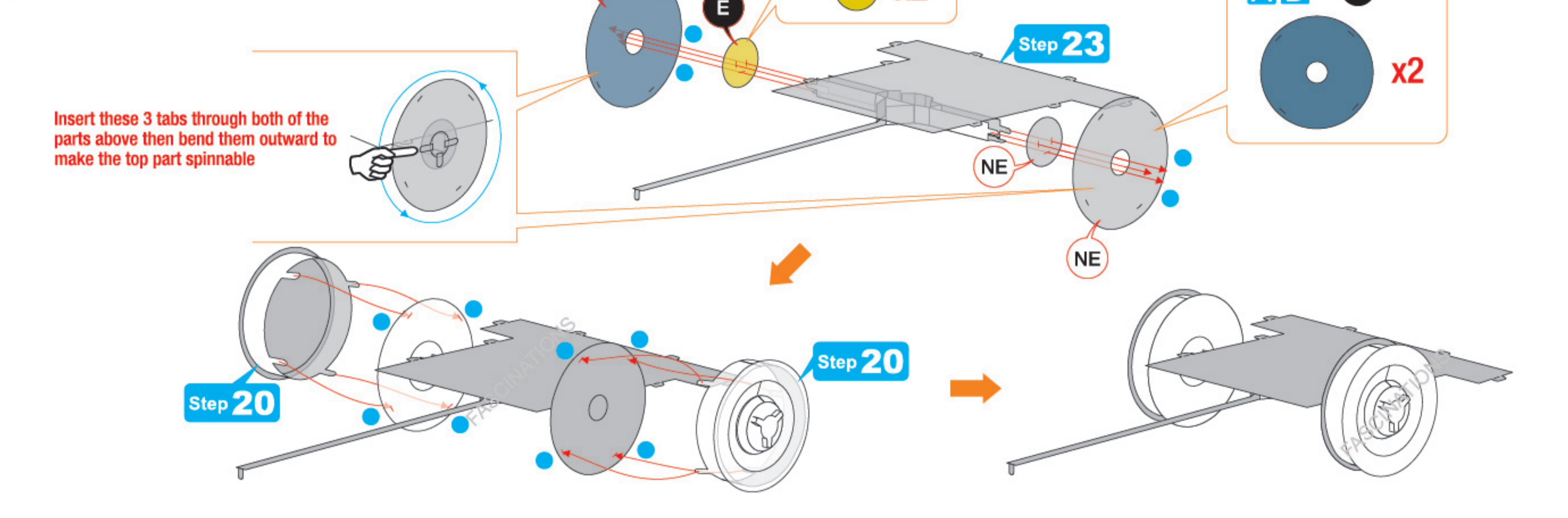
### Step 22



### Step 23



### Step 24



### Step 25

