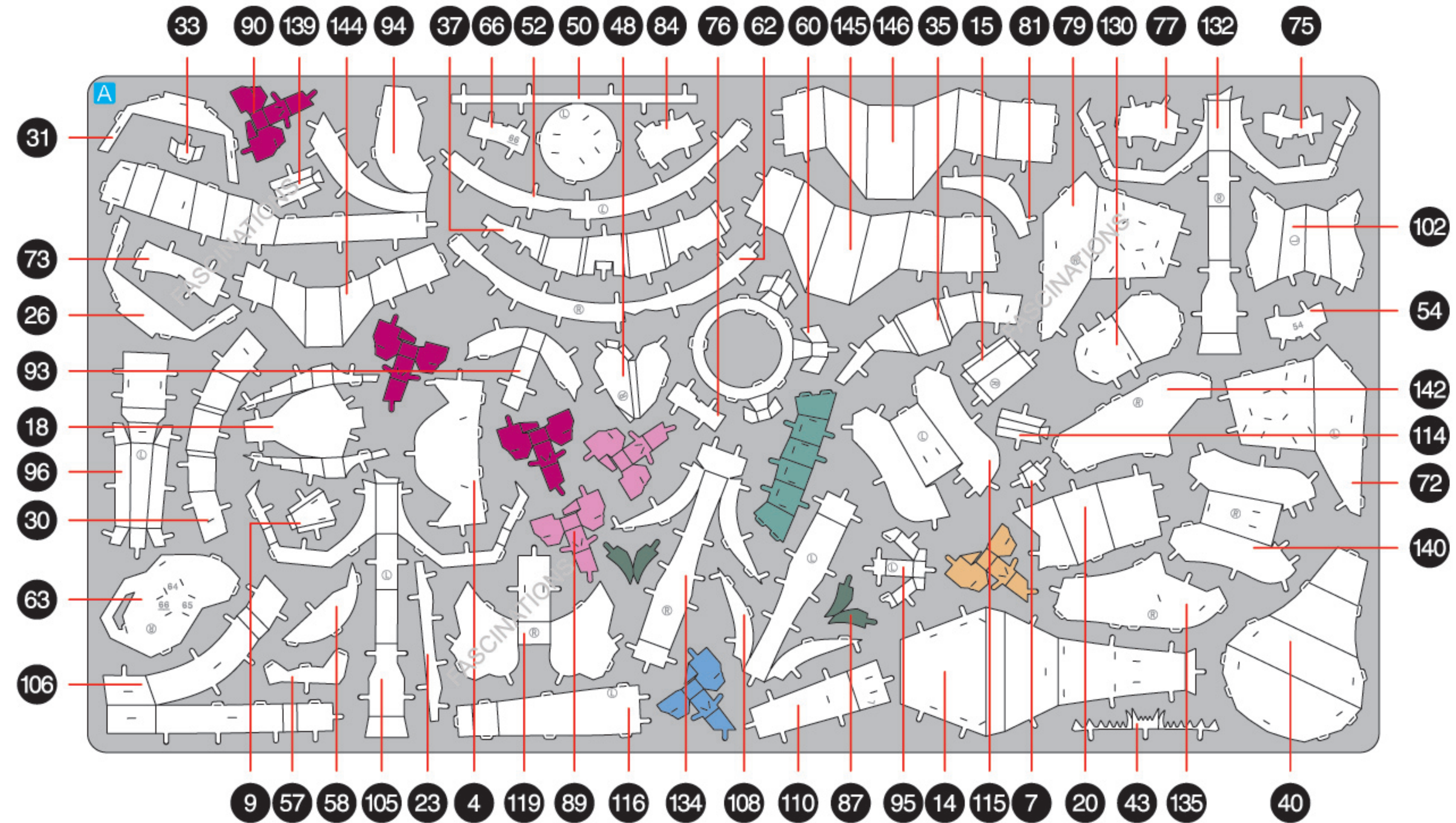


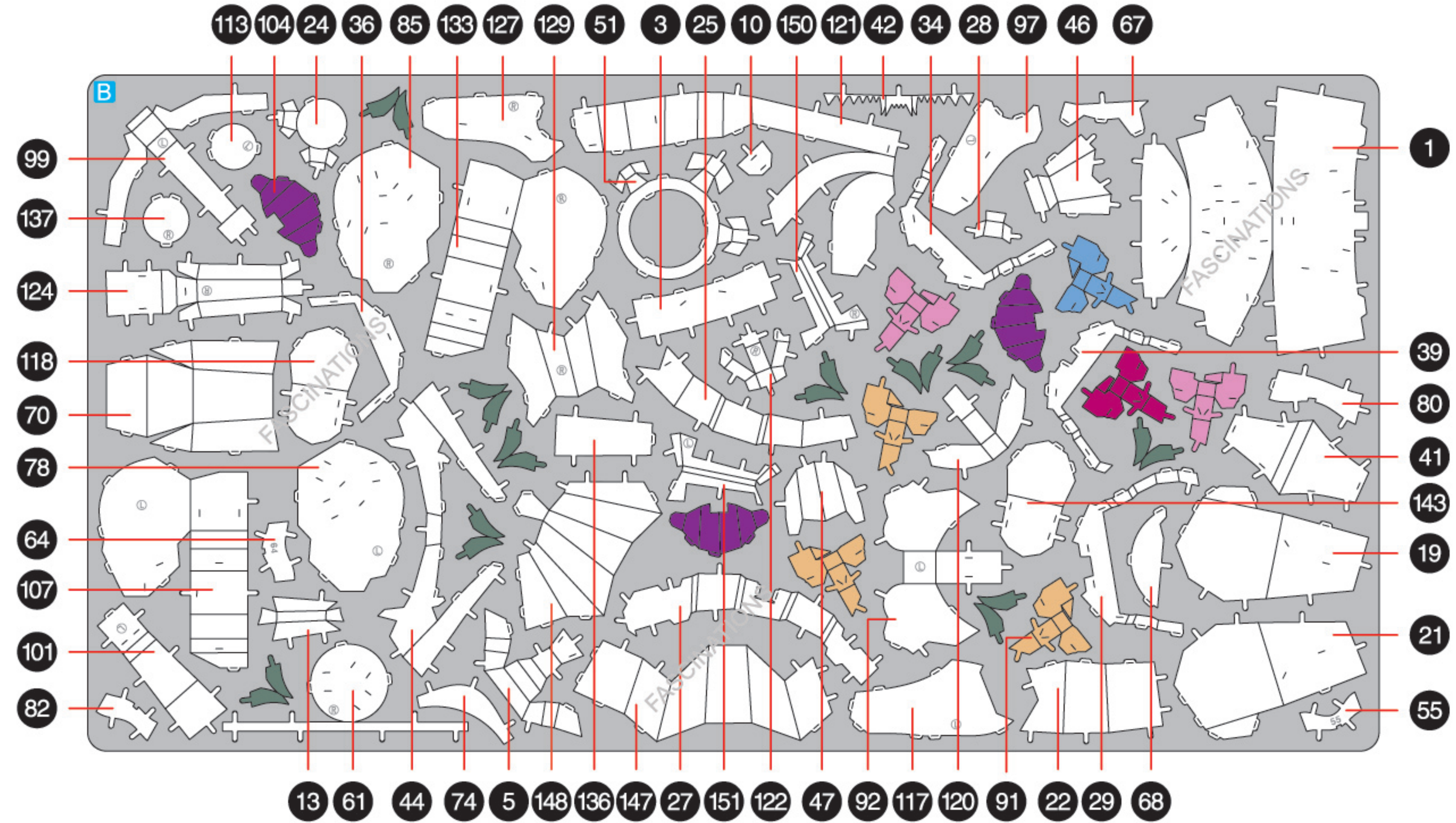
METAL SHEETS

Parts with same color are duplicates

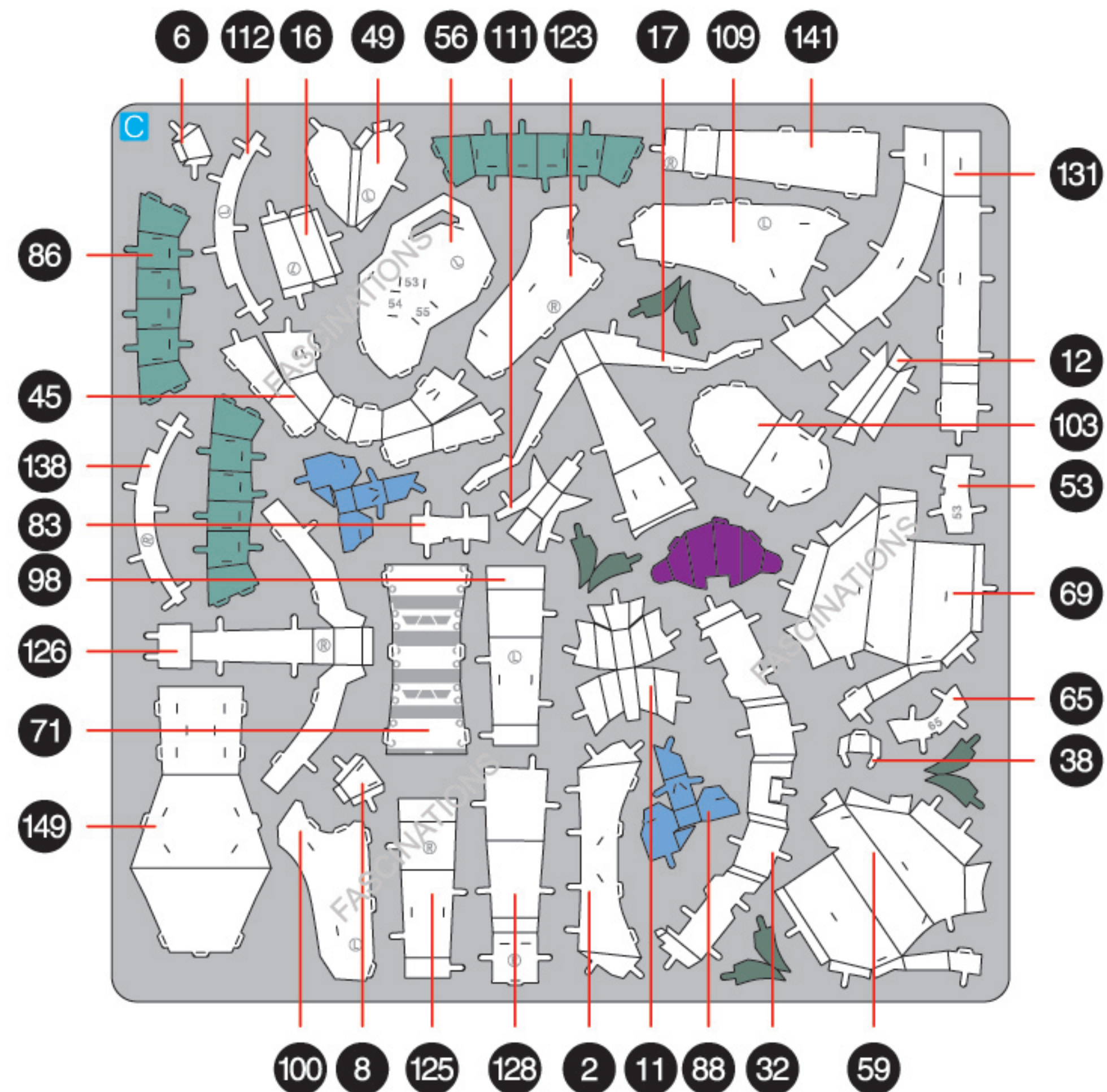
A



B



C



Metal Earth

360° view



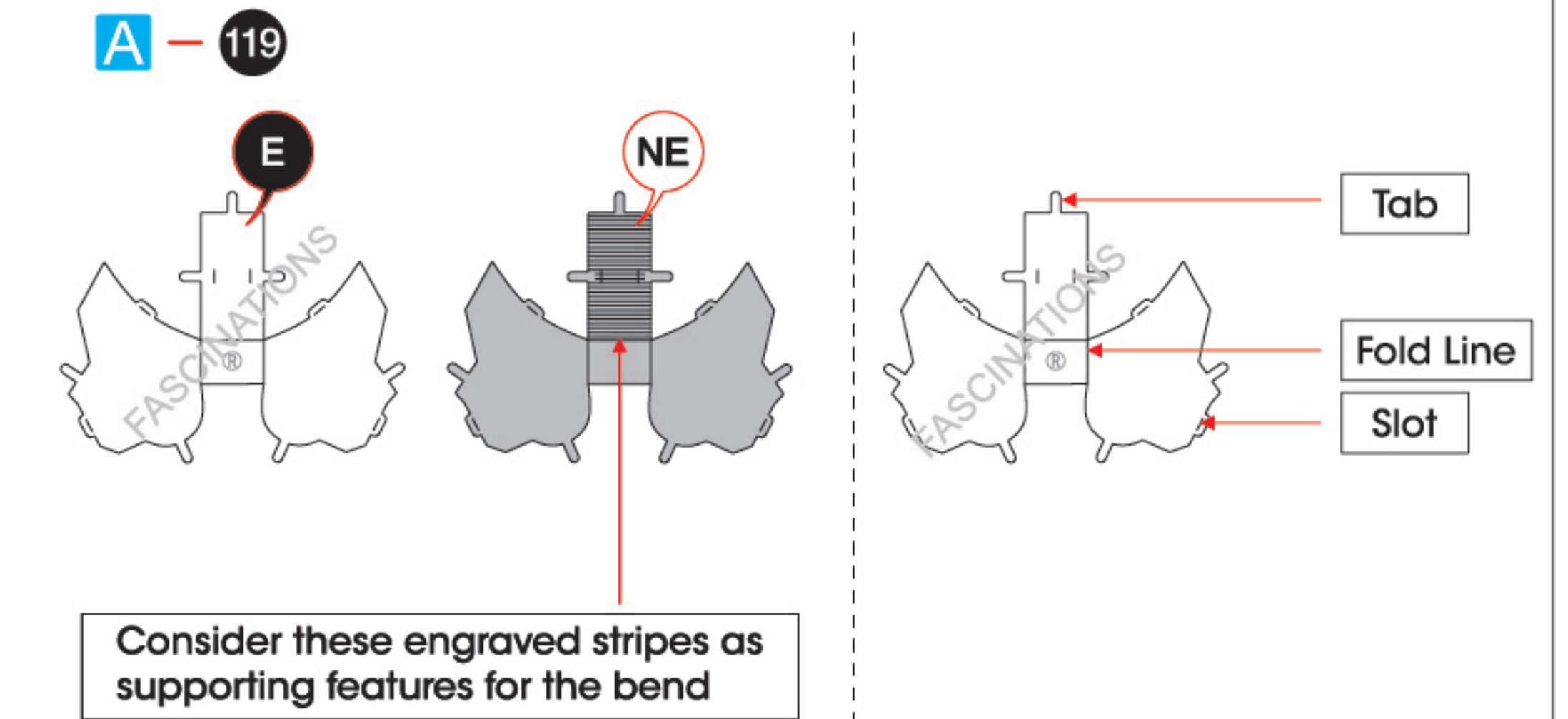
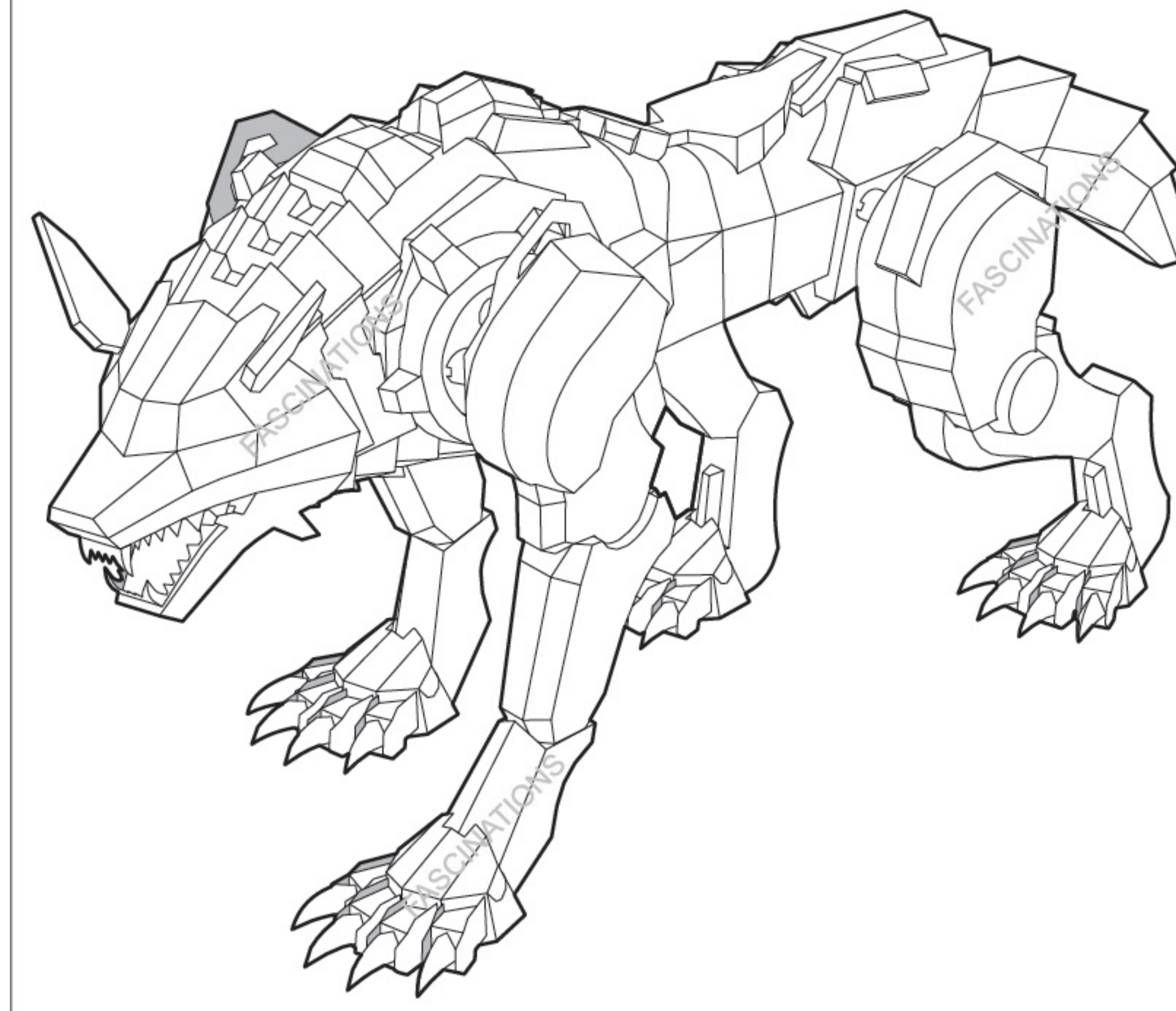
It is highly recommended that you visit www.metalearth.com/360/PS2020 to see the completed model before assembling your own

Premium Series

PS2020

CYBER WOLF

TO CREATE THE BEST CONNECTIONS



Legends:

- E** Engraved/ Color side
- NE** Non - engraved/ Silver side
- Attention point
- Insert tab and bend 90 degrees
- Insert tab and twist 90 degrees

Recommended tools:

- Wire cutters: helpful for taking parts from the metal sheets.



- Tweezers or needle nose pliers: helpful for folding parts, bending and twisting tabs.



Assembly tip:

If needed, slightly twist tabs to hold parts together then untwist and bend them down for a nice finish.

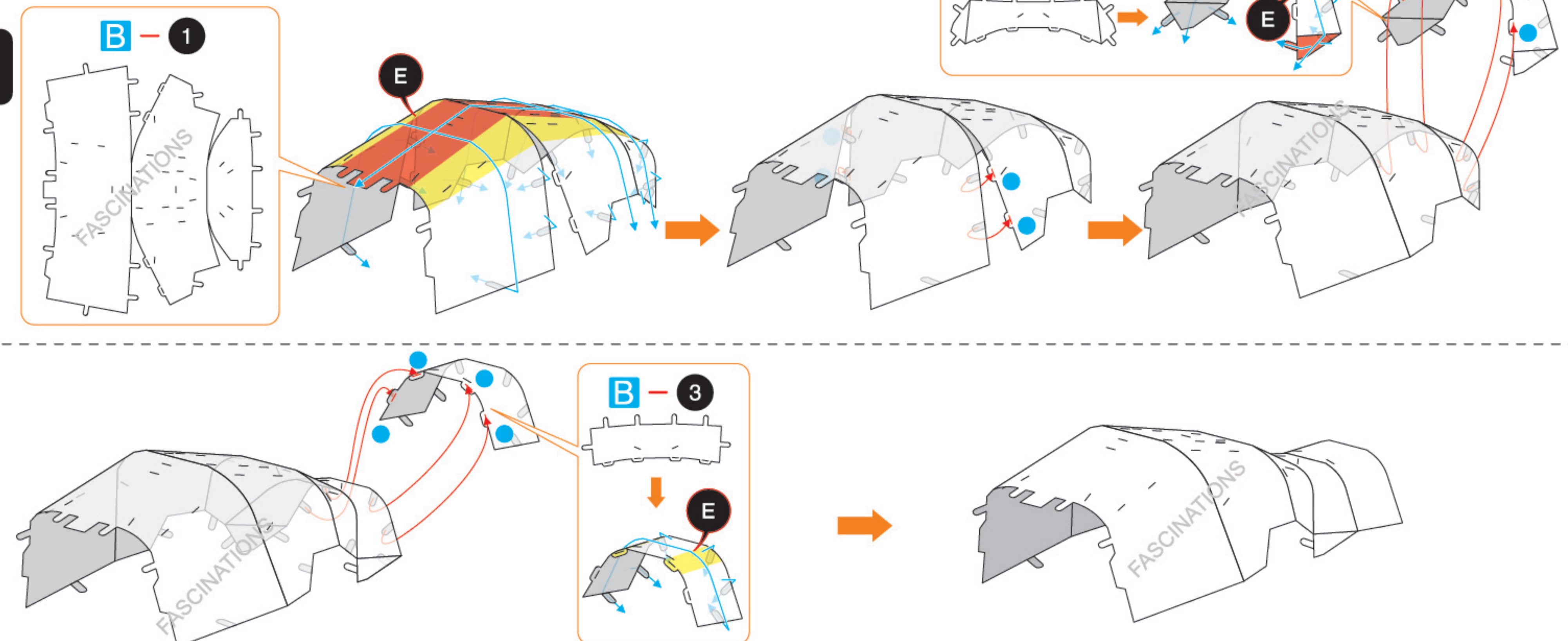
Yellow areas should be curled

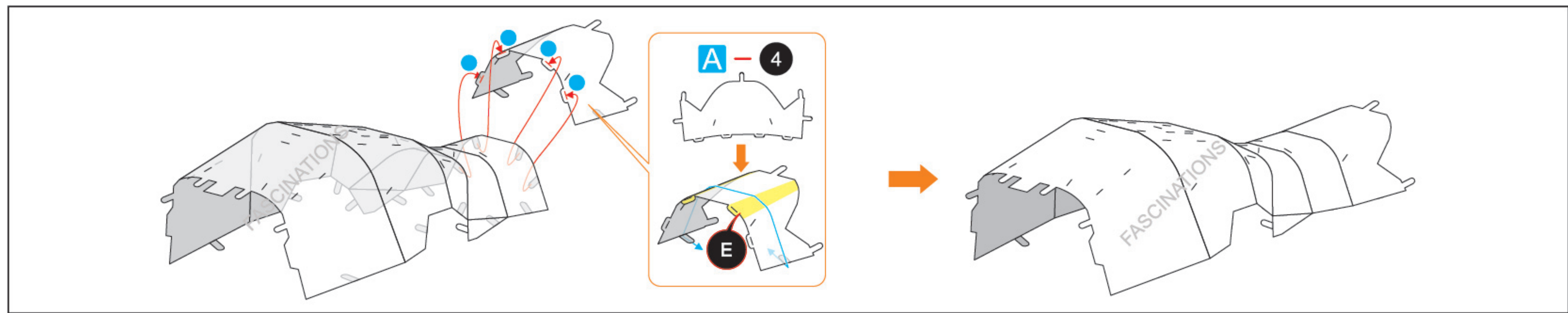
Red areas should be folded

In order to avoid possible injury from sharp edges, please carefully discard the metal sheets after parts have been removed.

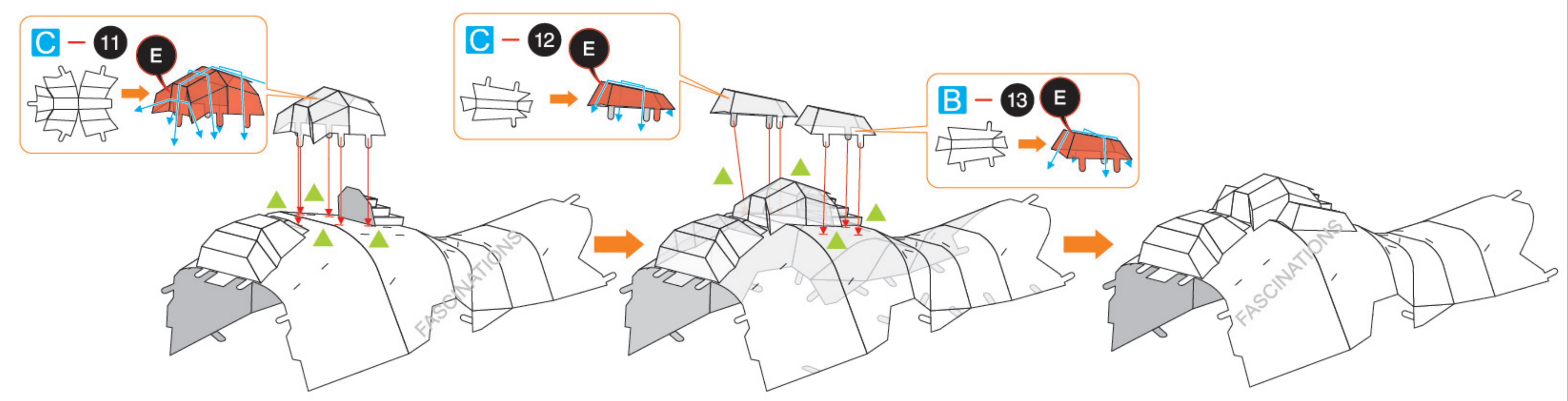
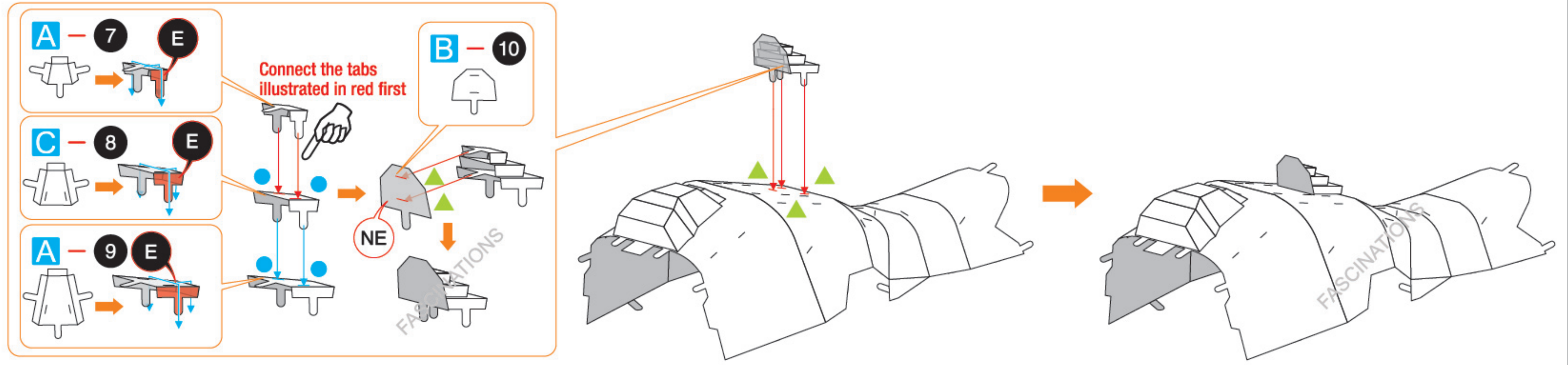
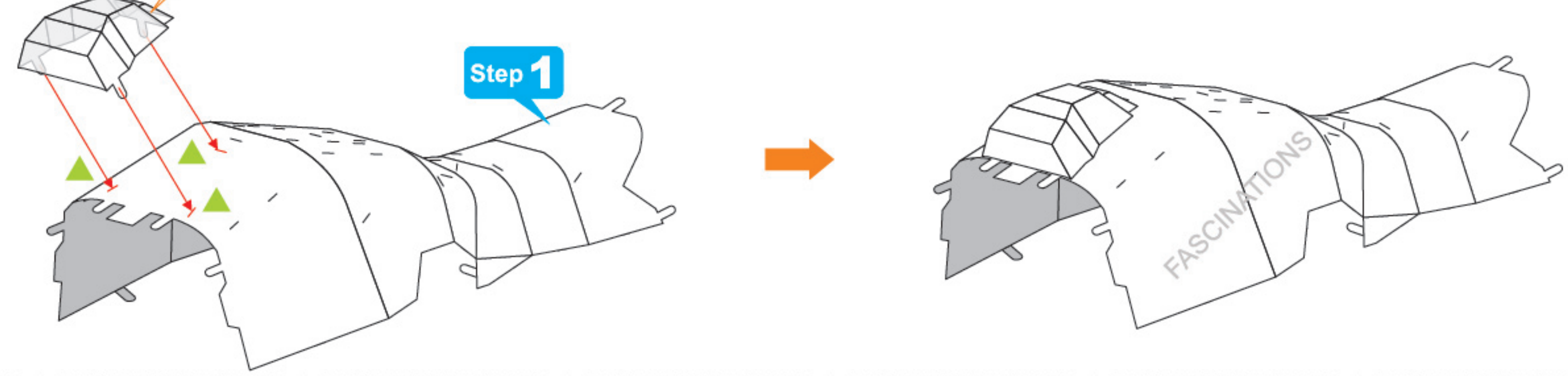
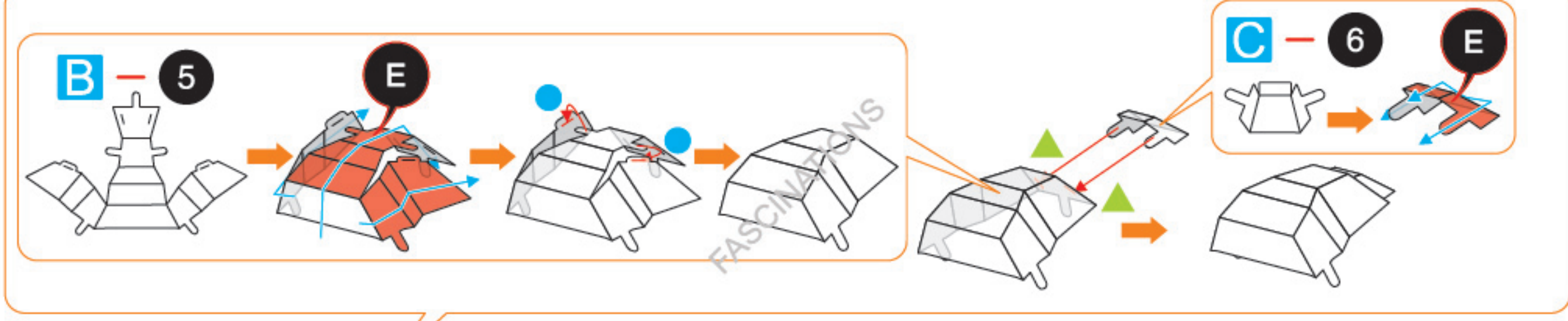
ASSEMBLY STEPS

Step 1

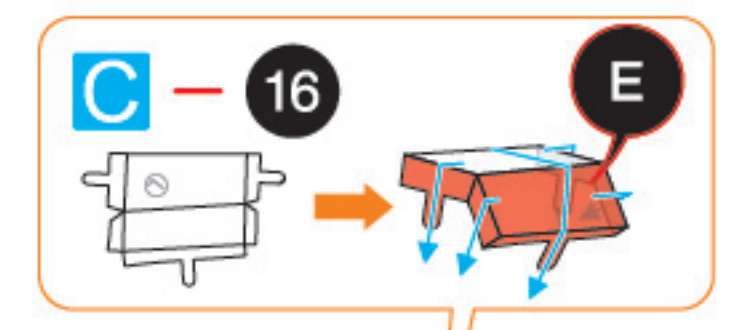
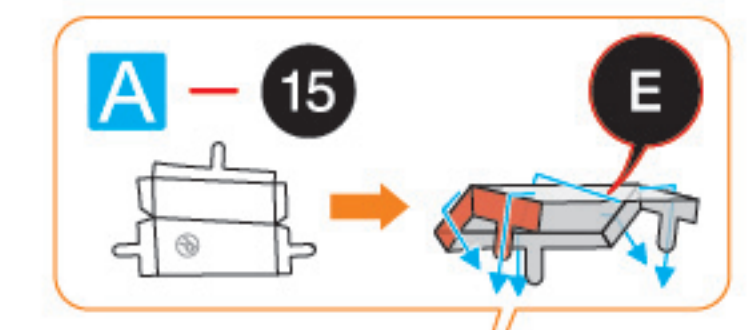
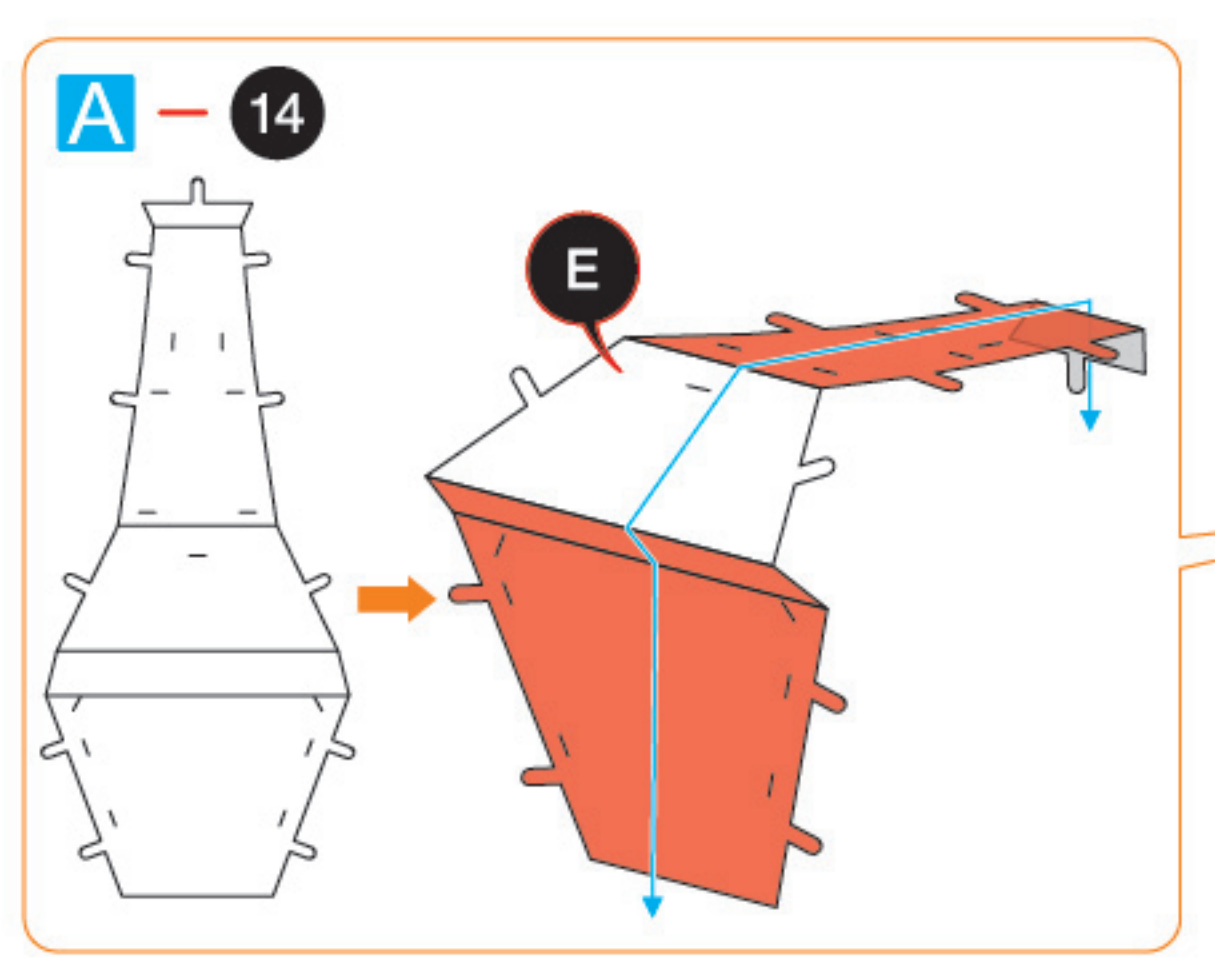




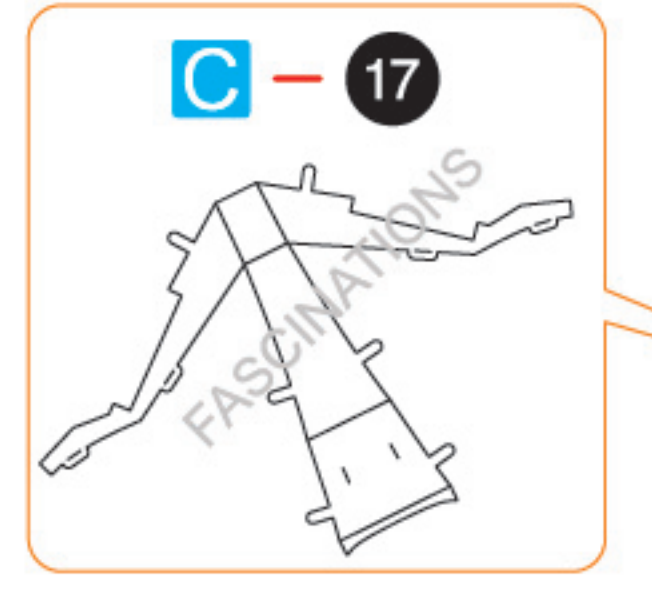
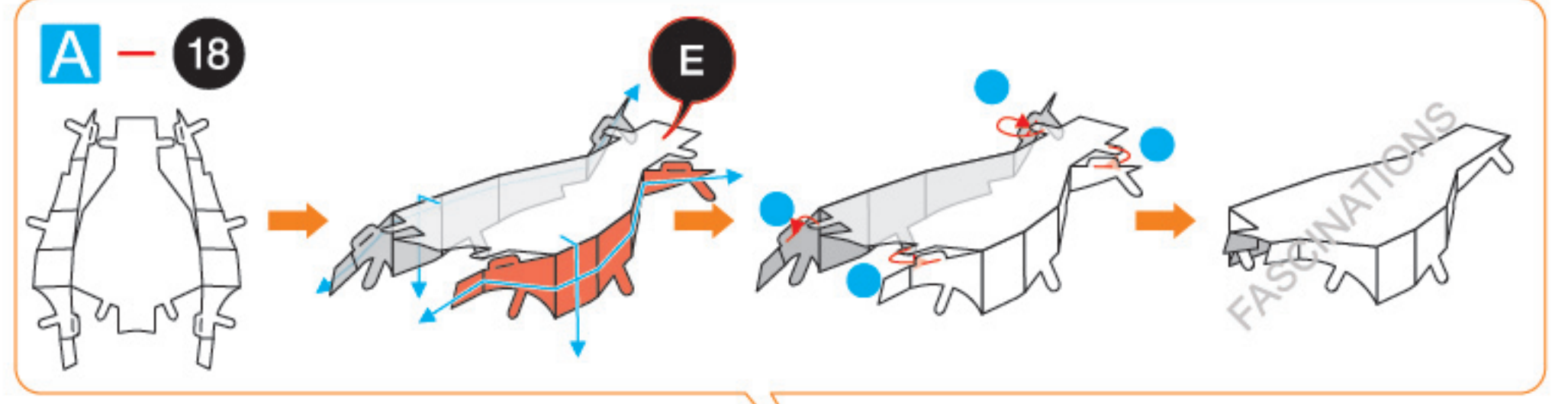
Step 2



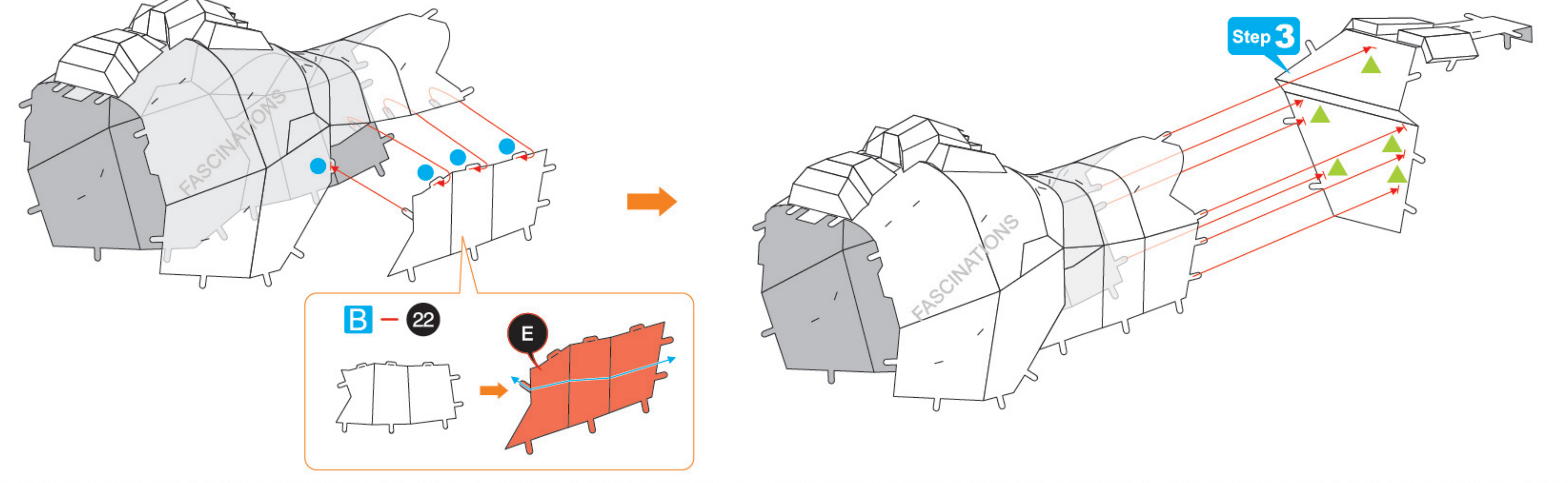
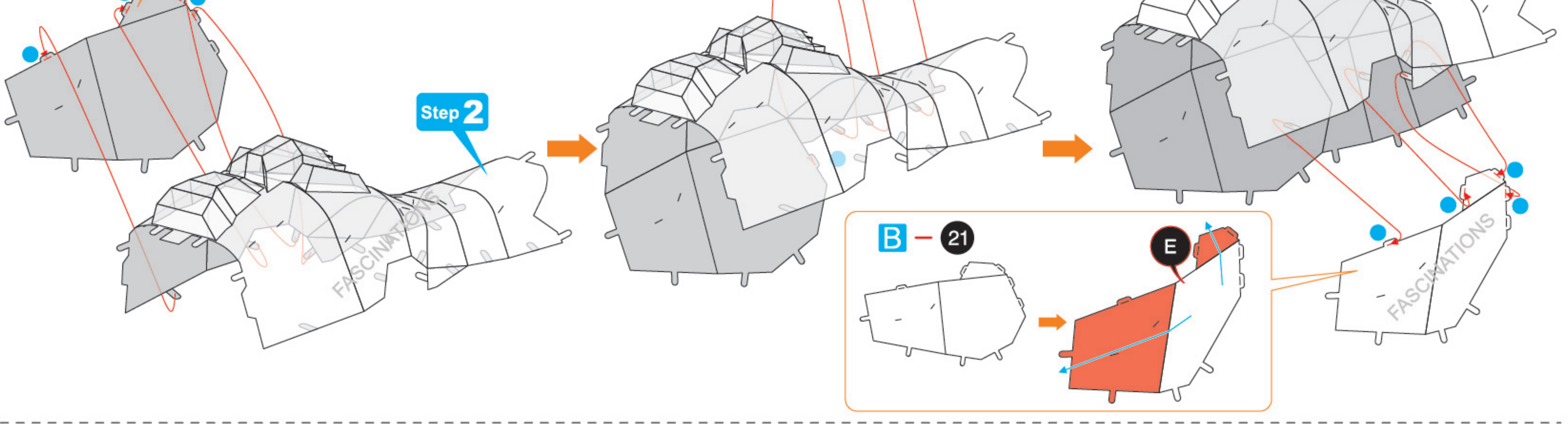
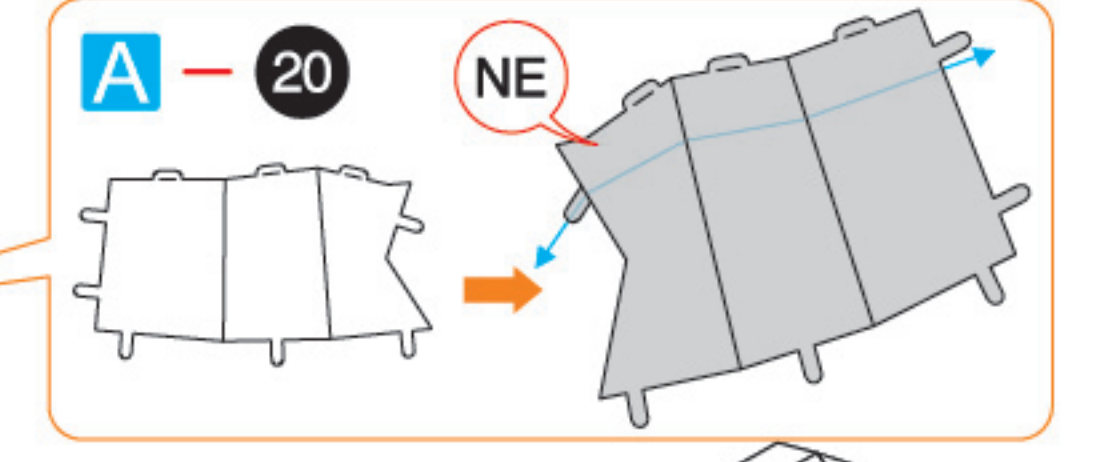
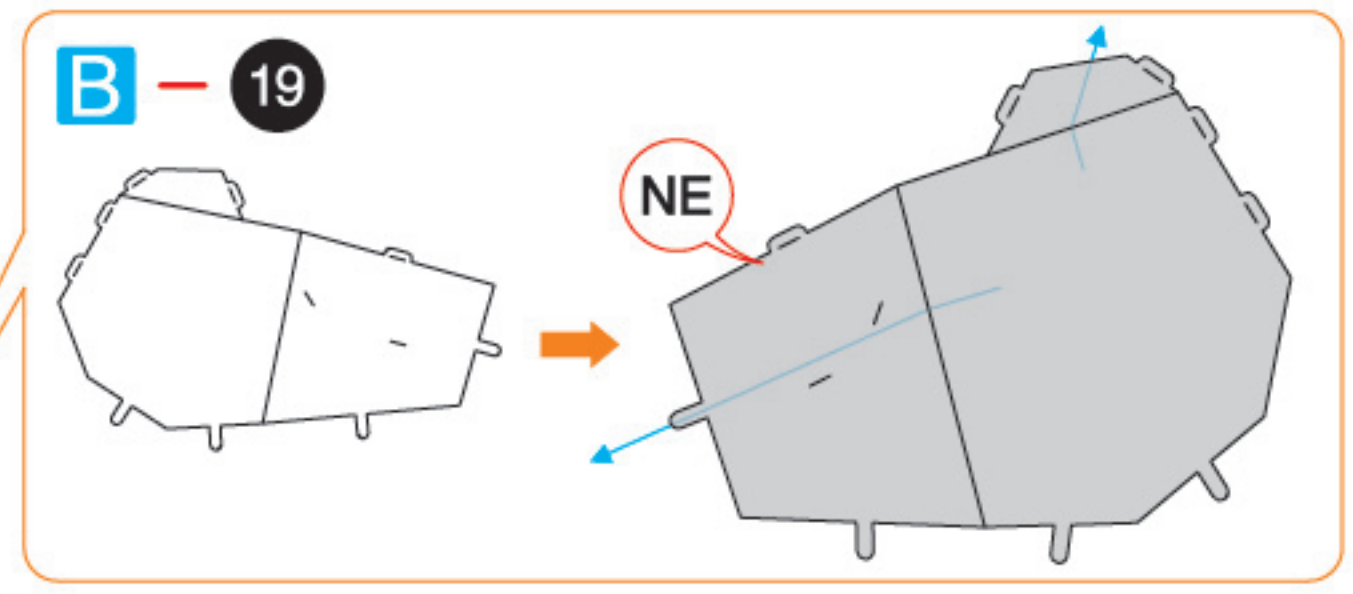
Step 3



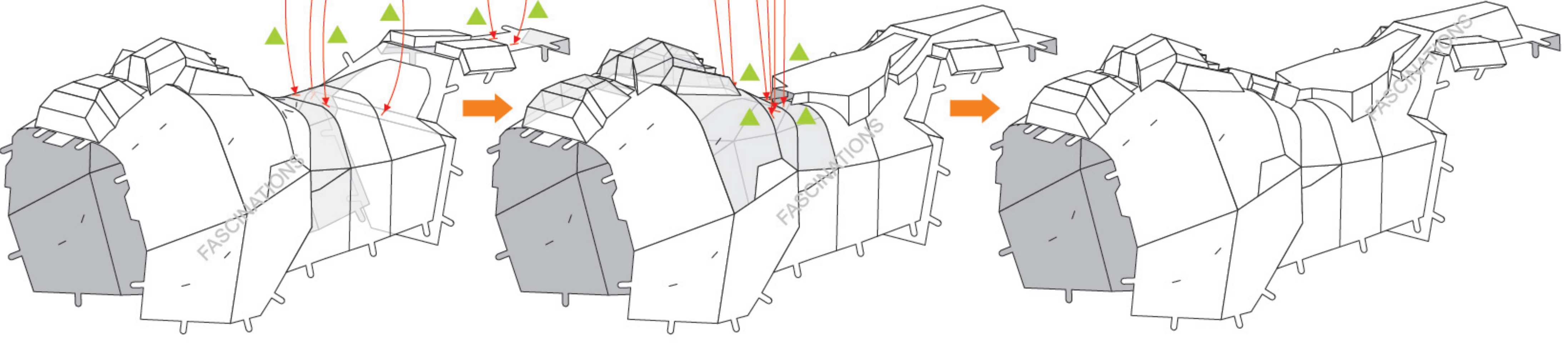
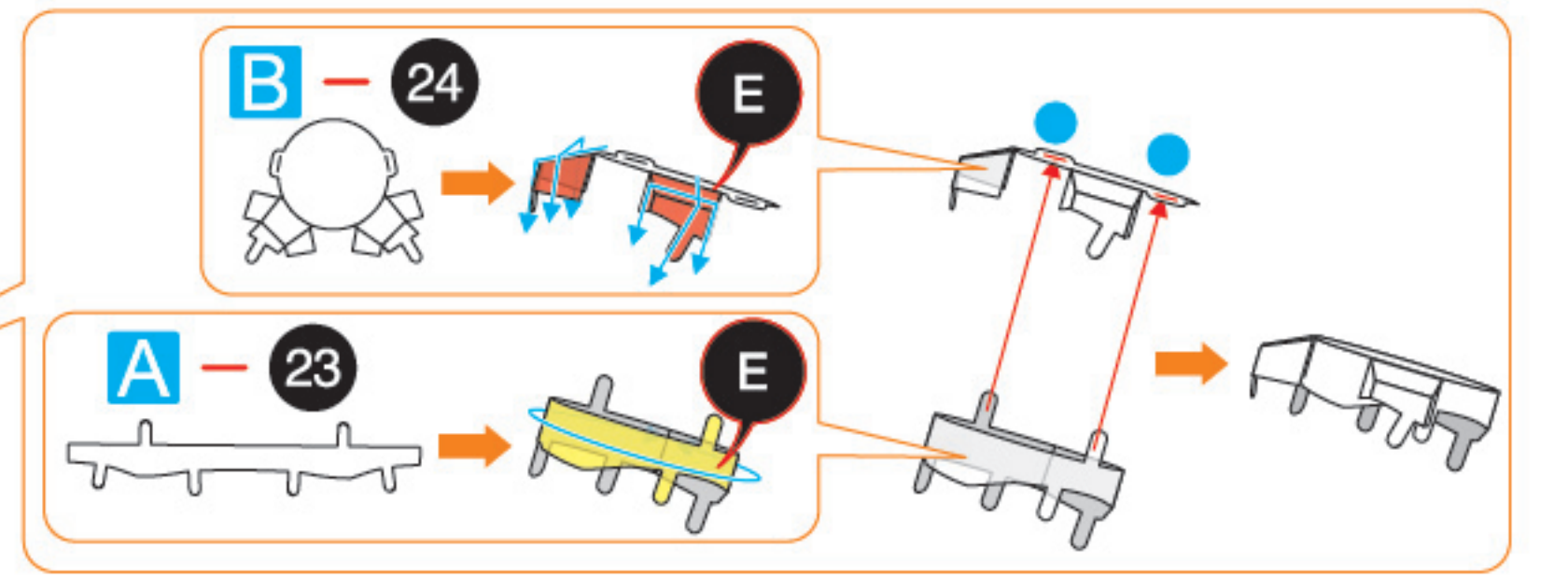
Step 4



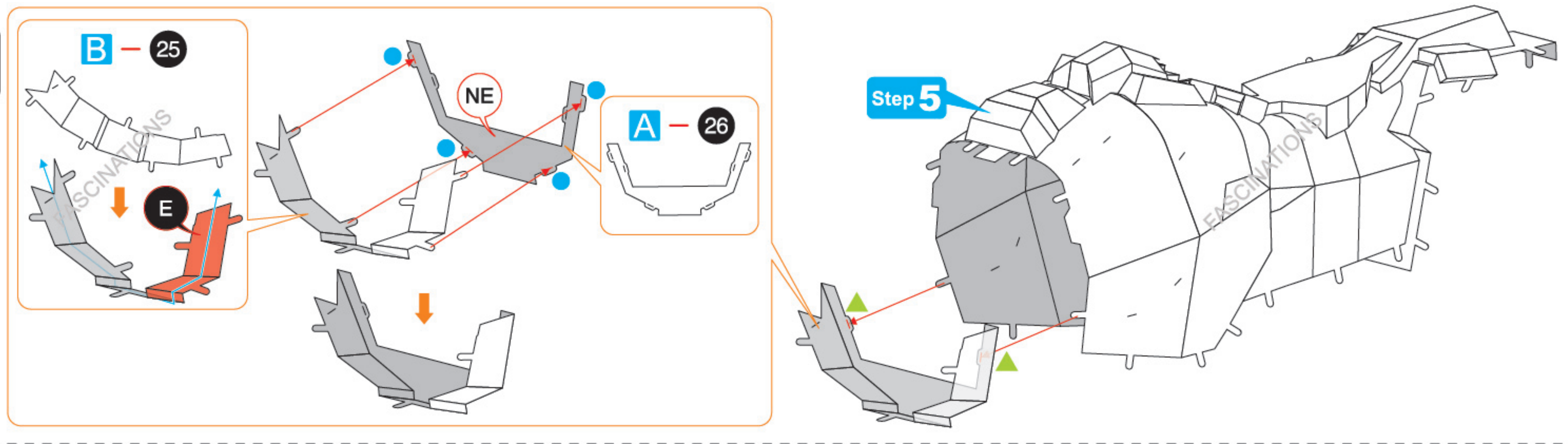
Step 5



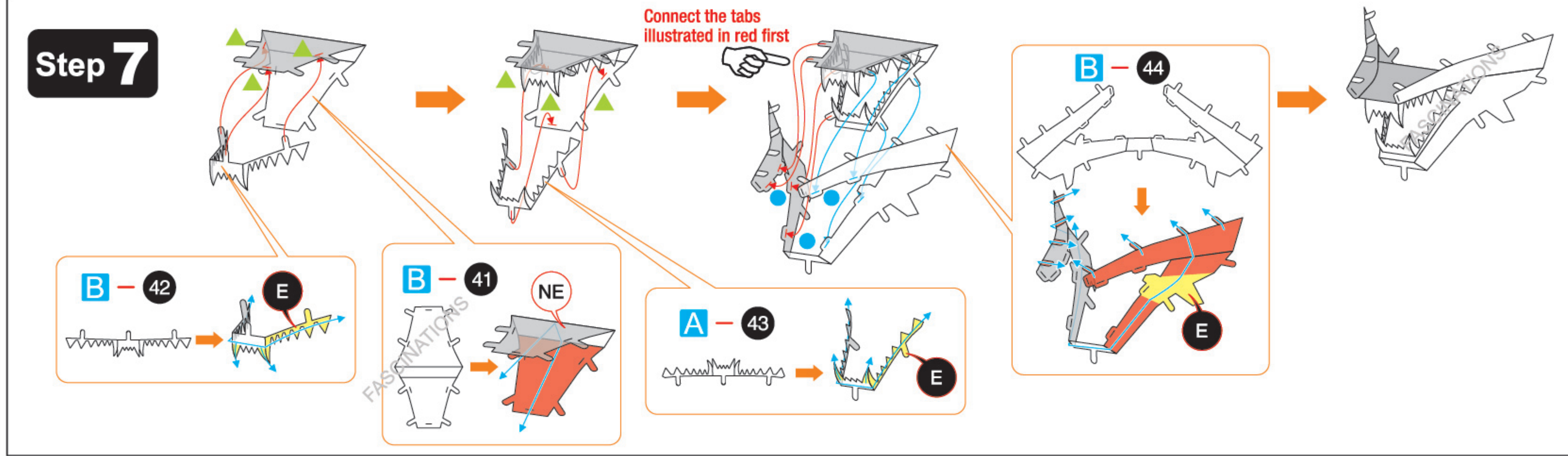
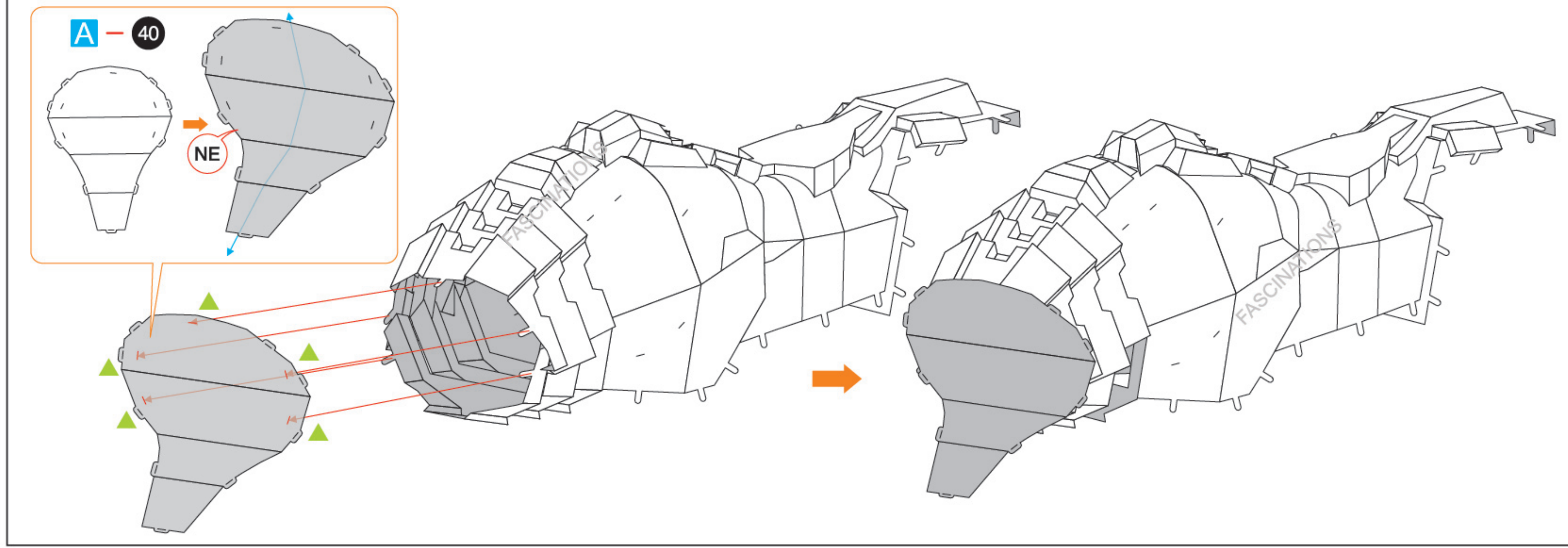
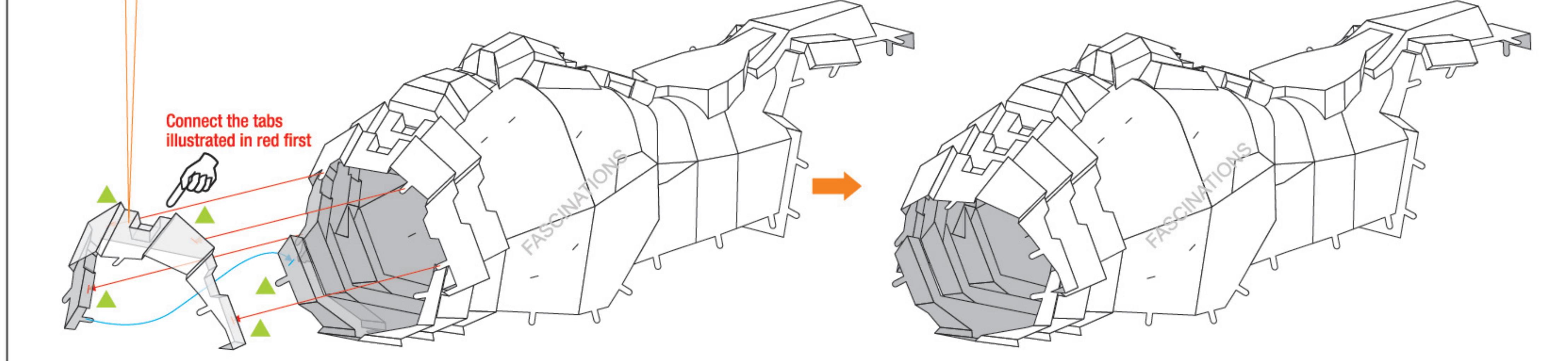
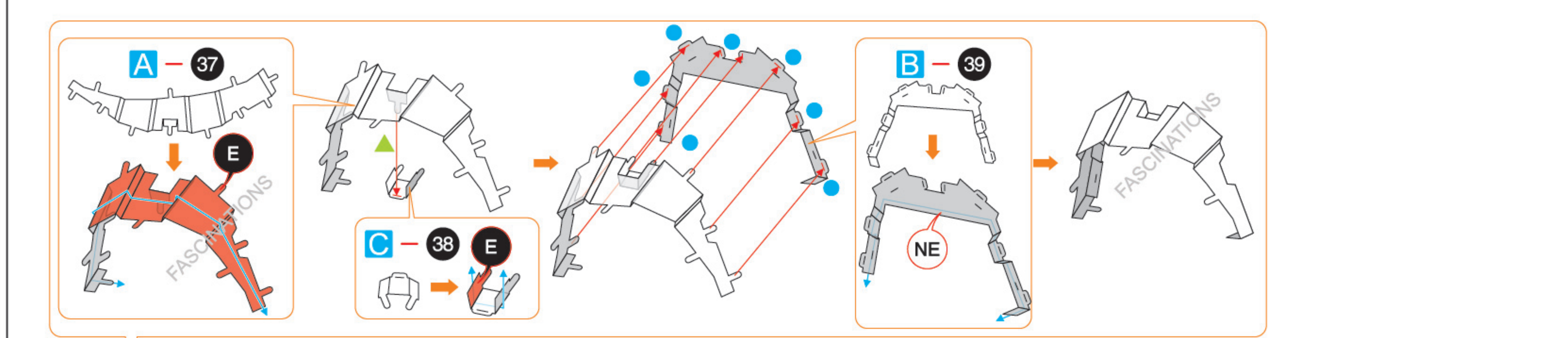
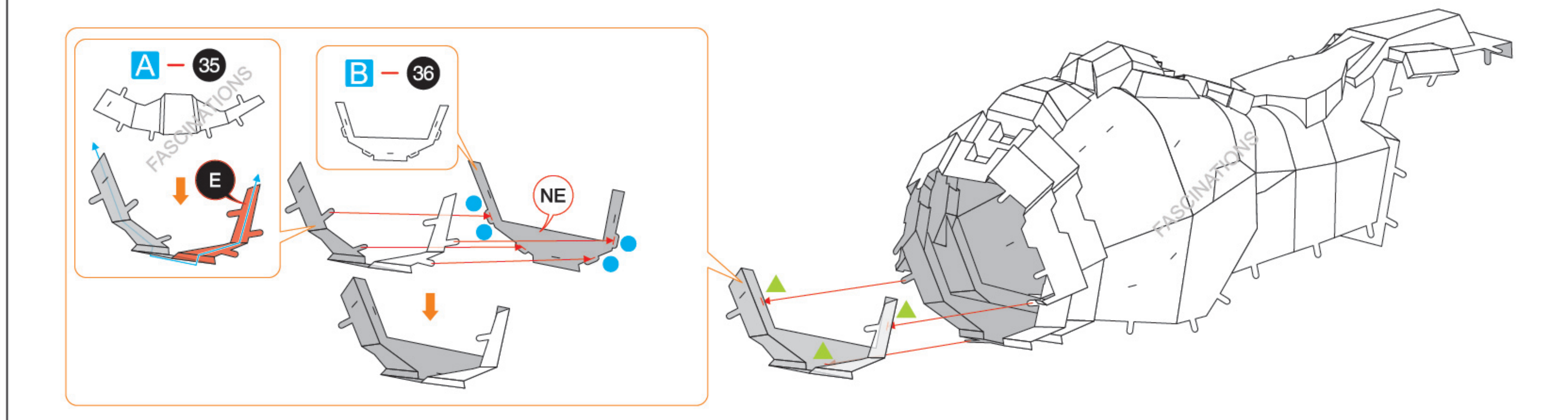
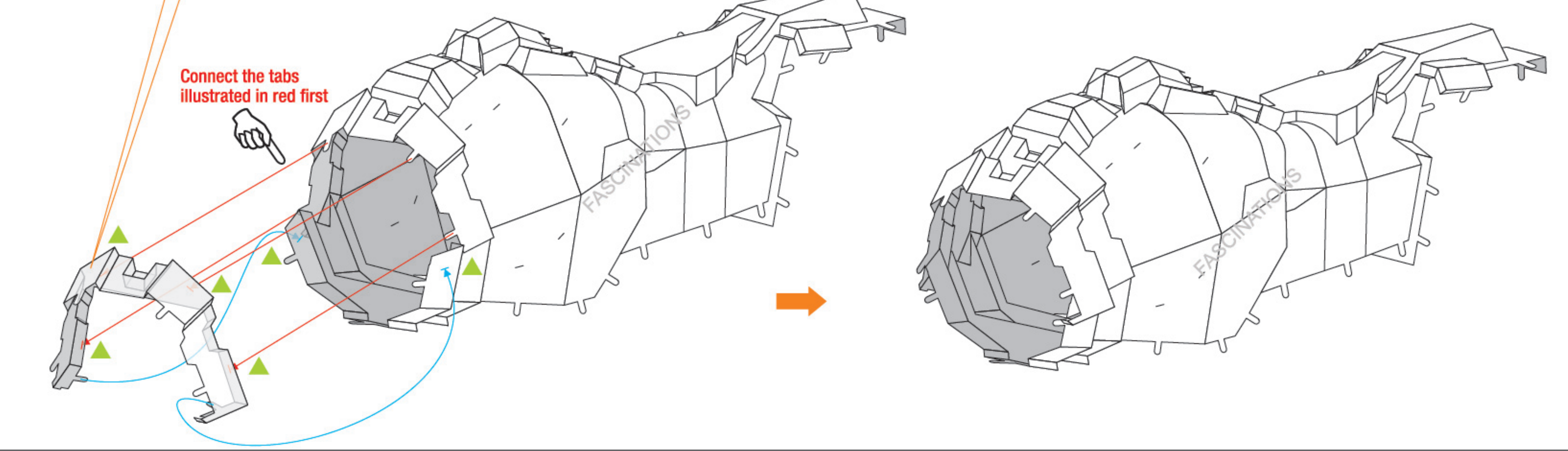
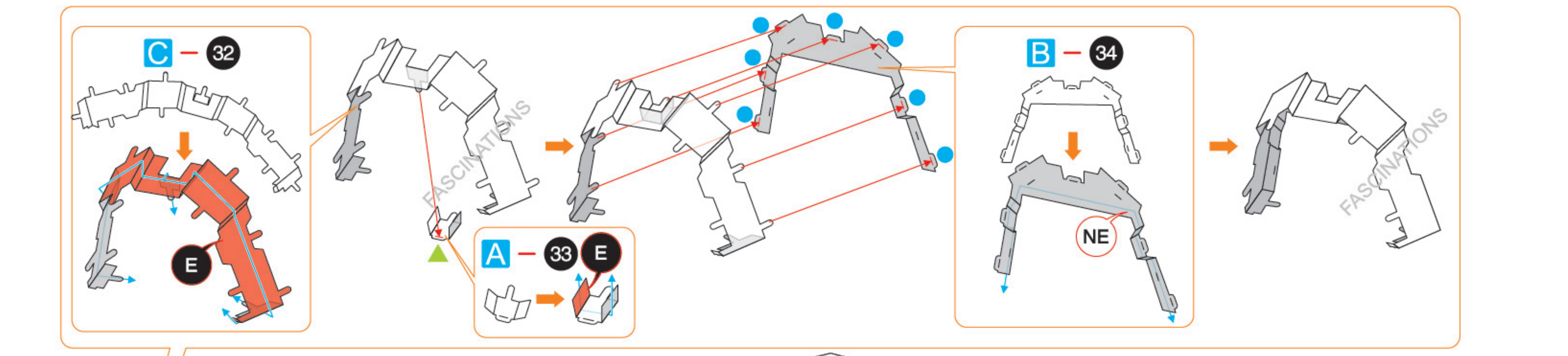
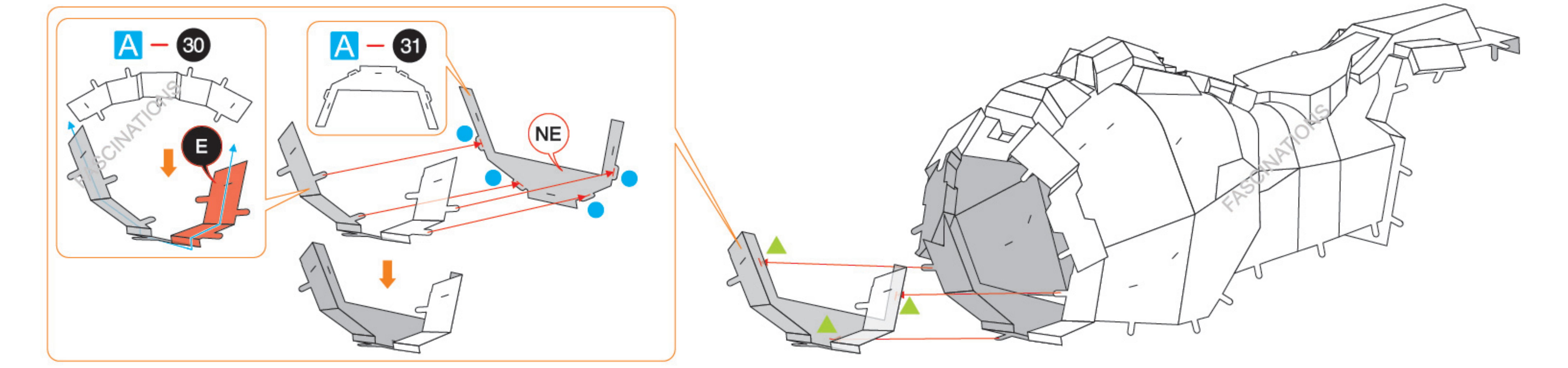
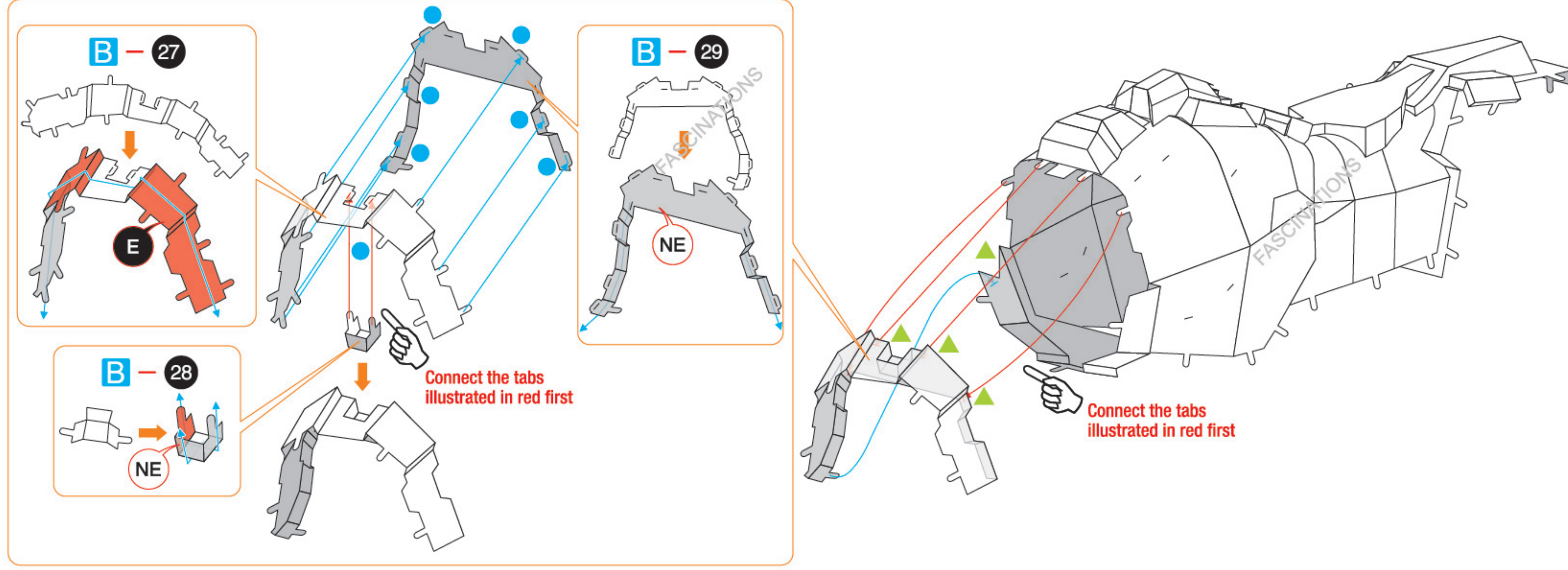
Step 4



Step 6



Step 5



Step 8

C - 45 E
B - 47 E
A - 48 E
C - 49 E Rotate

Connect the tabs illustrated in red first

Step 7

Step 6

Step 9

A - 50 E
B - 51 E
A - 52 E

Connect the tabs illustrated in red first

A - 54 E
C - 53 Pay attention to the direction E
B - 55 E Pay attention to the direction
A - 57 NE
A - 58 NE

Pay attention to the direction

Match the number markings before making connections

C - 56 E

C - 59 E

Step 10

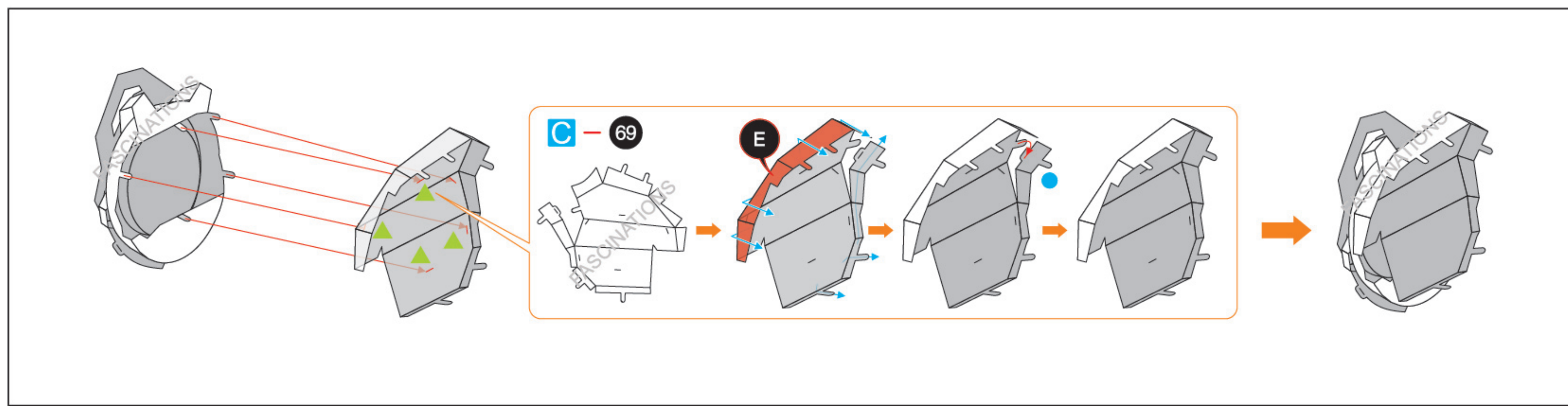
B - 61 NE
A - 60 NE
A - 62 E

Connect the tabs illustrated in red first

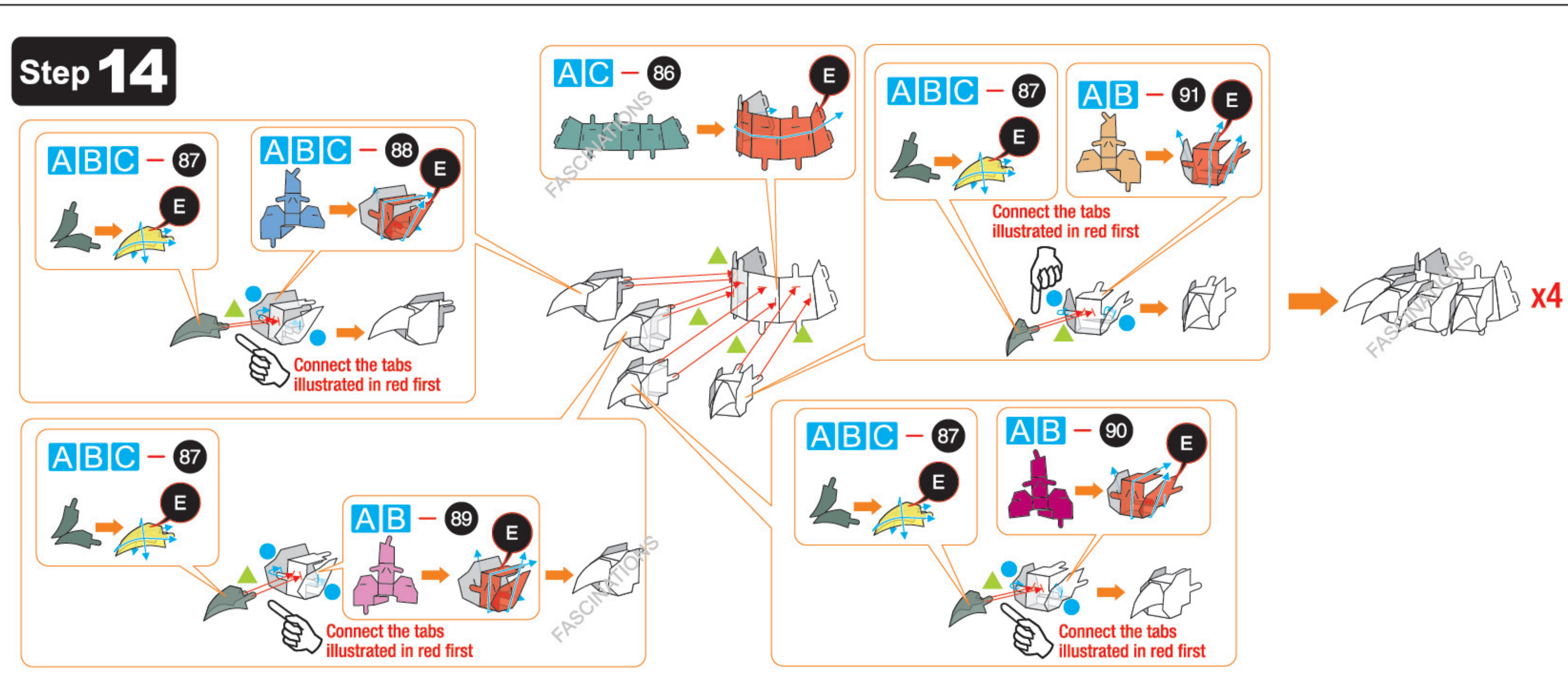
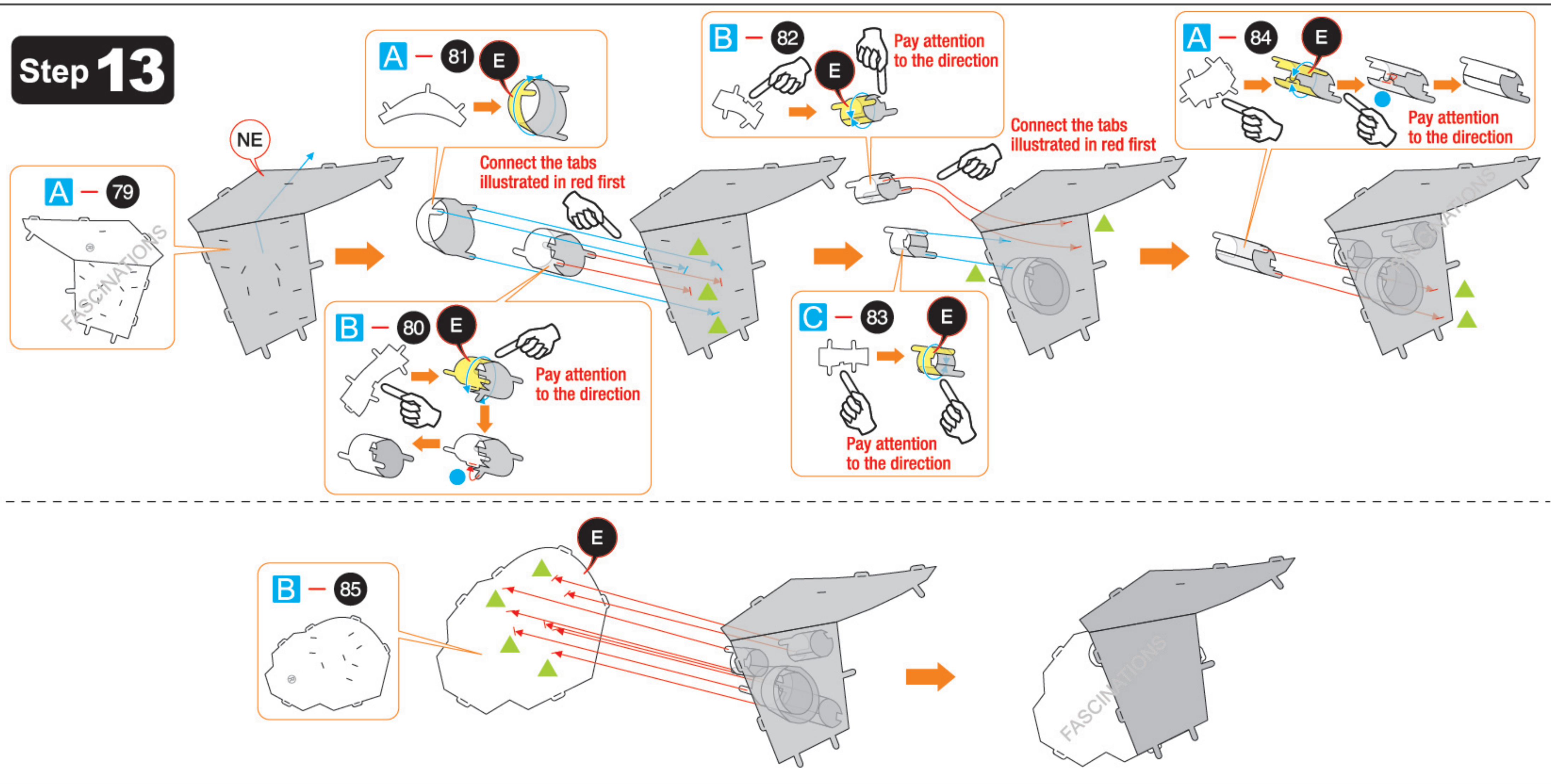
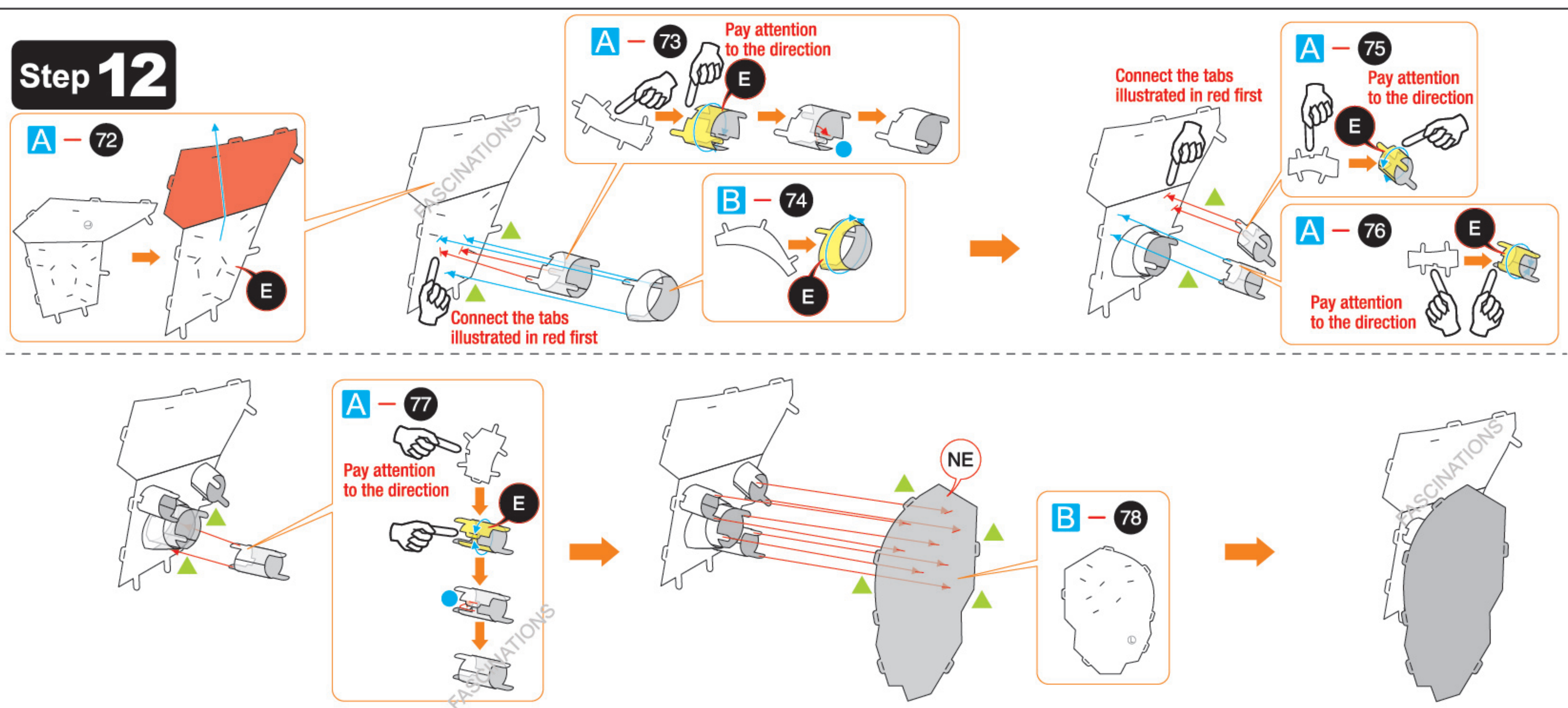
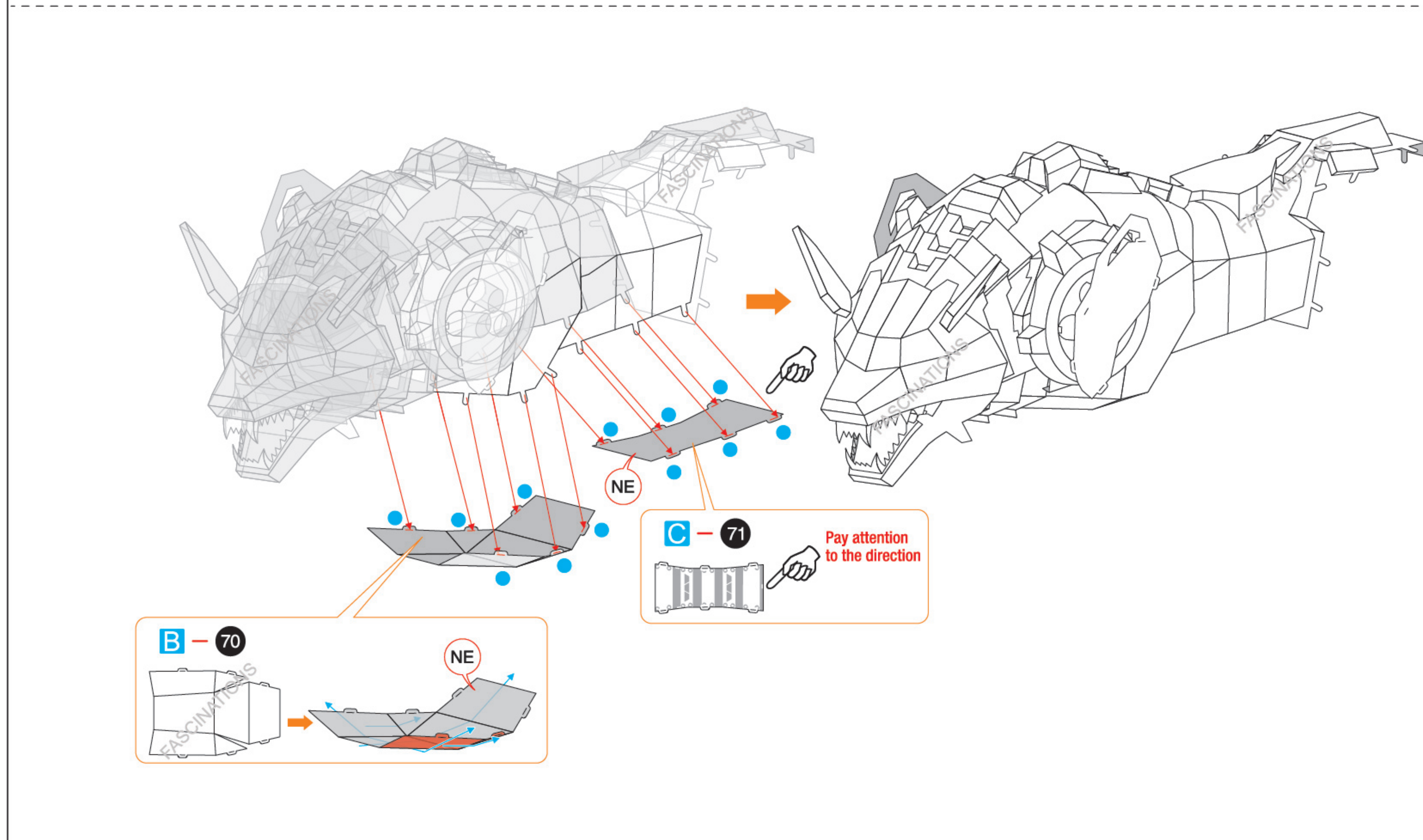
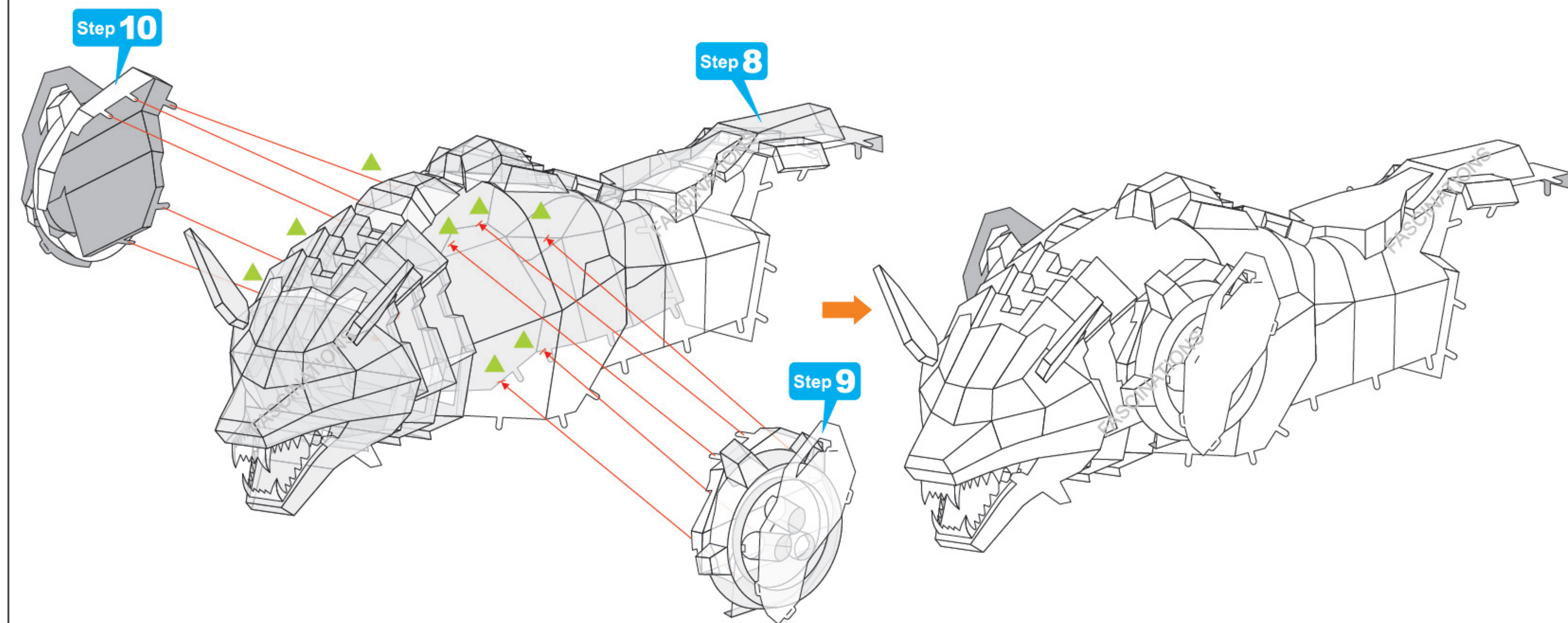
A - 63 NE
A - 66 E Pay attention to the direction
B - 67 E
B - 68 E
C - 65 E Pay attention to the direction

Match the number markings before making connections

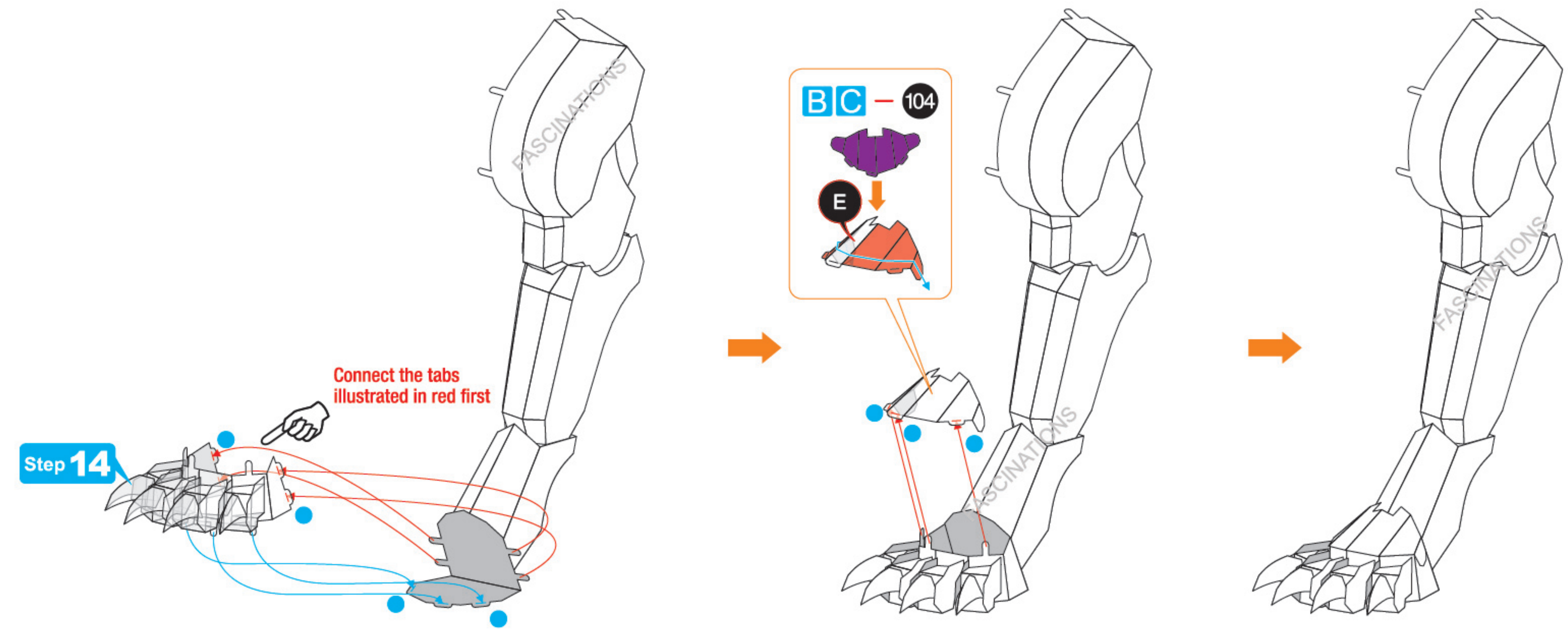
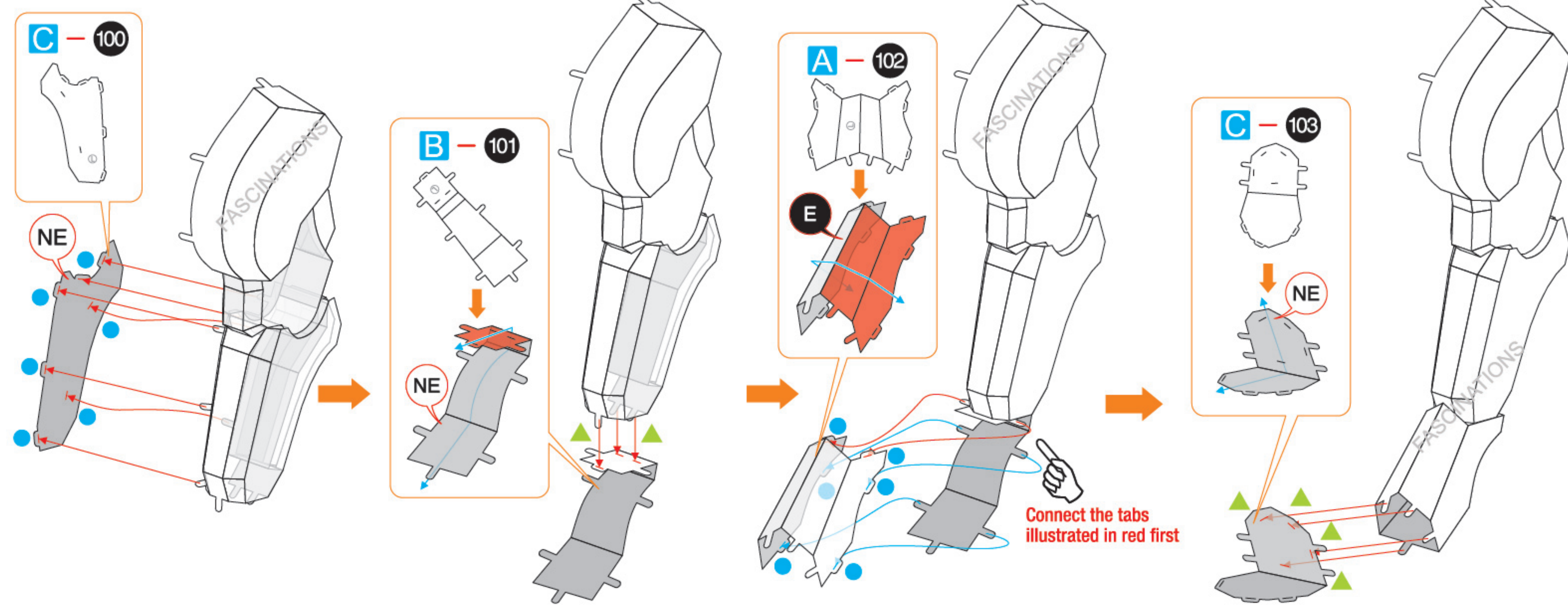
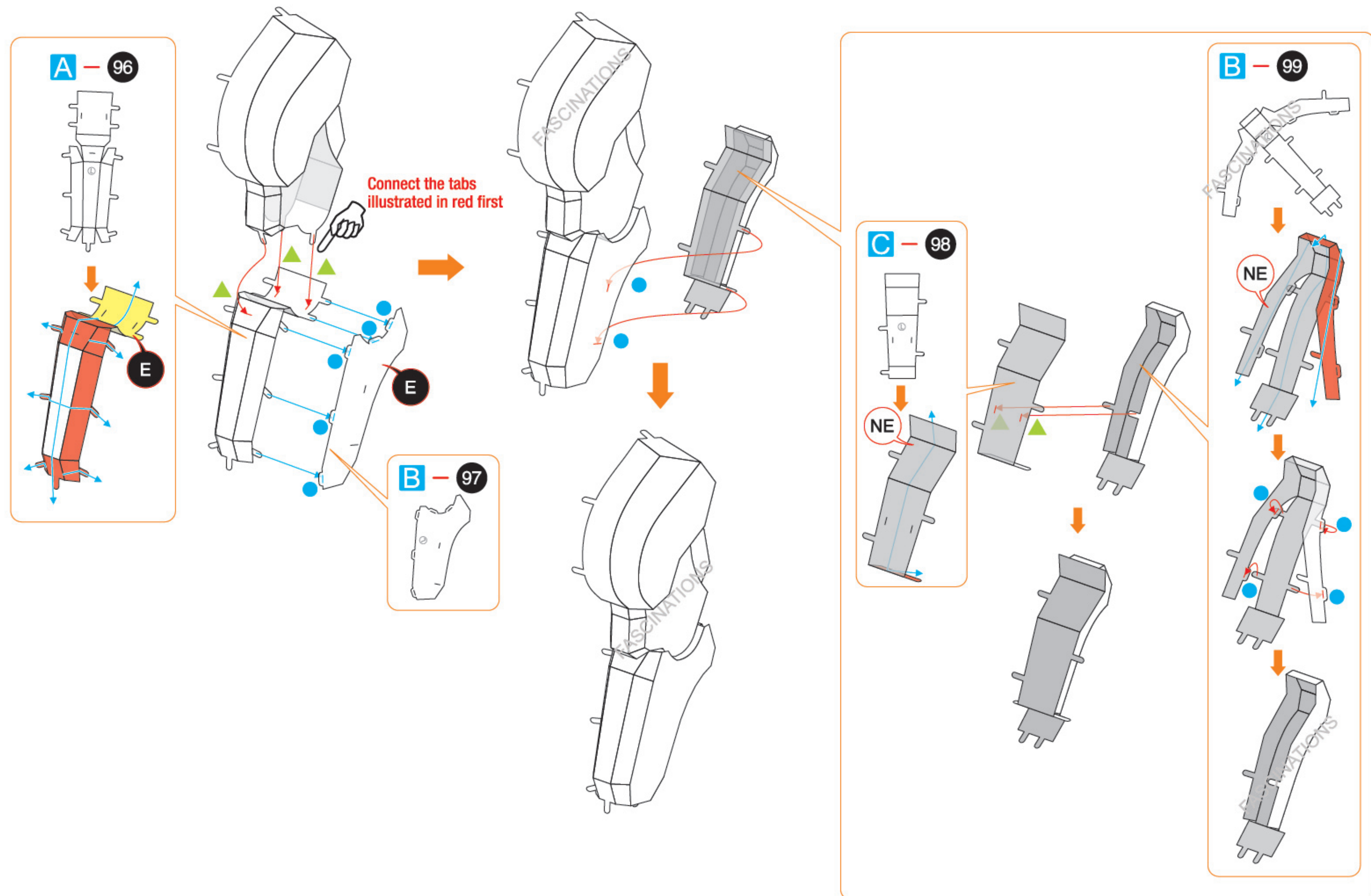
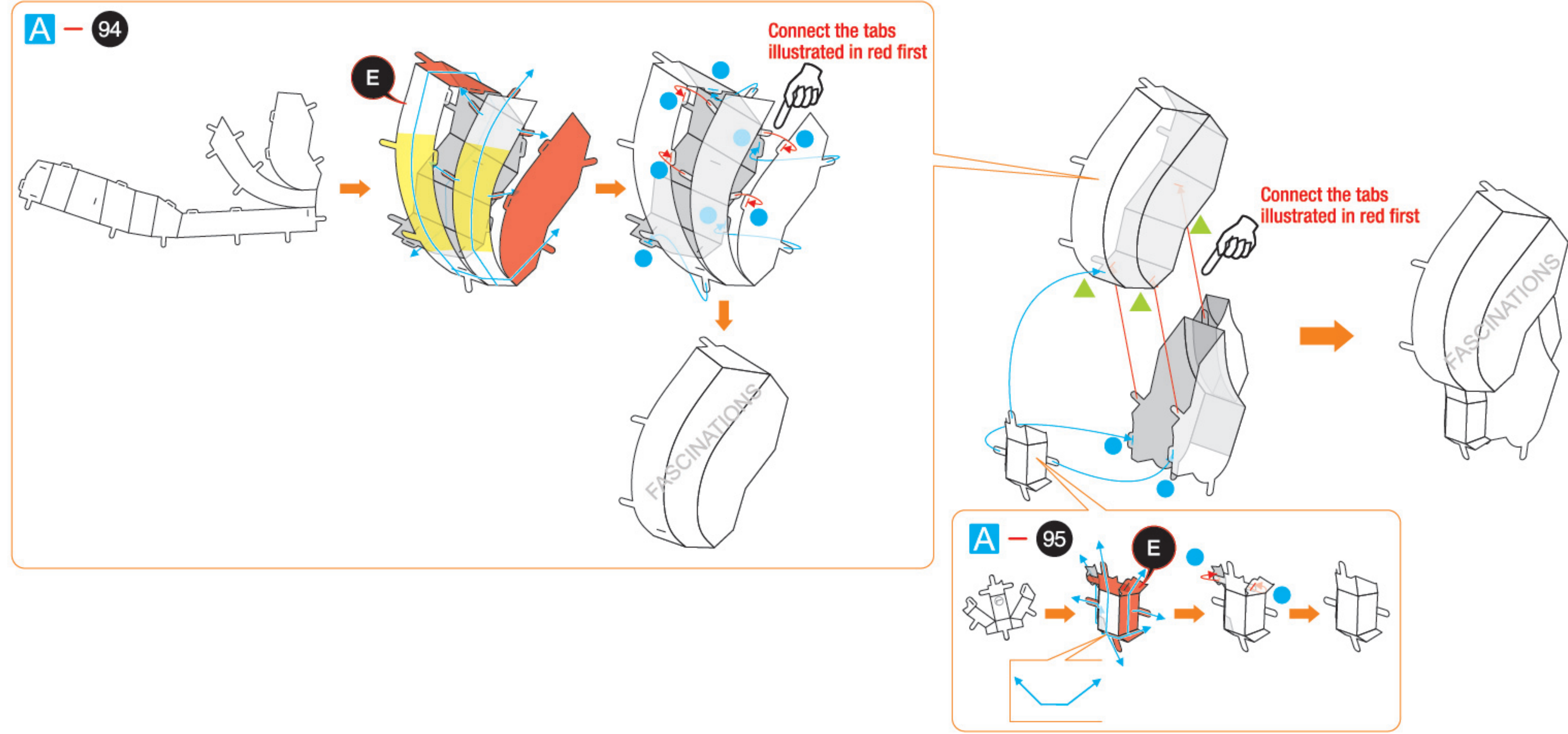
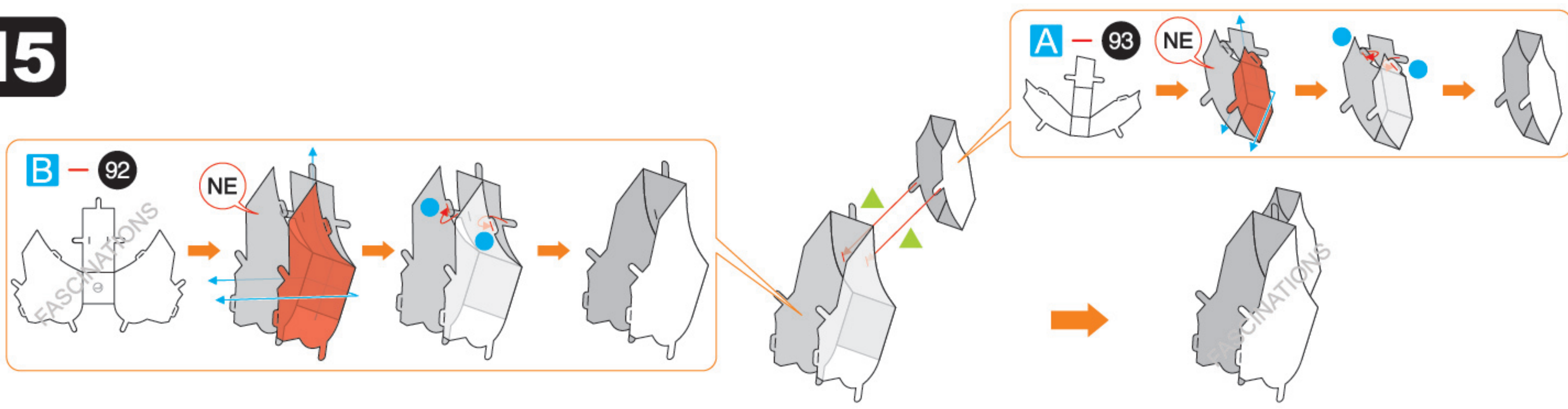
Pay attention to the direction



Step 11

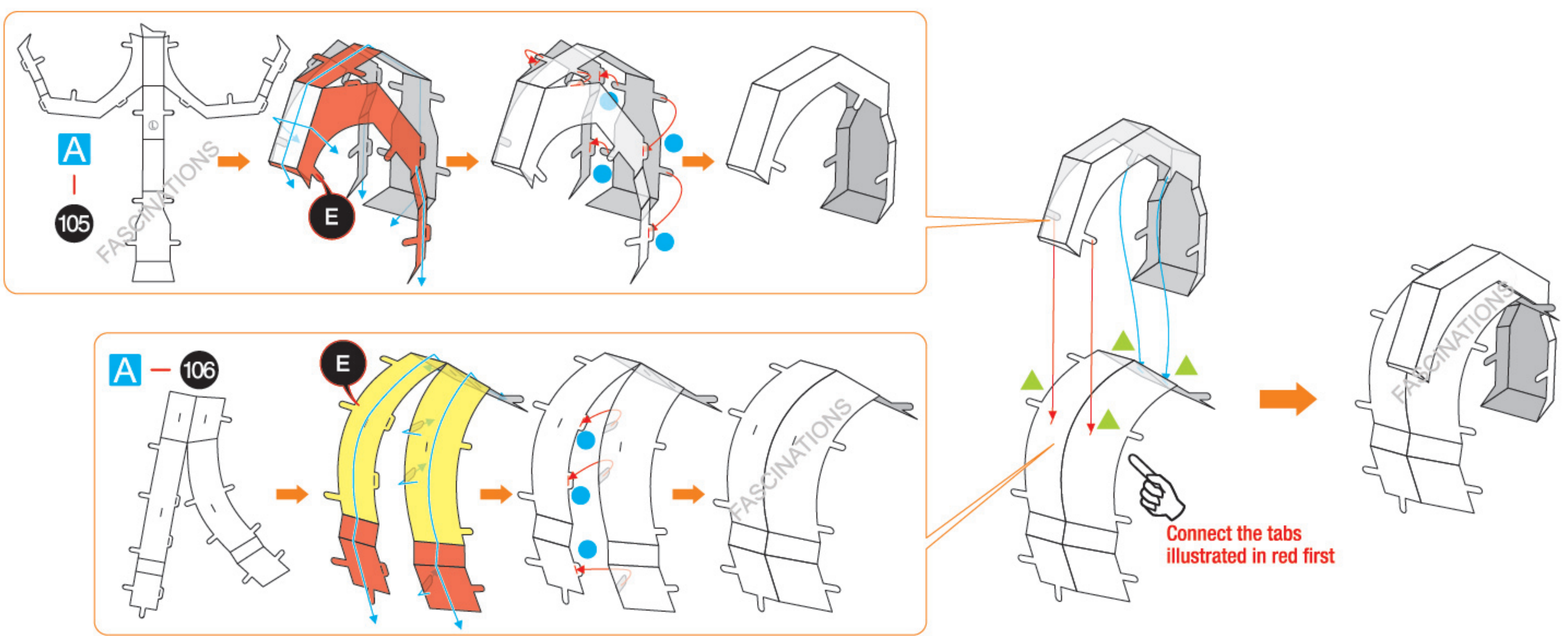


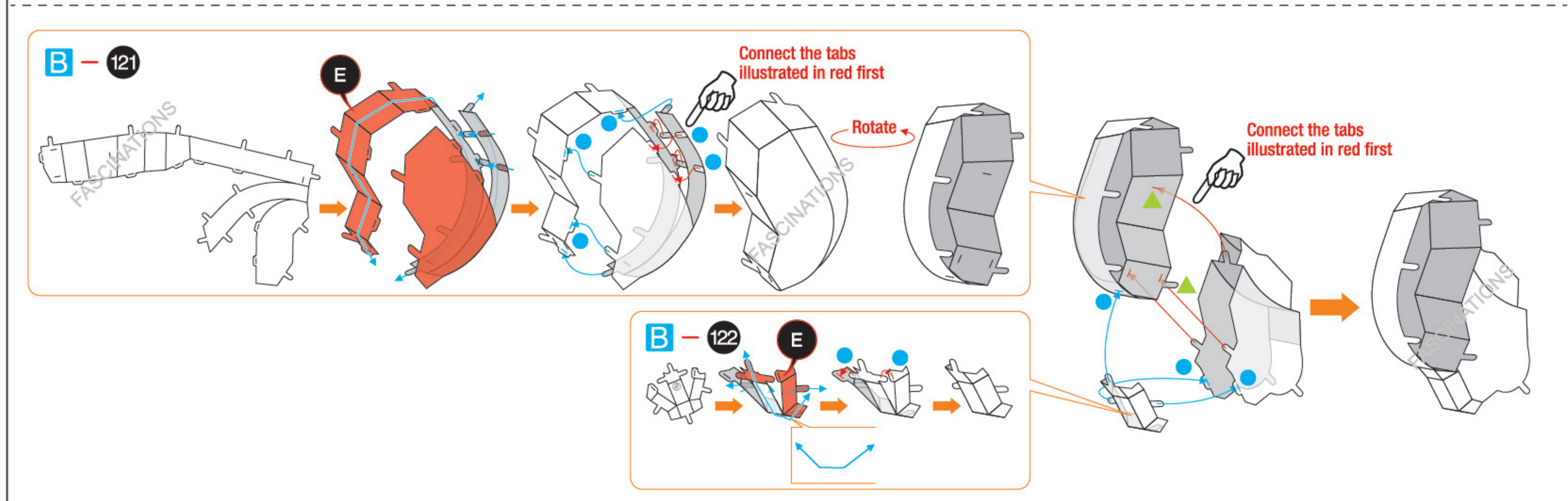
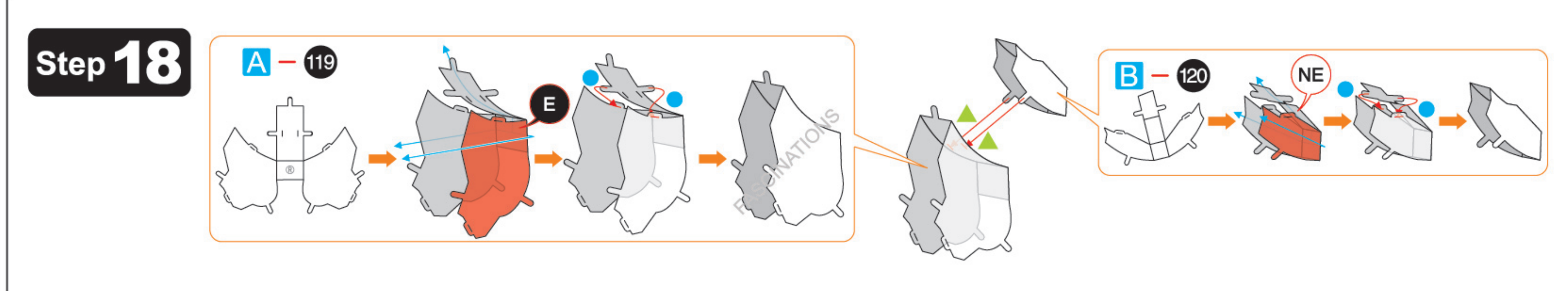
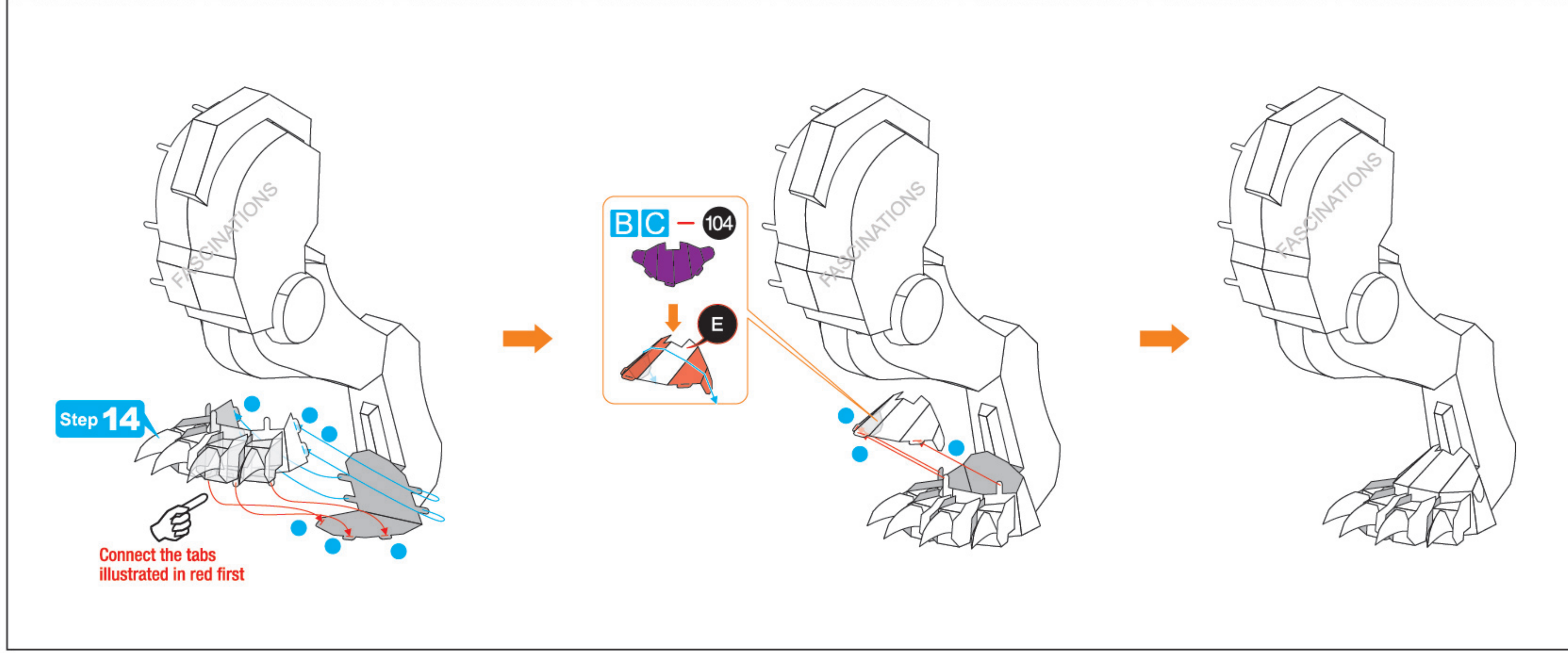
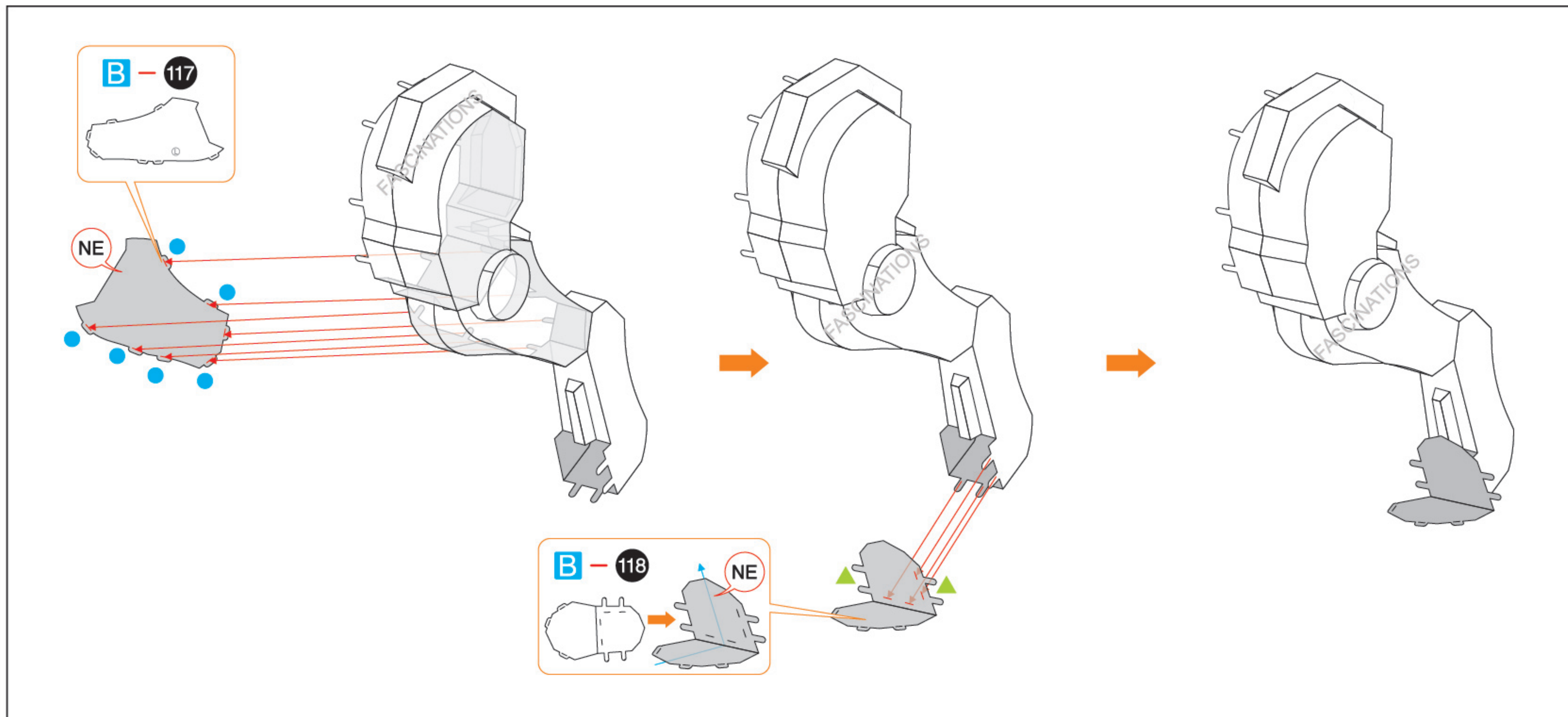
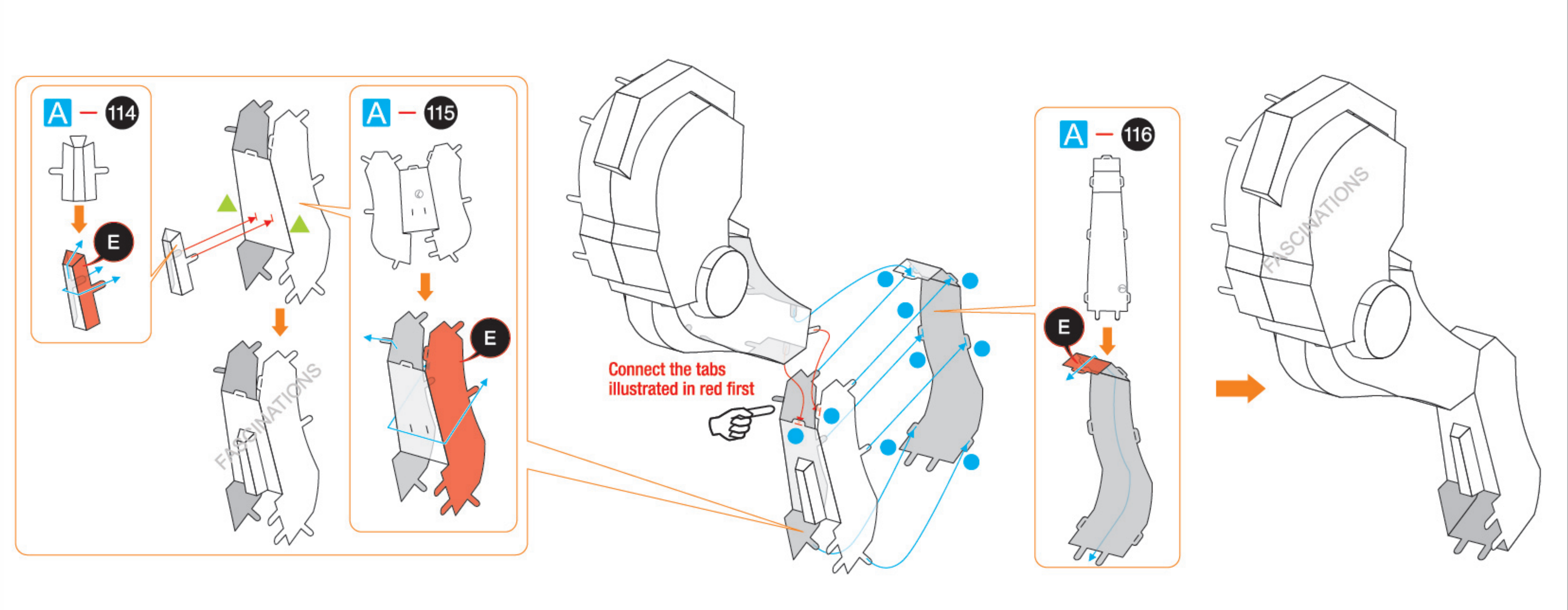
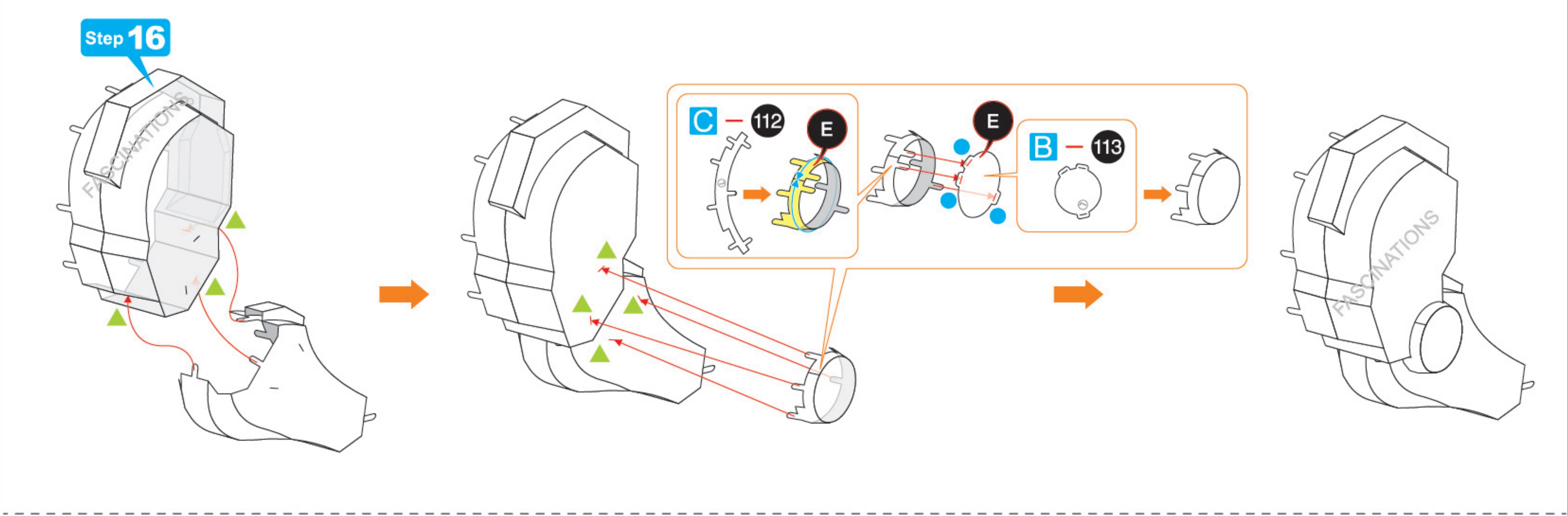
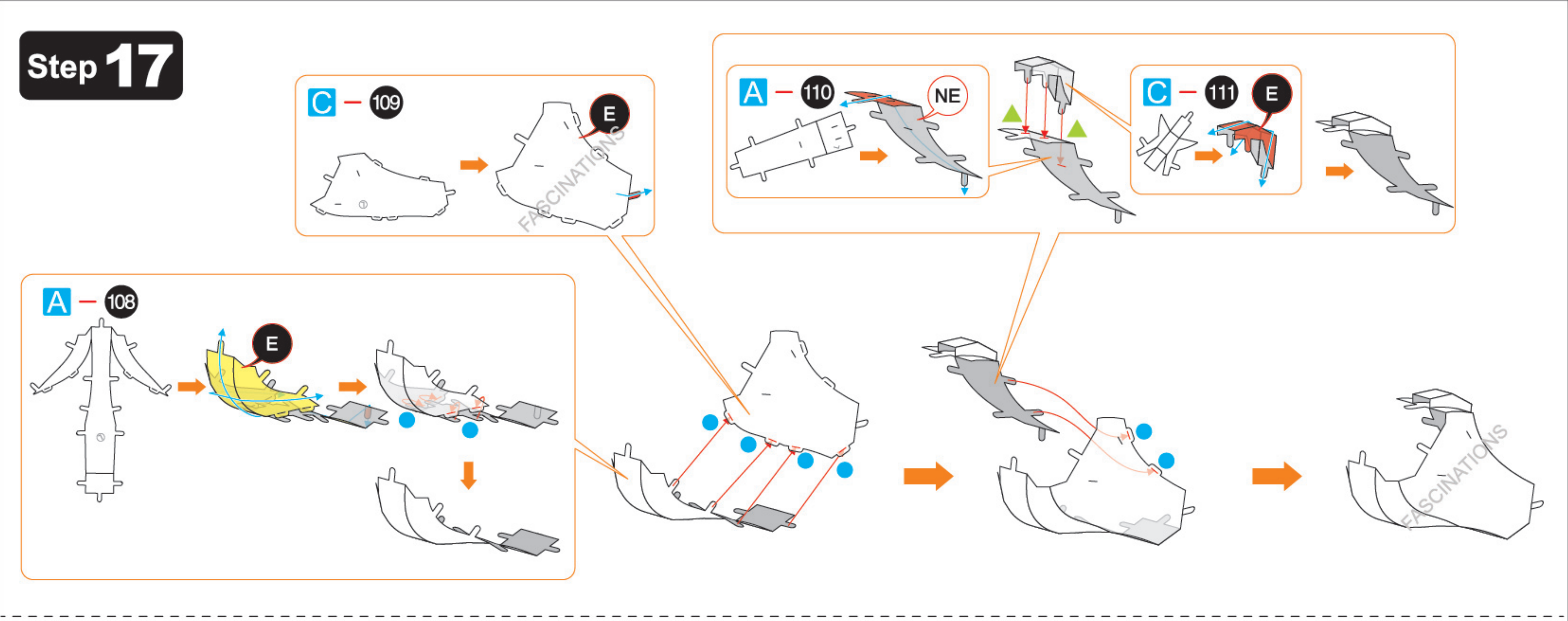
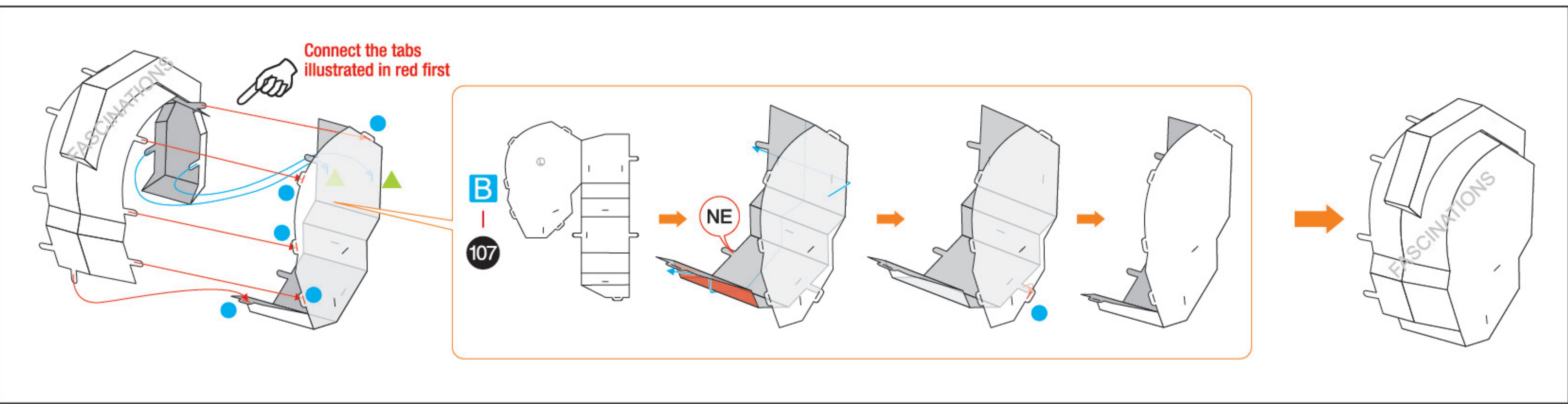
Step 15

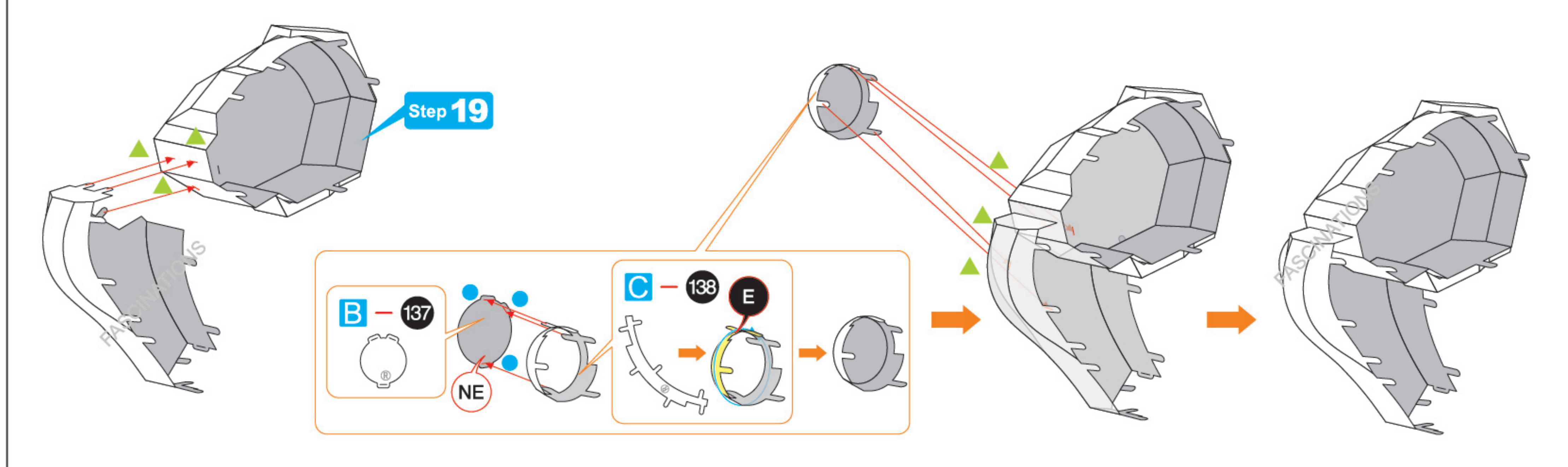
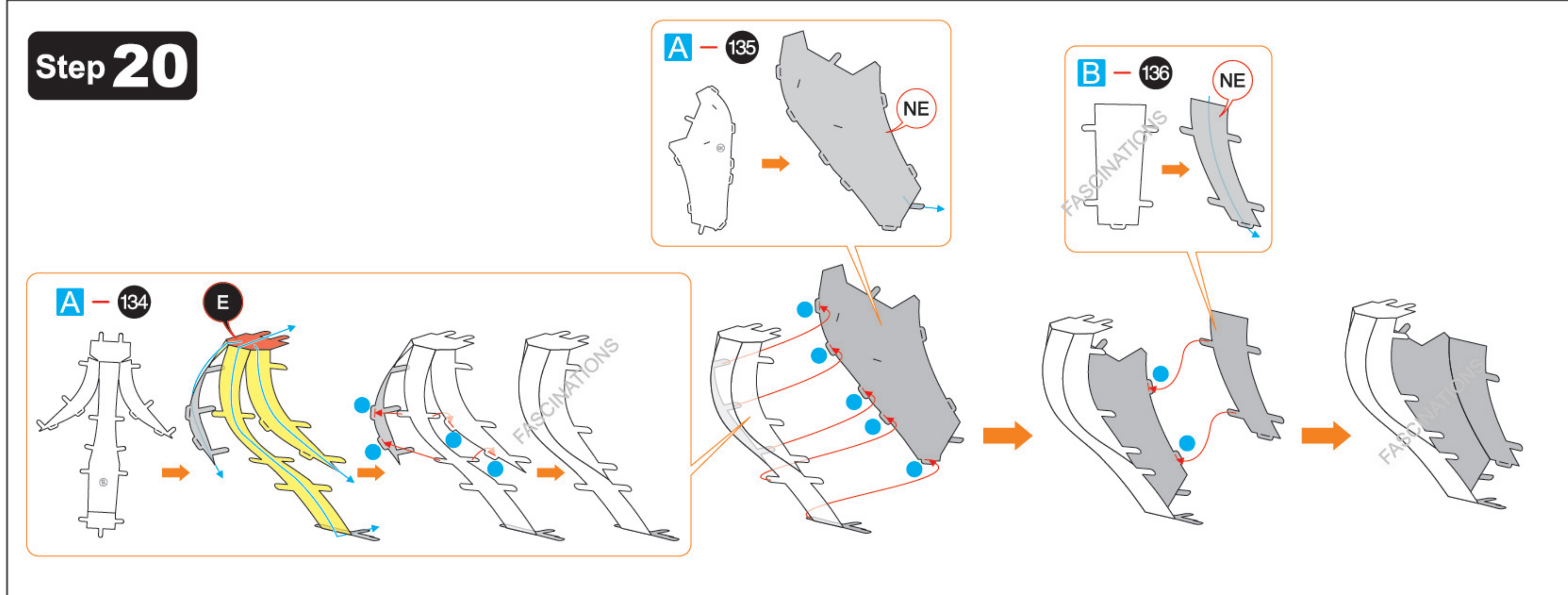
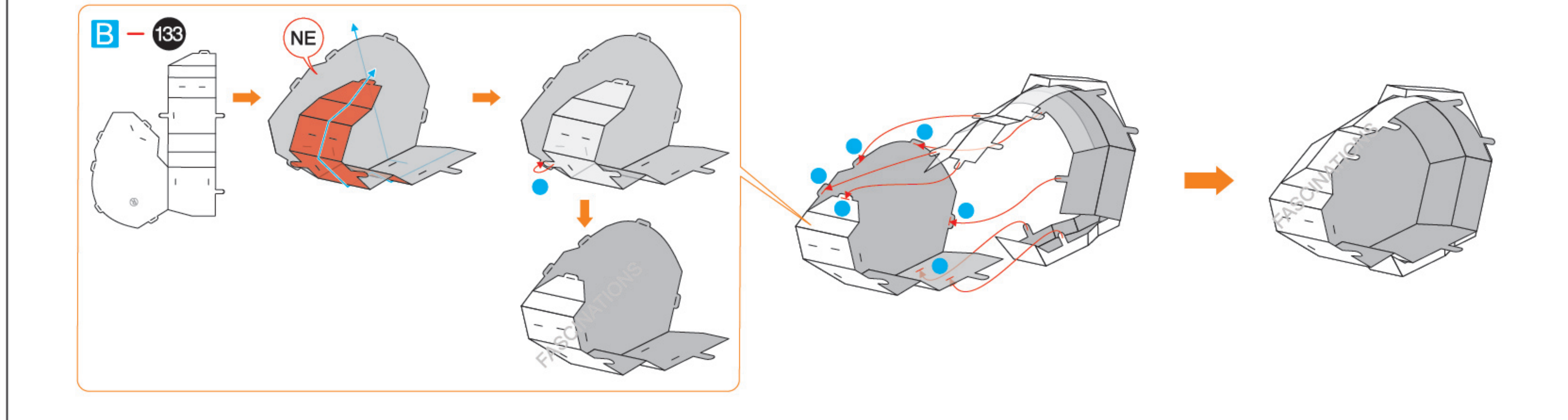
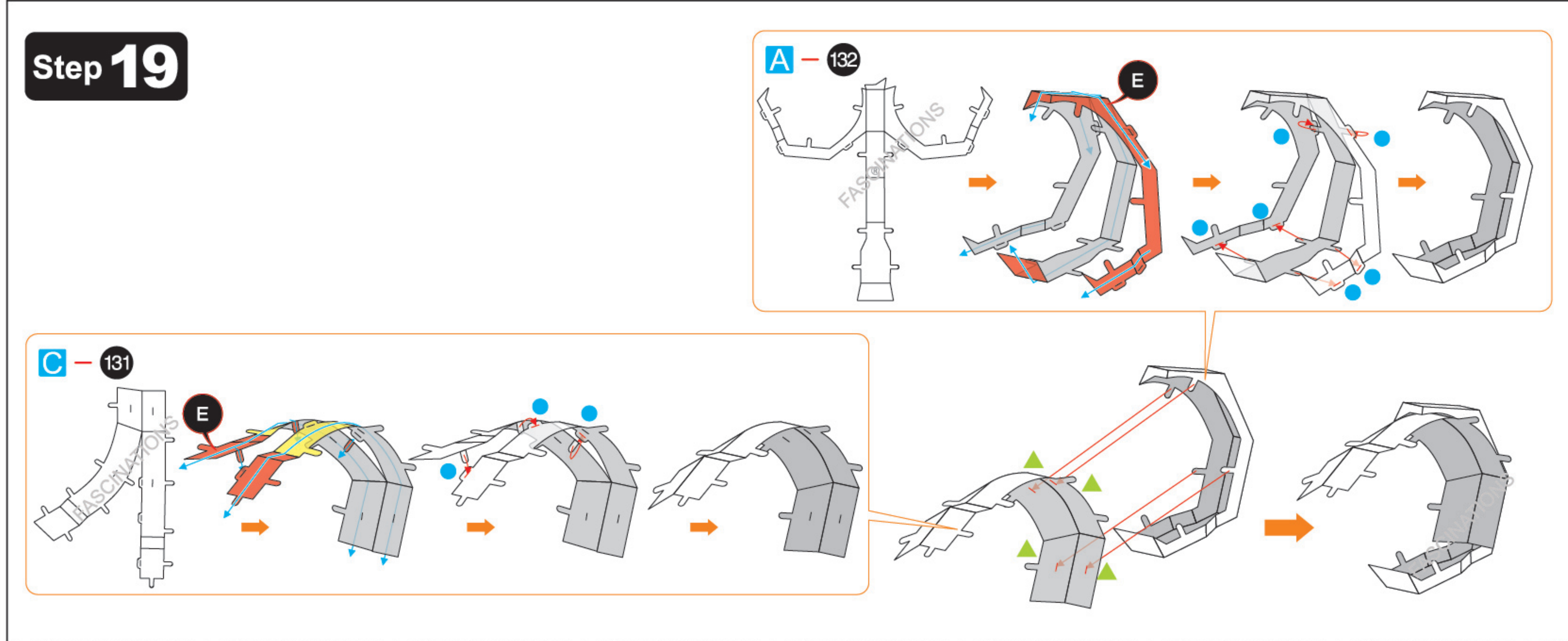
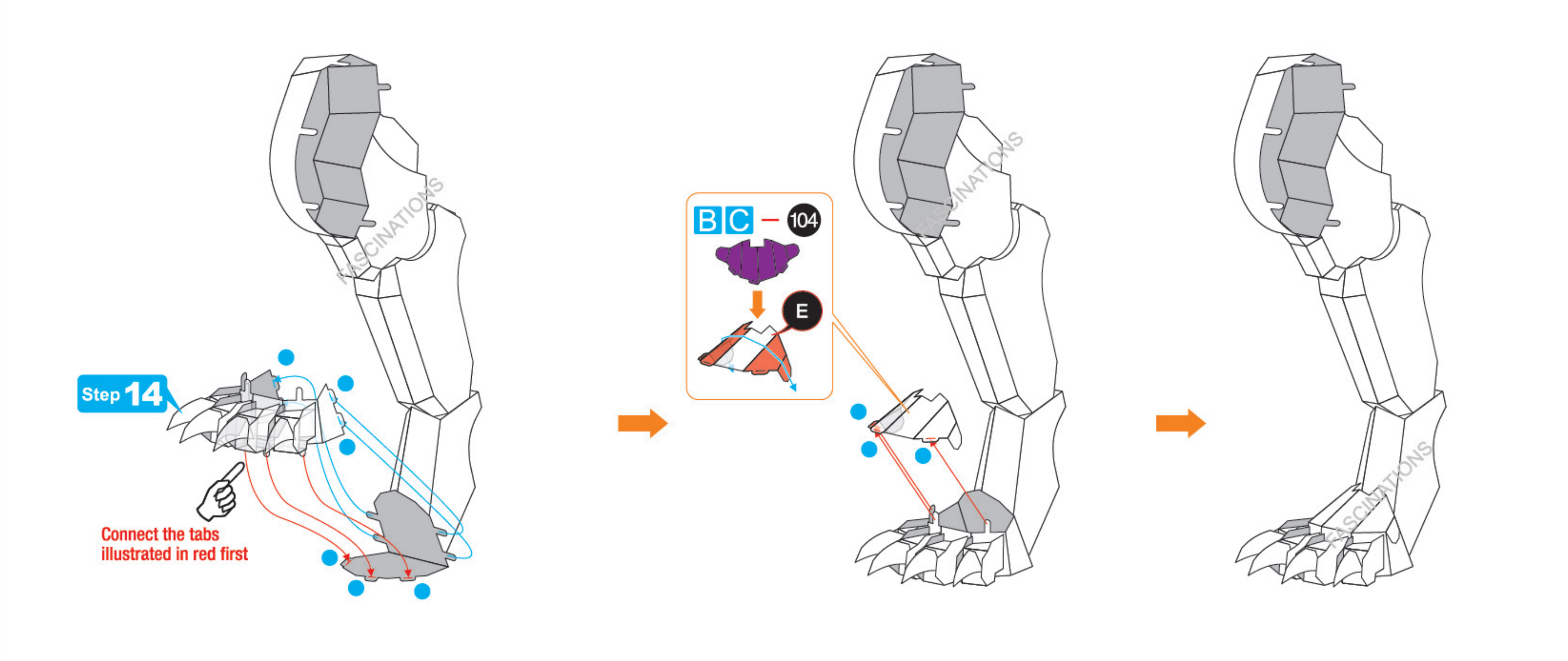
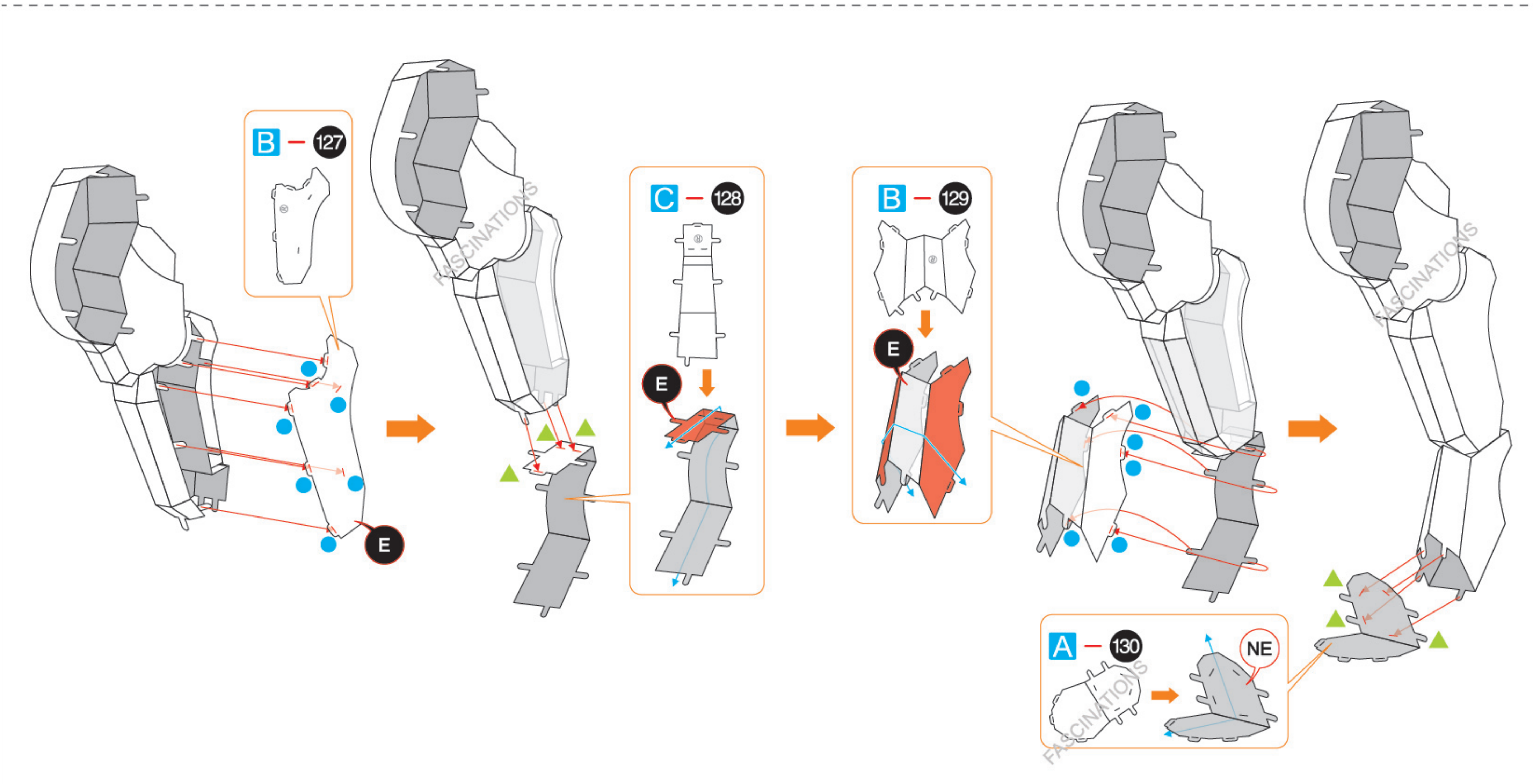
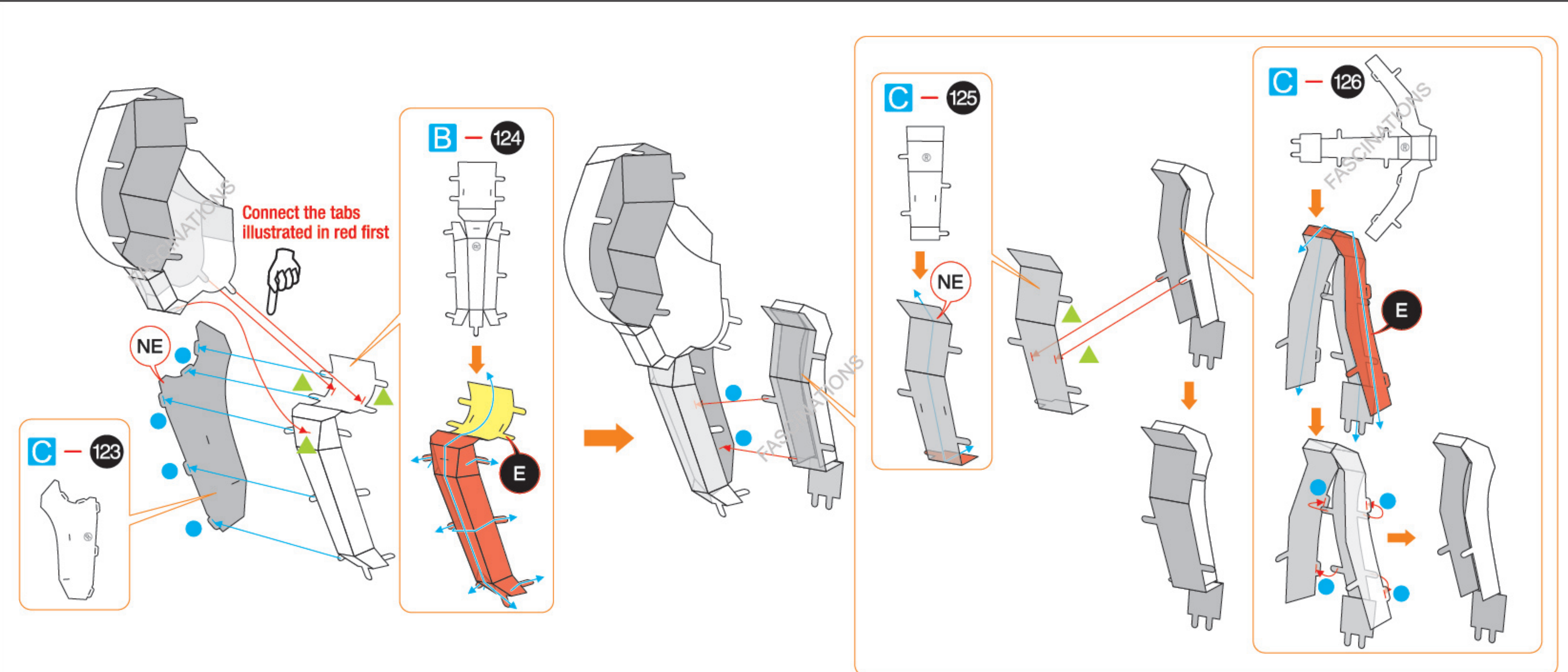


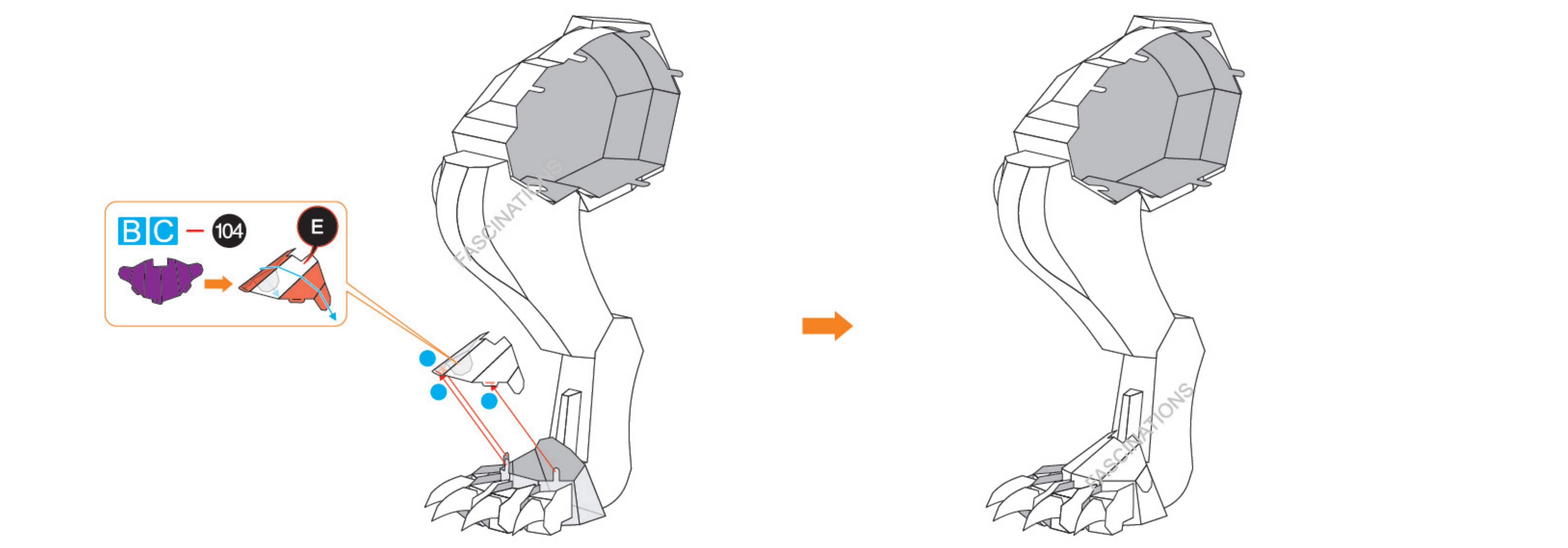
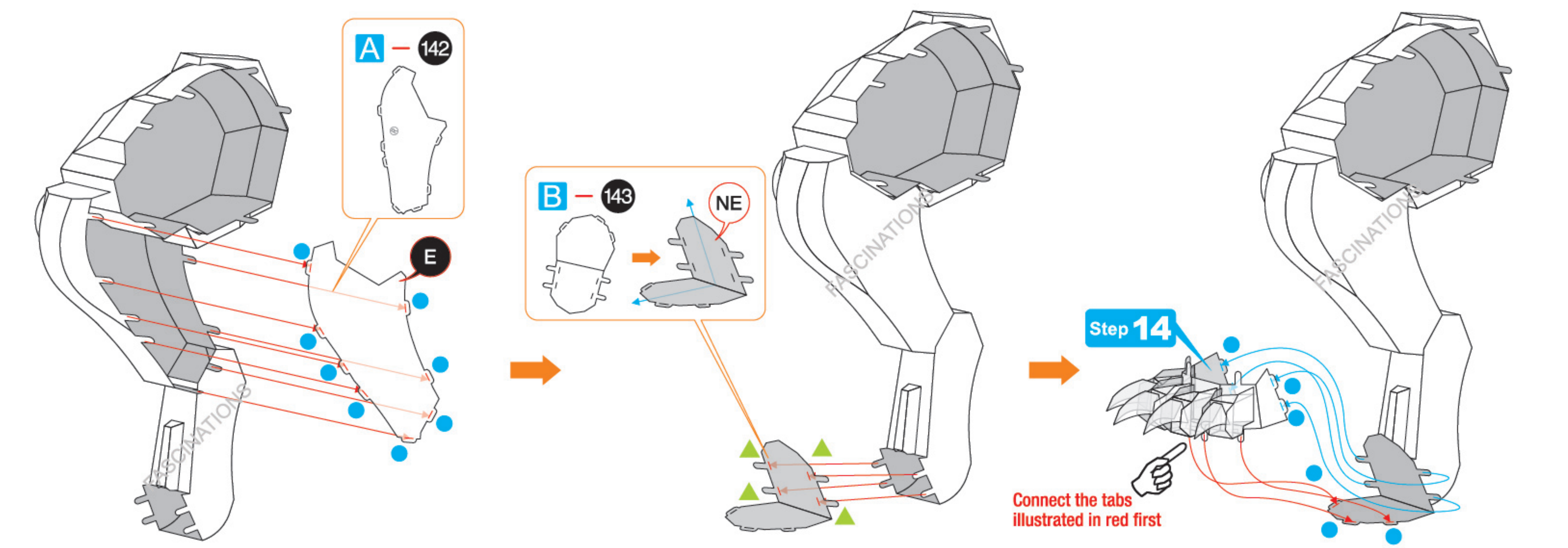
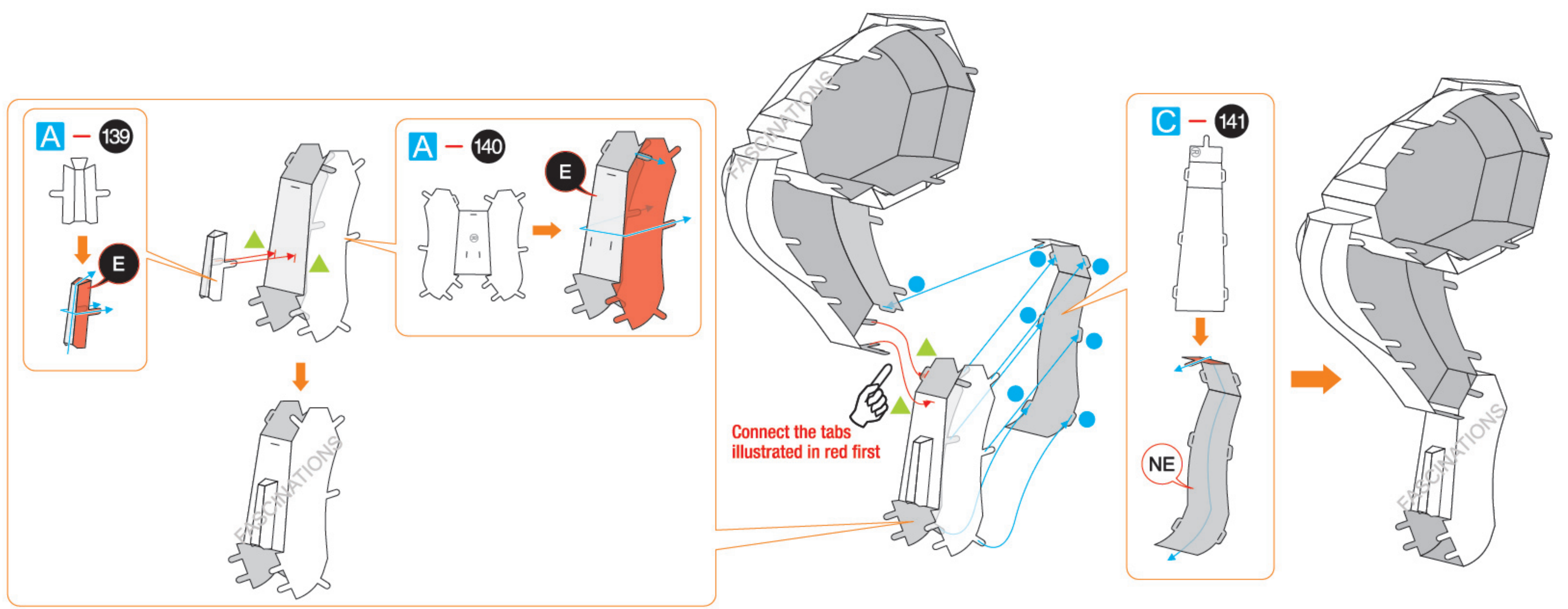
Step 14

Step 16

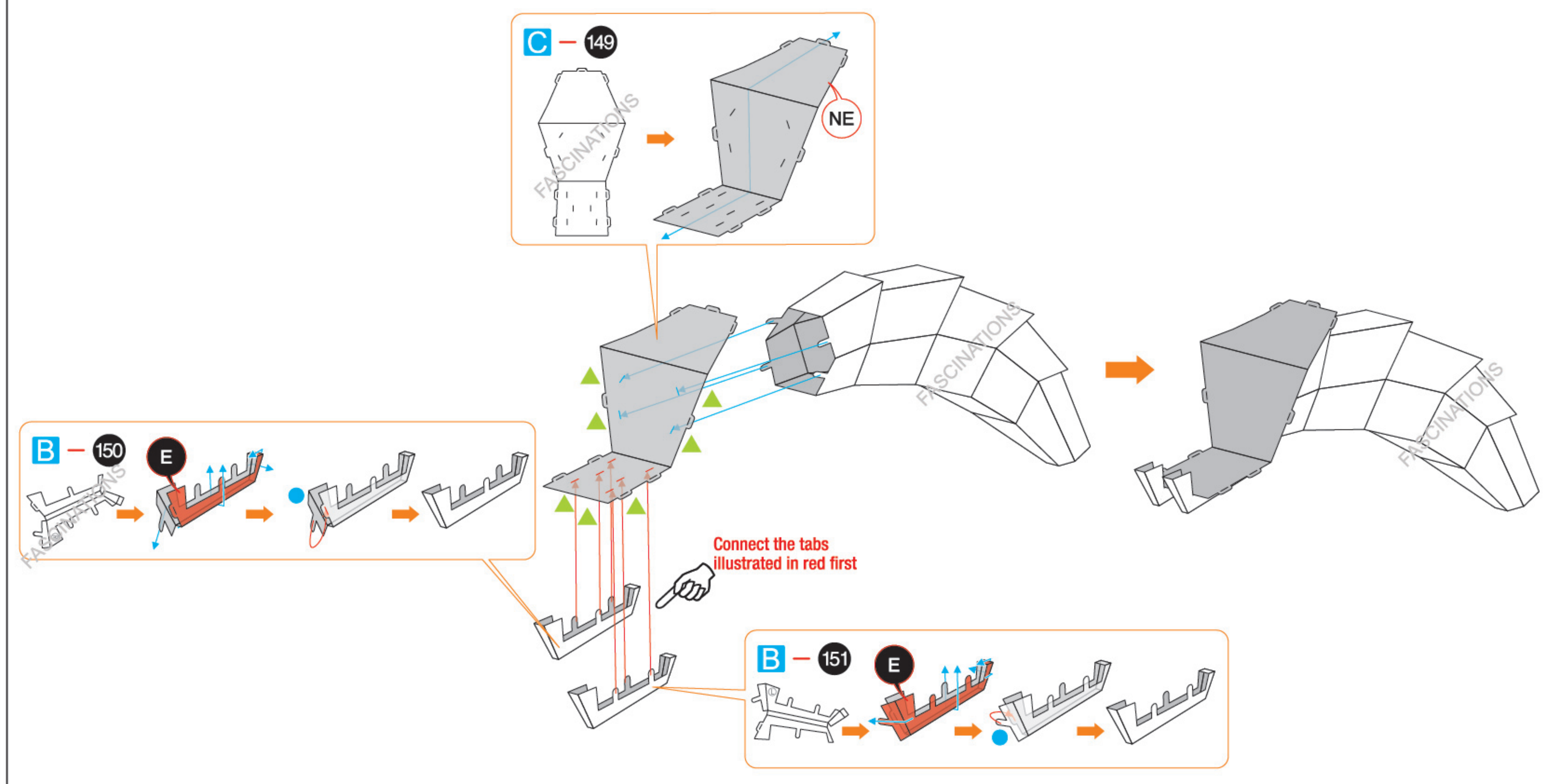
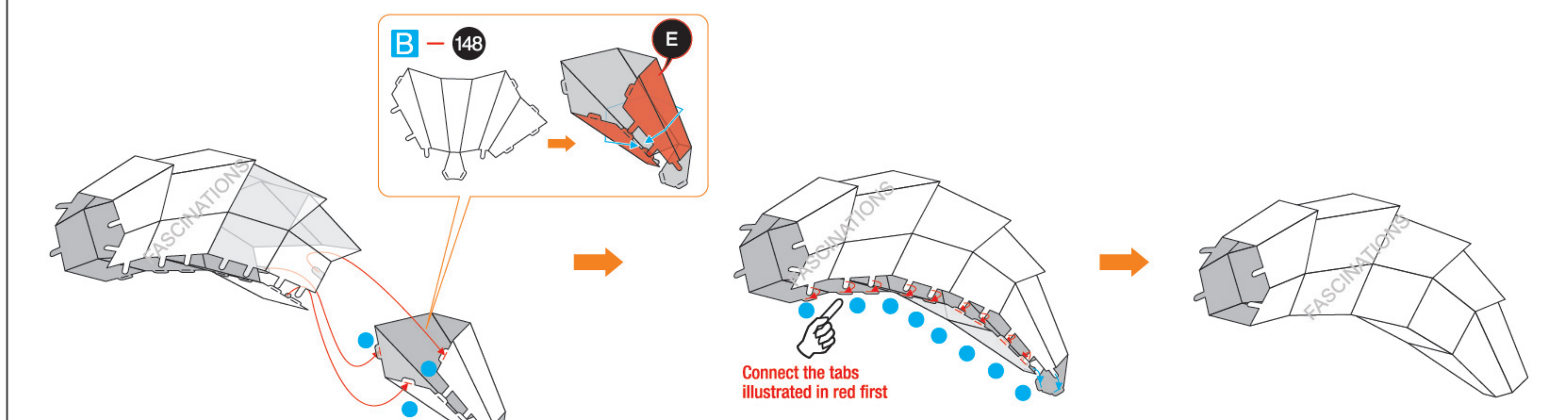
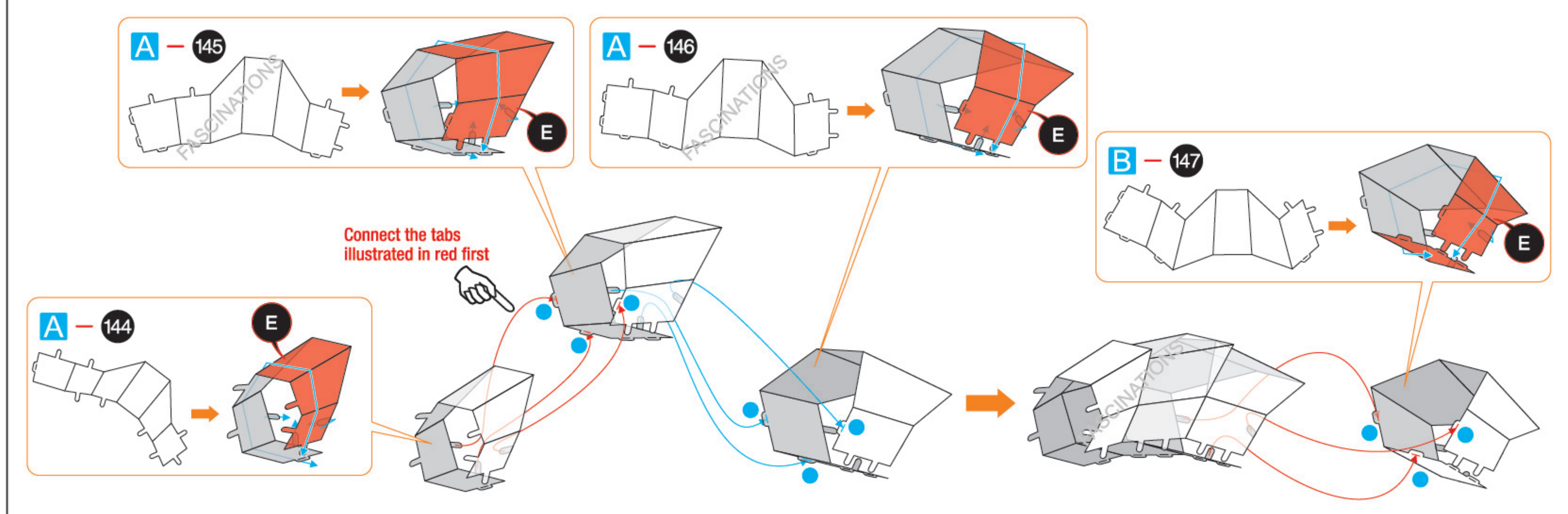








Step 21



Step 22

