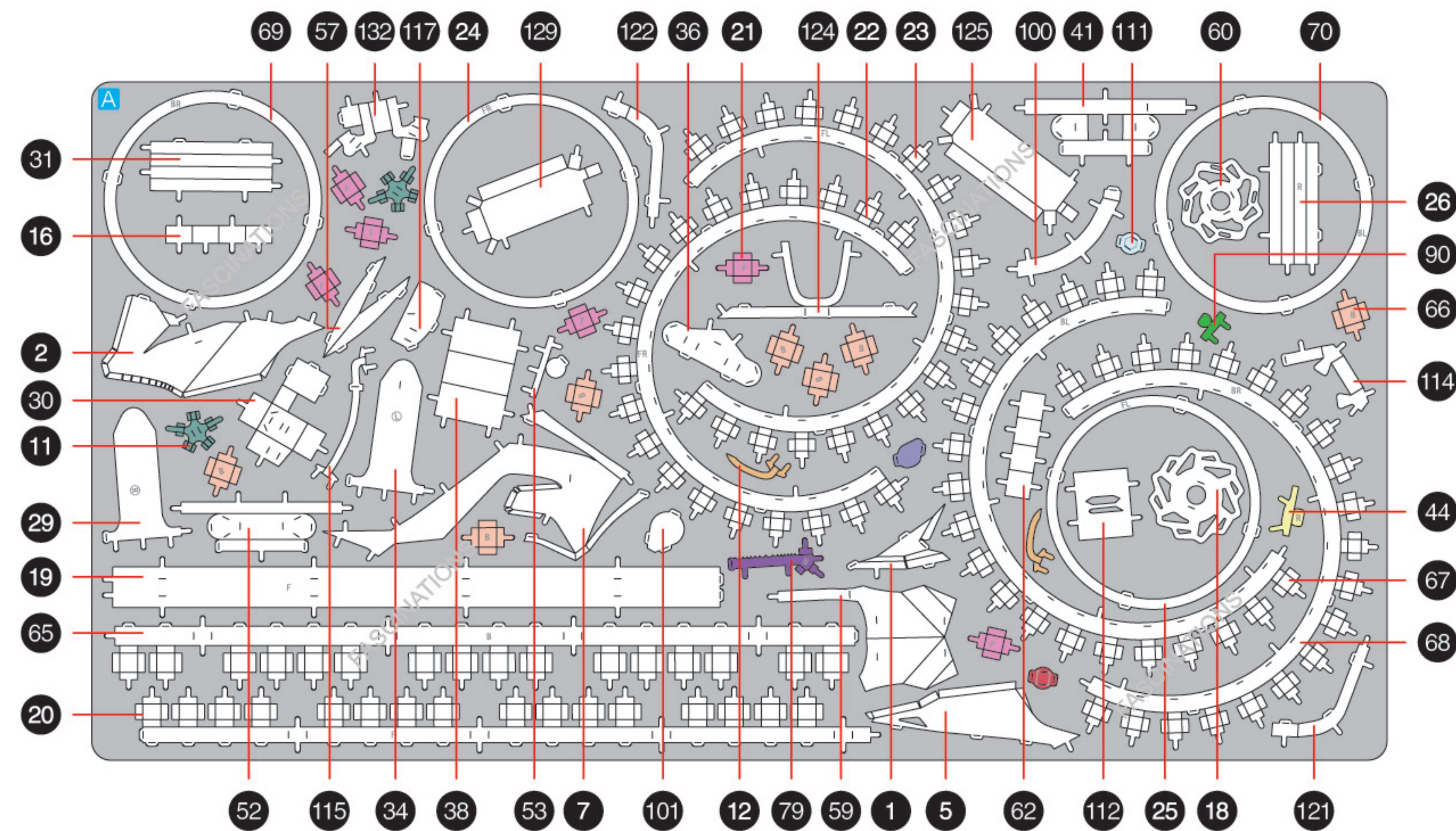


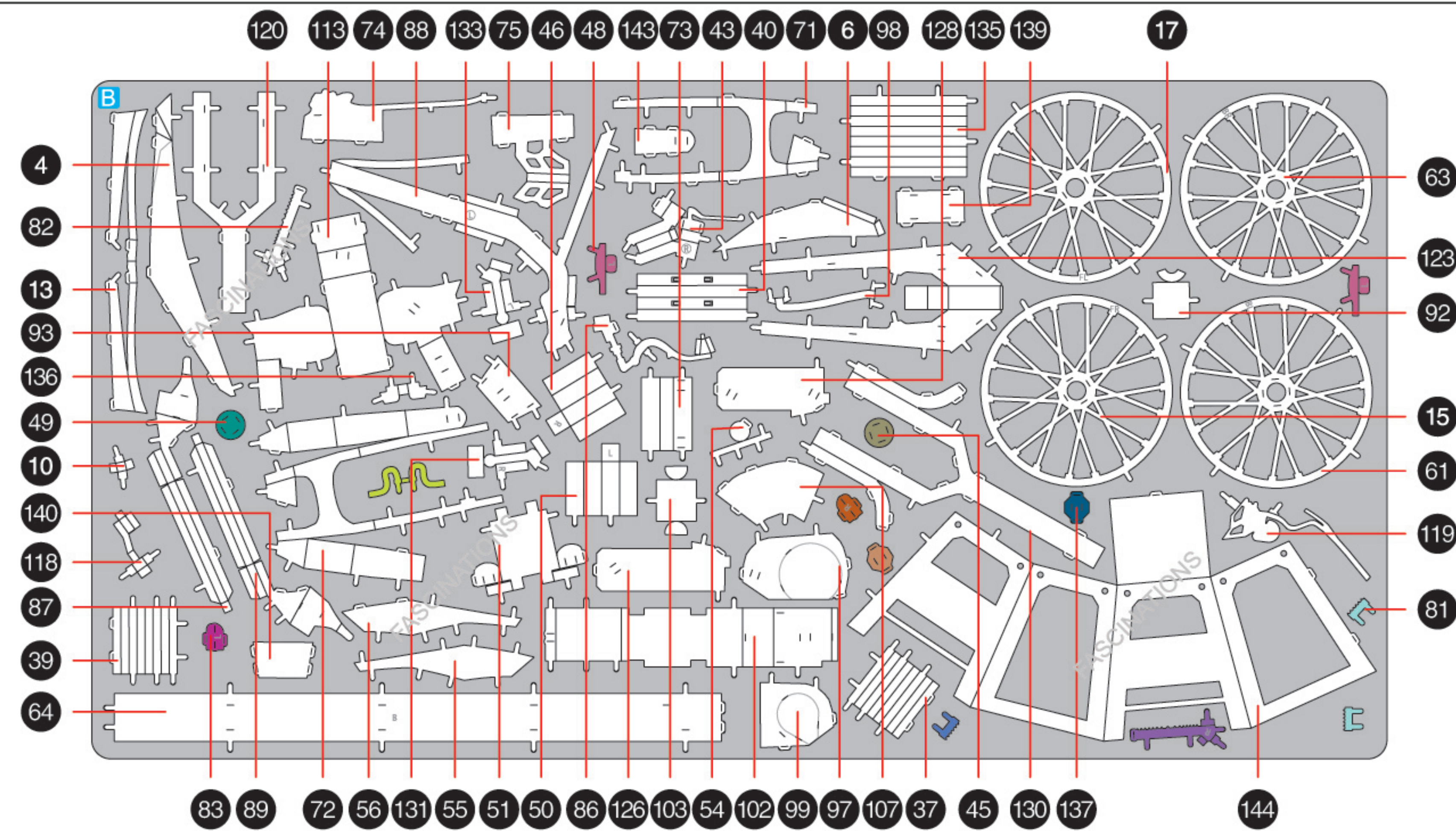
METAL SHEETS

Parts with same color are duplicates

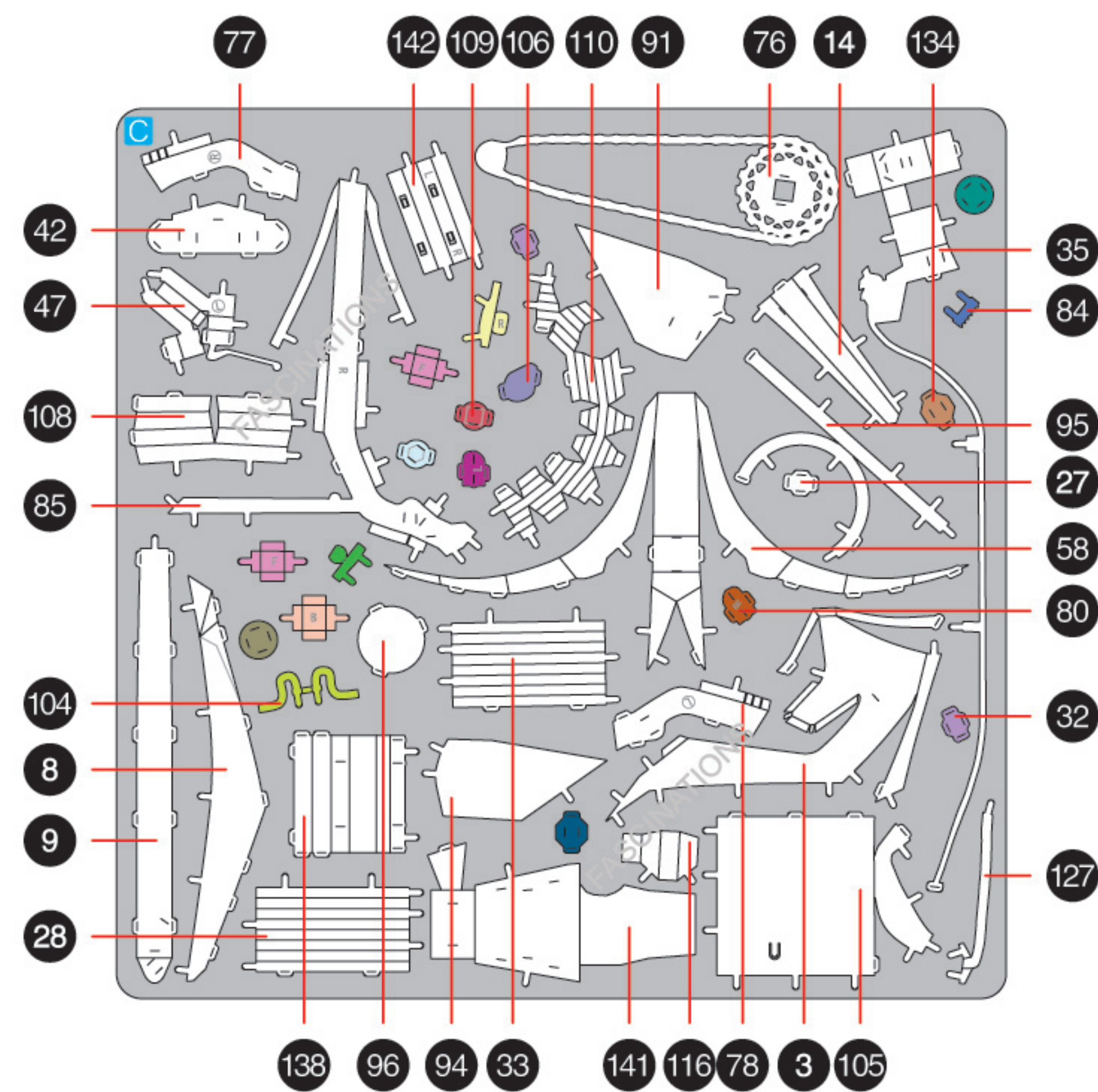
A



B



C



Metal Earth

360° view



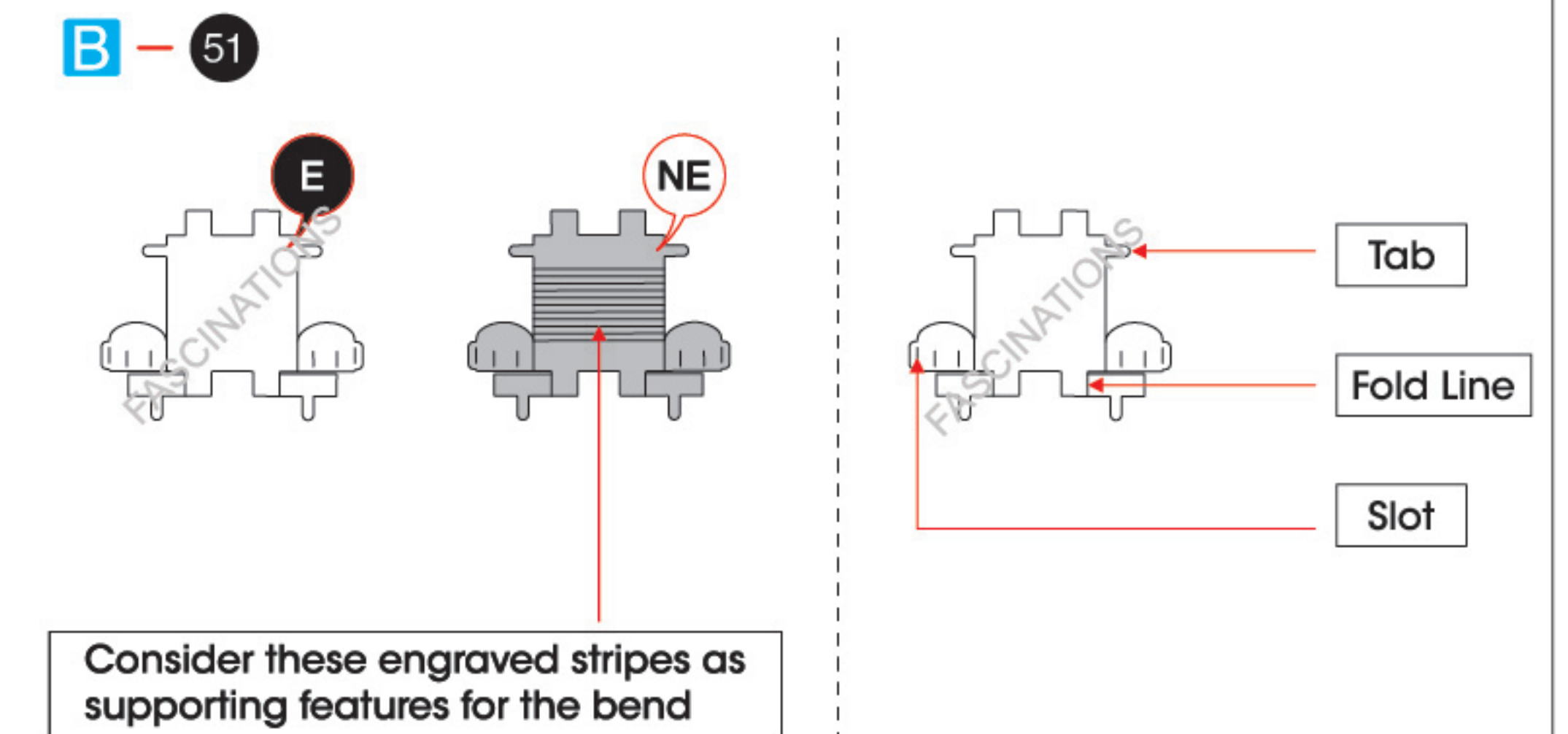
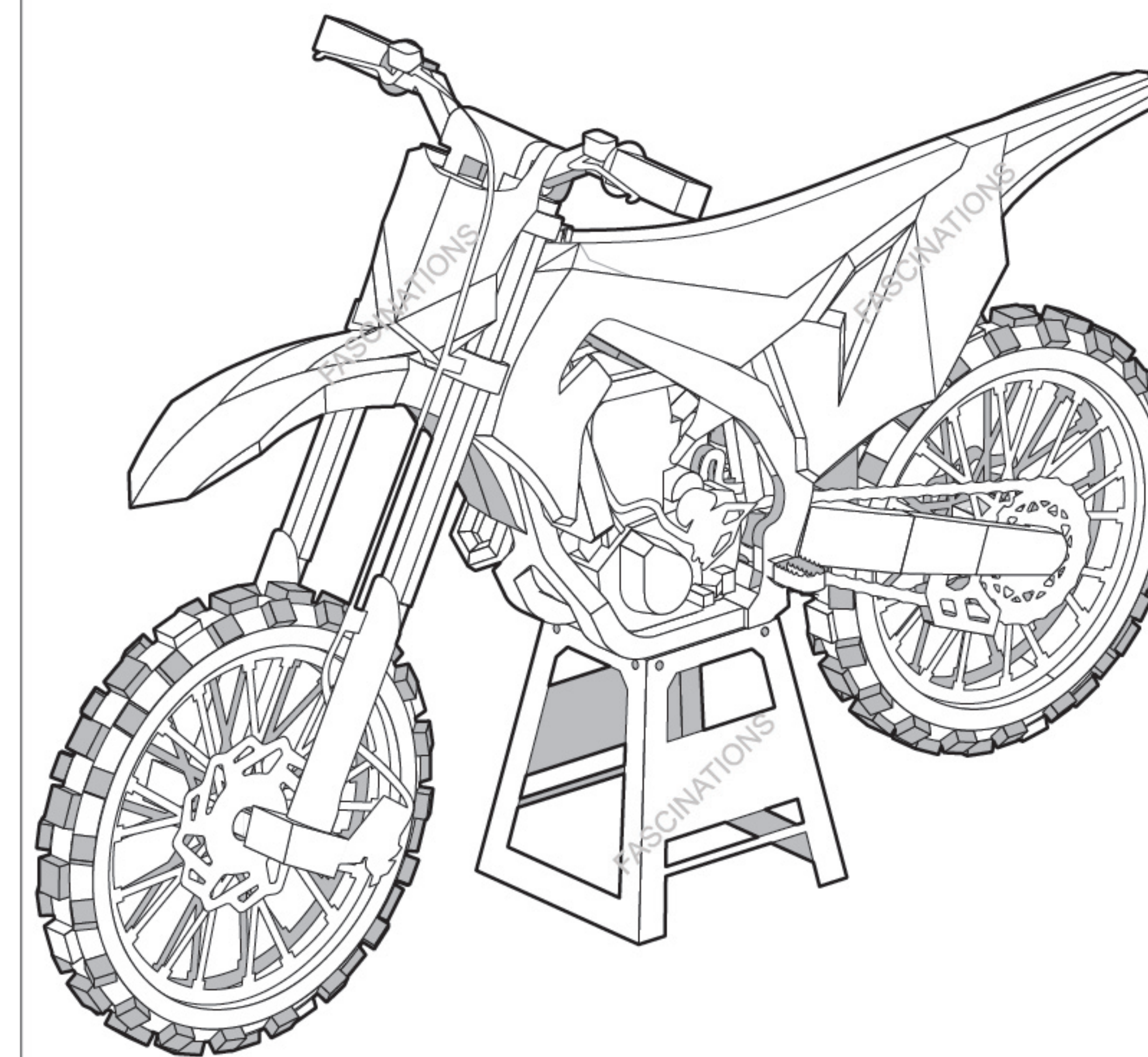
It is highly recommended that you visit www.metalearth.com/360/PS2015 to see the completed model before assembling your own

Premium Series

PS2015

KAWASAKI KX450

TO CREATE THE BEST CONNECTIONS



Legends:

- Engraved/ Color side
- Non - engraved/ Silver side
- Attention point
- Insert tab and bend 90 degrees
- Insert tab and twist 90 degrees

Recommended tools:

- Wire cutters: helpful for taking parts from the metal sheets.
- Tweezers or needle nose pliers: helpful for folding parts, bending and twisting tabs.

Assembly tip:

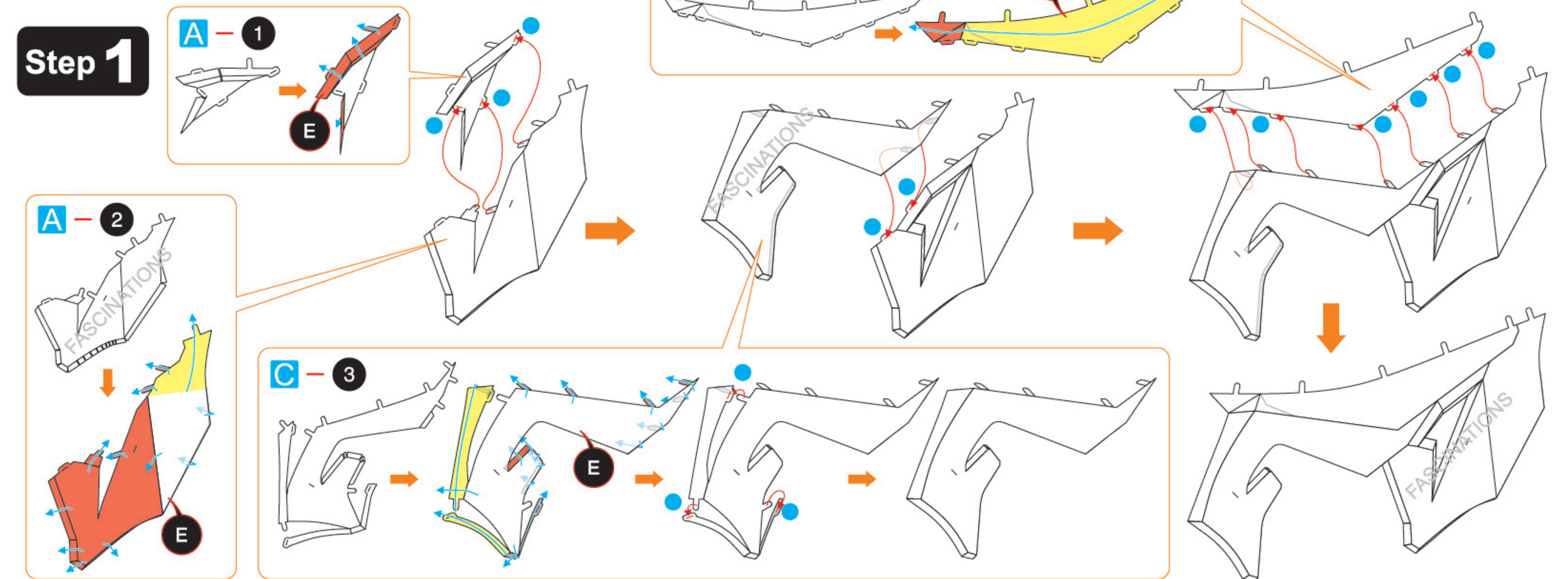
If needed, slightly twist tabs to hold parts together then untwist and bend them down for a nice finish.

- Yellow areas should be curled
- Red areas should be folded

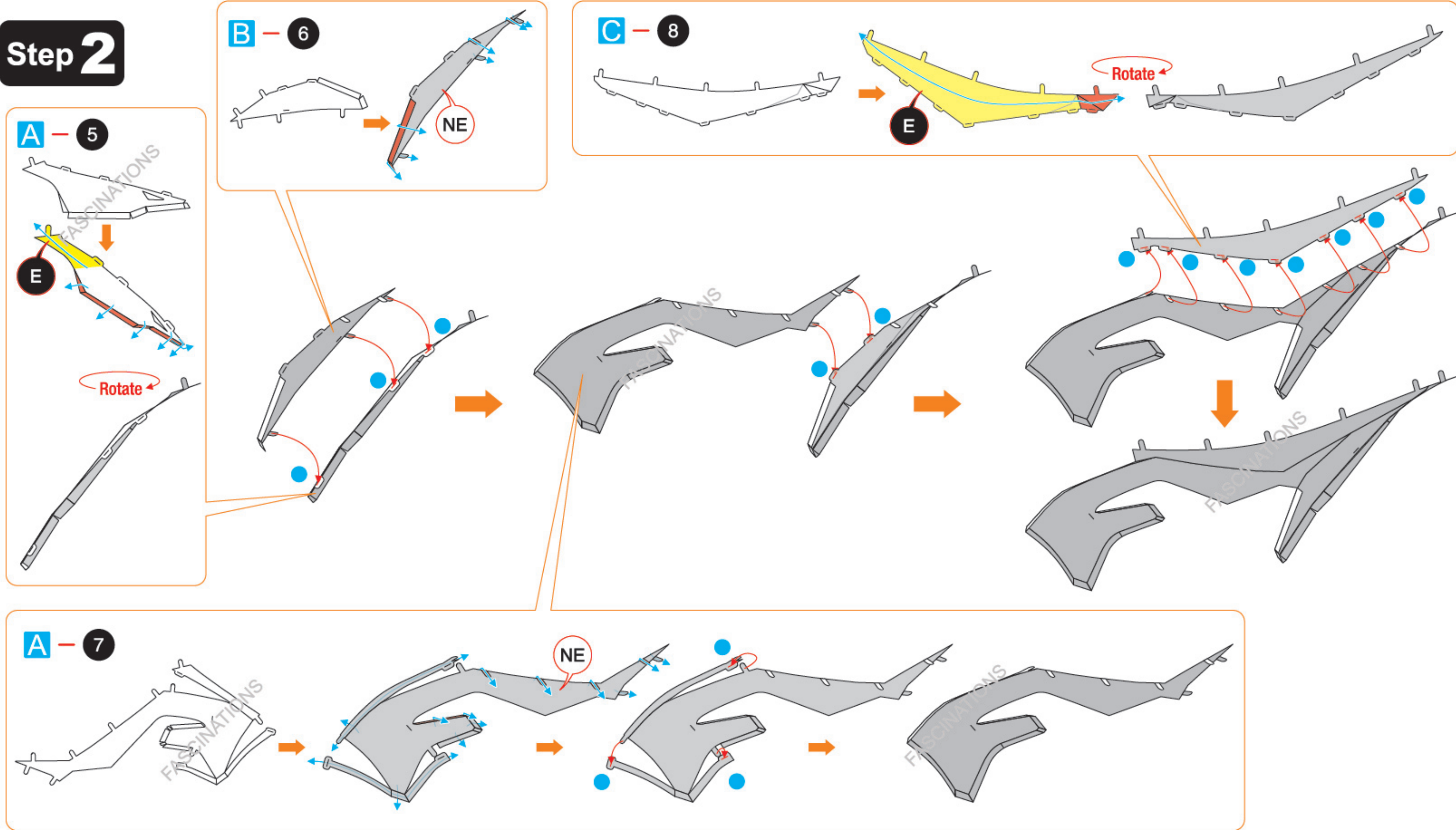
In order to avoid possible injury from sharp edges, please carefully discard the metal sheets after parts have been removed.

ASSEMBLY STEPS

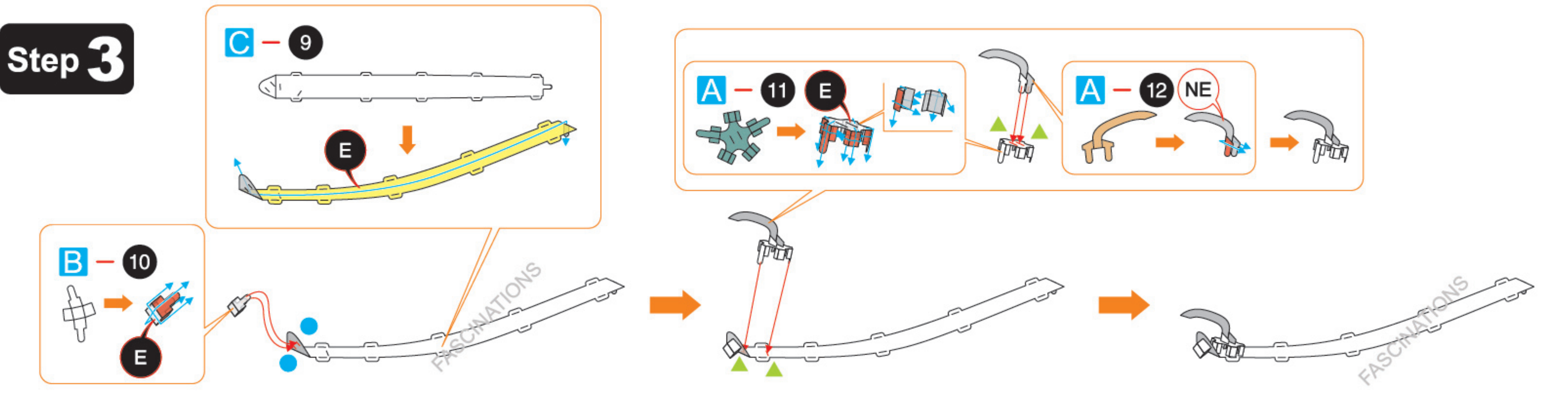
Step 1



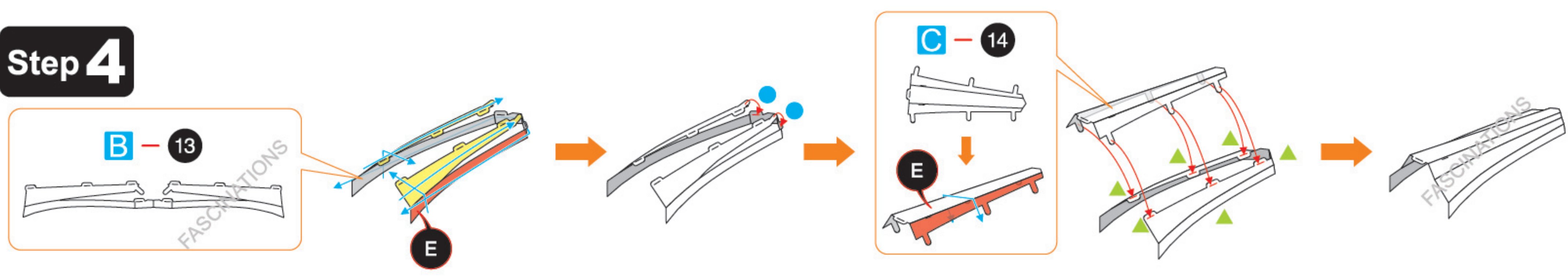
Step 2



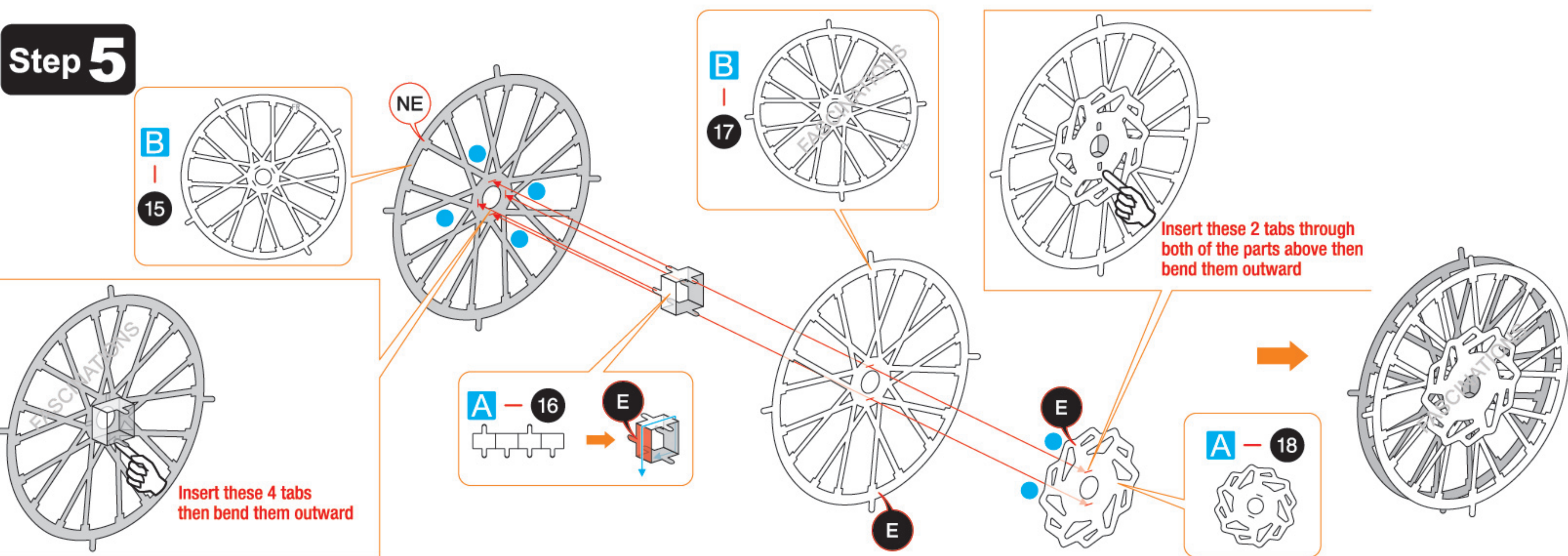
Step 3



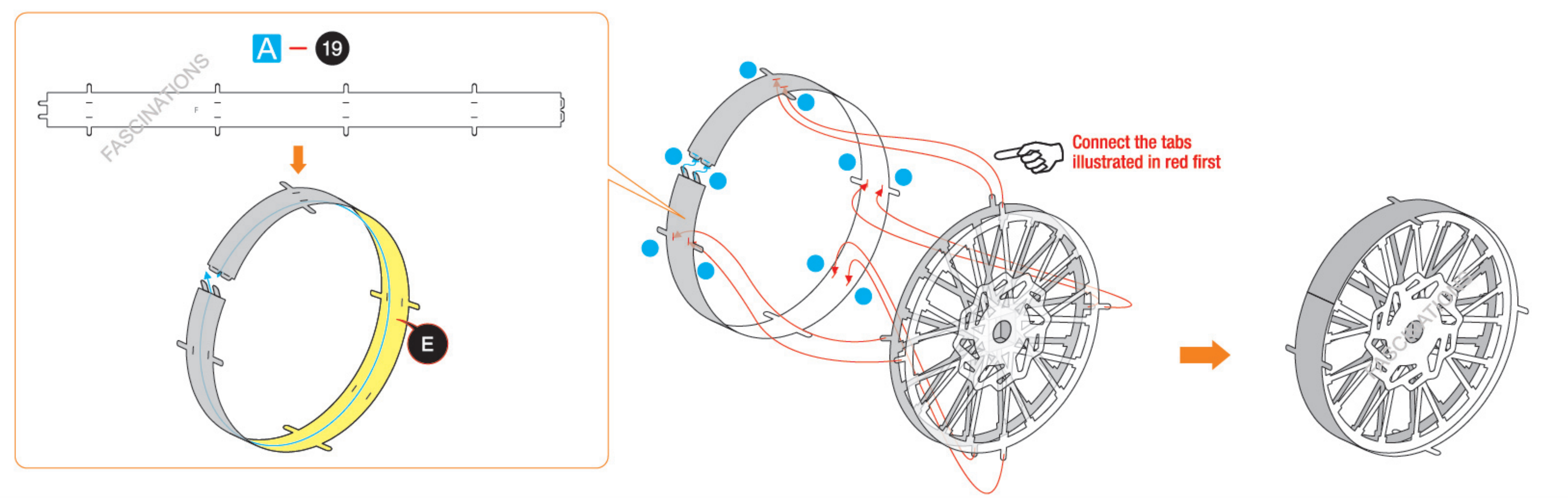
Step 4



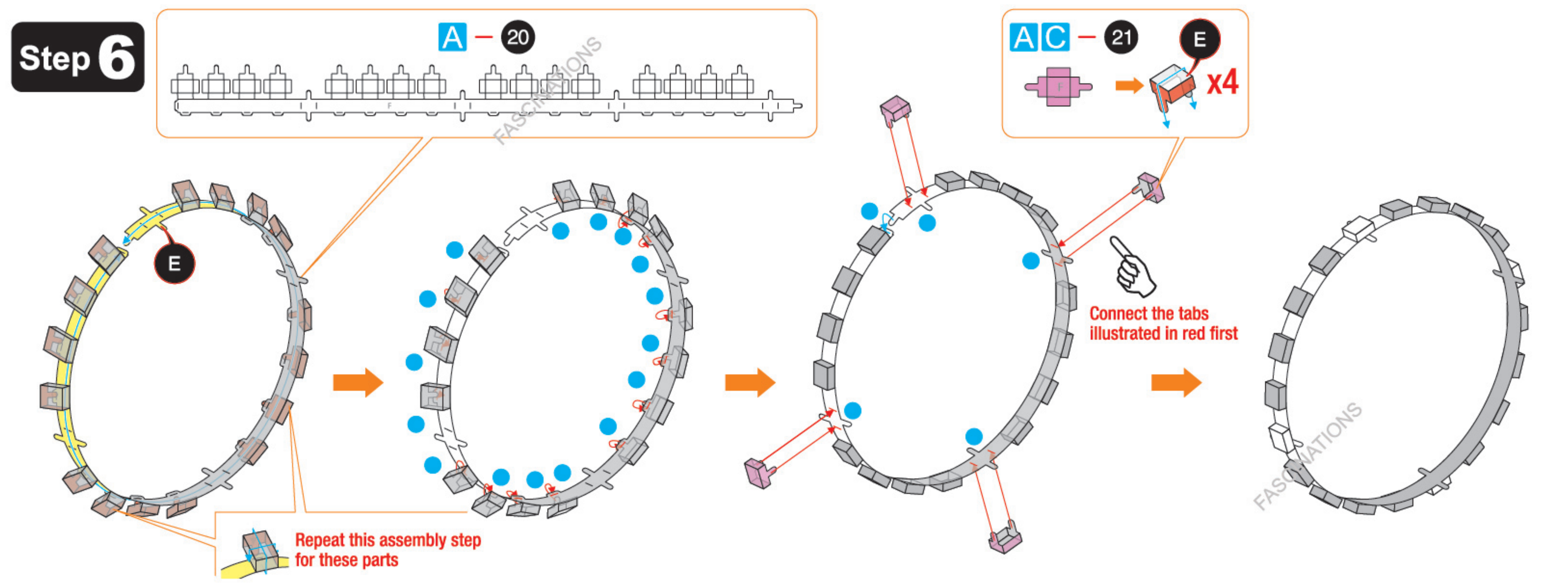
Step 5



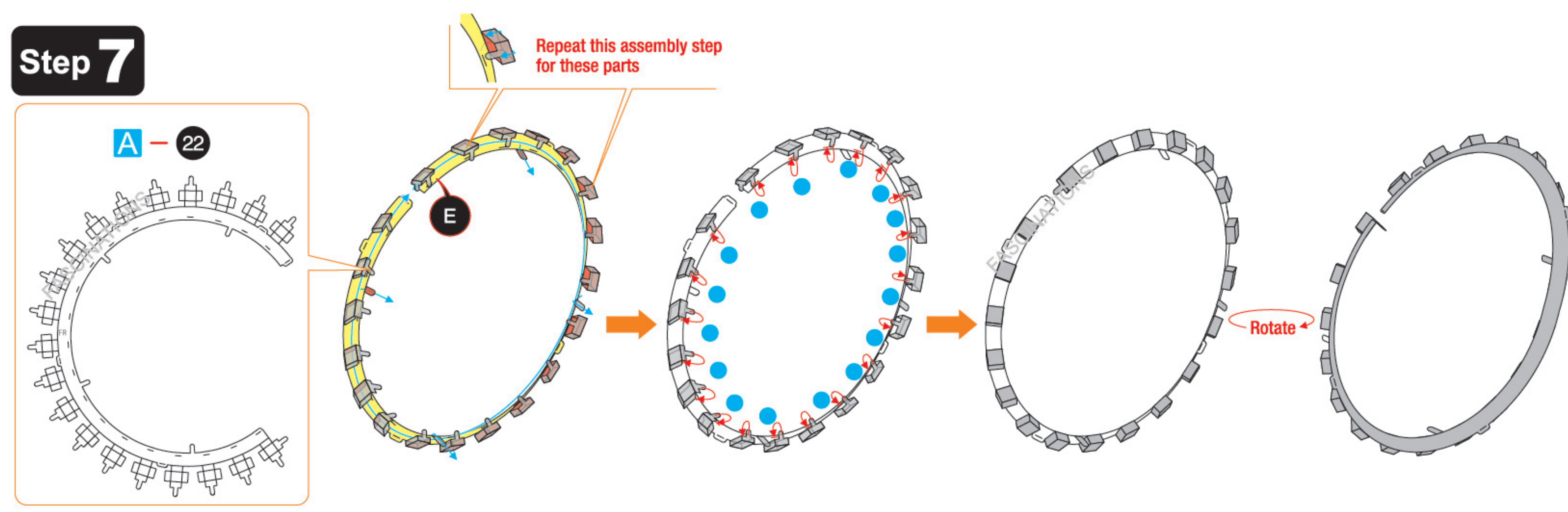
Step 6



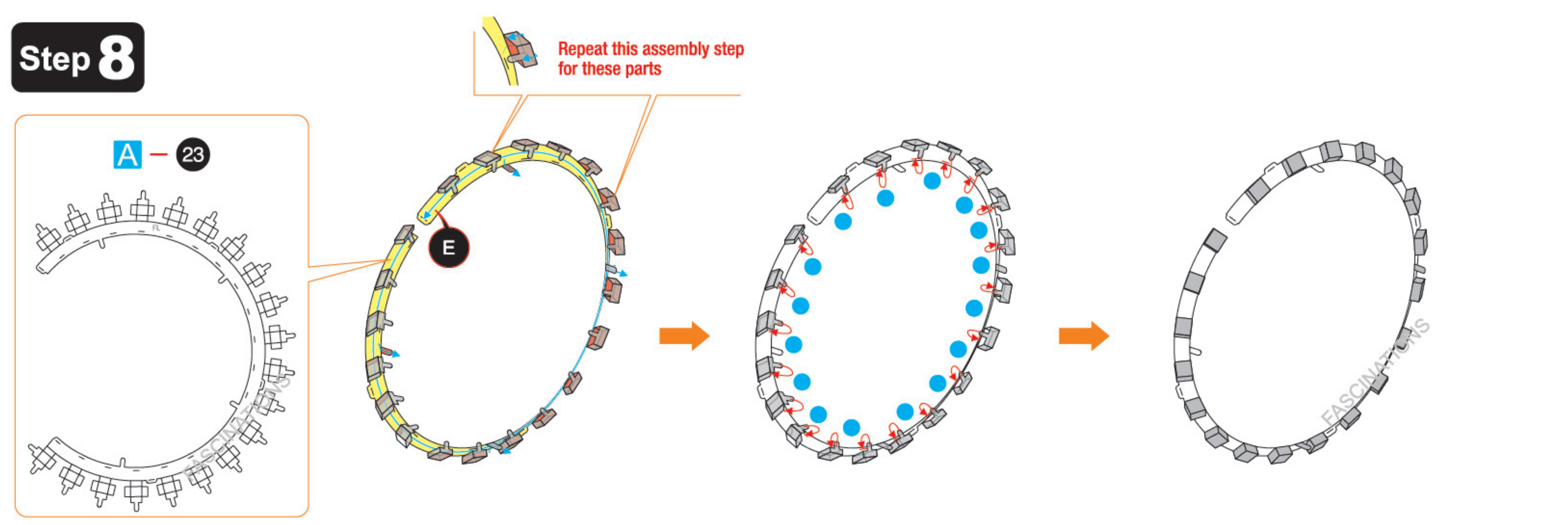
Step 6



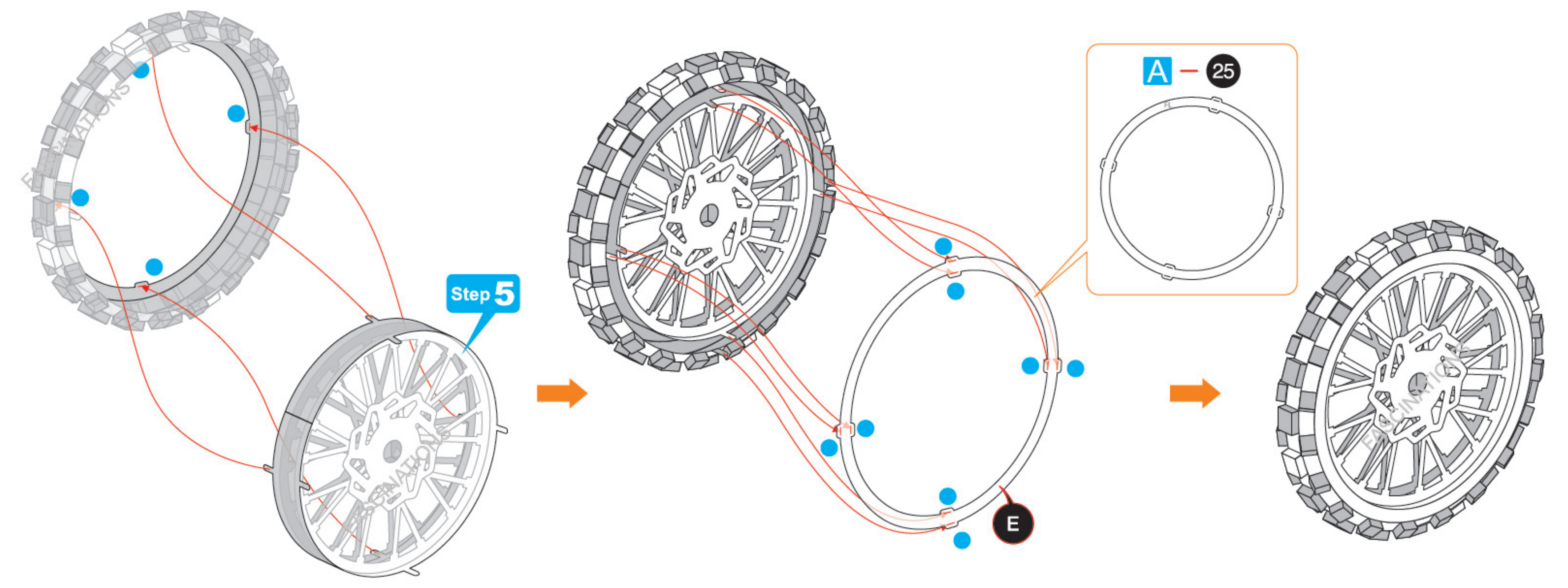
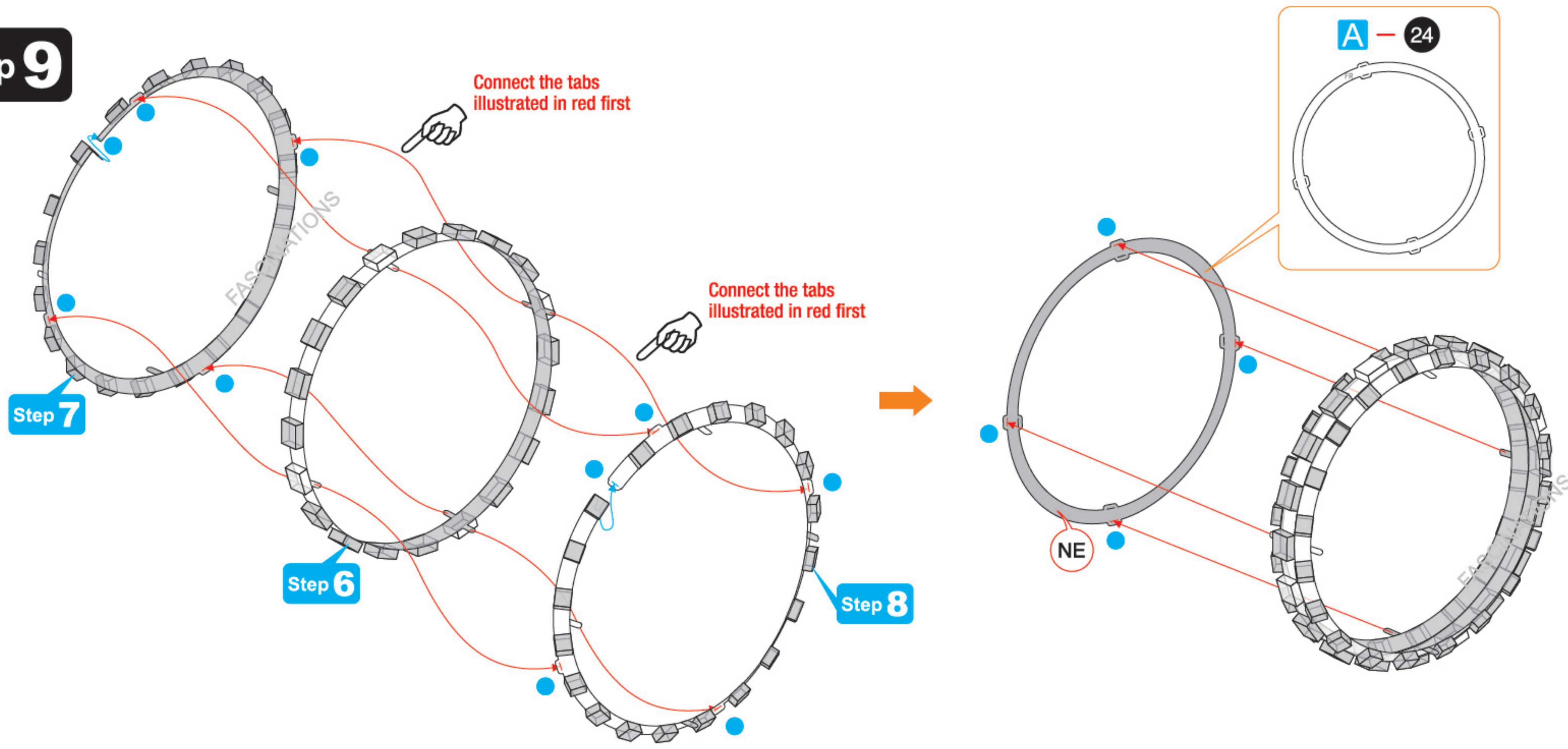
Step 7



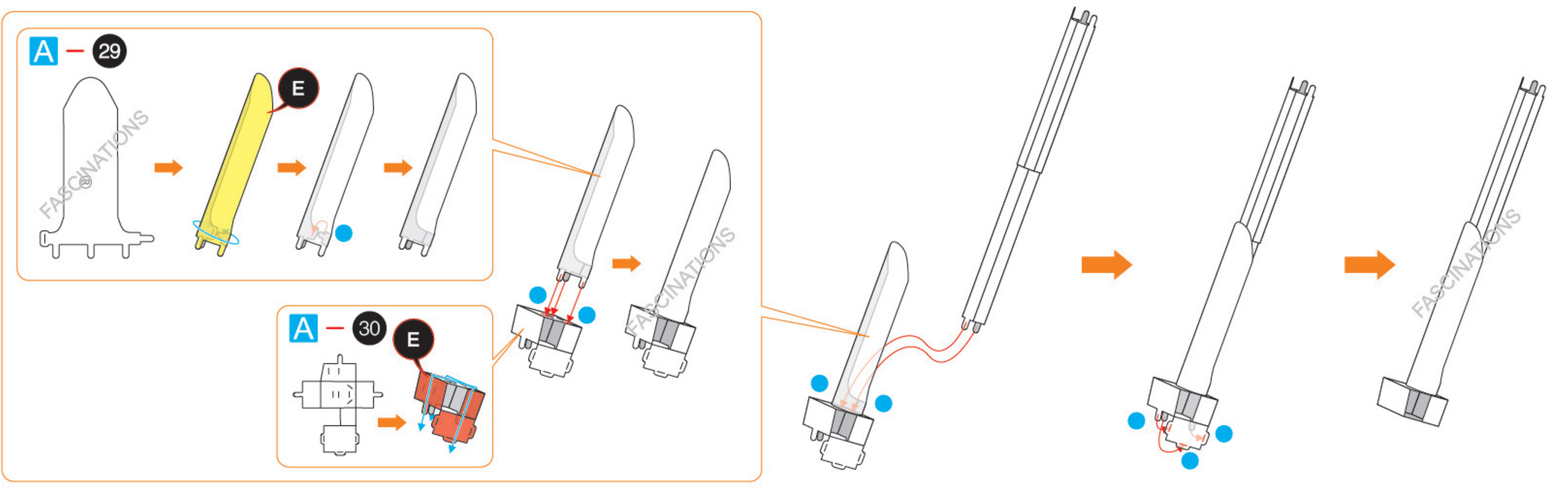
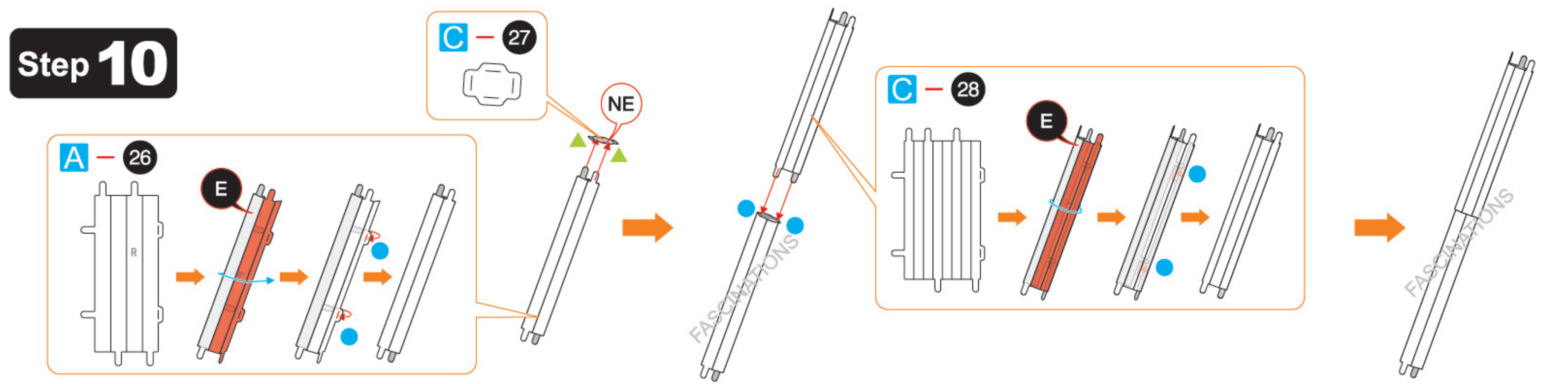
Step 8



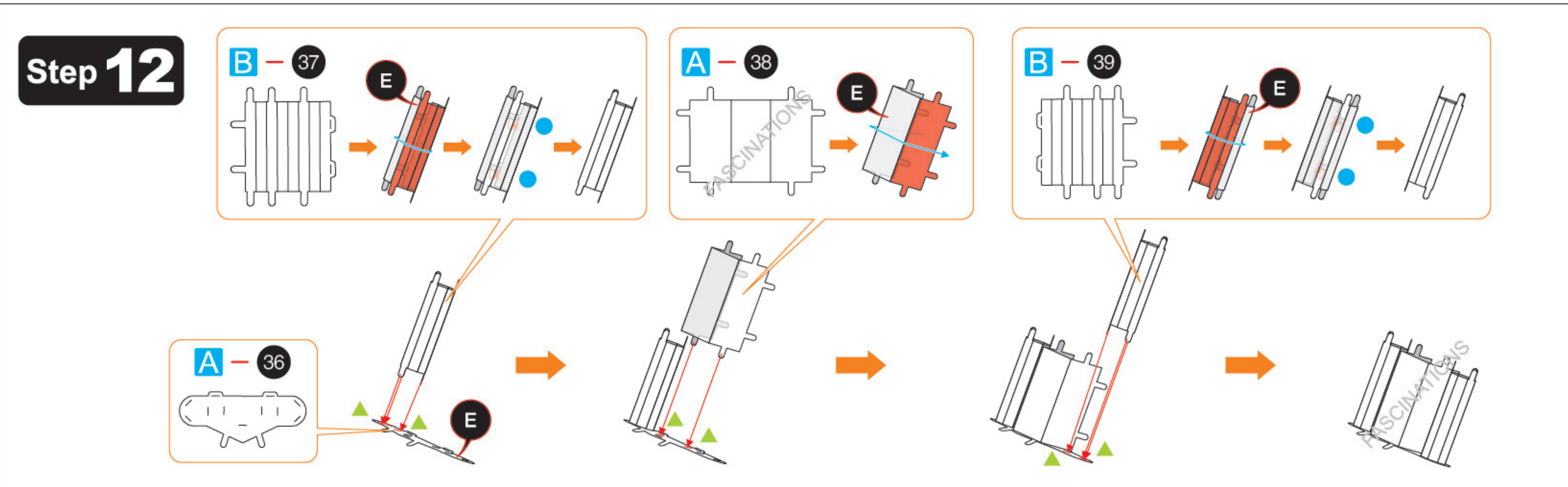
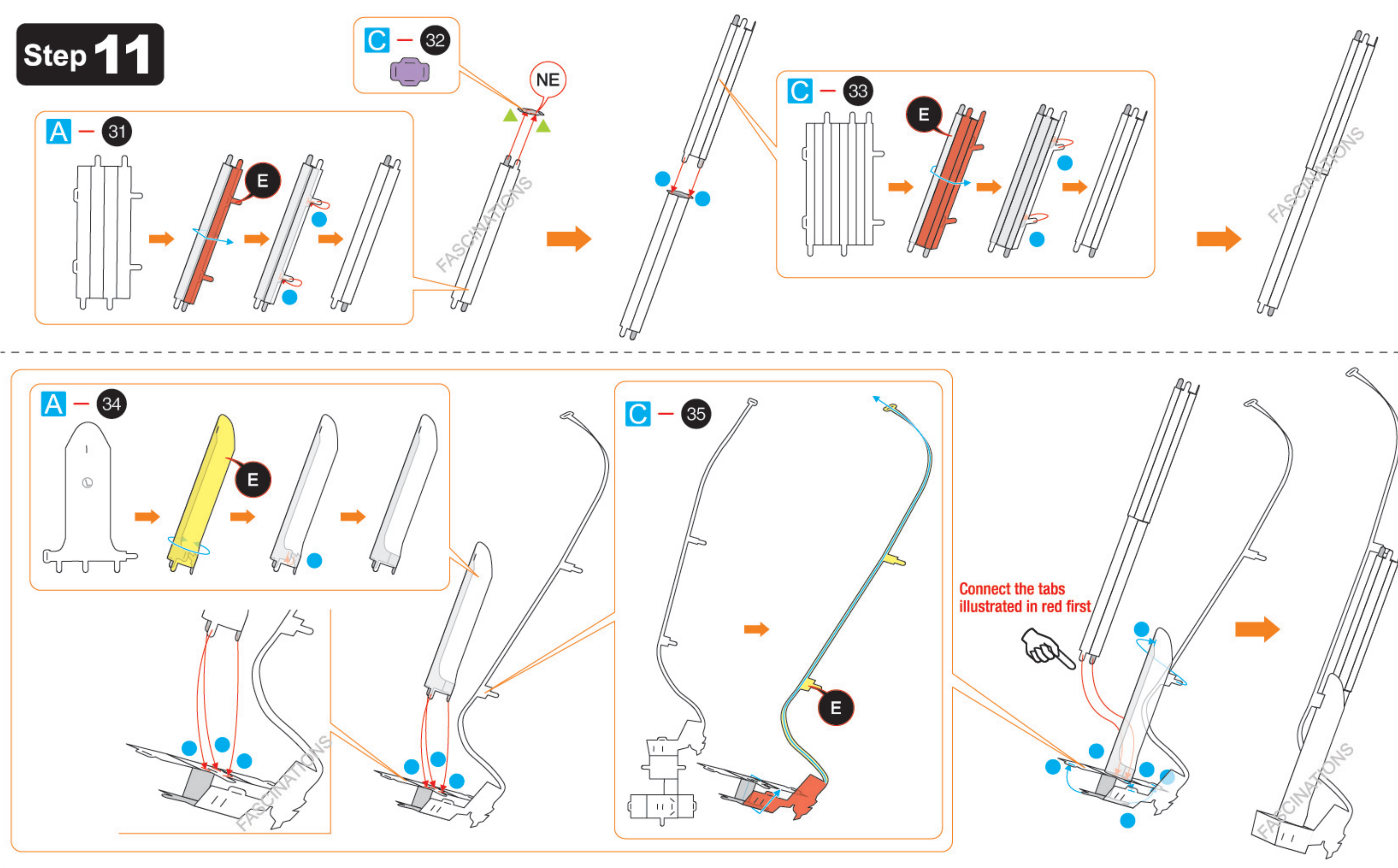
Step 9



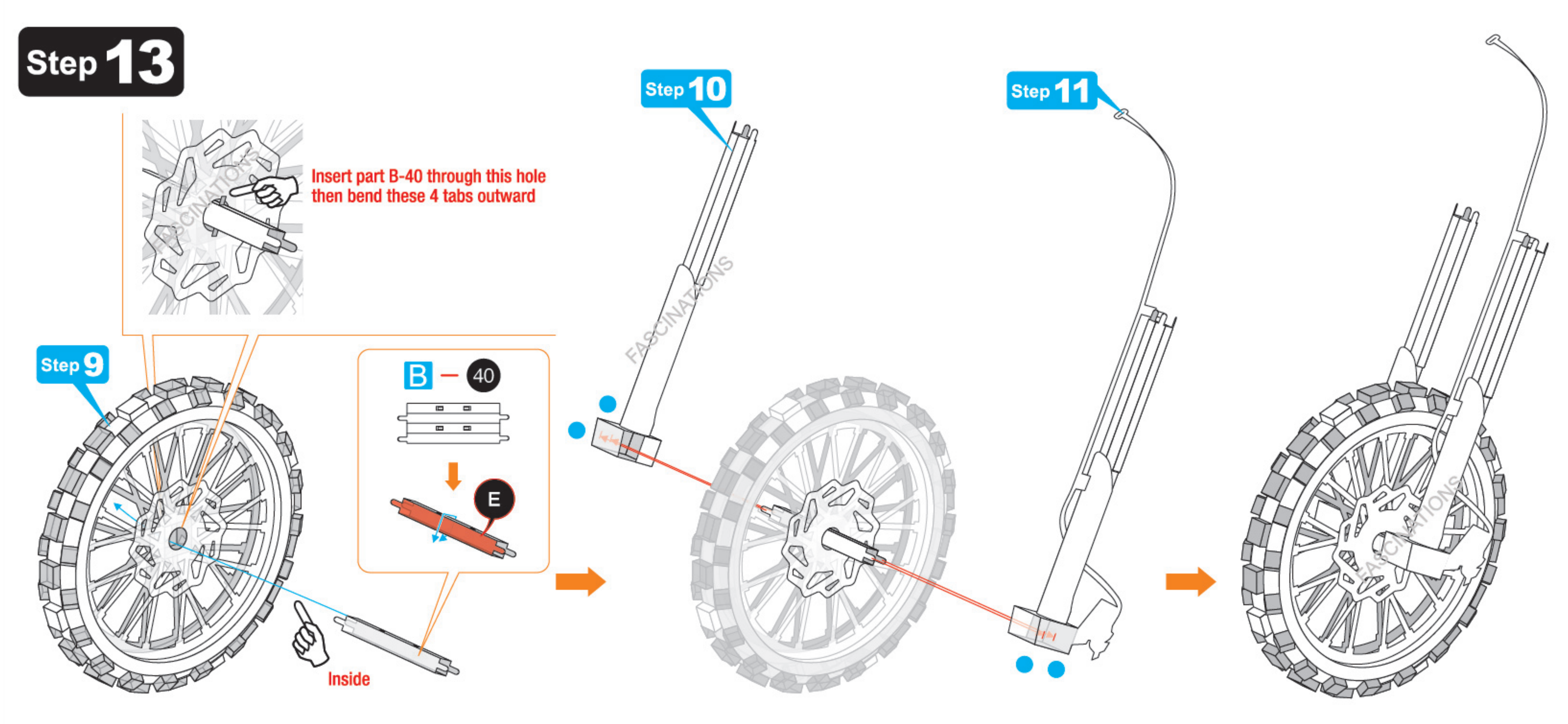
Step 10

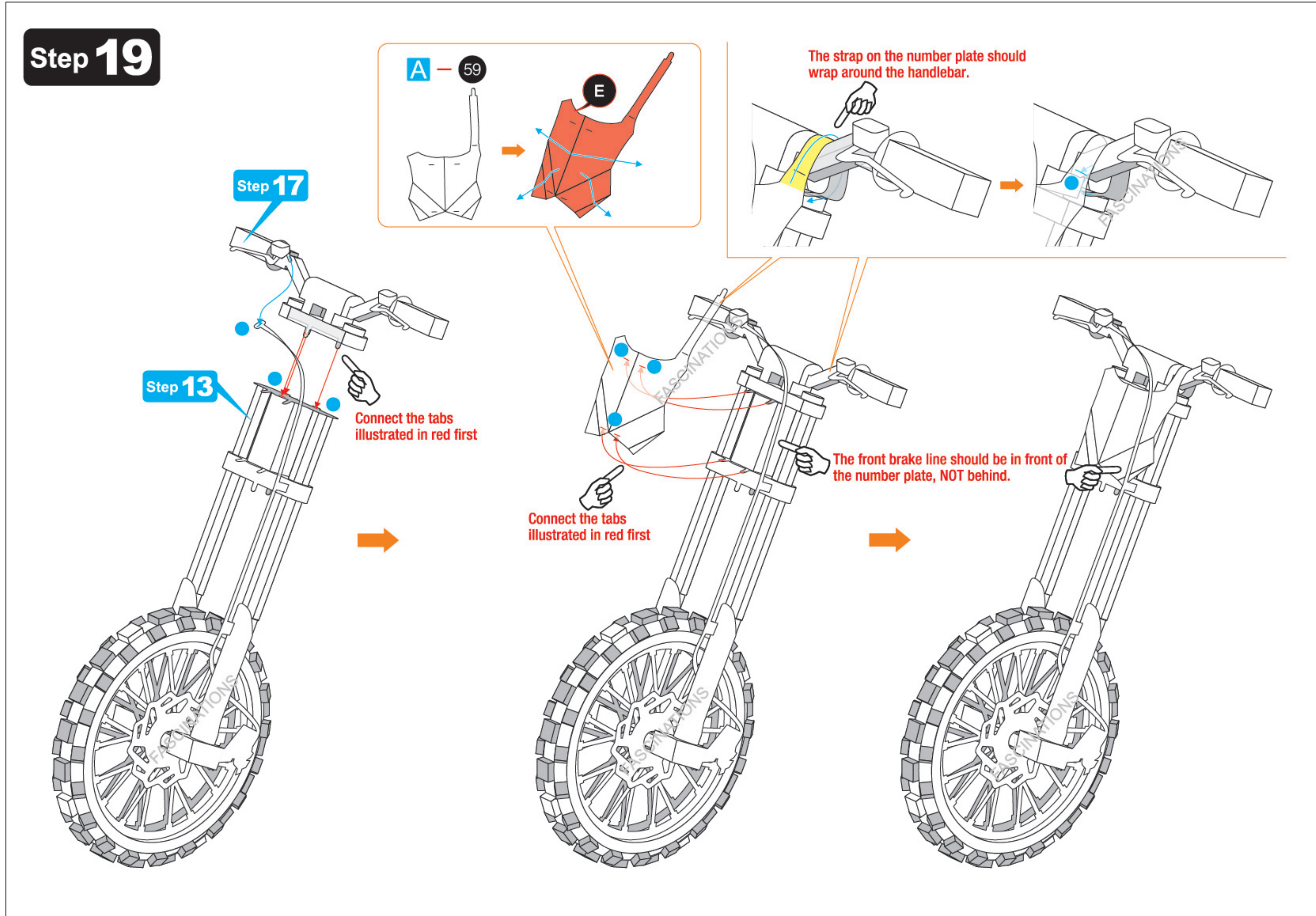
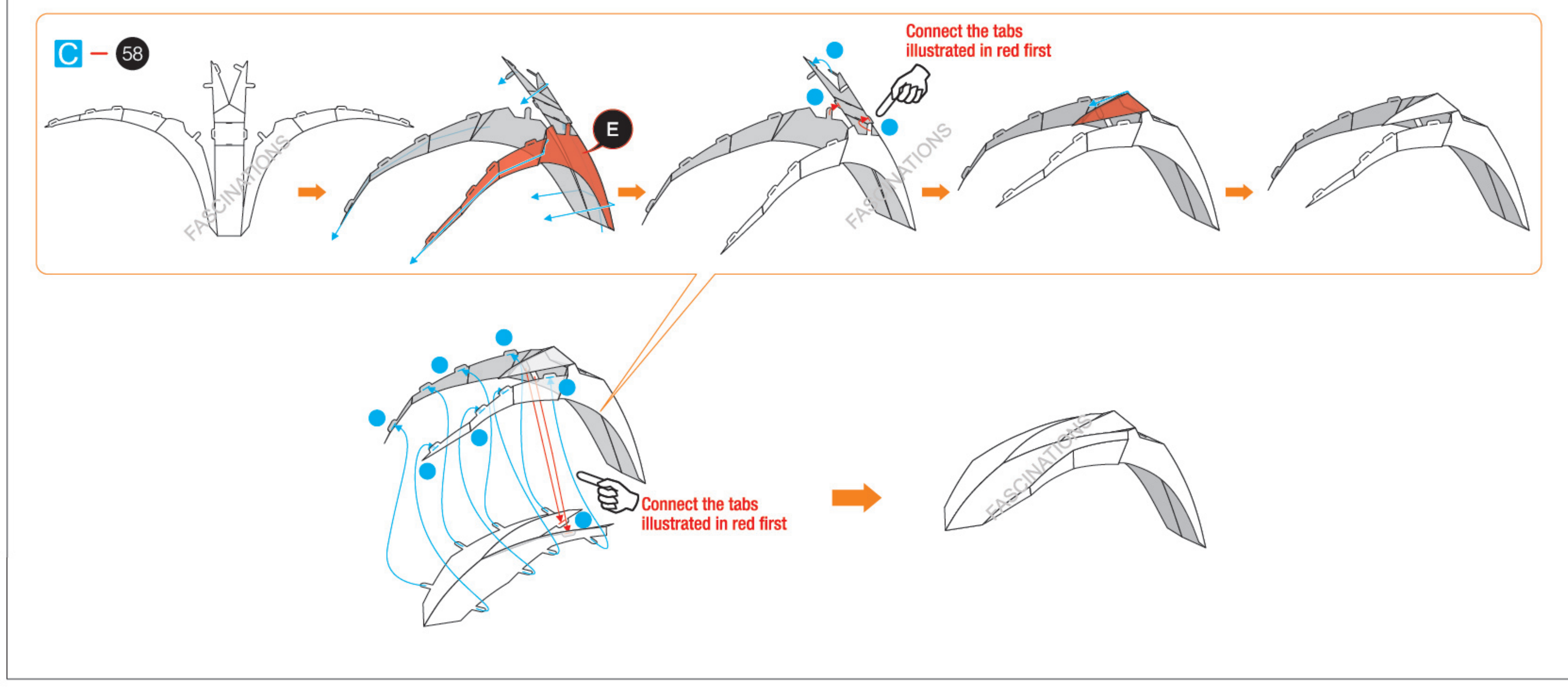
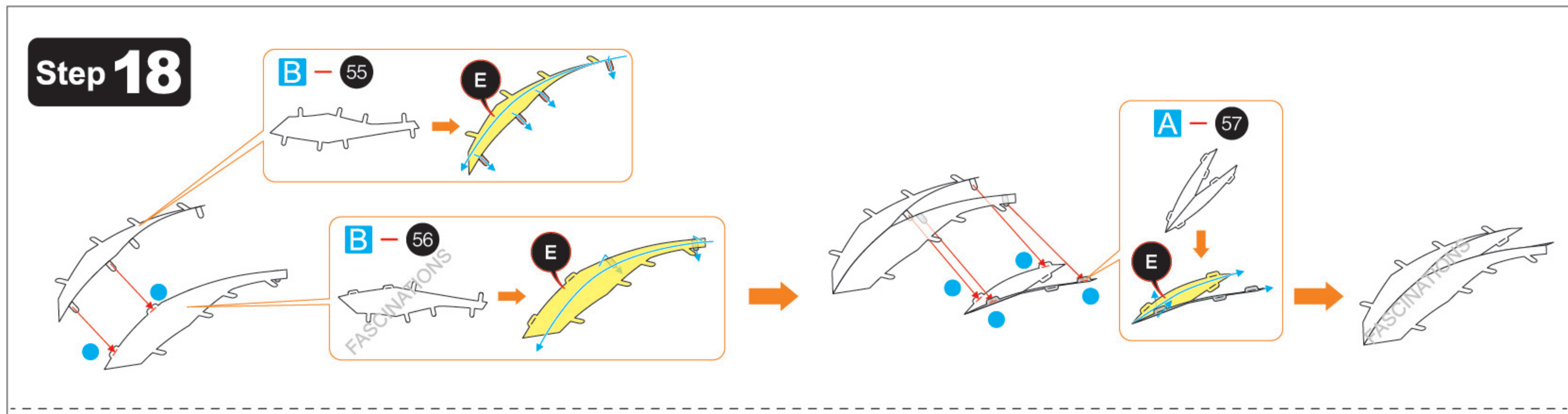
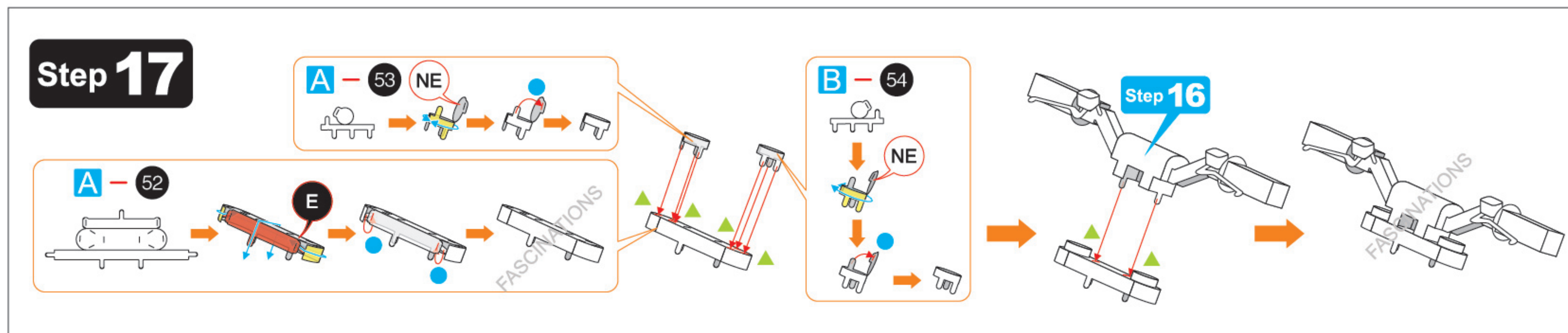
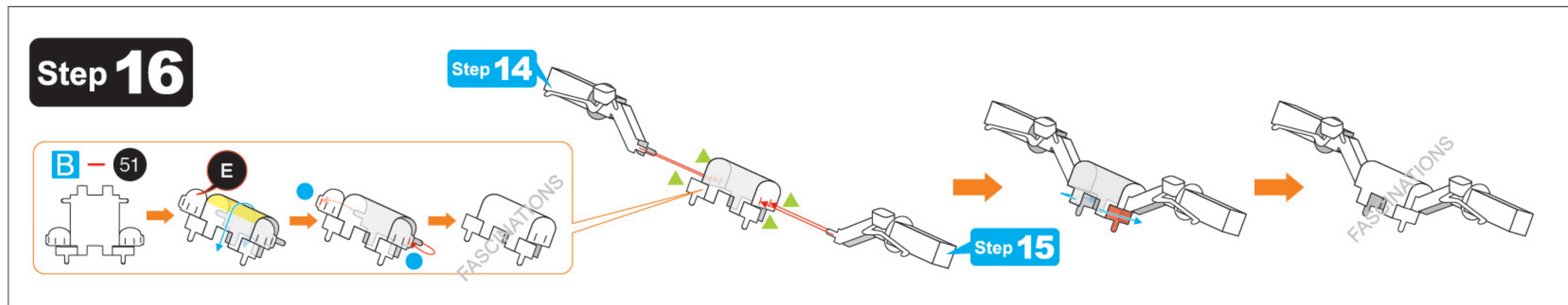
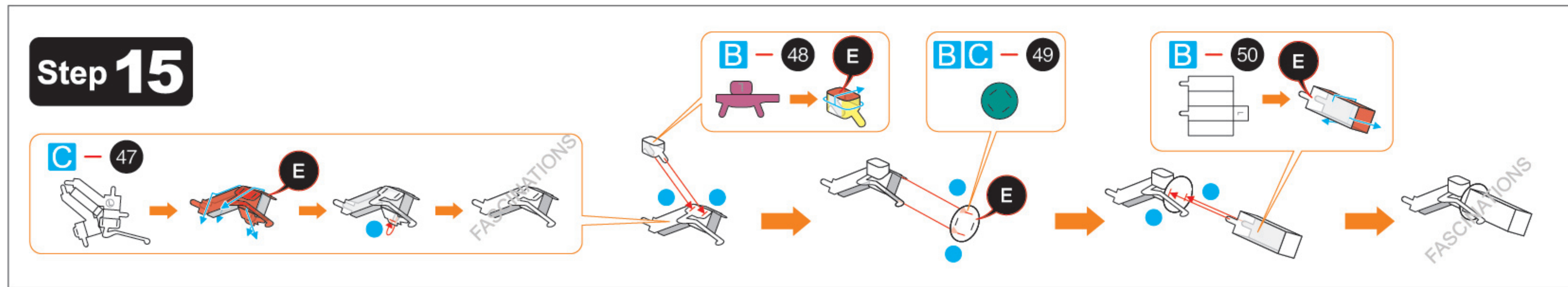
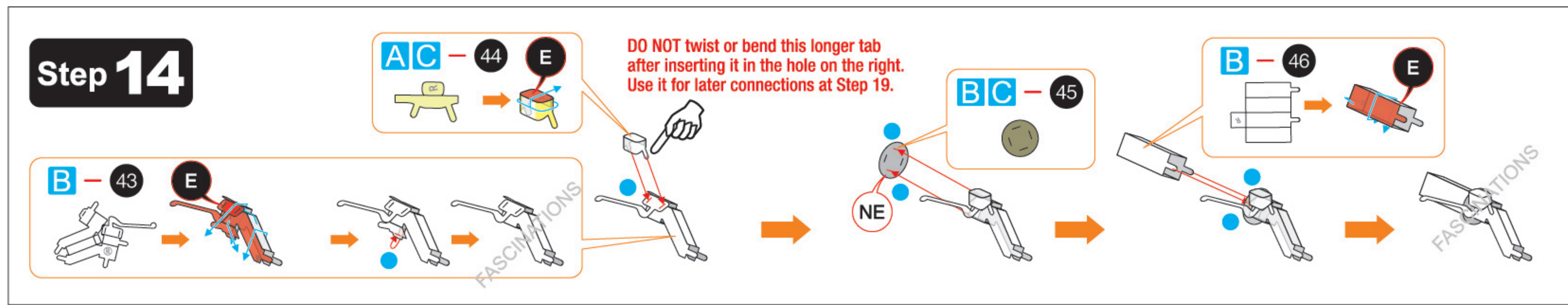
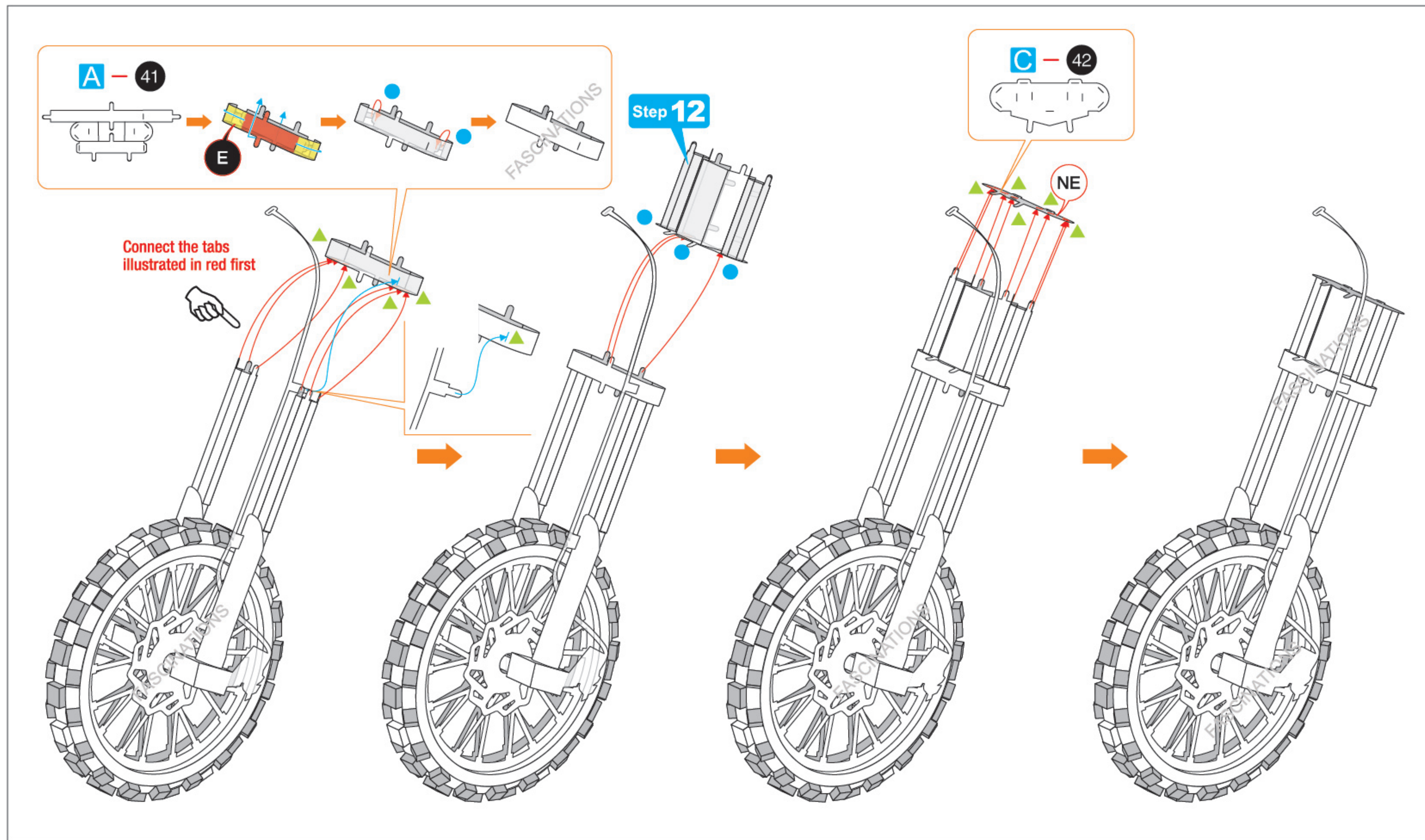


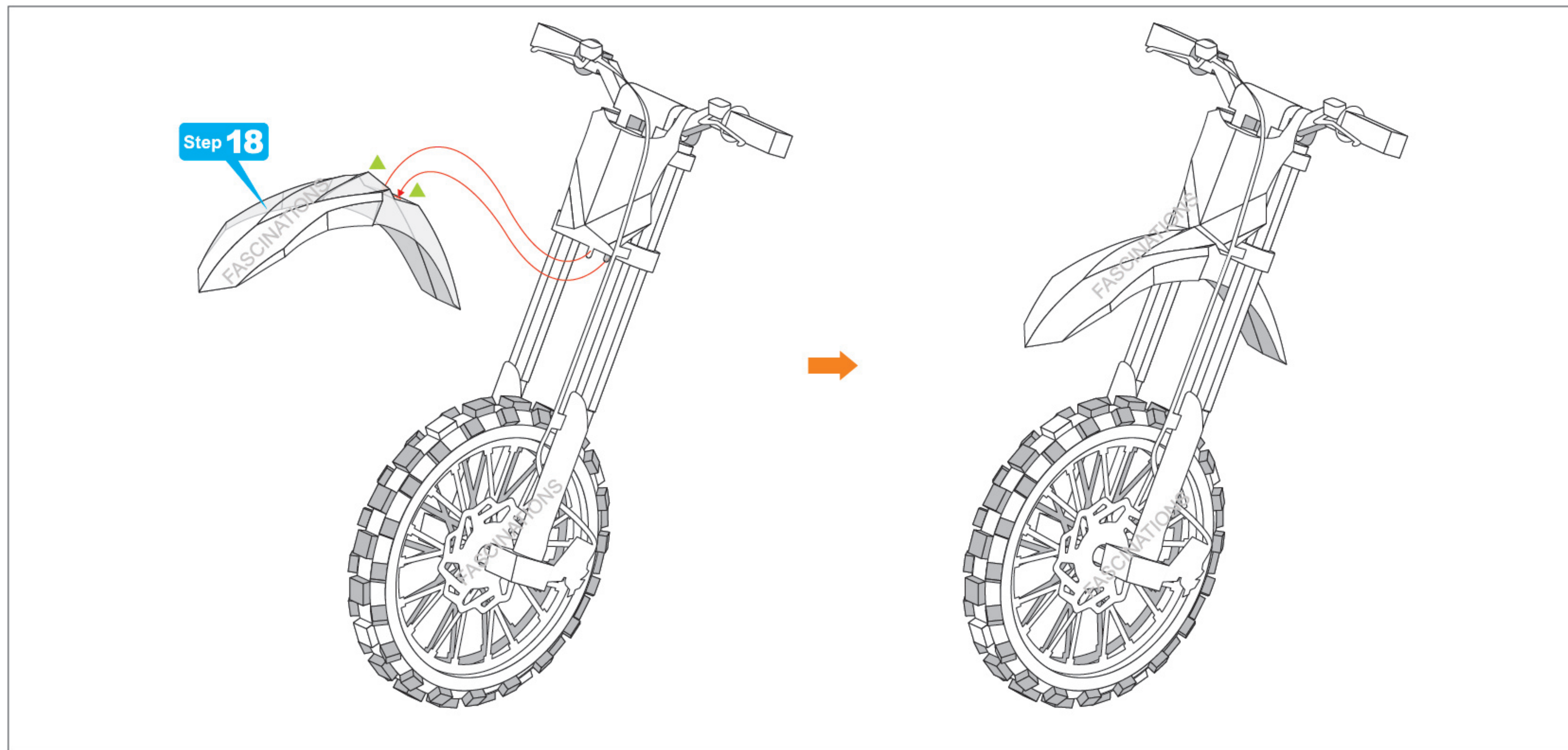
Step 11



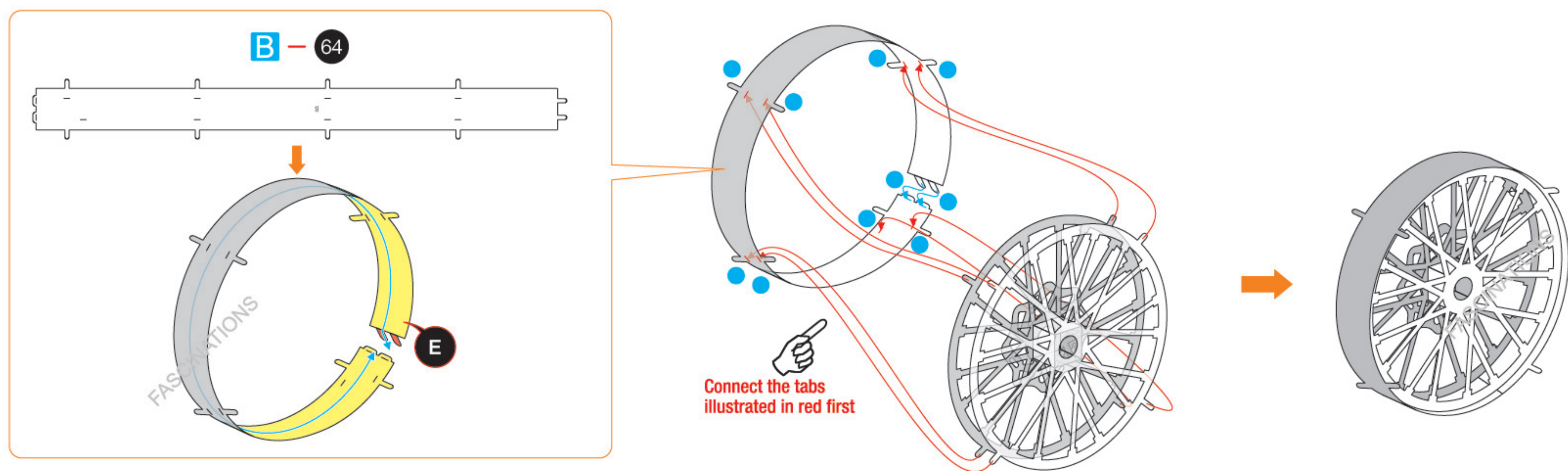
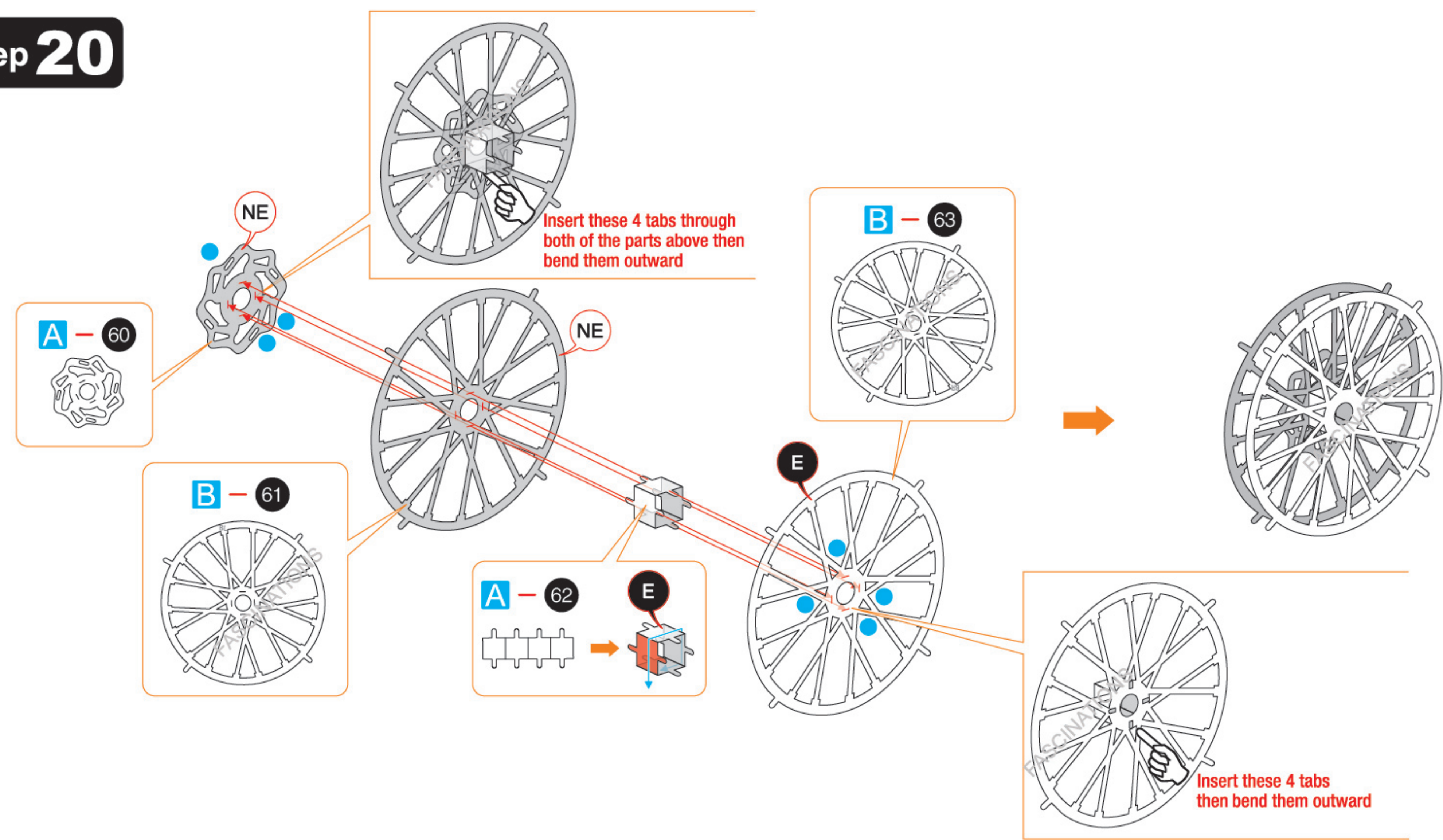
Step 13



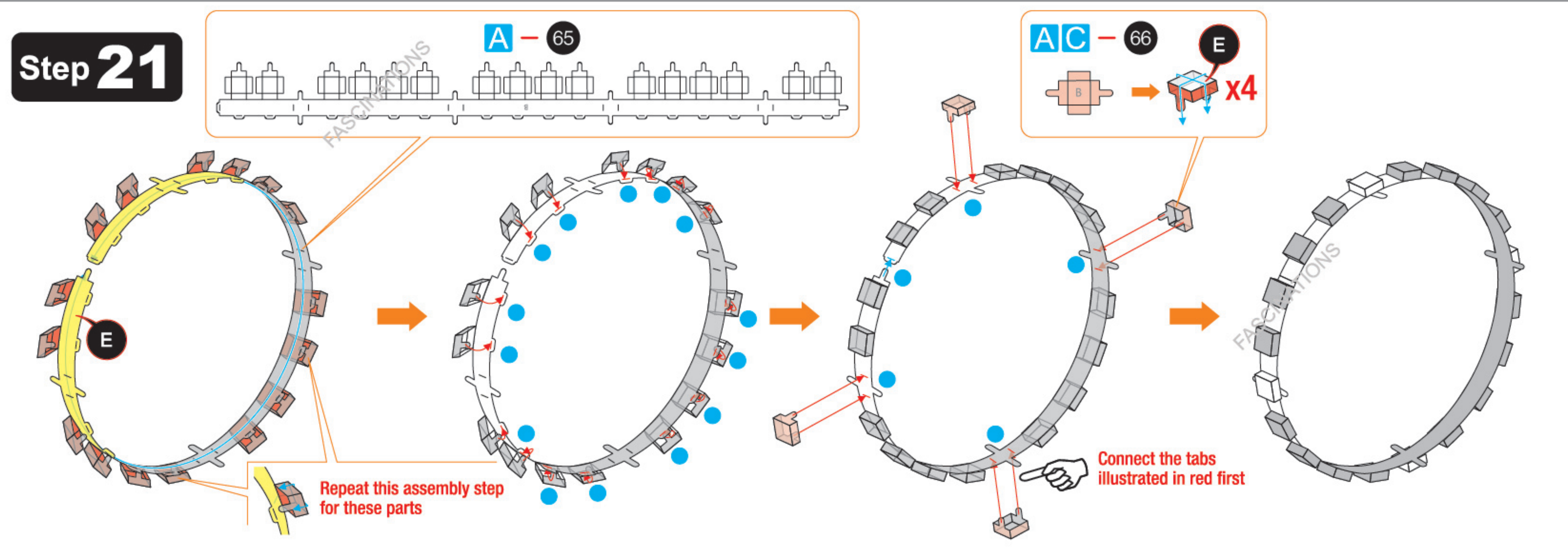




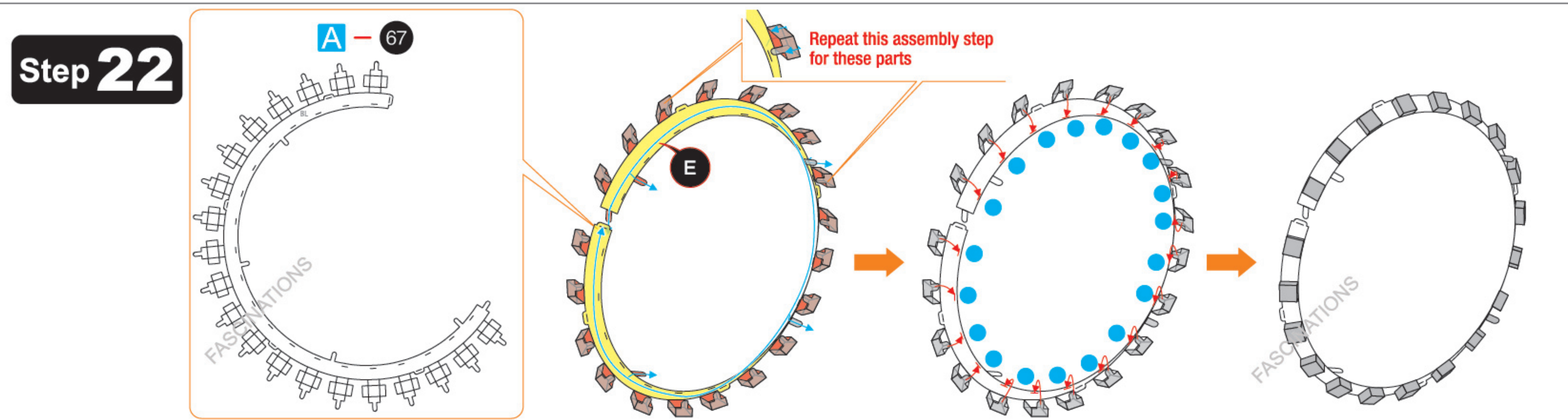
Step 20



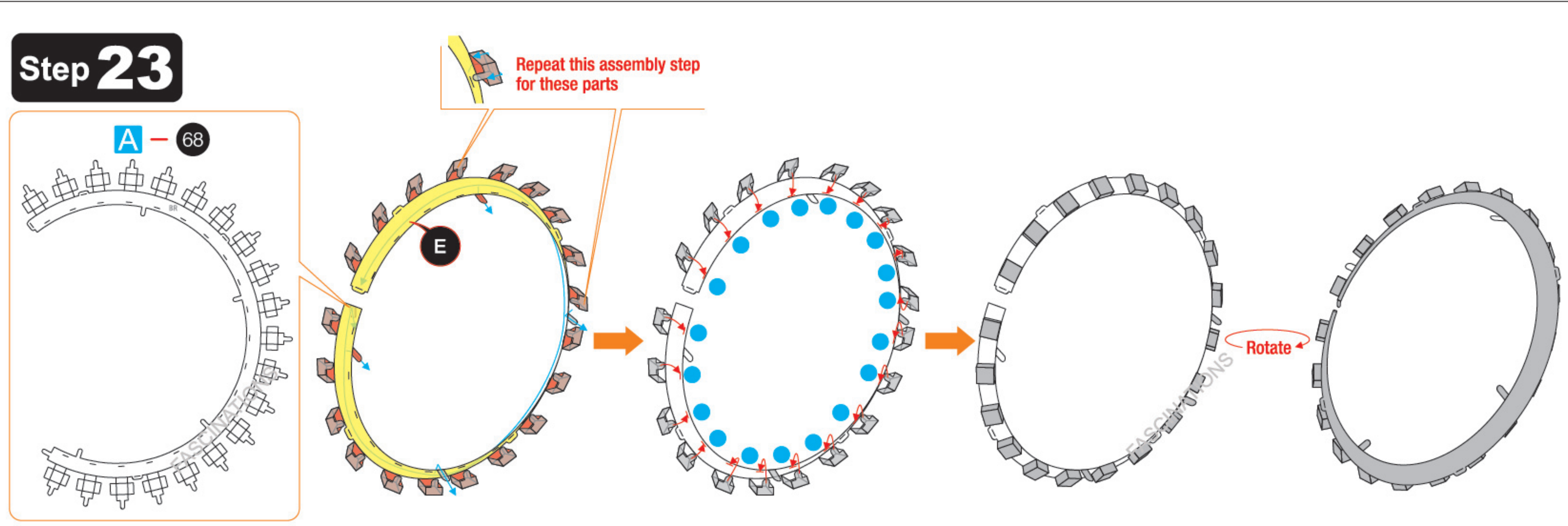
Step 21



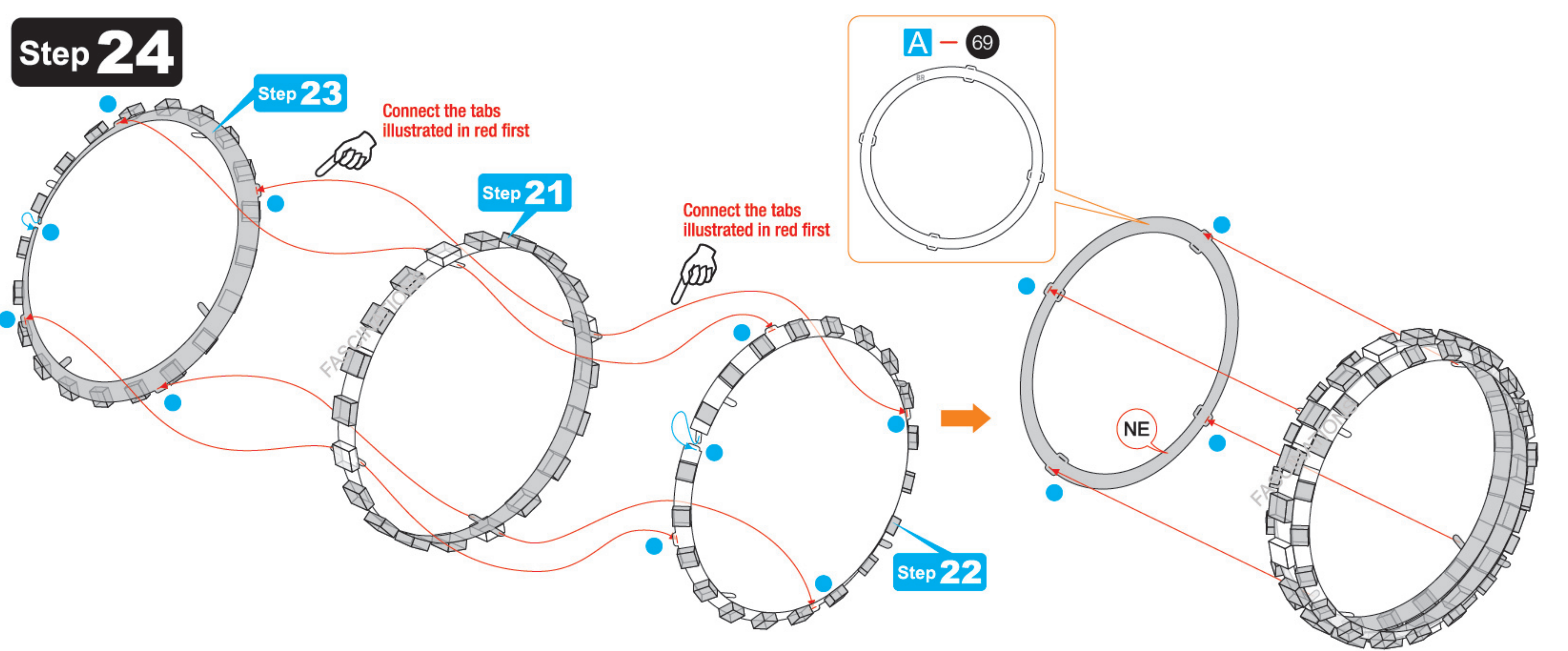
Step 22

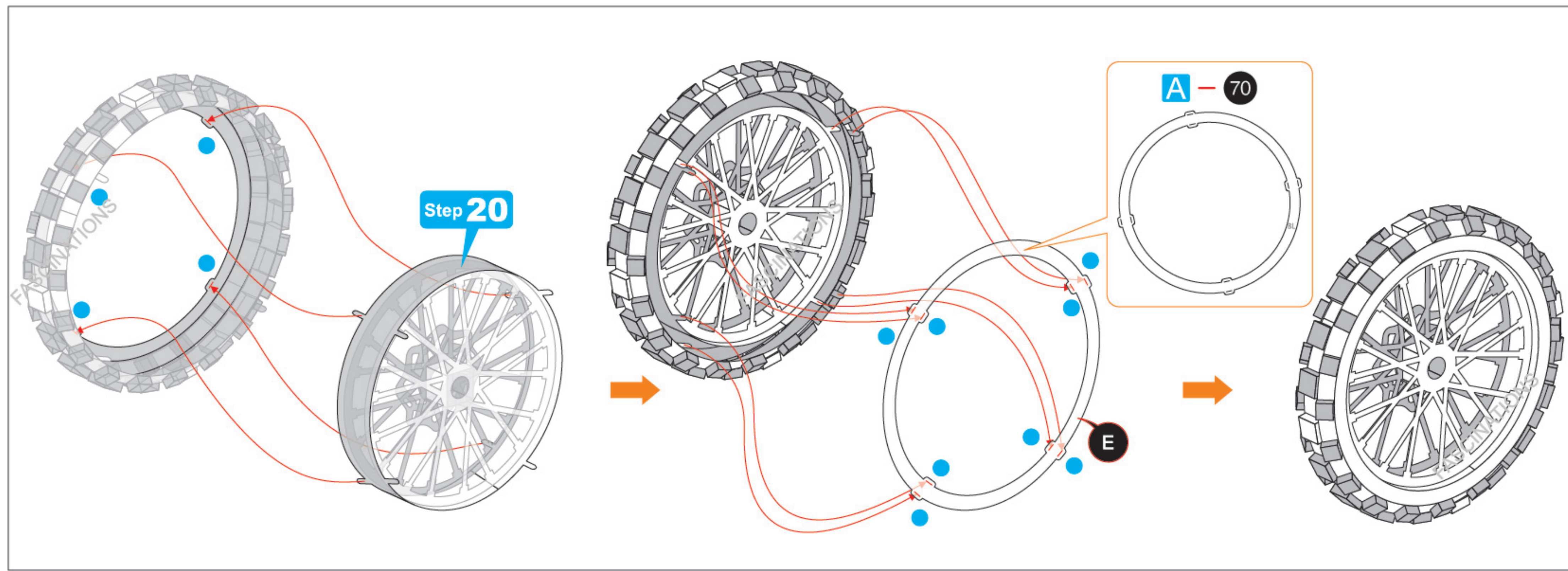


Step 23

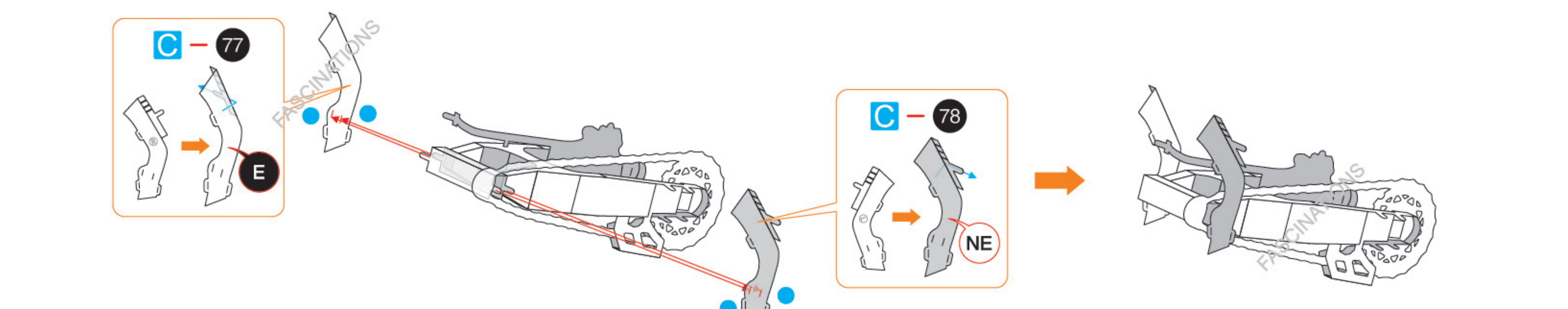
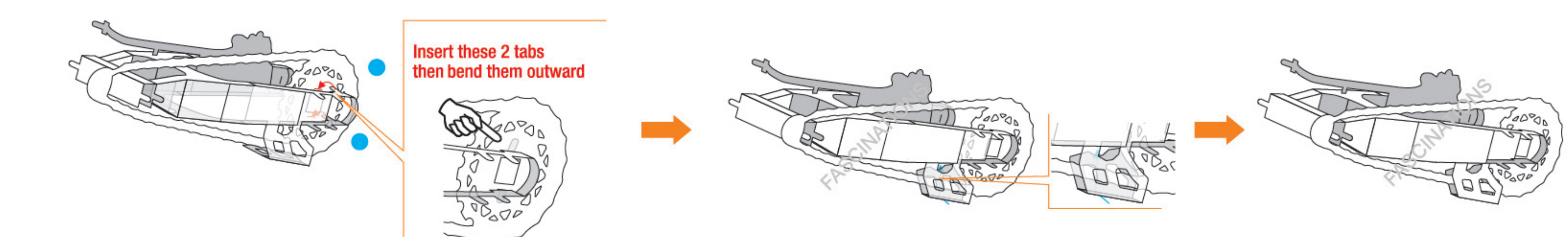
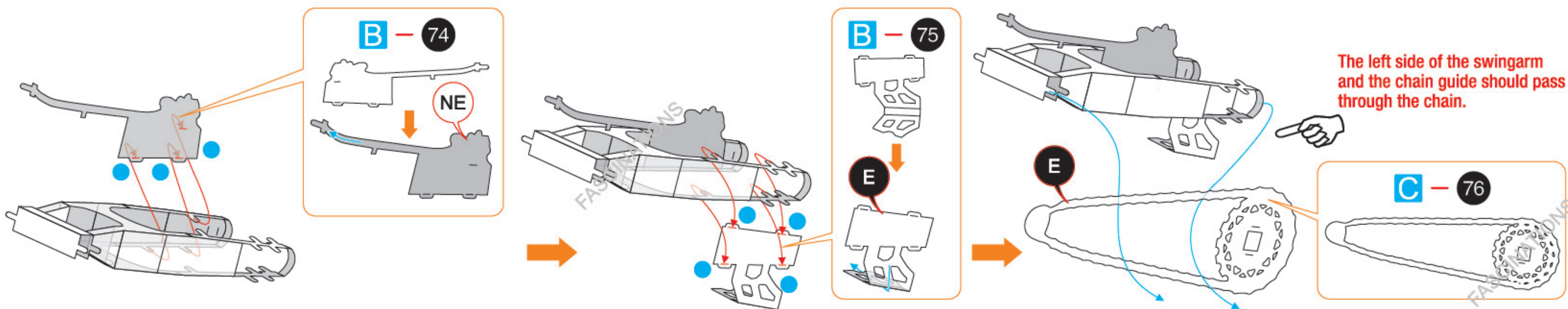
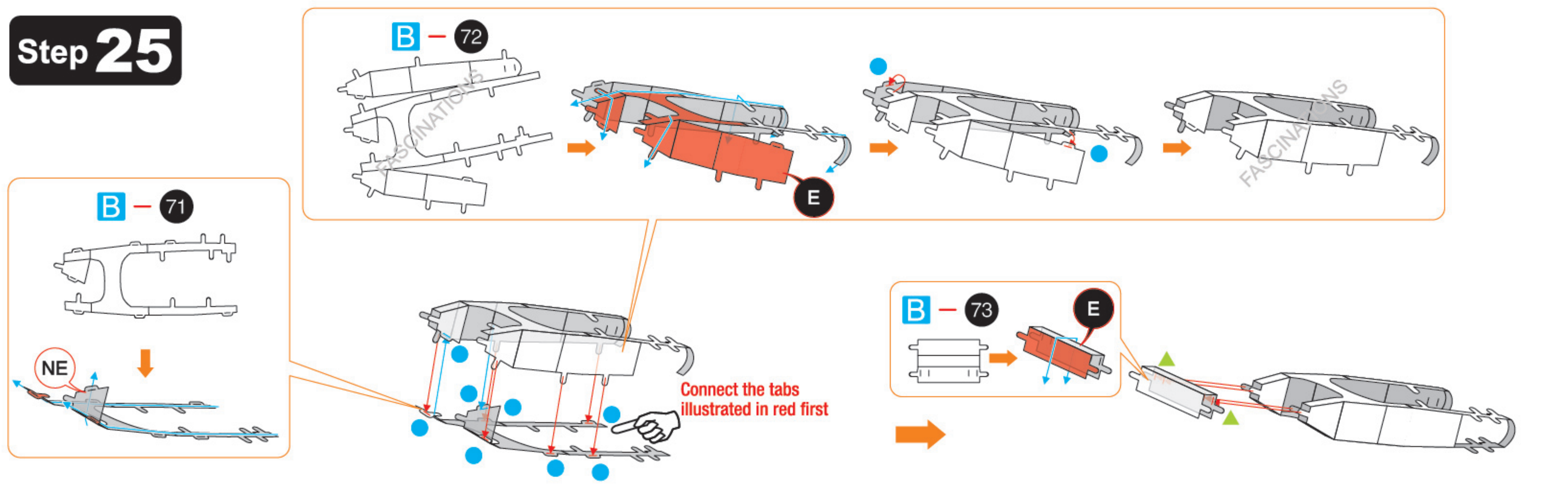


Step 24

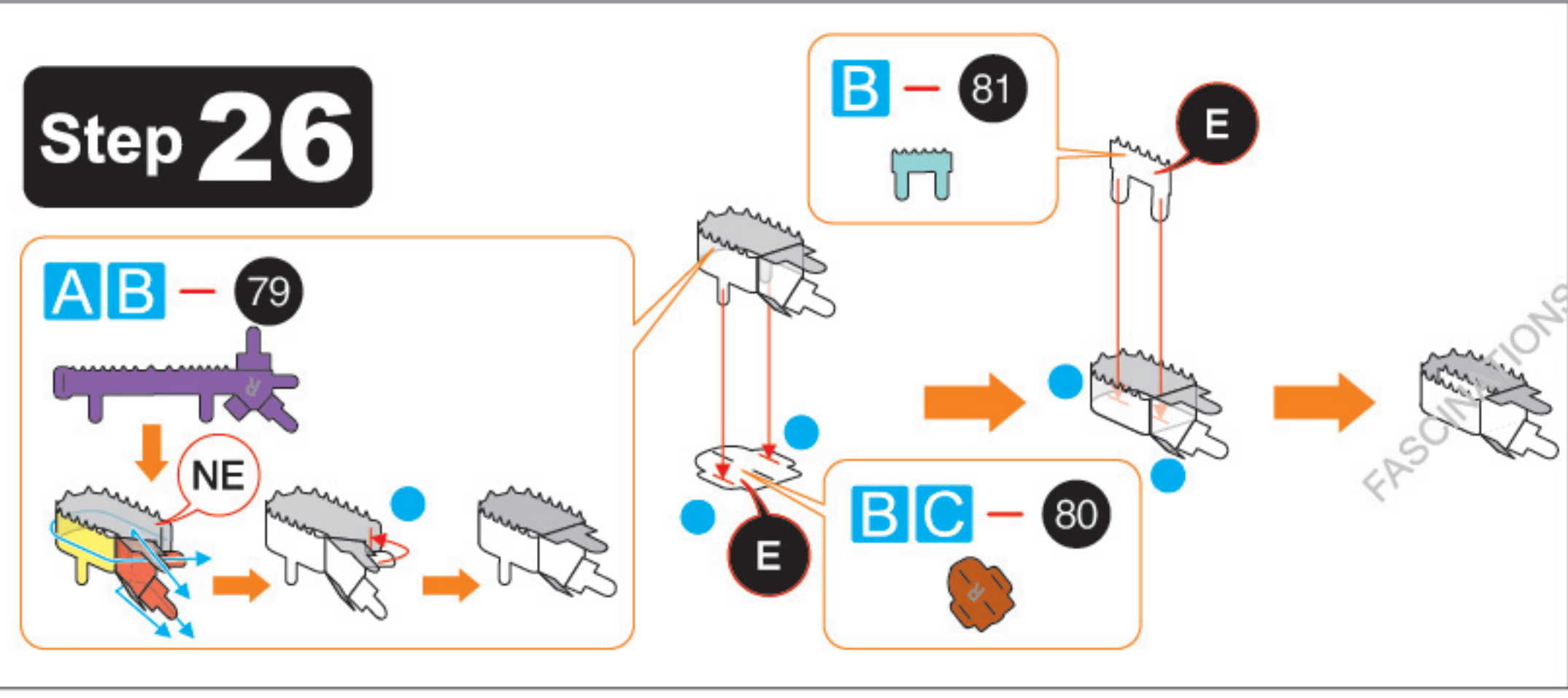




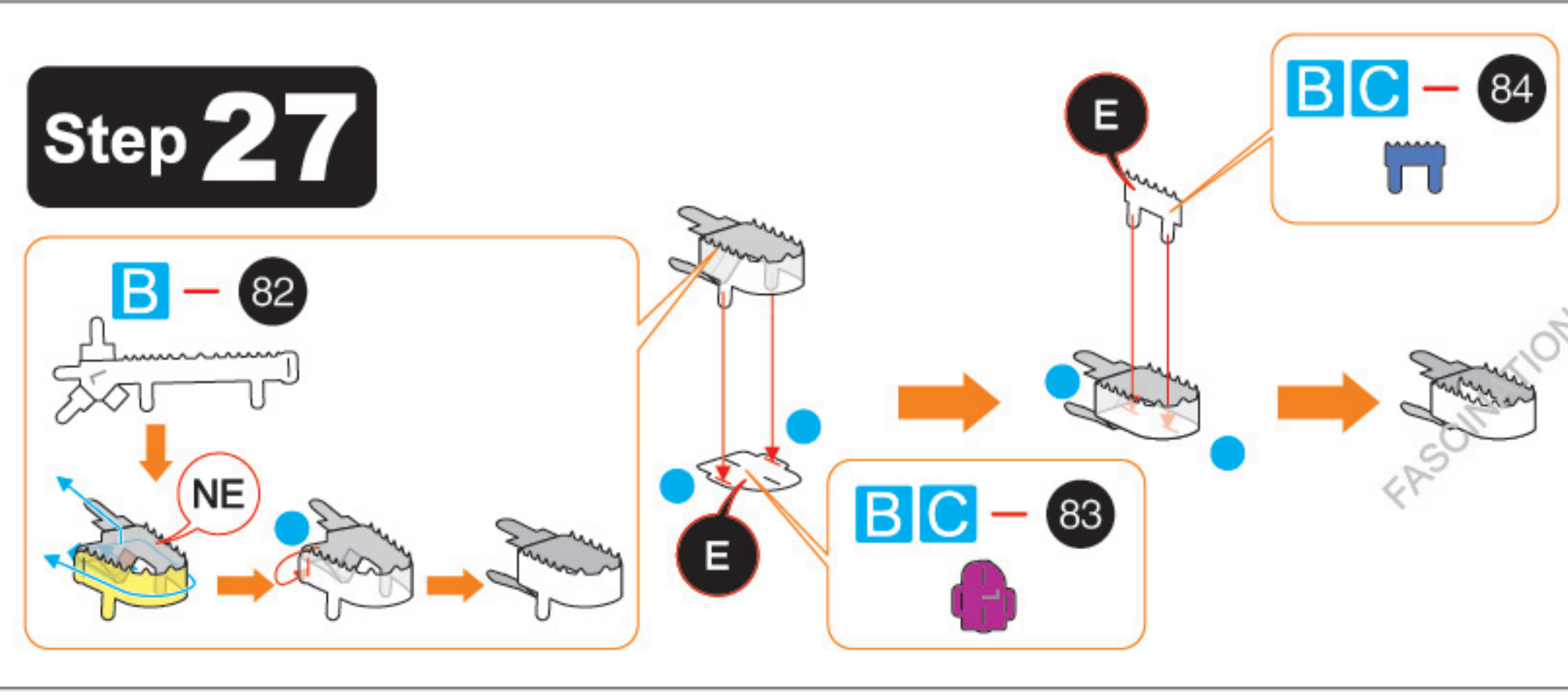
Step 25



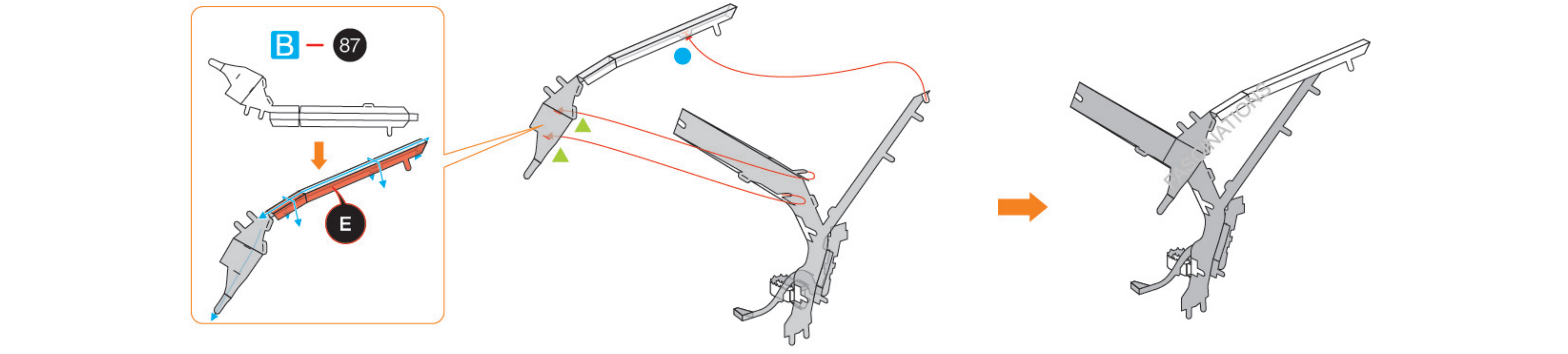
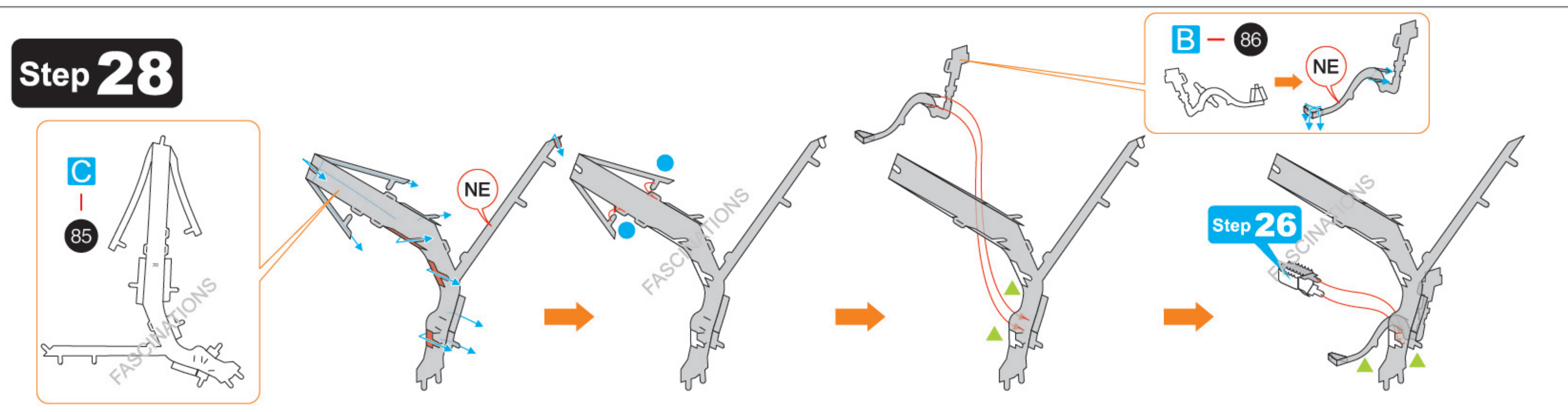
Step 26



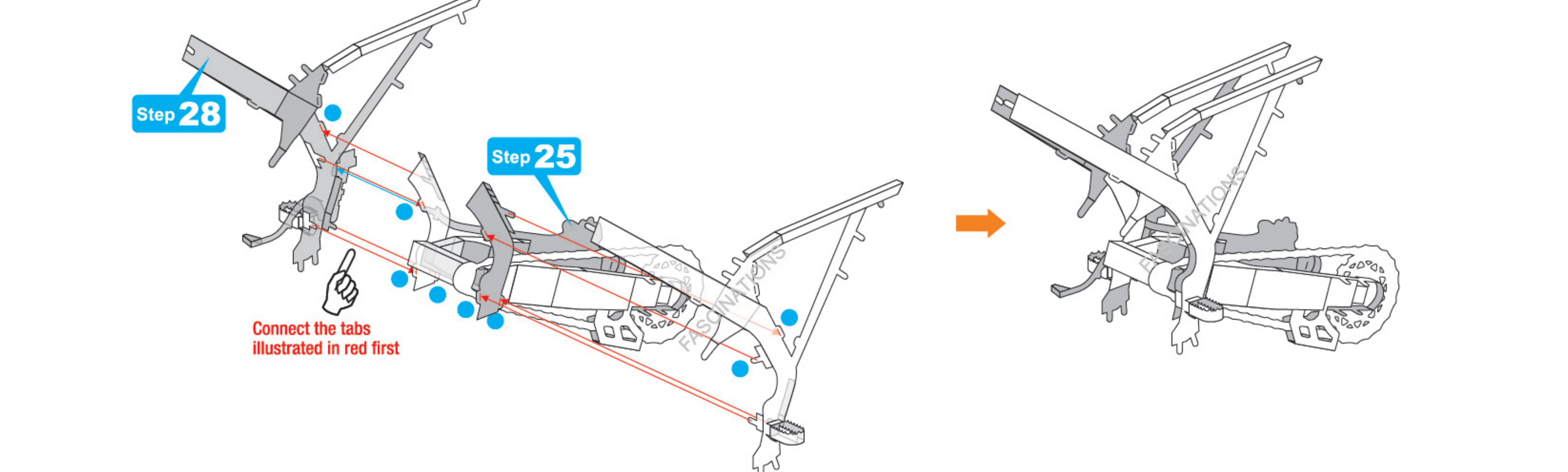
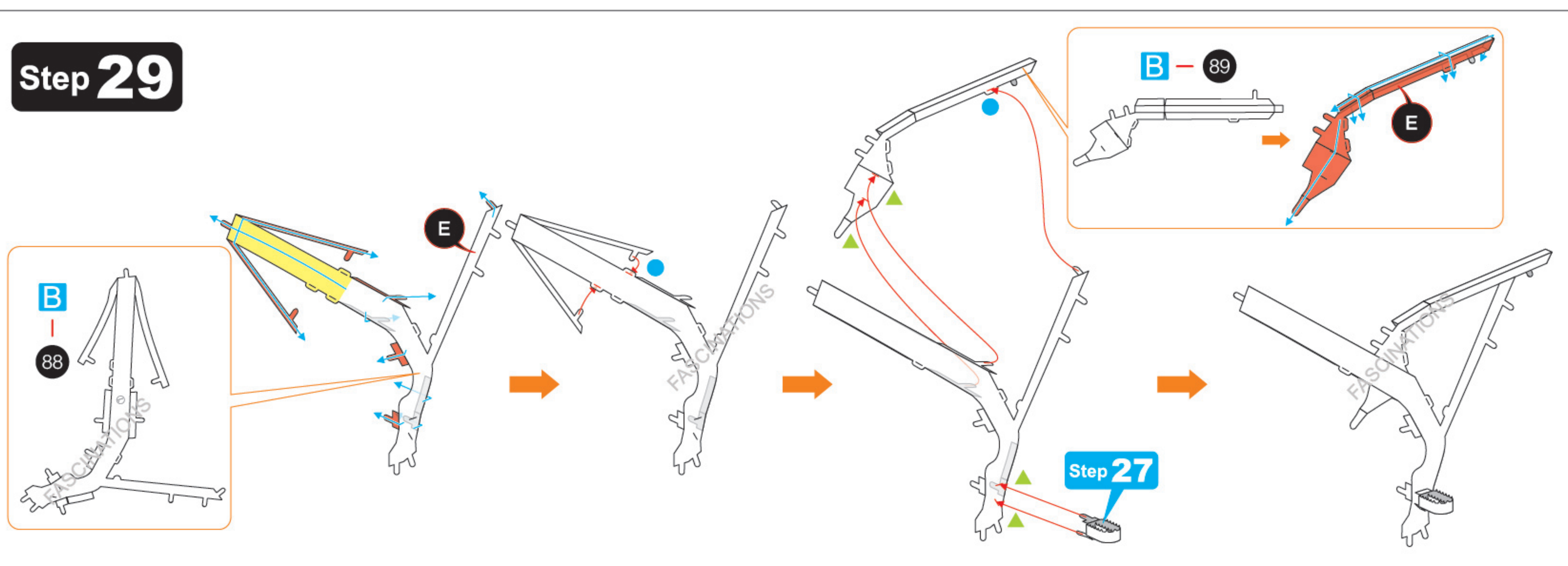
Step 27



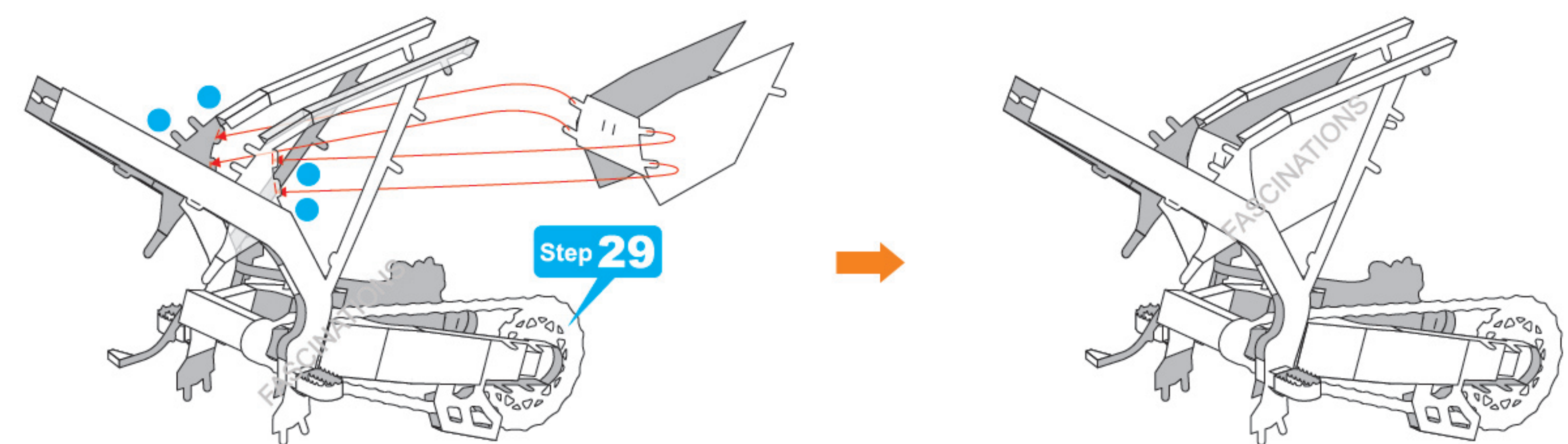
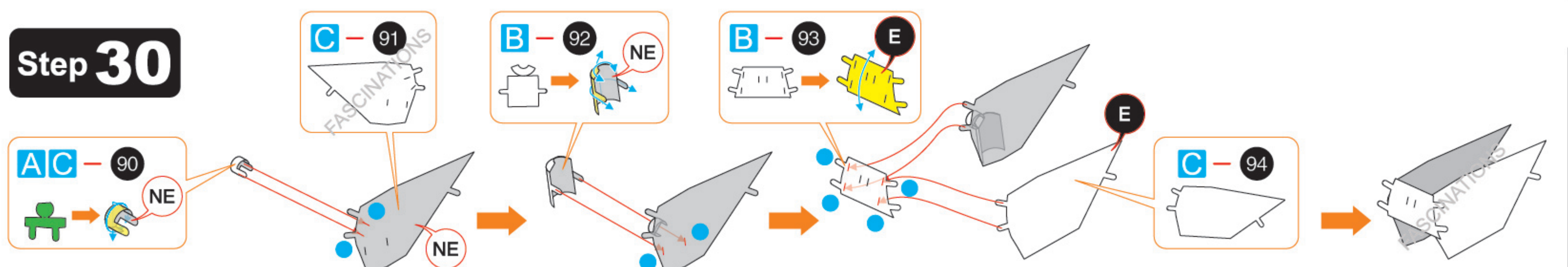
Step 28



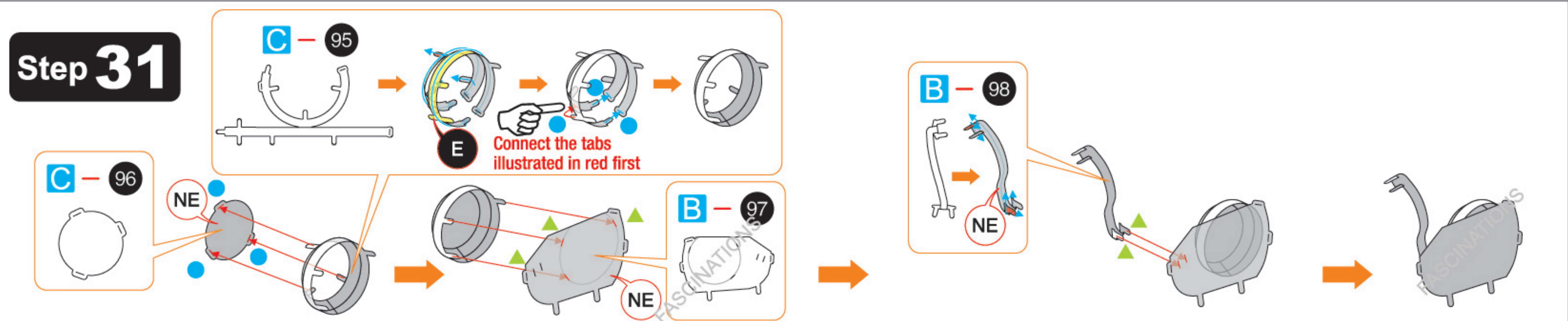
Step 29



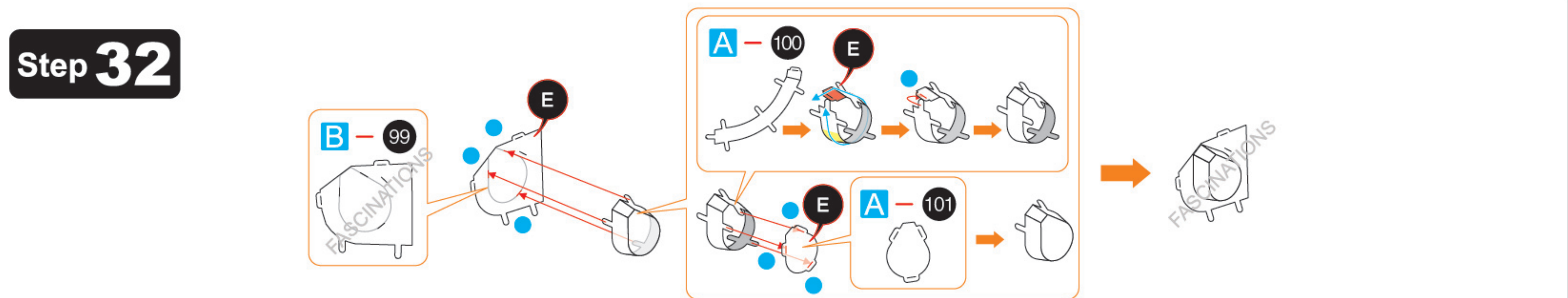
Step 30



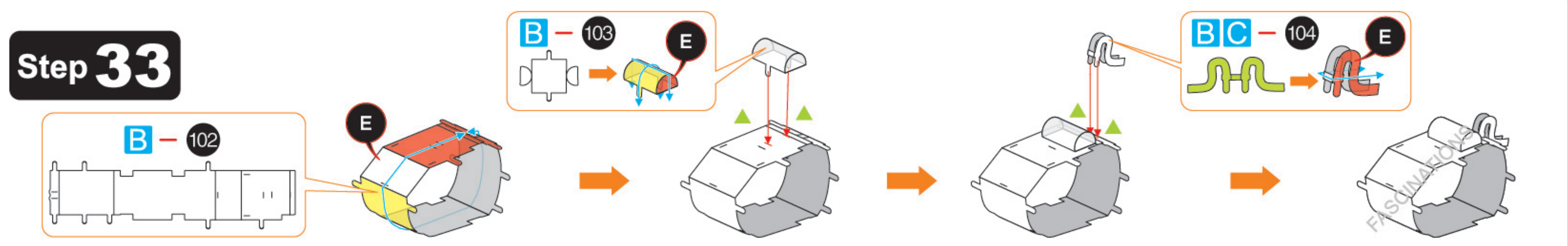
Step 31



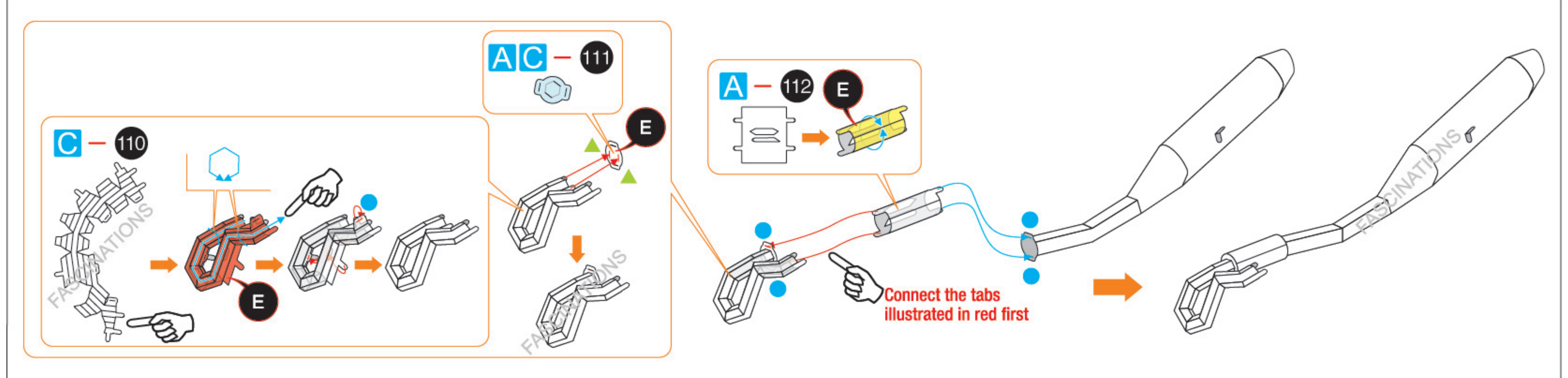
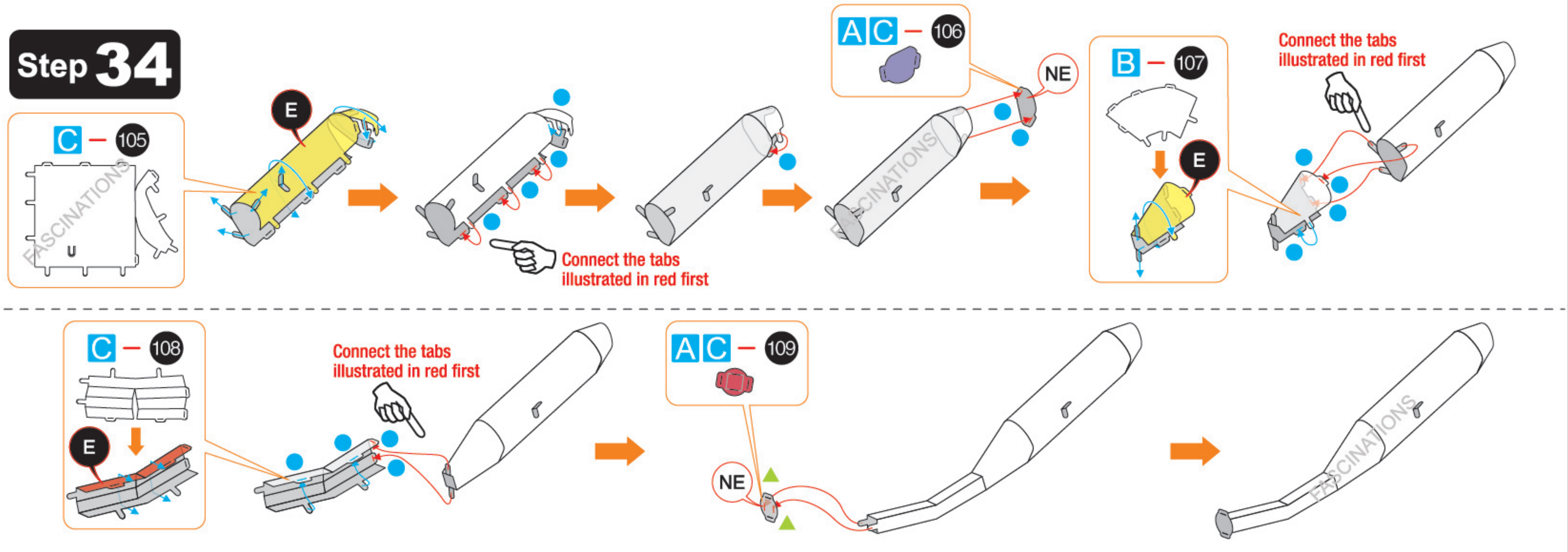
Step 32



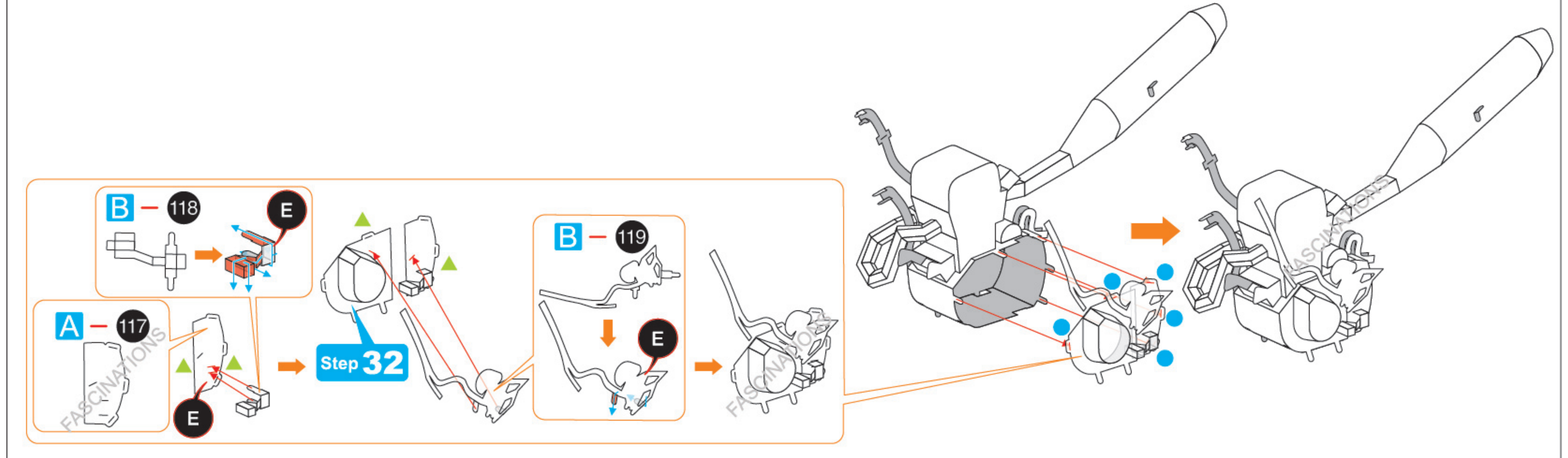
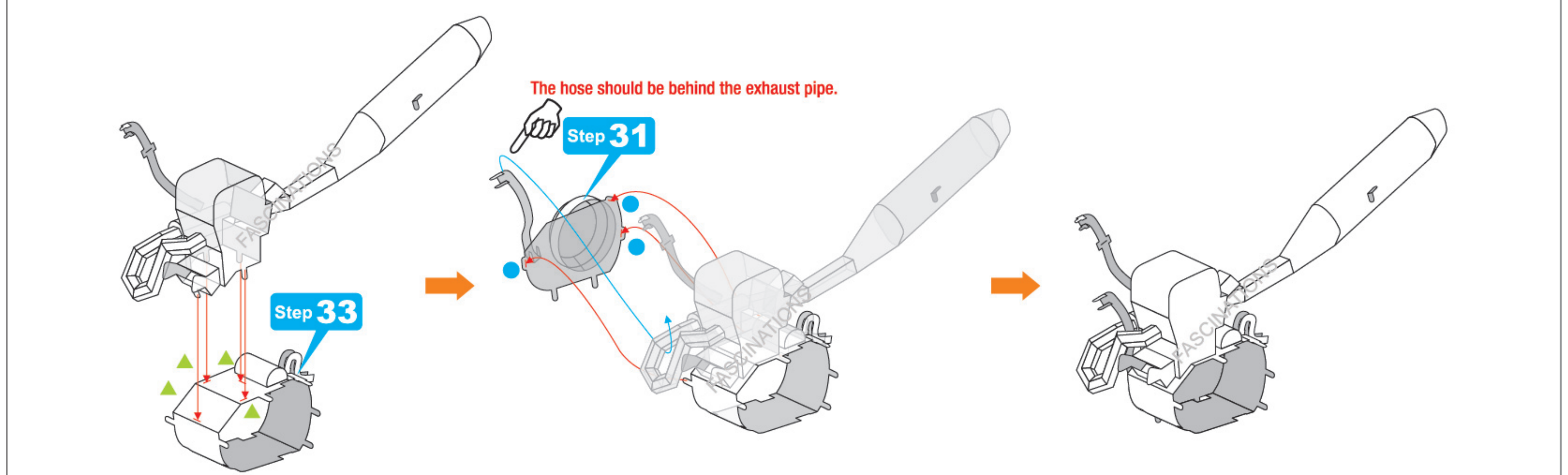
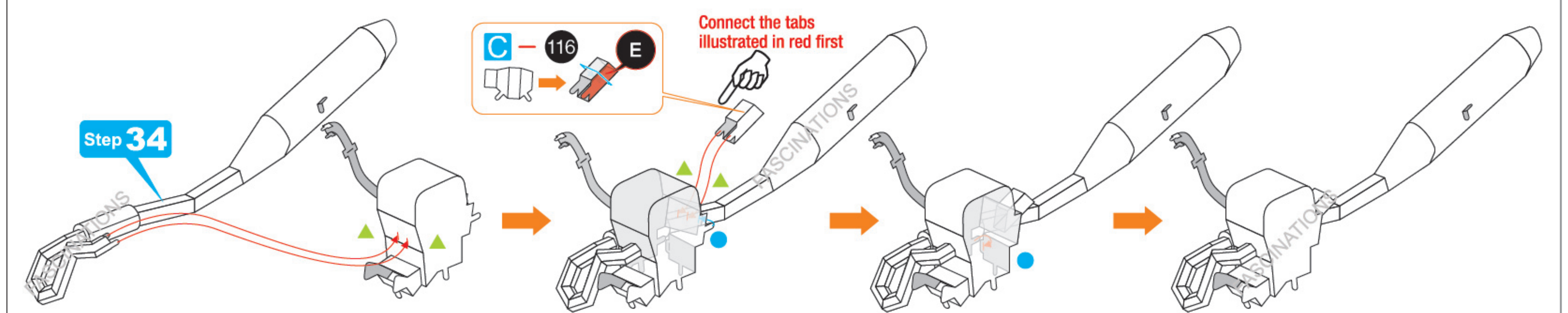
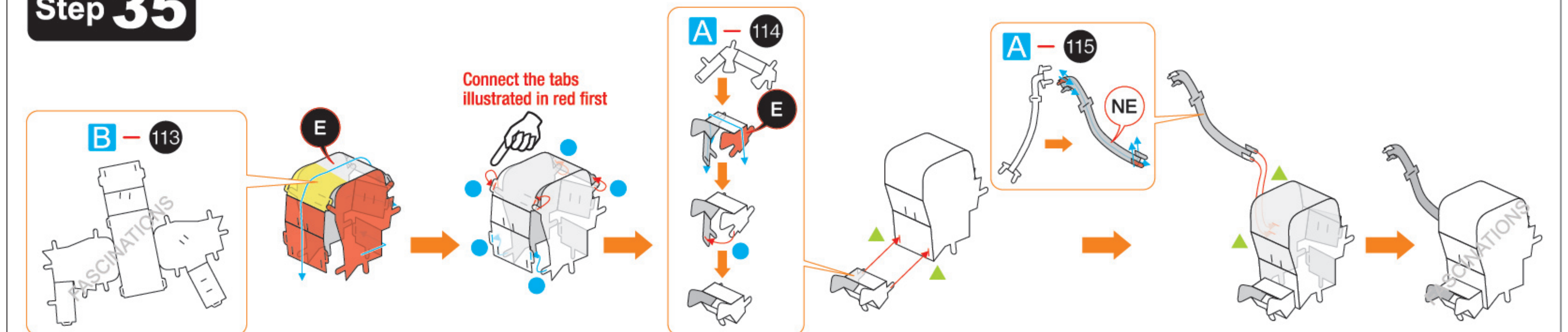
Step 33



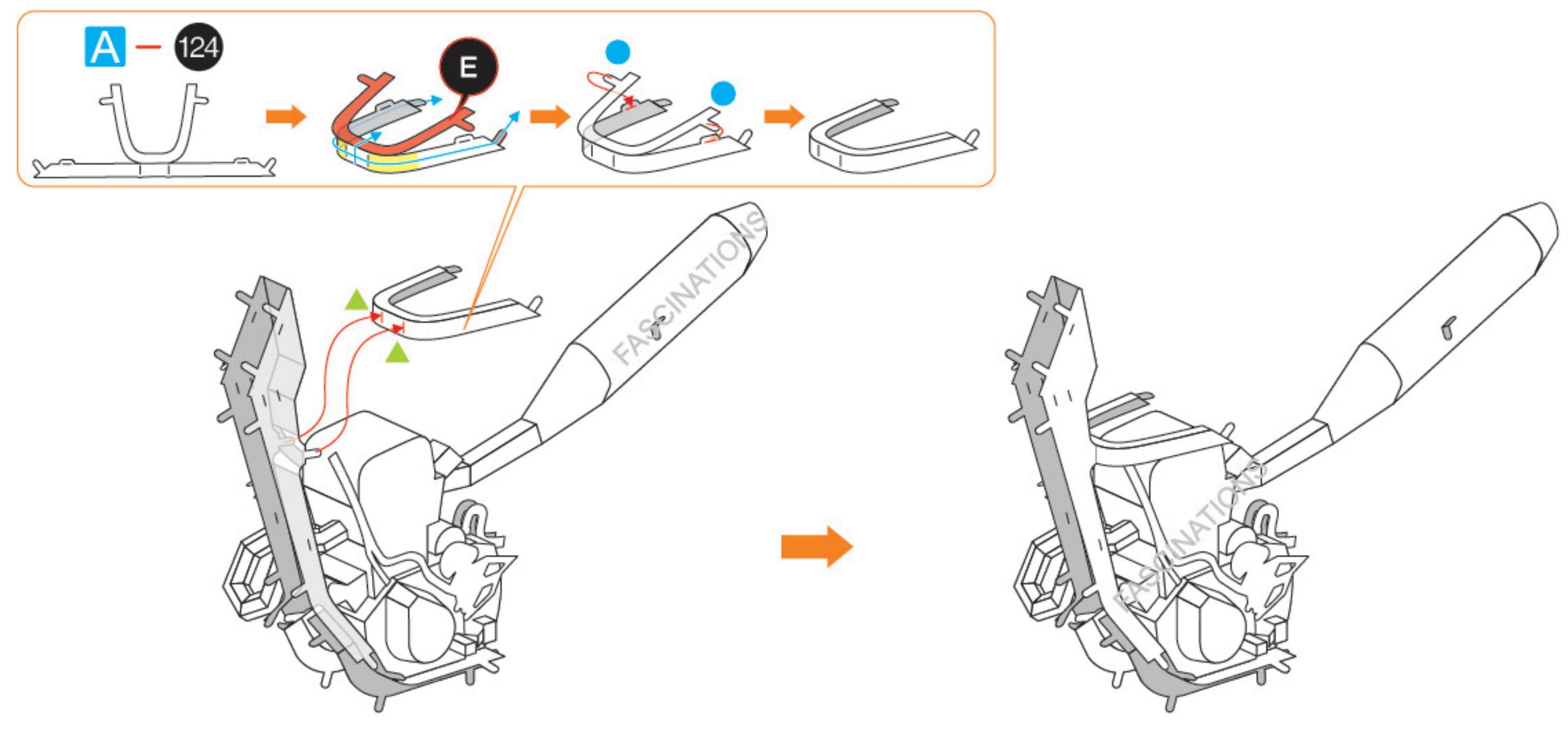
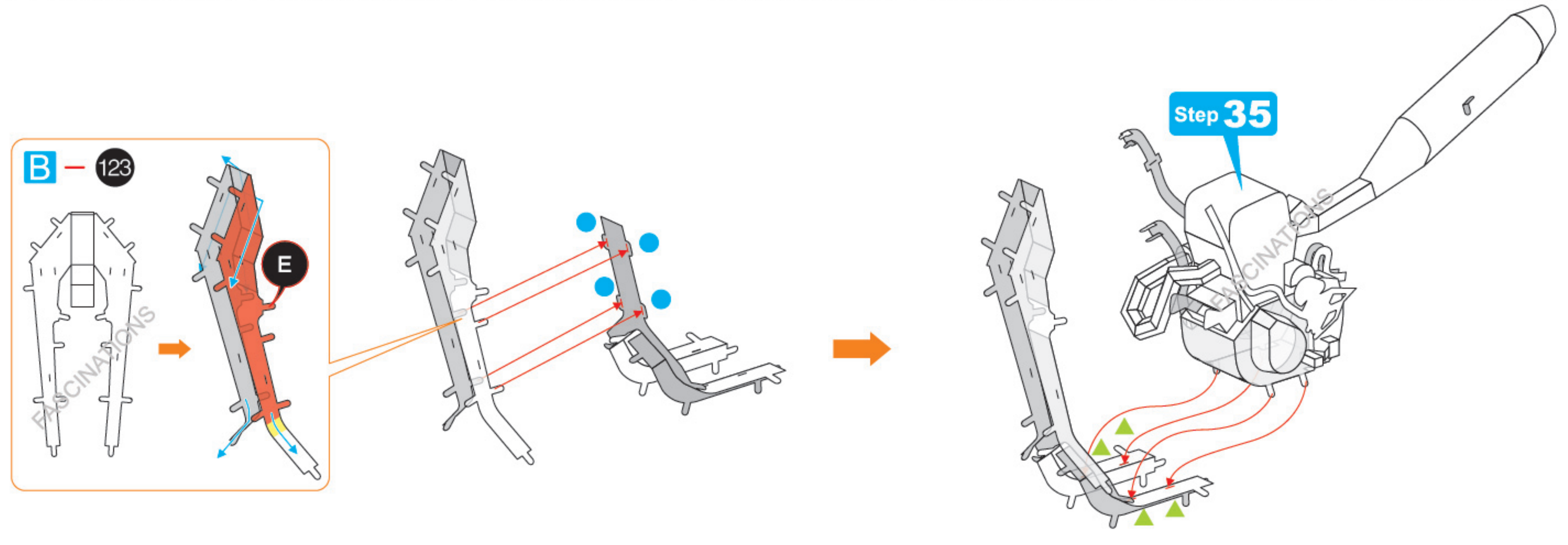
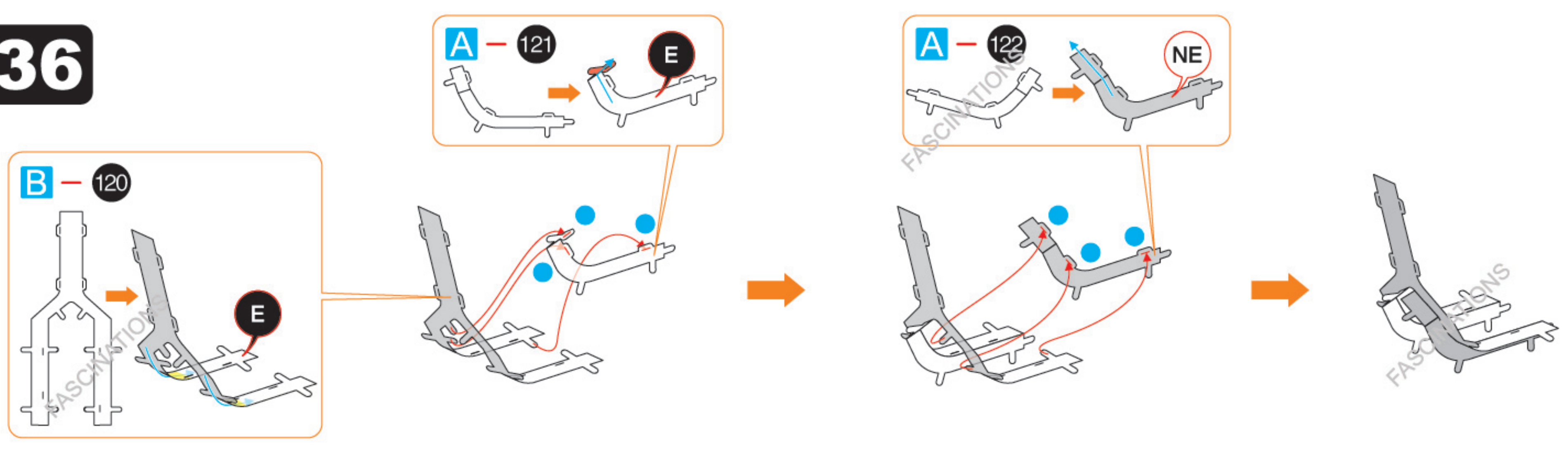
Step 34



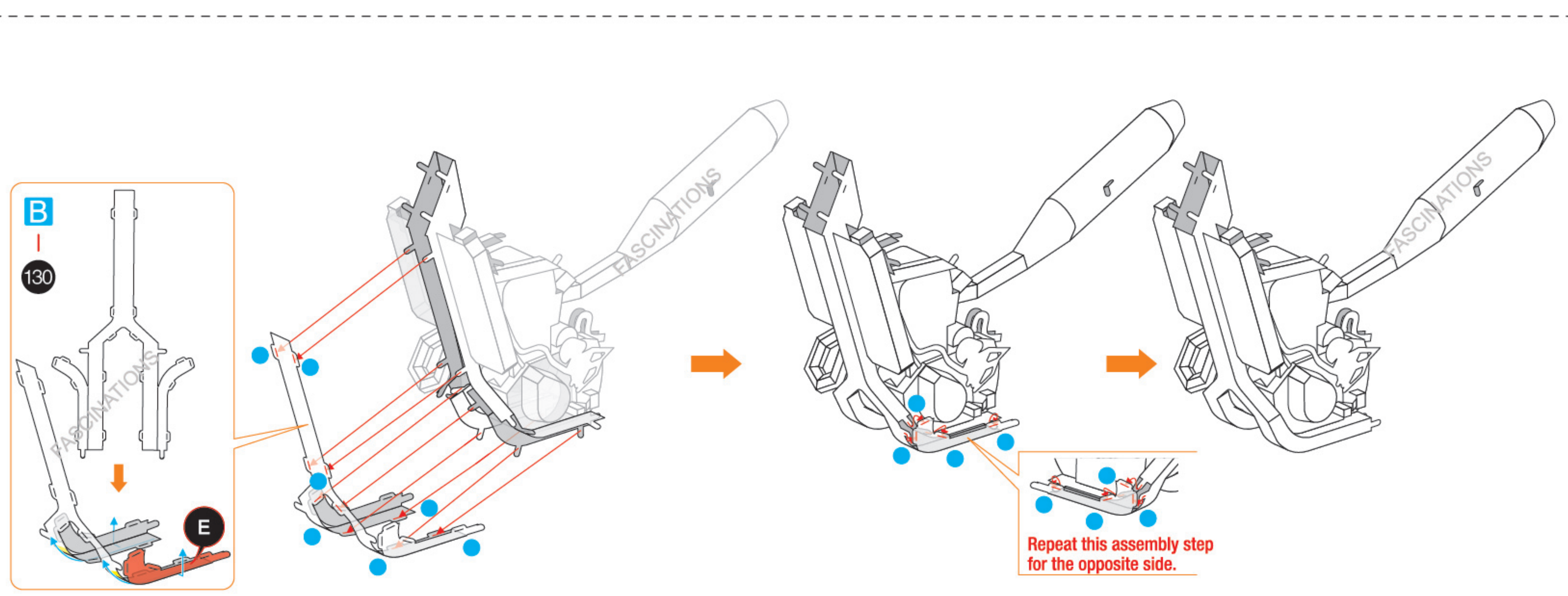
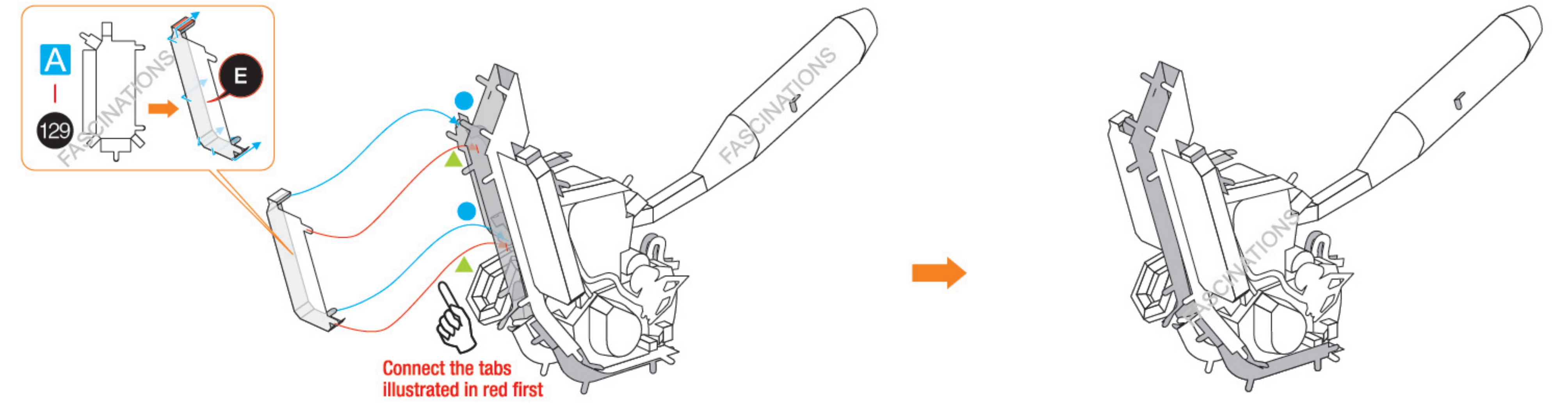
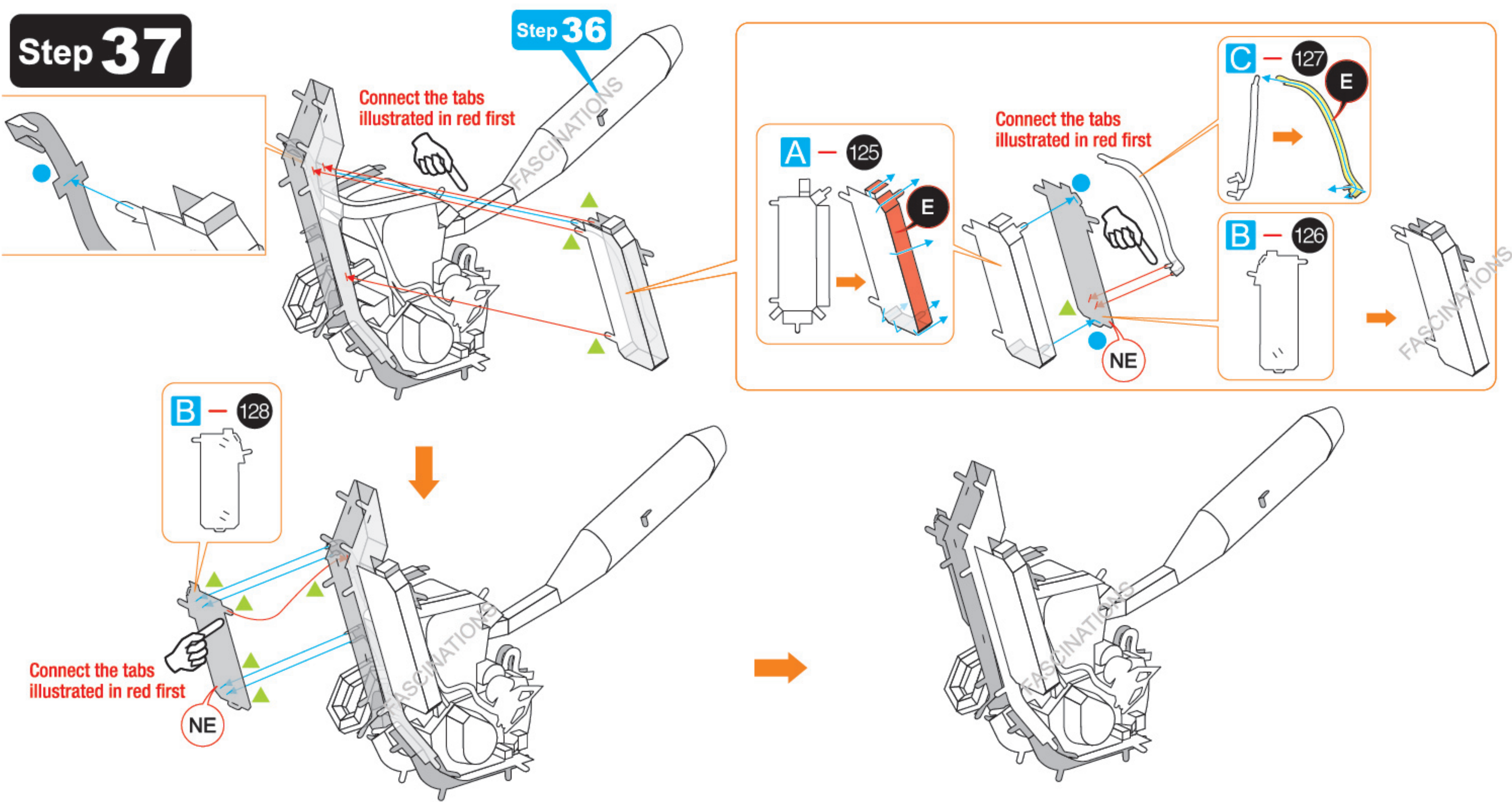
Step 35



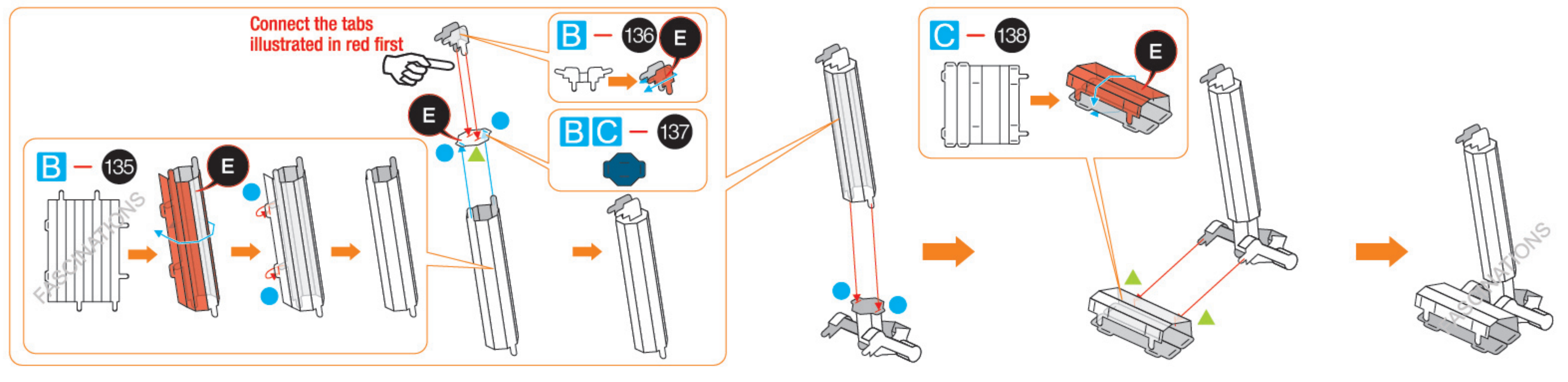
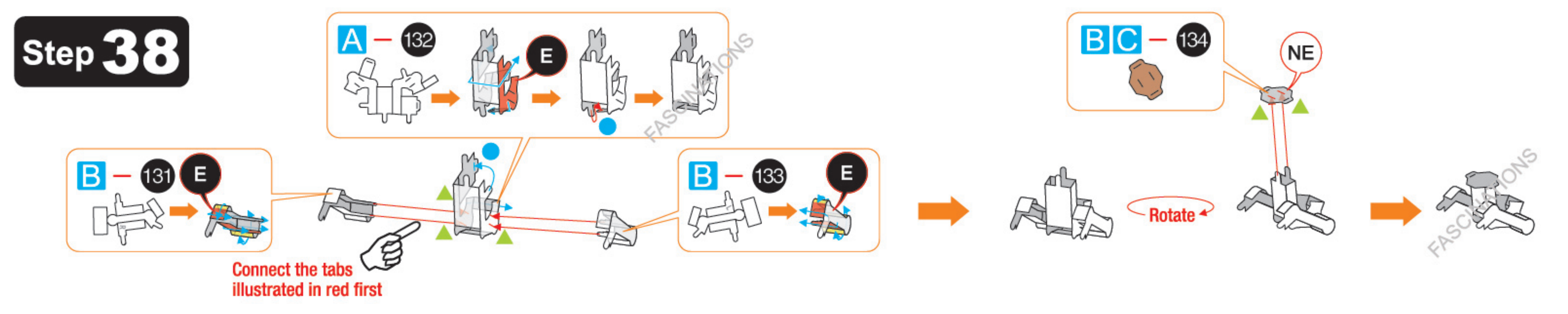
Step 36



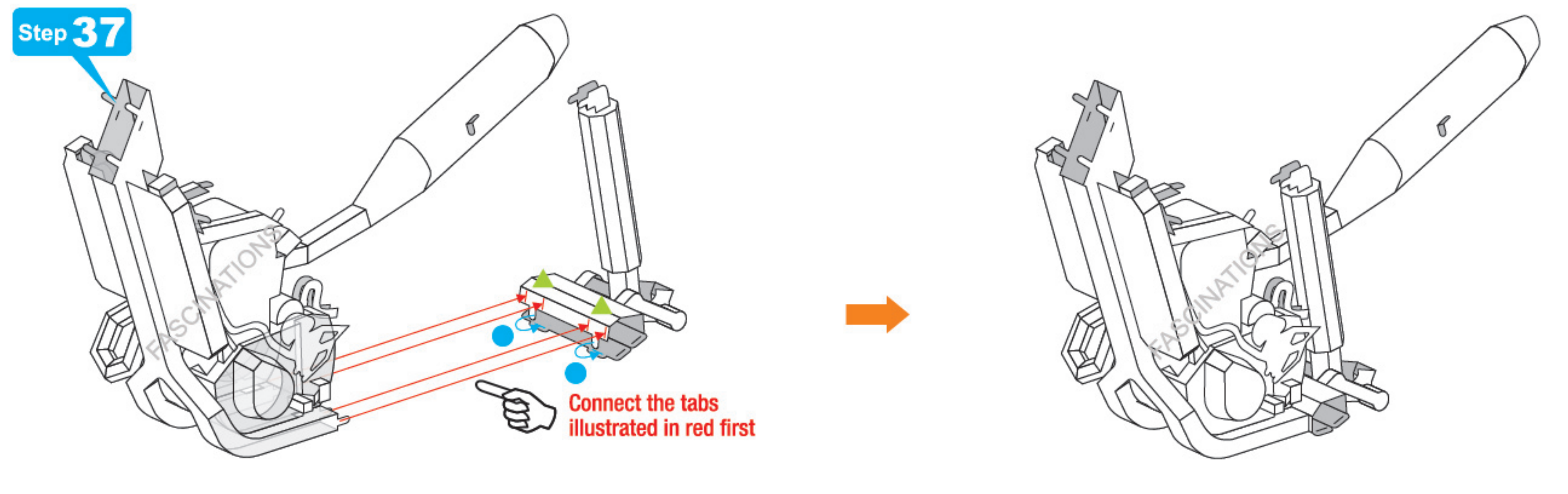
Step 37



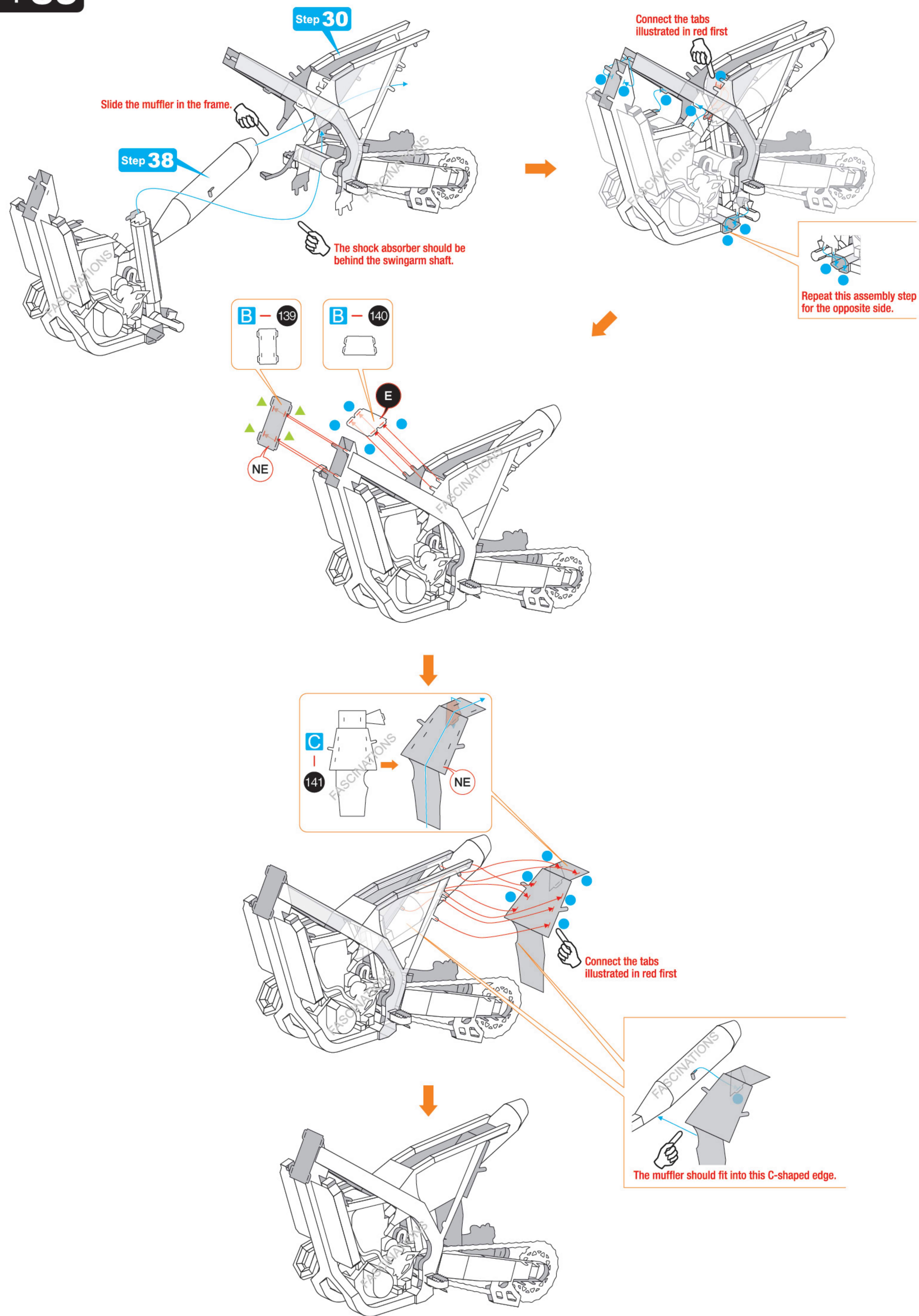
Step 38



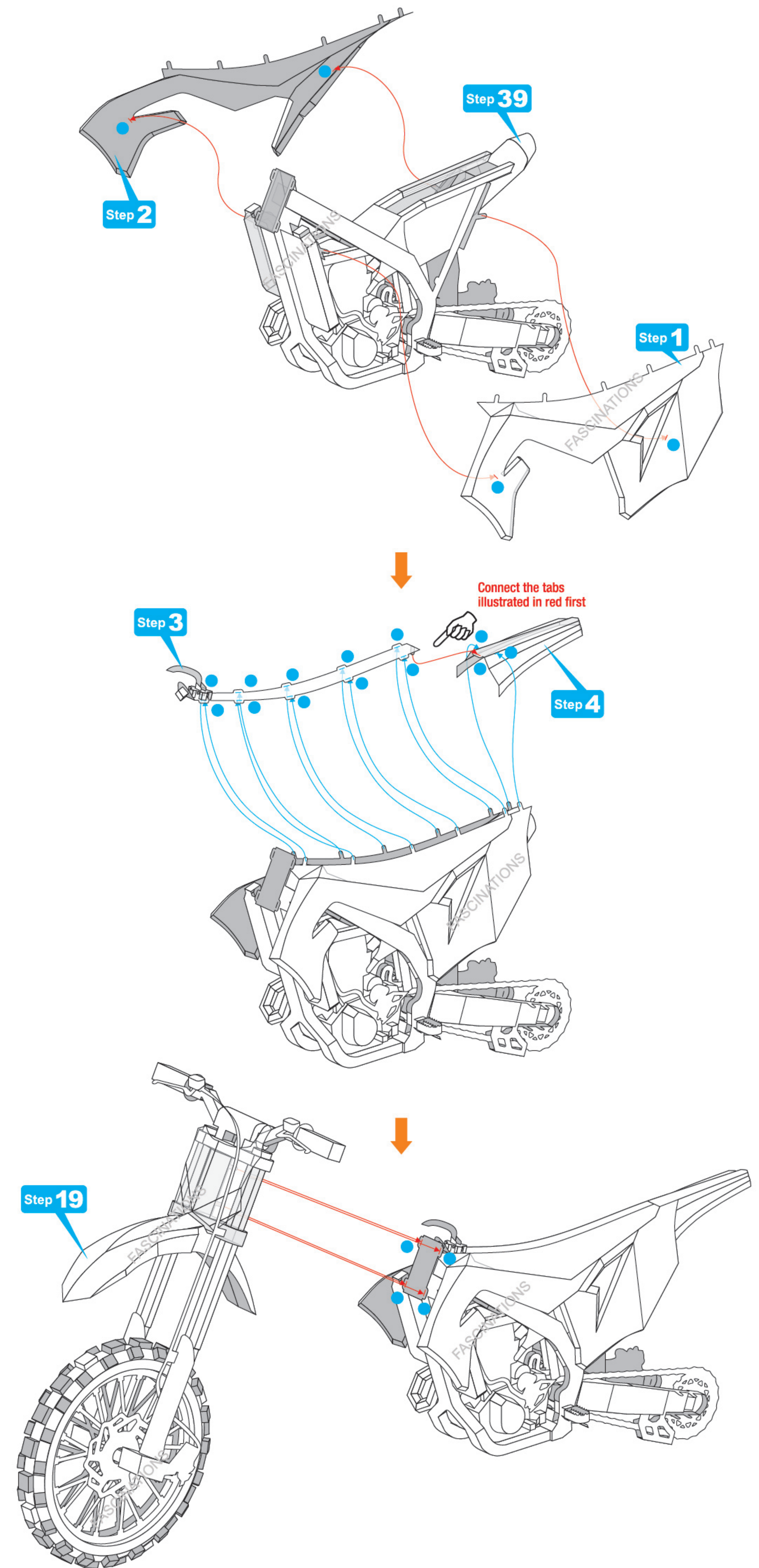
Step 37

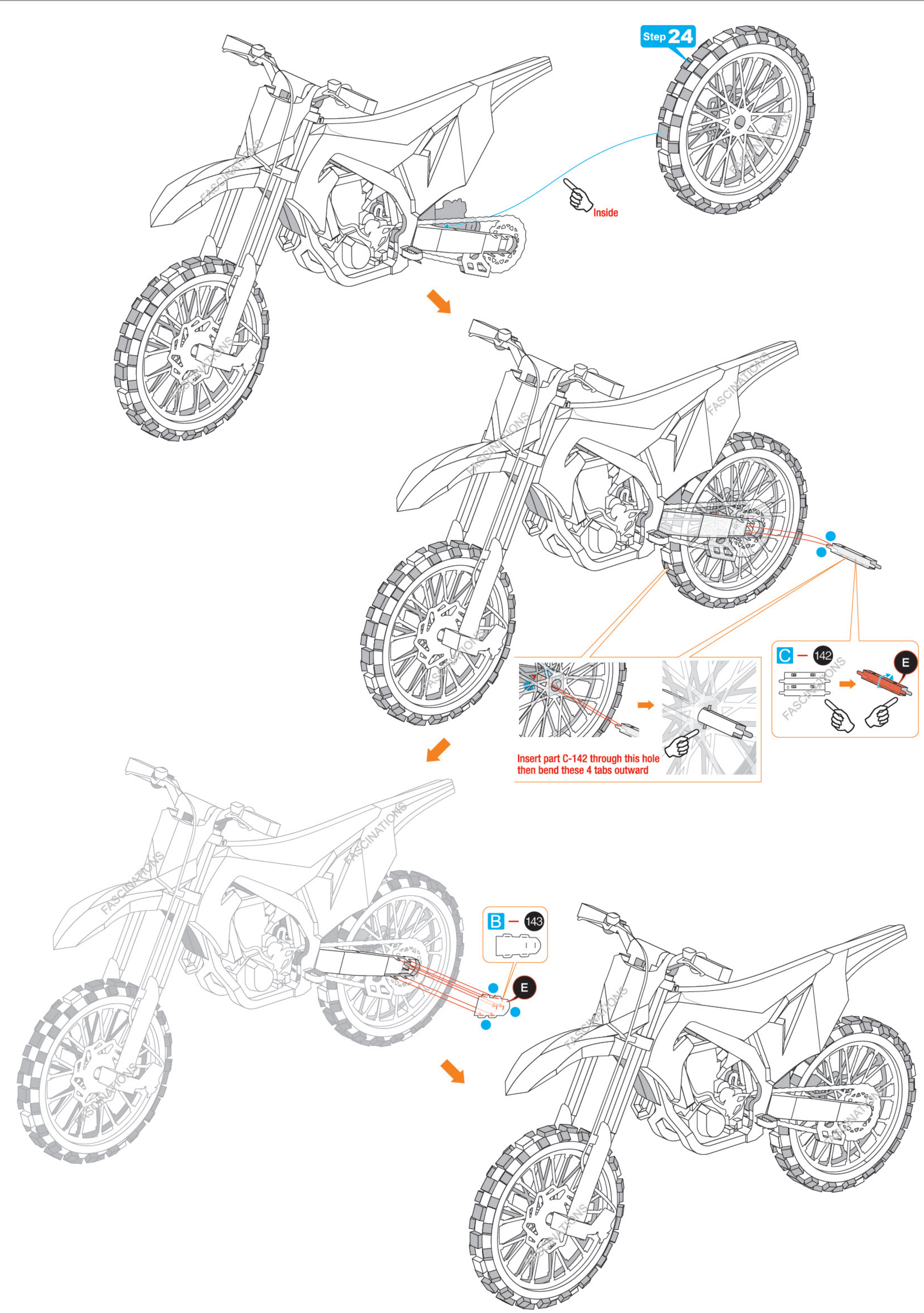


Step 39



Step 40





Step 41

