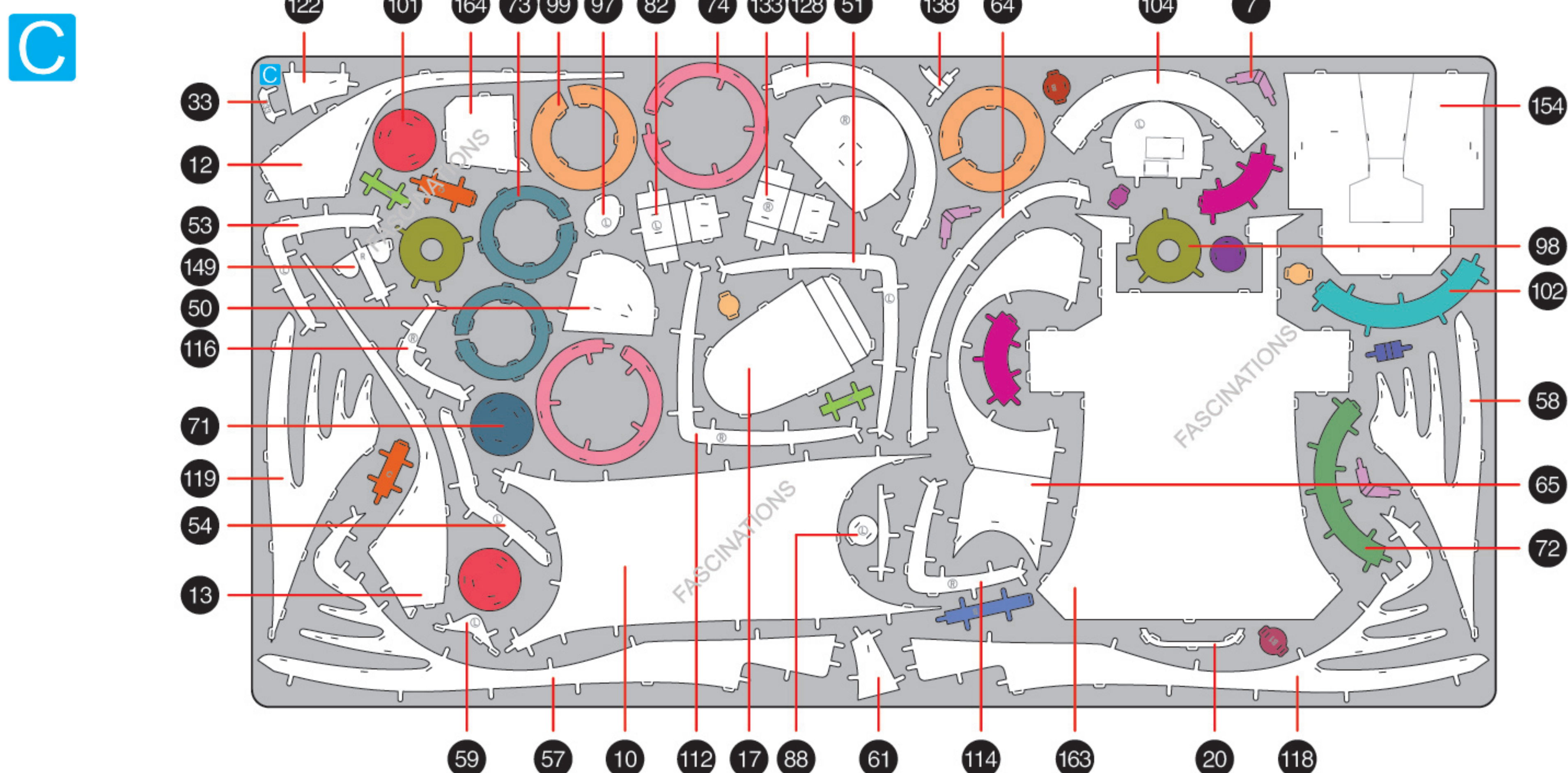
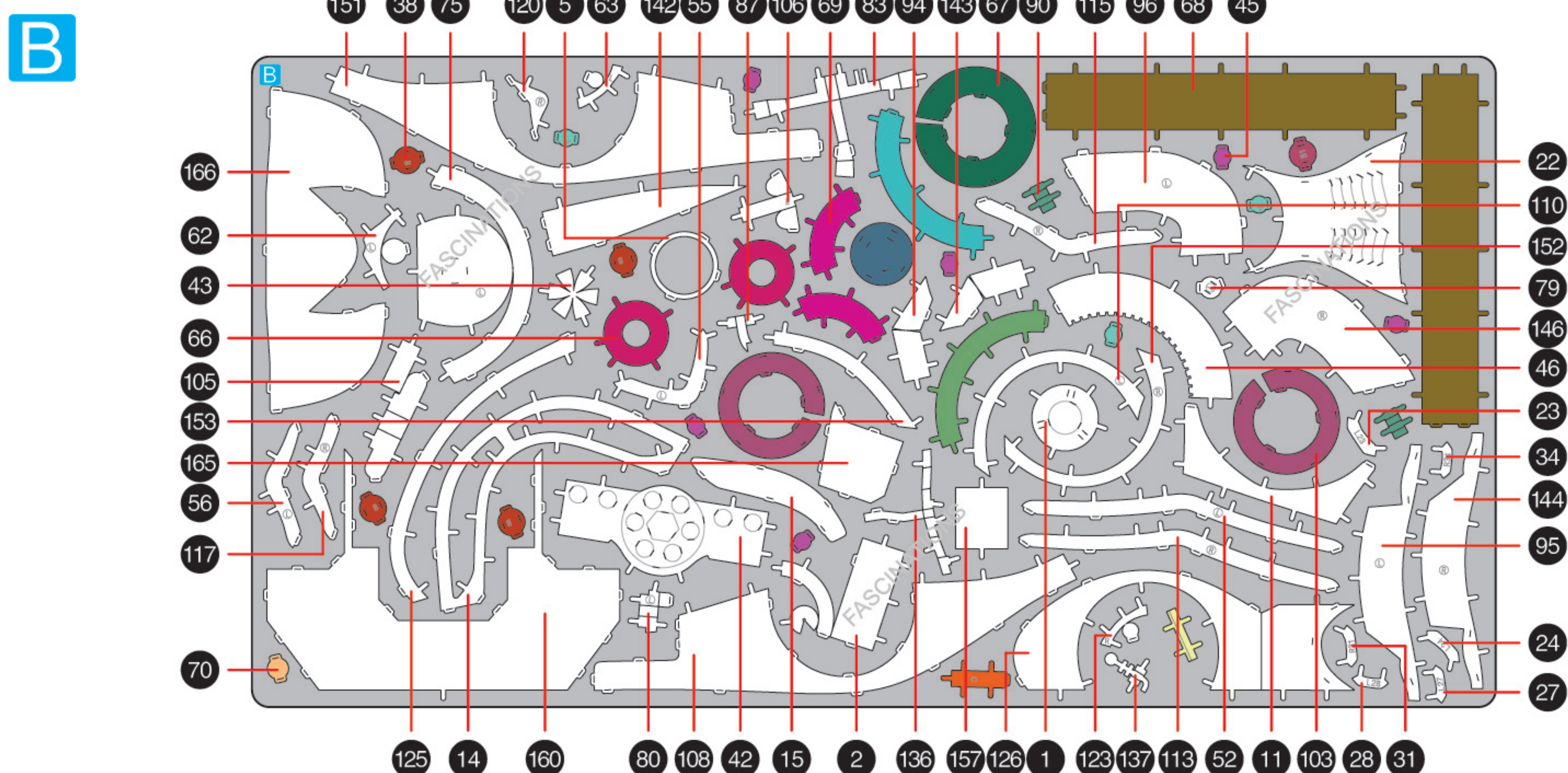
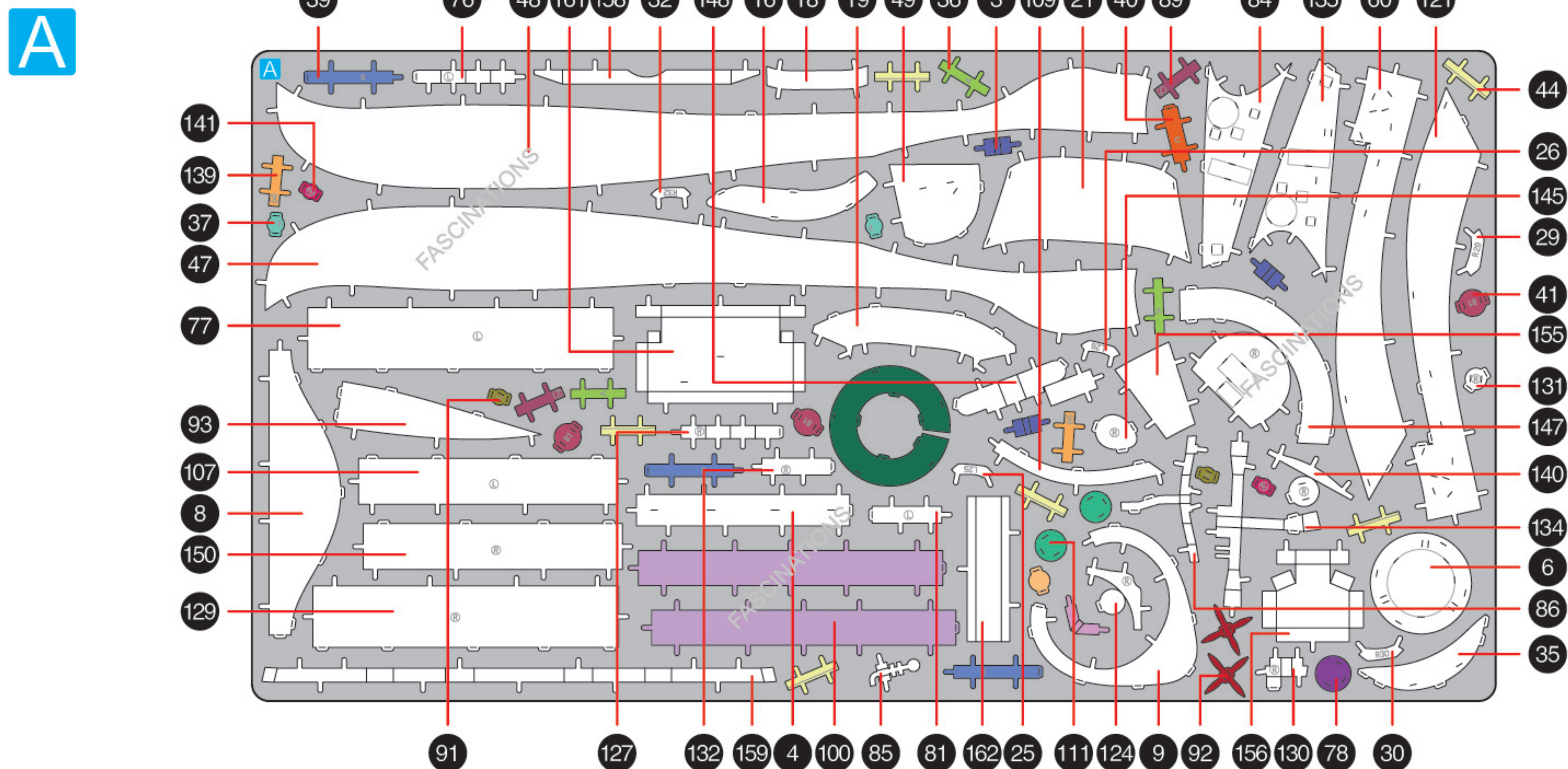


**METAL SHEETS**

Parts with same color are duplicates



**Metal Earth**

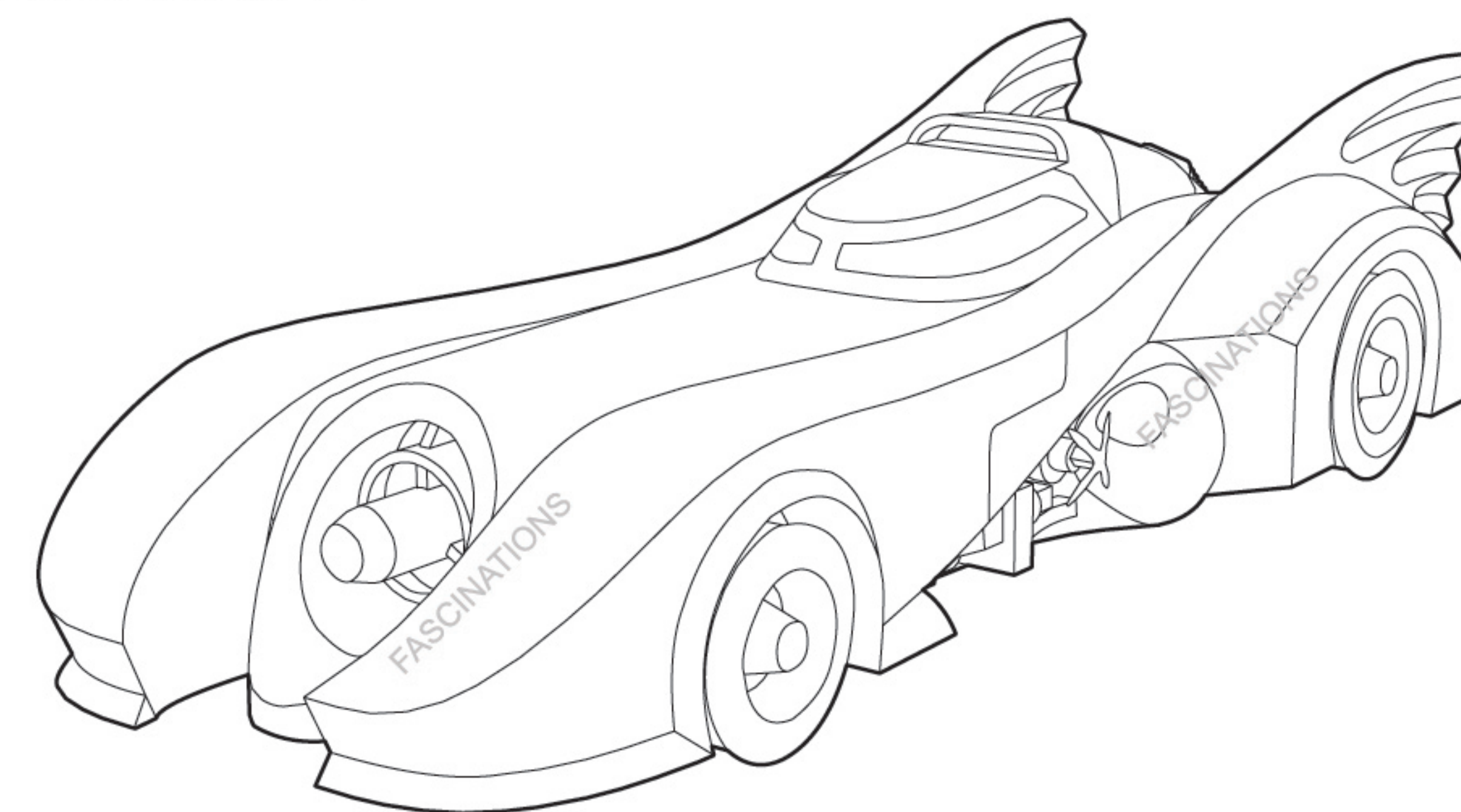
360° view



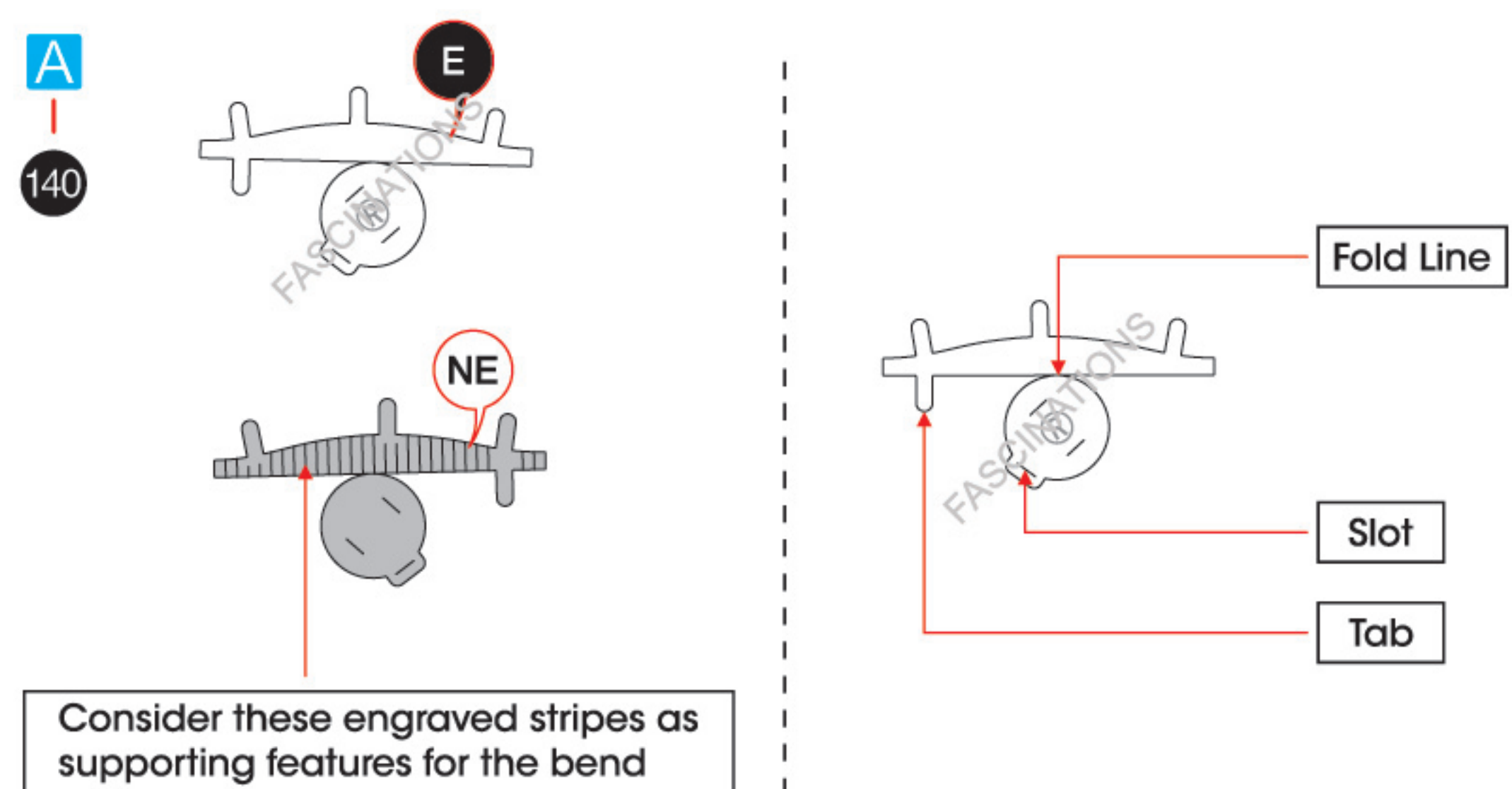
It is highly recommended that you visit [www.metalearth.com/360/PS2014](http://www.metalearth.com/360/PS2014) to see the completed model before assembling your own

Premium Series

**PS2014 BATMOBILE™**



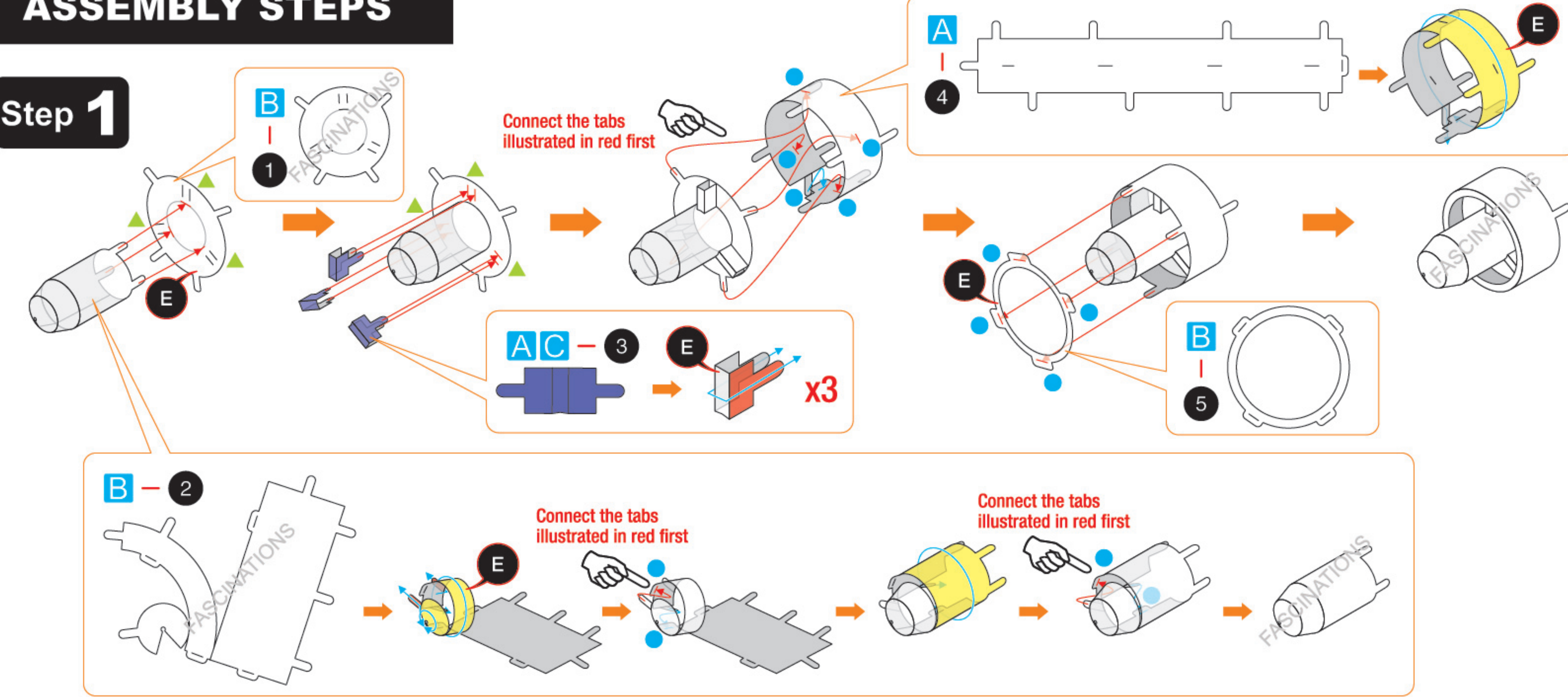
**TO CREATE THE BEST CONNECTIONS**



- Legends:**
- E** Engraved/ Color side
  - NE** Non - engraved/ Silver side
  - Attention point**
  - Insert tab and bend 90 degrees**
  - Insert tab and twist 90 degrees**
- Recommended tools:**
- Wire cutters: helpful for taking parts from the metal sheets.
  - Tweezers or needle nose pliers: helpful for folding parts, bending and twisting tabs.
- Assembly tip:**
- If needed, slightly twist tabs to hold parts together then untwist and bend them down for a nice finish.
- Yellow areas** should be curled
  - Red areas** should be folded

**ASSEMBLY STEPS**

**Step 1**



**Step 1**  
Connect the tabs illustrated in red first

**Step 2**

Connect the tabs illustrated in red first

Diagram details: Part A-6 (6), Part A-7 (7) x3, Part A-8 (8), Part A-9 (9), Part C-10 (10), Part B-11 (11), Part C-12 (12), Part C-13 (13), Part A-14 (14), Part B-15 (15), Part A-16 (16), Part C-17 (17), Part A-18 (18), Part A-19 (19), Part E (E), Part NE (NE).

**Step 3**

Connect the tabs illustrated in red first

**Step 4**

Repeat this assembly step for Part A-24, A-25, A-26, B-27 and B-28

Repeat this assembly step for Part A-30, B-31, A-32, C-33 and B-34

Diagram details: Part B-22 (22), Part B-23 (23) L23, Part A-24 (24) L24, Part A-25 (25) L25, Part A-26 (26) L26, Part B-27 (27) L27, Part B-28 (28) L28, Part A-29 (29) R29, Part A-30 (30) R30, Part B-31 (31) R31, Part A-32 (32) R32, Part C-33 (33) R33, Part B-34 (34) R34, Part A-35 (35), Part E (E), Part NE (NE).

**Step 5**

Diagram details: Part AC-36 (36), Part AC-39 (39), Part AB-37 (37), Part BC-38 (38), Part ABC-40 (40), Part ABC-41 (41) x4, Part E (E), Part NE (NE).

**Step 6**

Diagram details: Part B-42 (42), Part B-43 (43), Part ABC-44 (44), Part BC-45 (45) x6, Part E (E), Part NE (NE).

**Step 1**

**Step 2**

Rotate

Diagram details: Part C-20 (20), Part A-21 (21), Part E (E).

**Step 3**

Connect the tabs illustrated in red first

Rotate

**Step 4**

Diagram details: Part A-35 (35), Part E (E), Part NE (NE).

**Step 5**

Diagram details: Part AC-36 (36), Part AC-39 (39), Part AB-37 (37), Part BC-38 (38), Part ABC-40 (40), Part ABC-41 (41) x4, Part E (E), Part NE (NE).

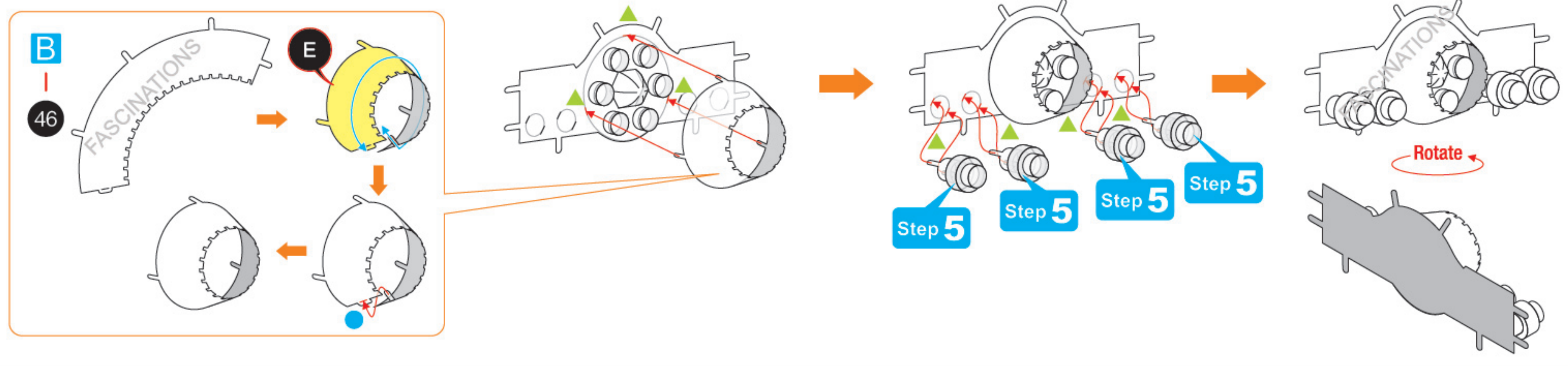
**Step 6**

Diagram details: Part B-42 (42), Part B-43 (43), Part ABC-44 (44), Part BC-45 (45) x6, Part E (E), Part NE (NE).

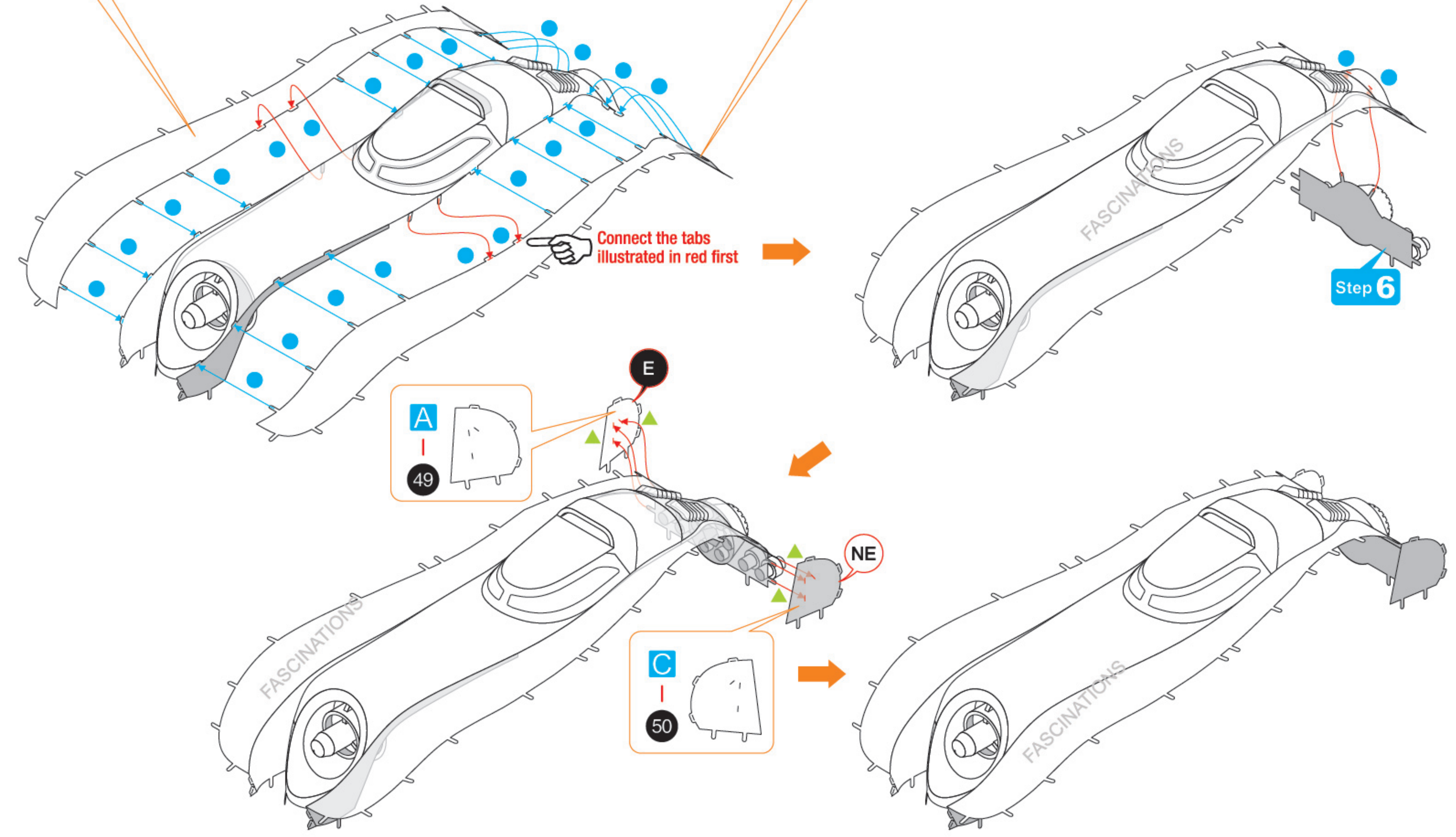
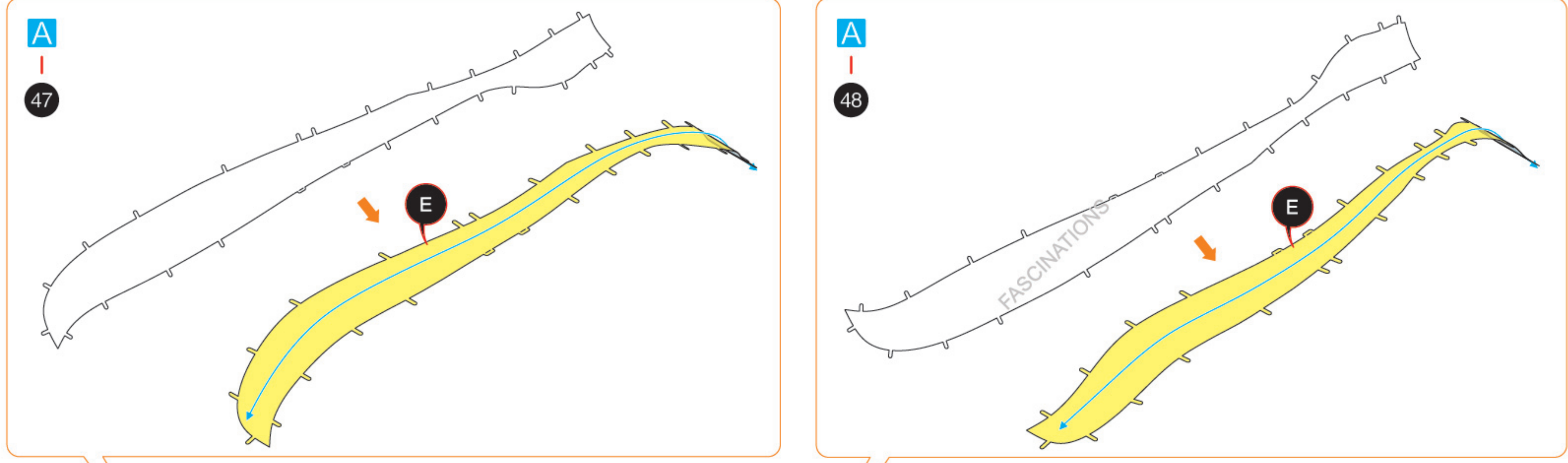
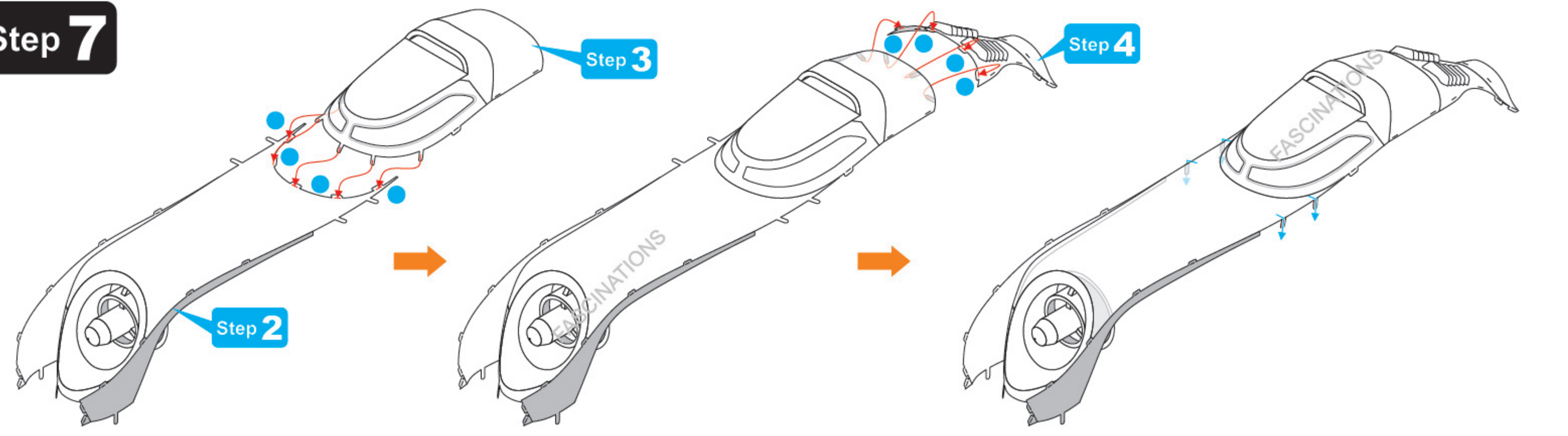
**Step 7**

**Step 8**

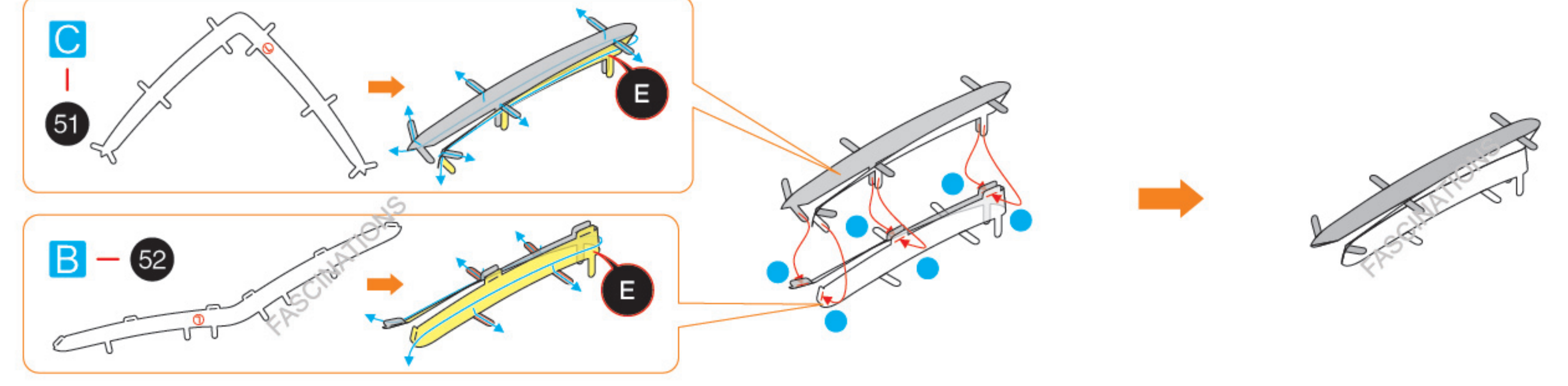
Diagram details: Part B-42 (42), Part B-43 (43), Part ABC-44 (44), Part BC-45 (45) x6, Part E (E), Part NE (NE).



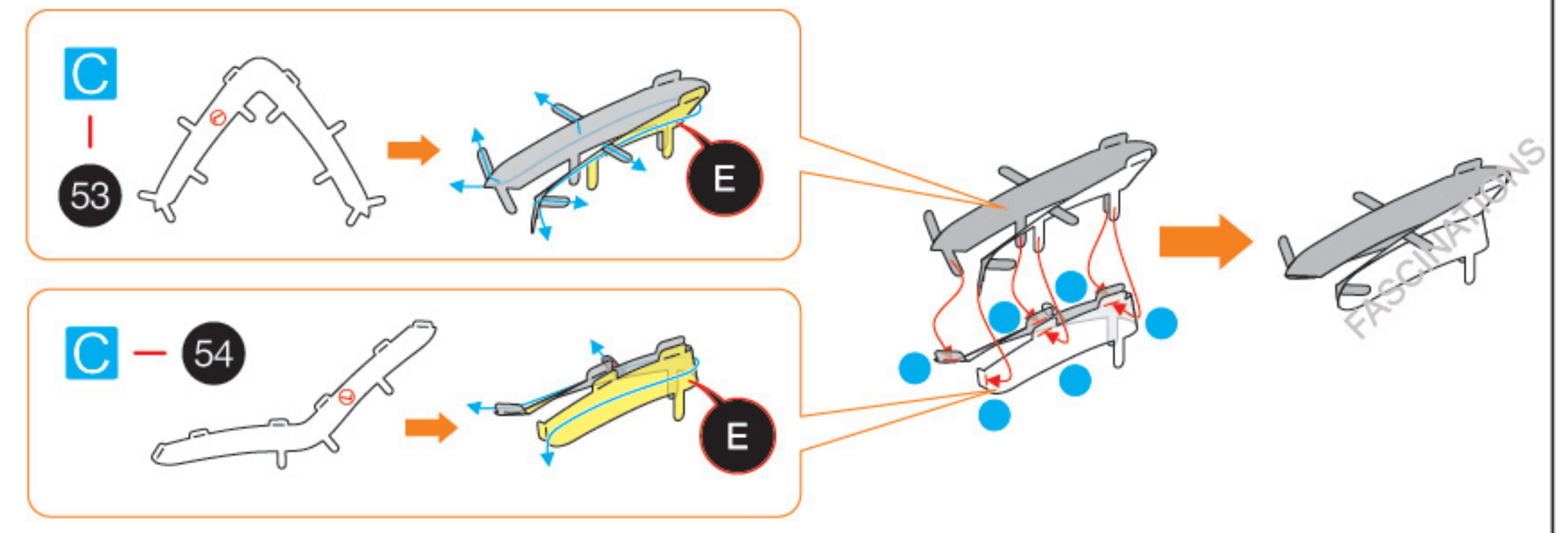
Step 7



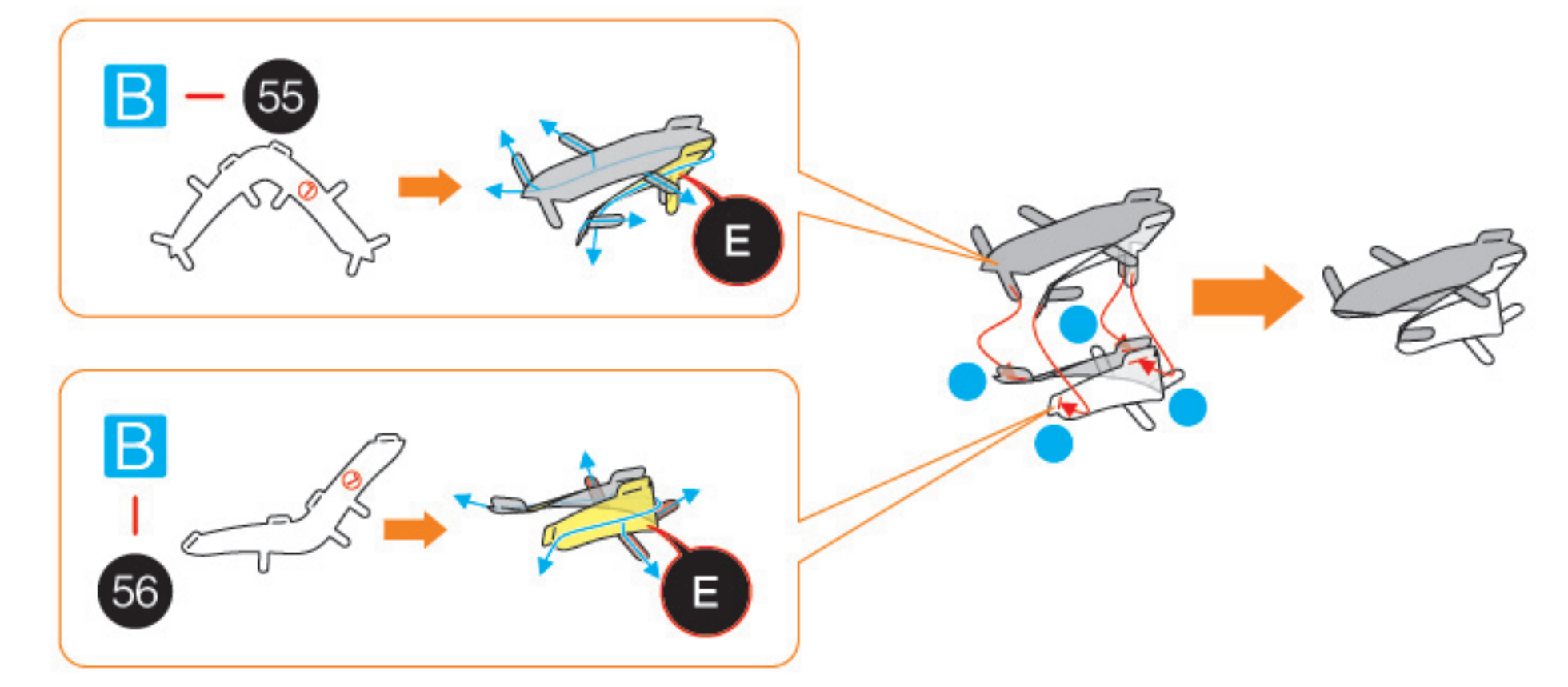
Step 8



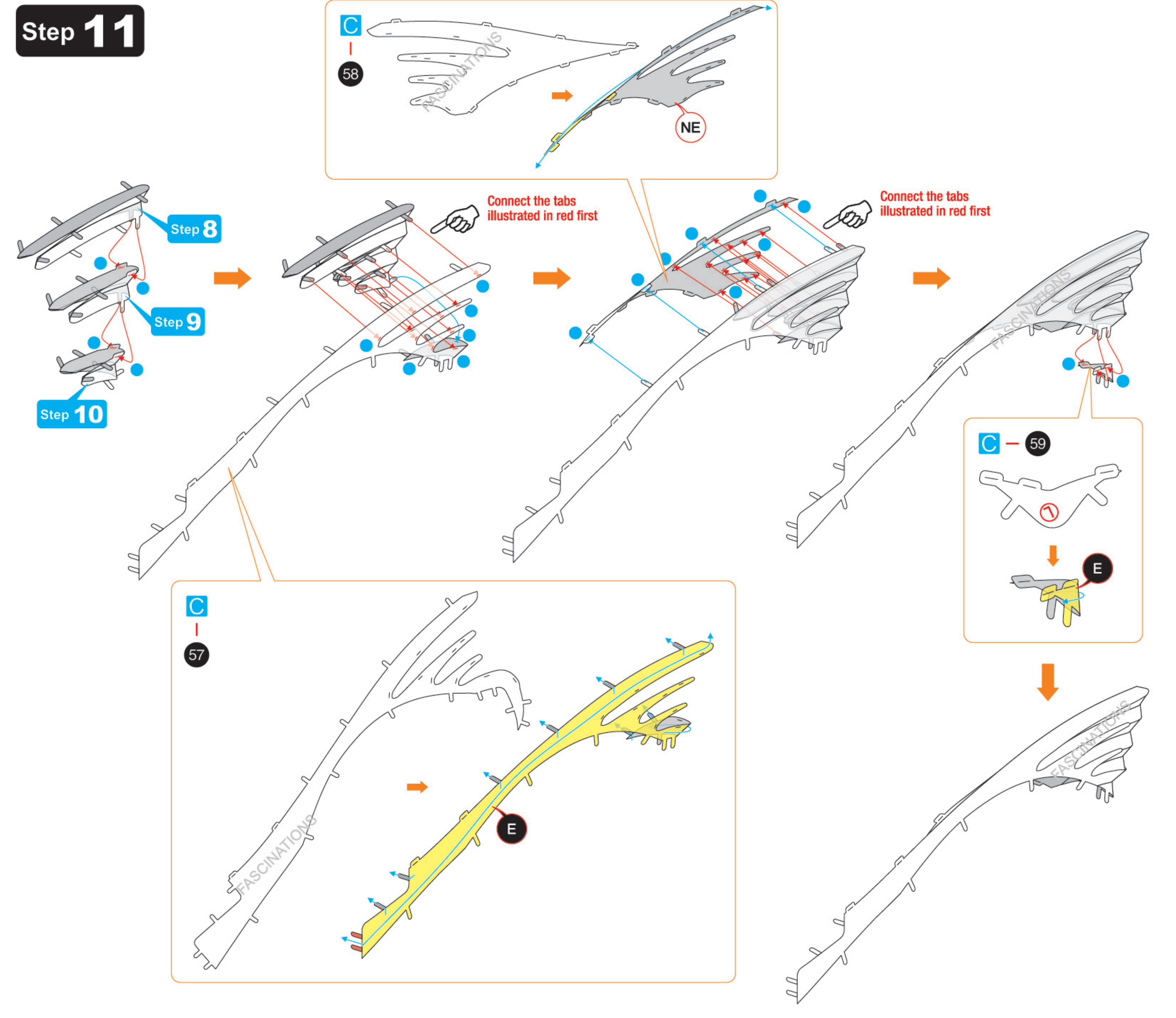
Step 9



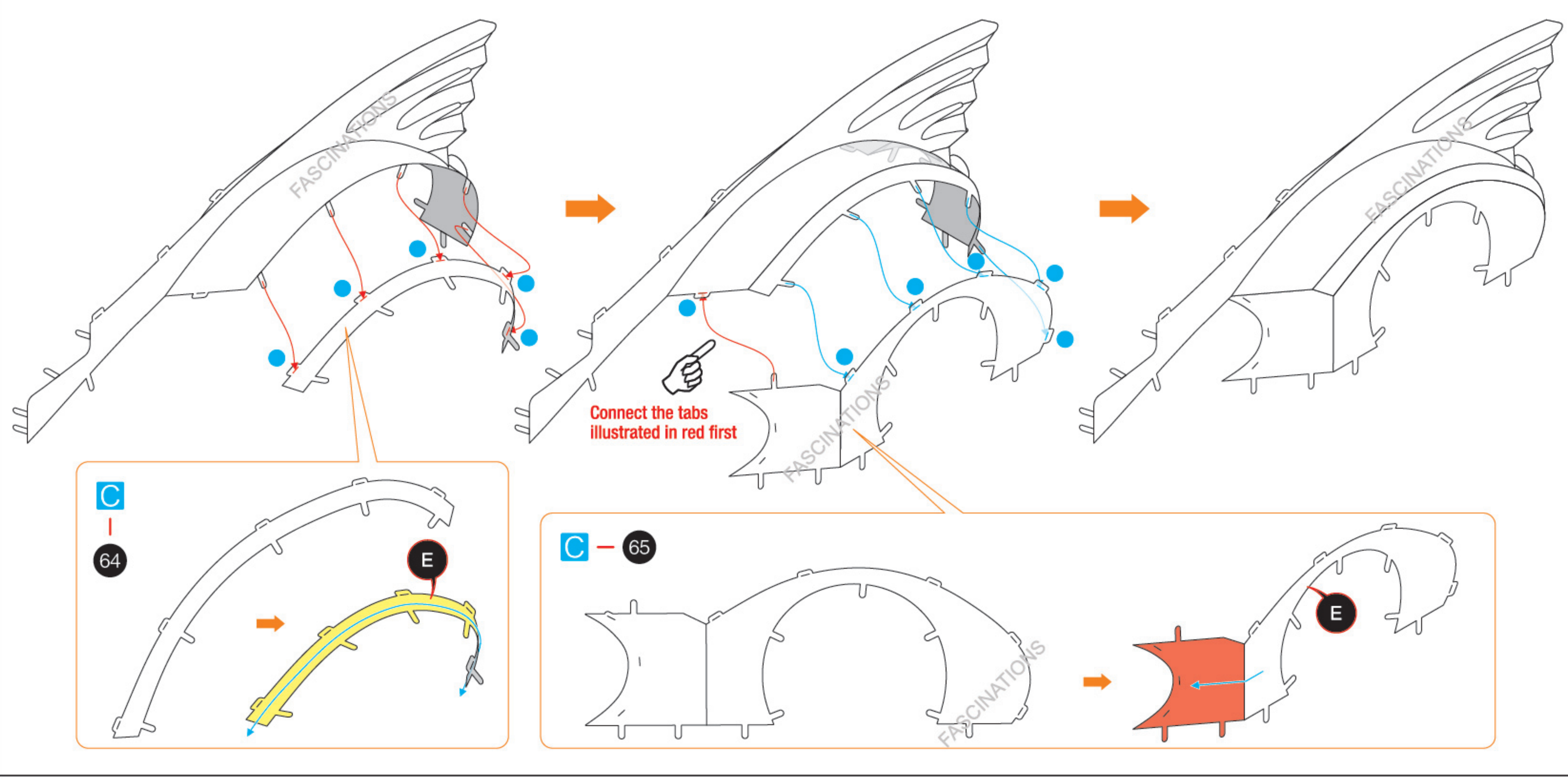
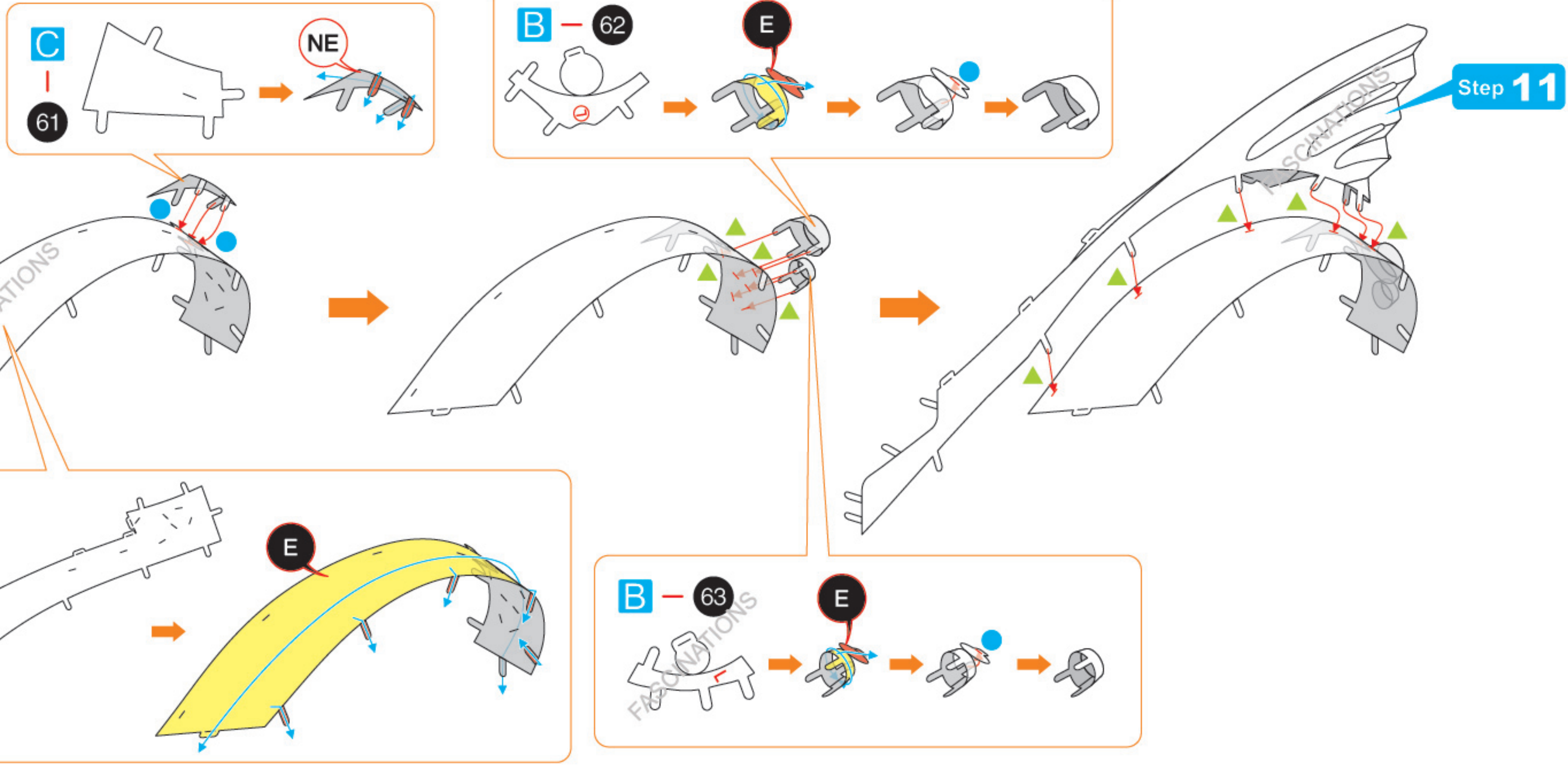
Step 10



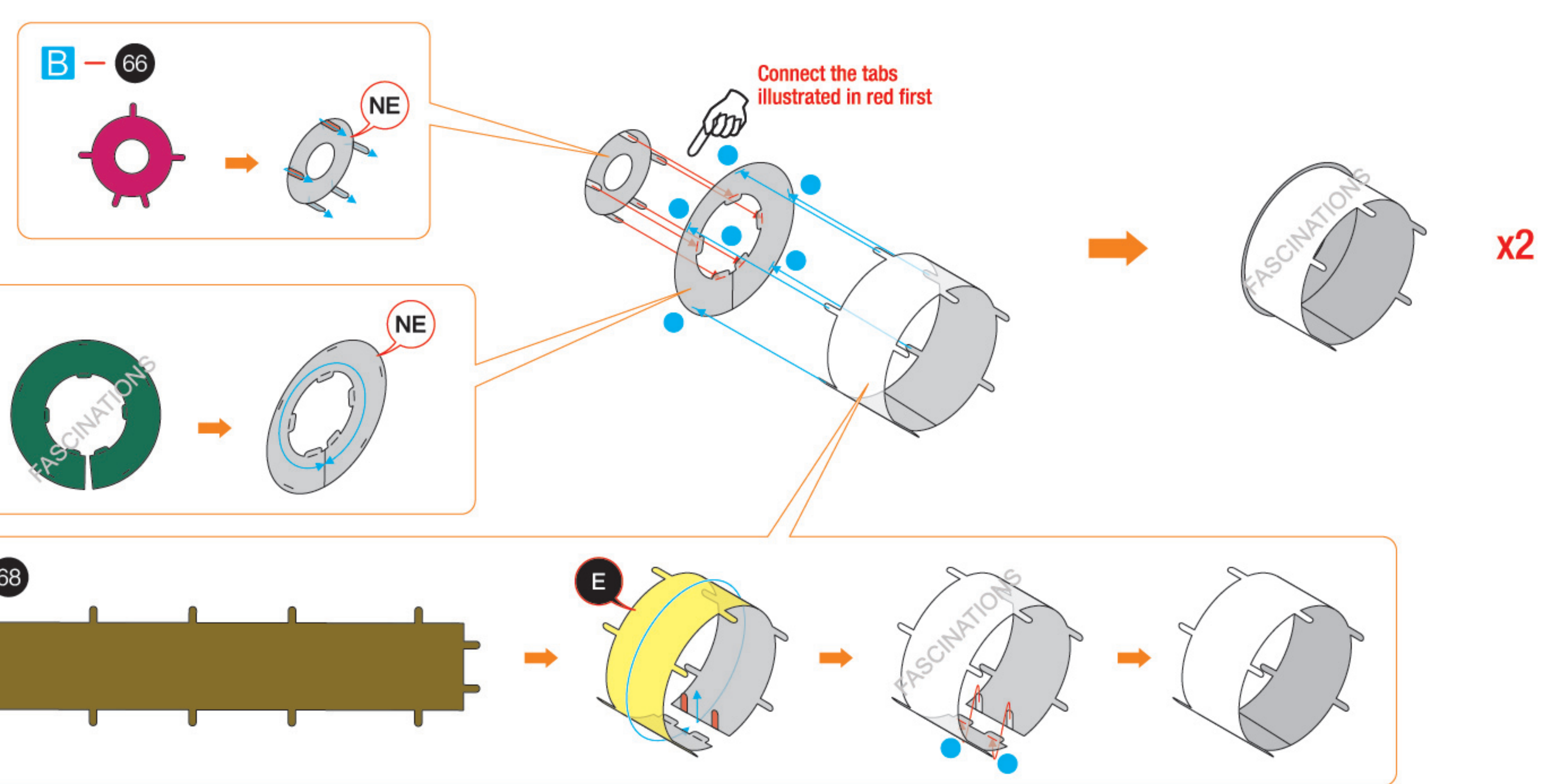
Step 11



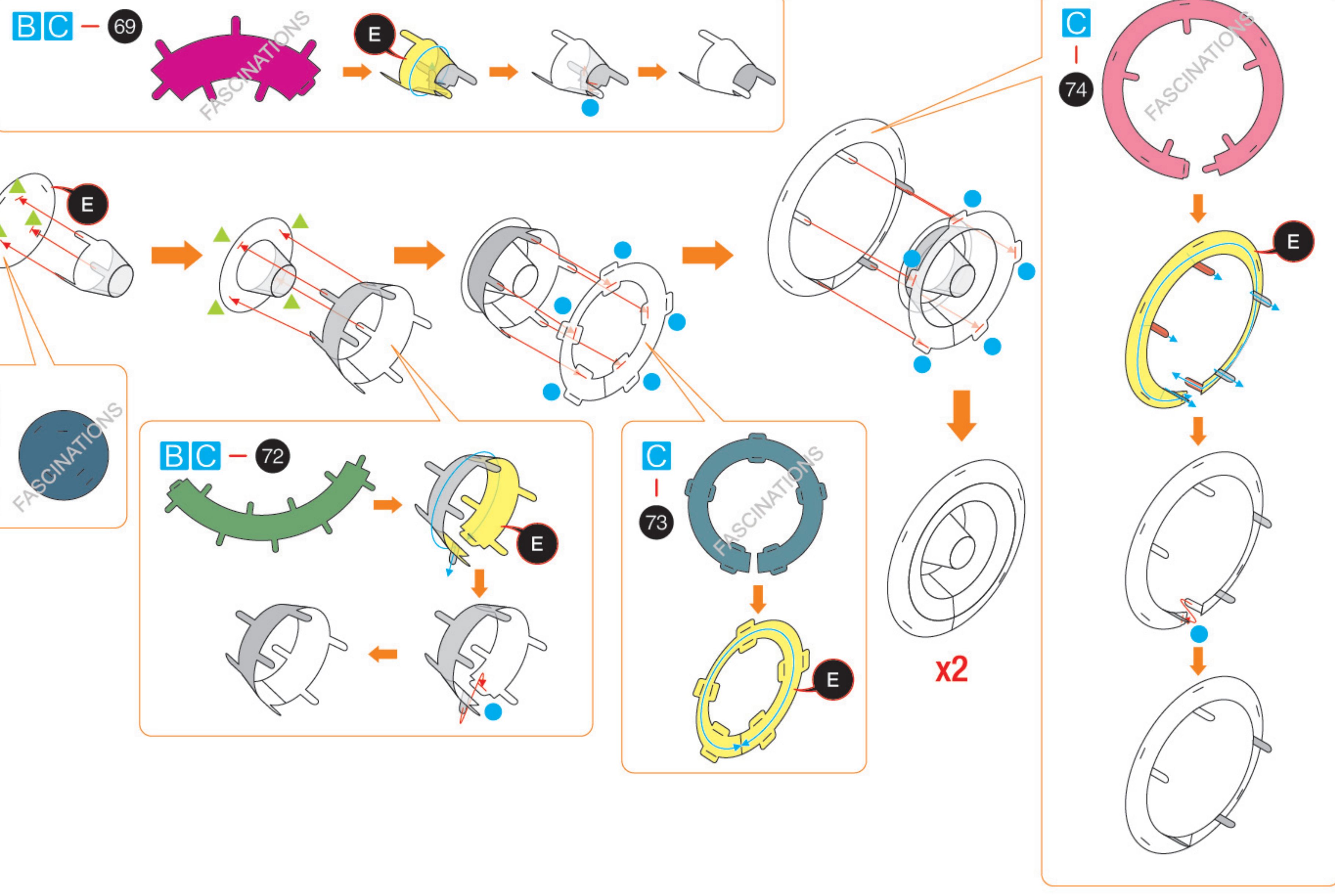
Step 12



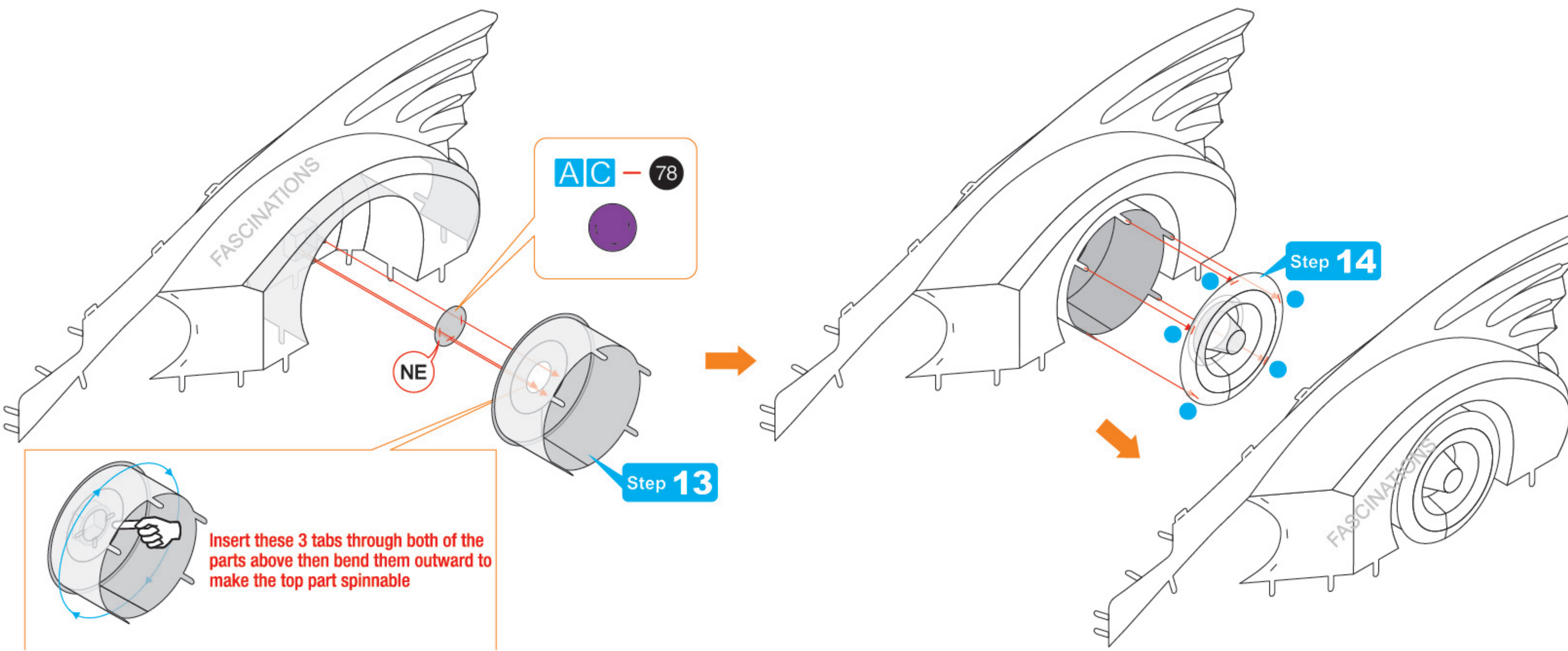
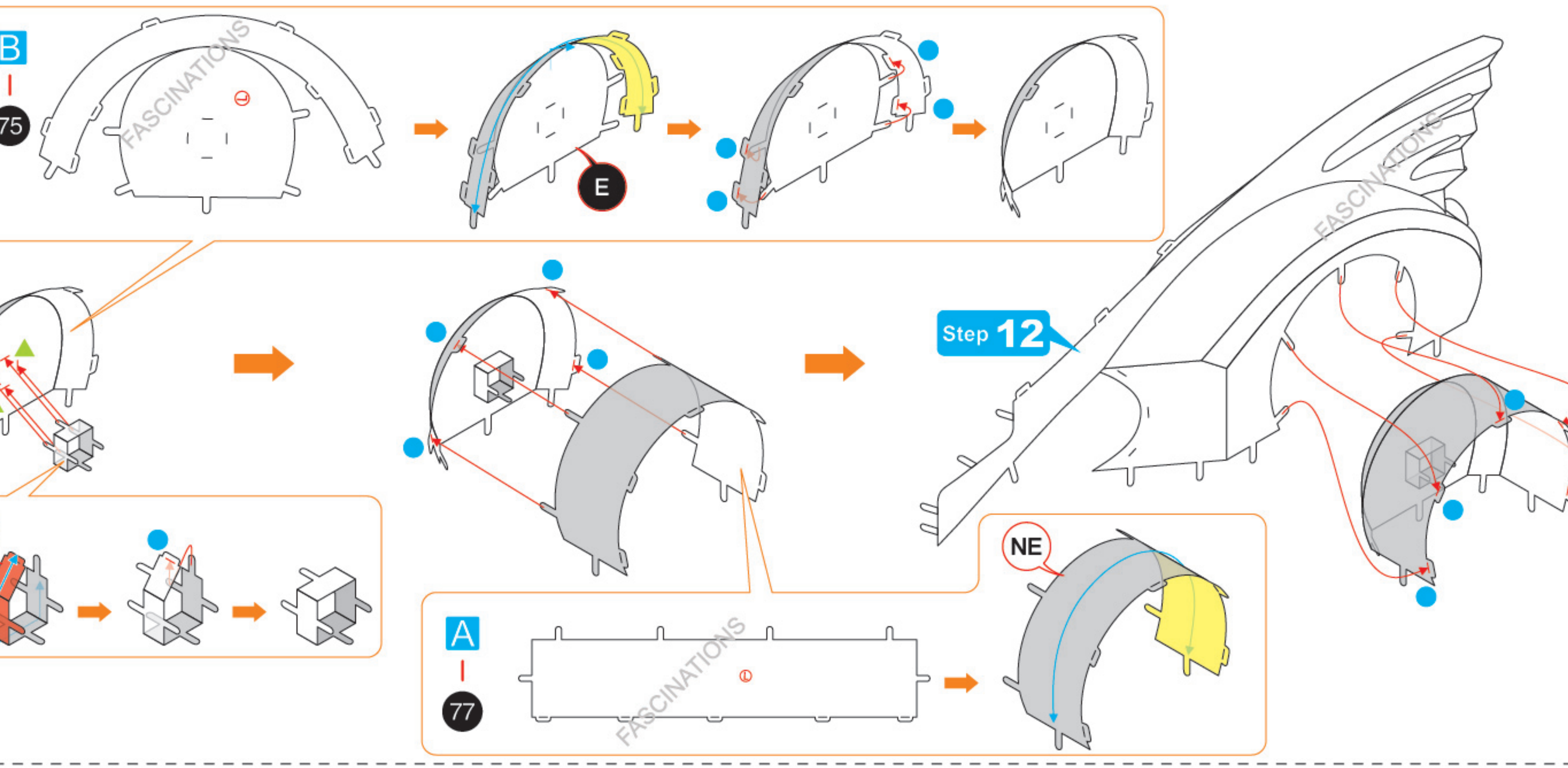
Step 13



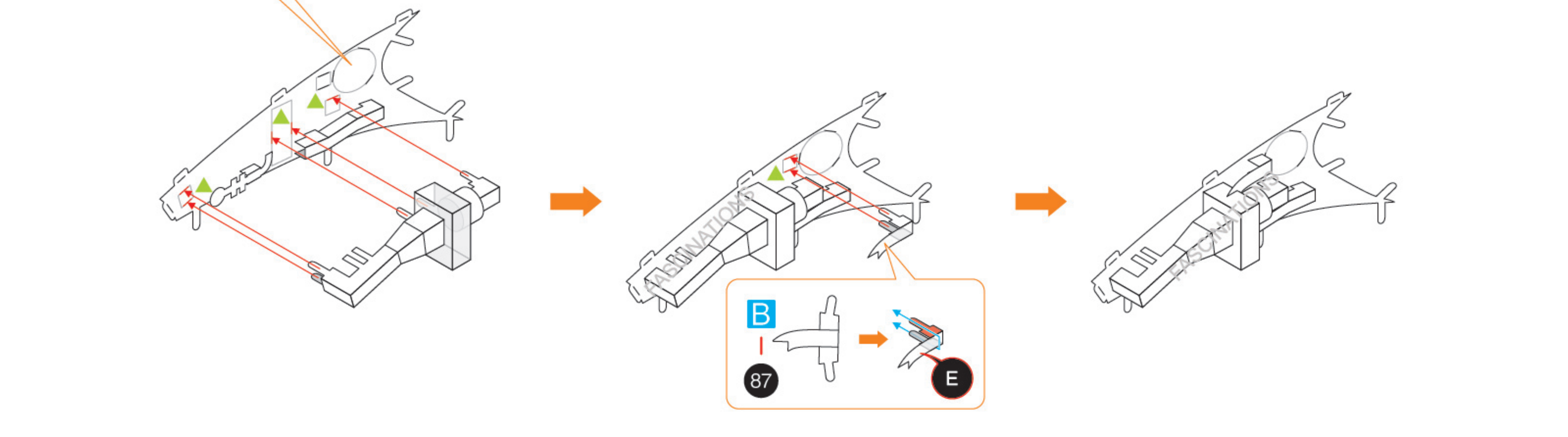
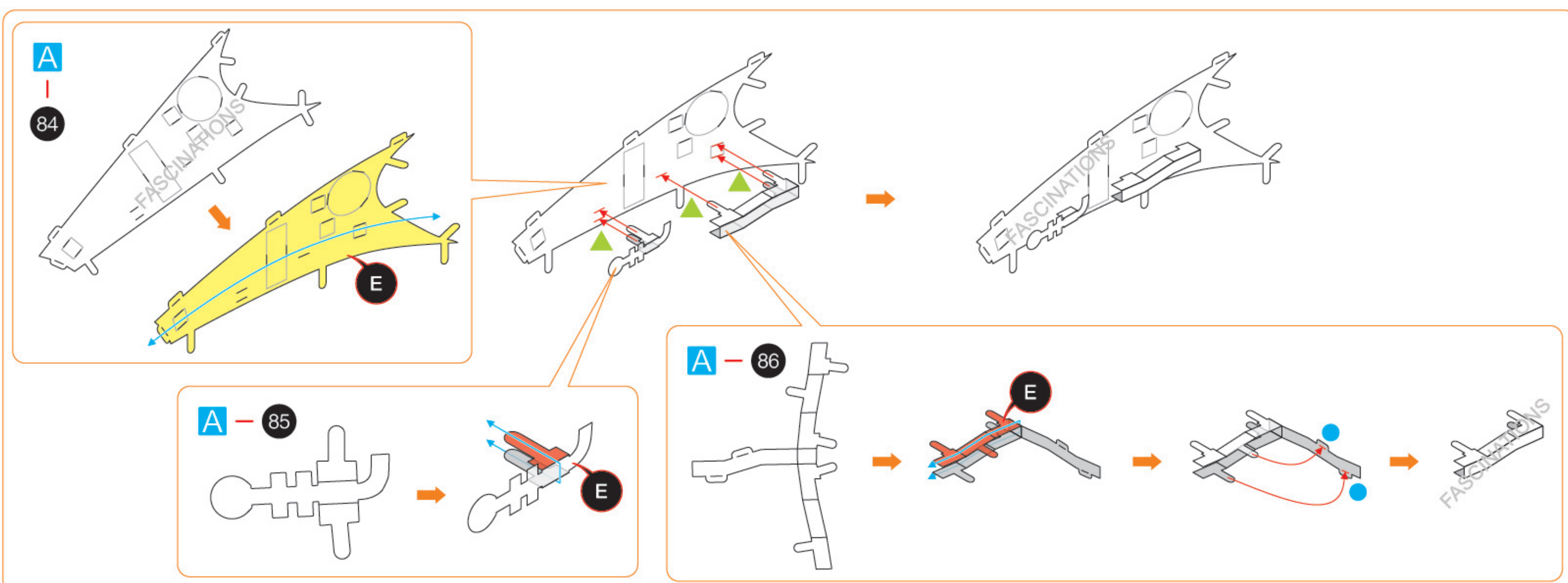
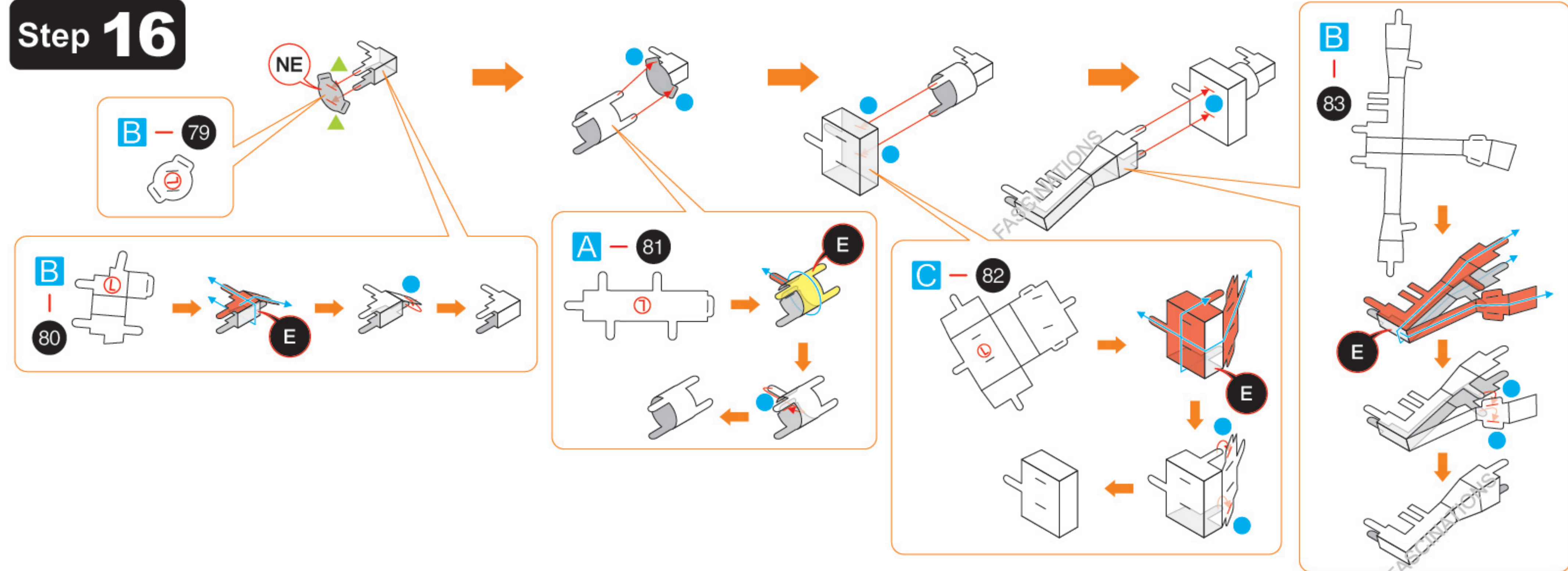
Step 14



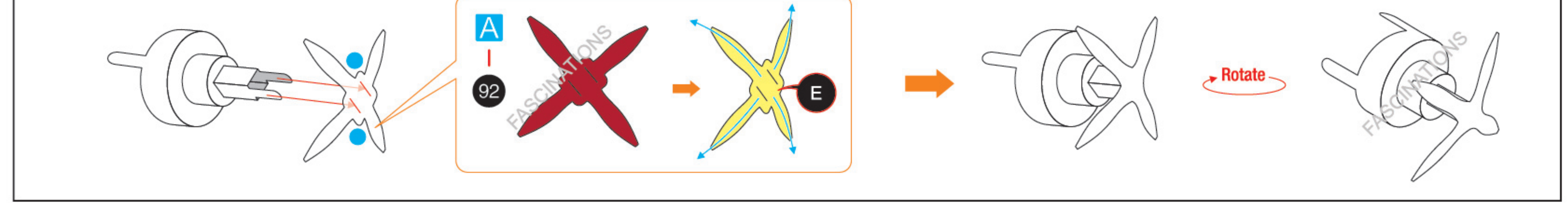
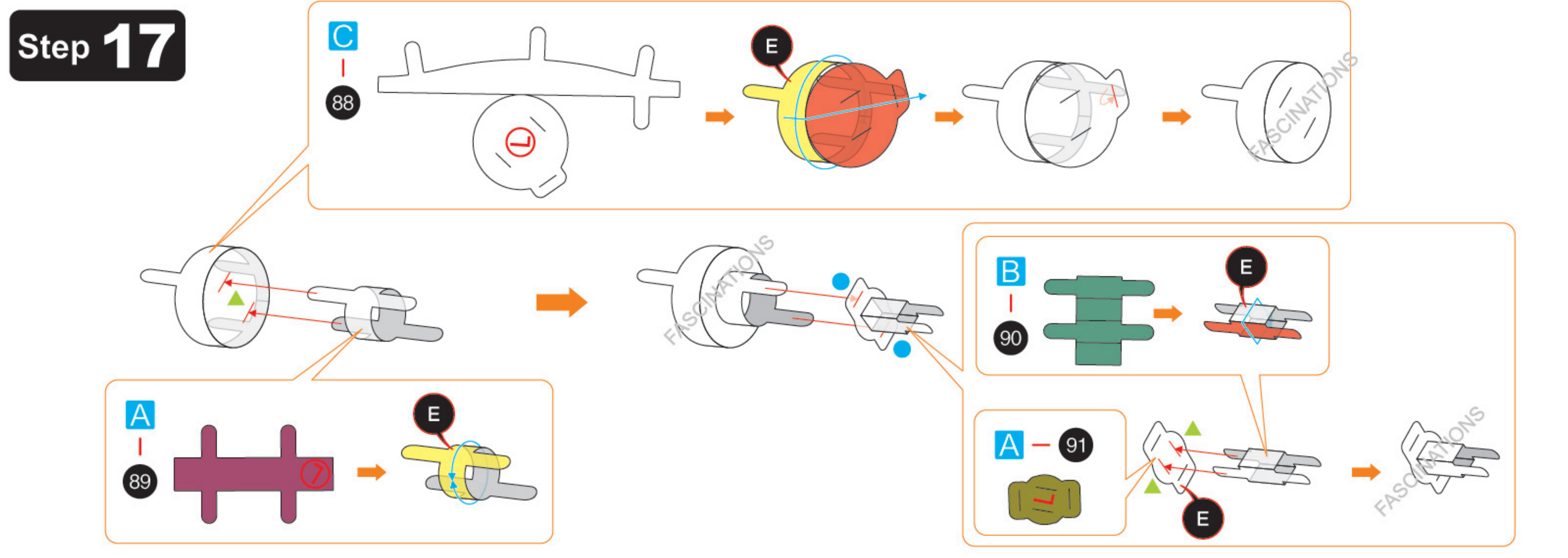
Step 15



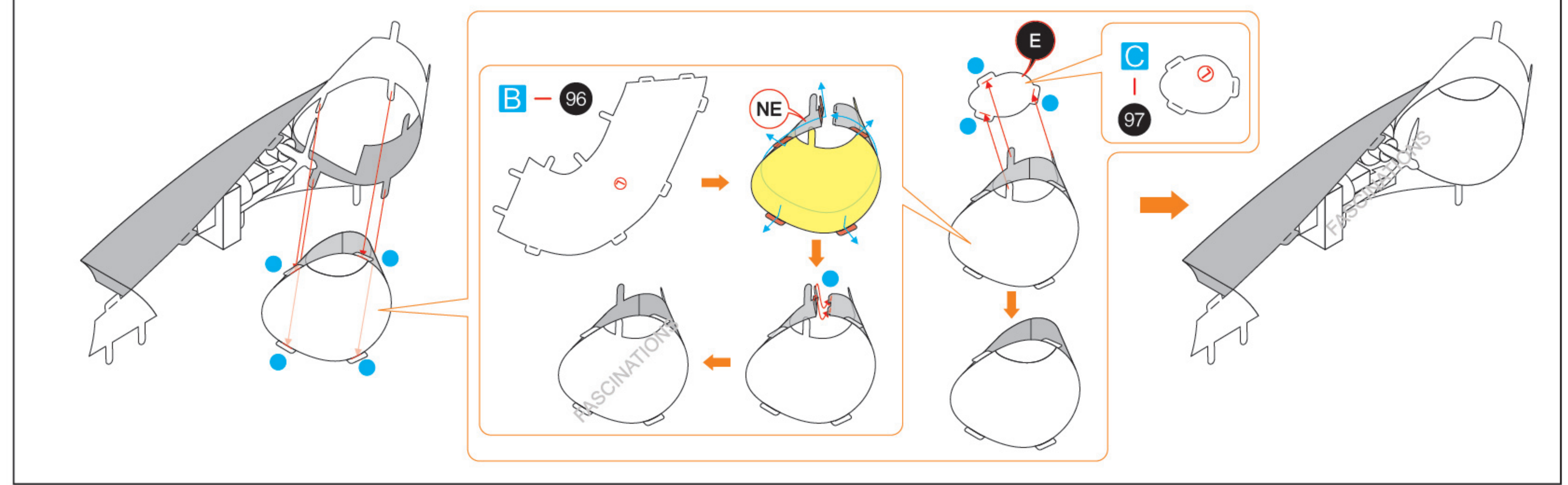
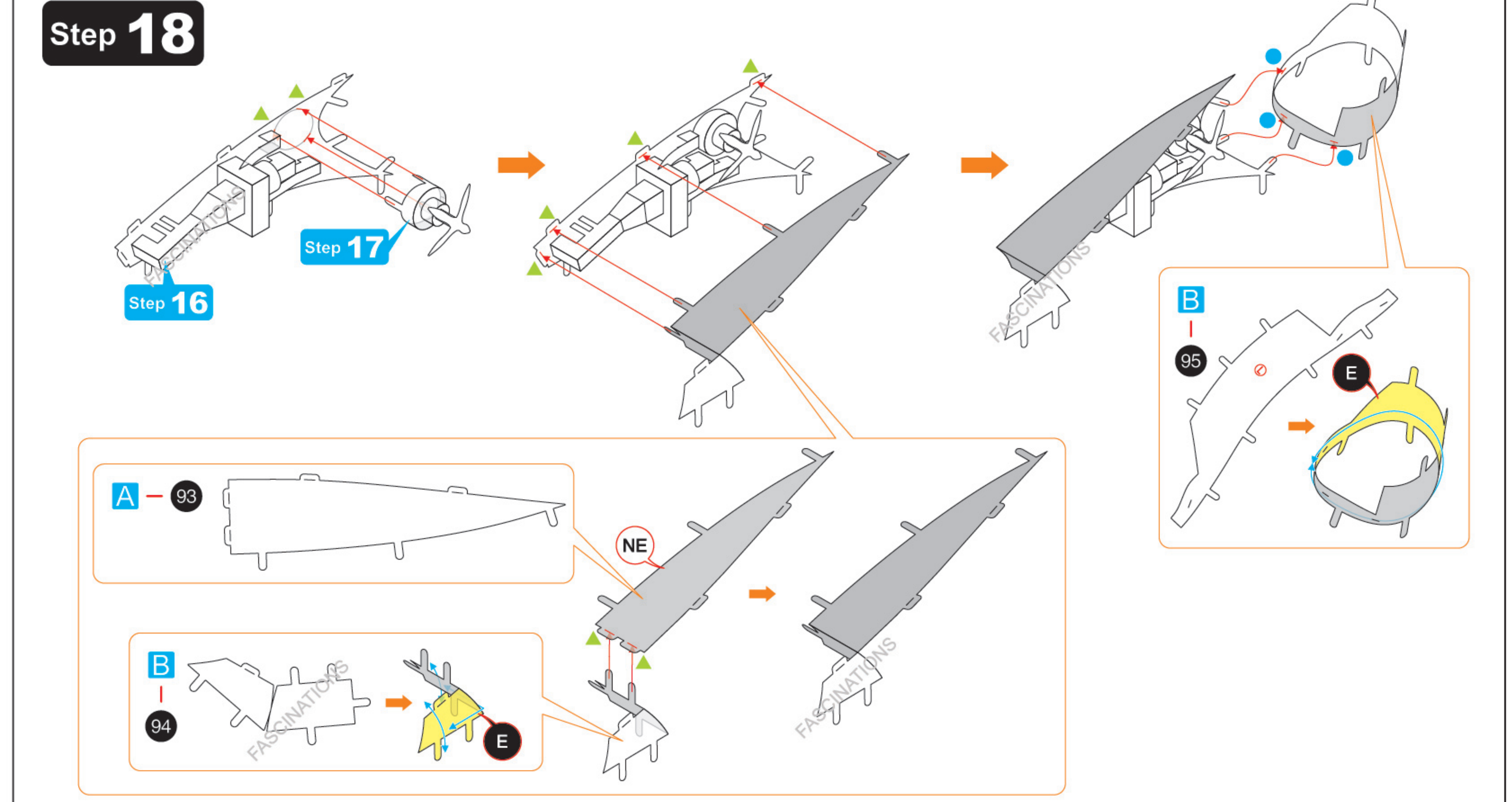
Step 16



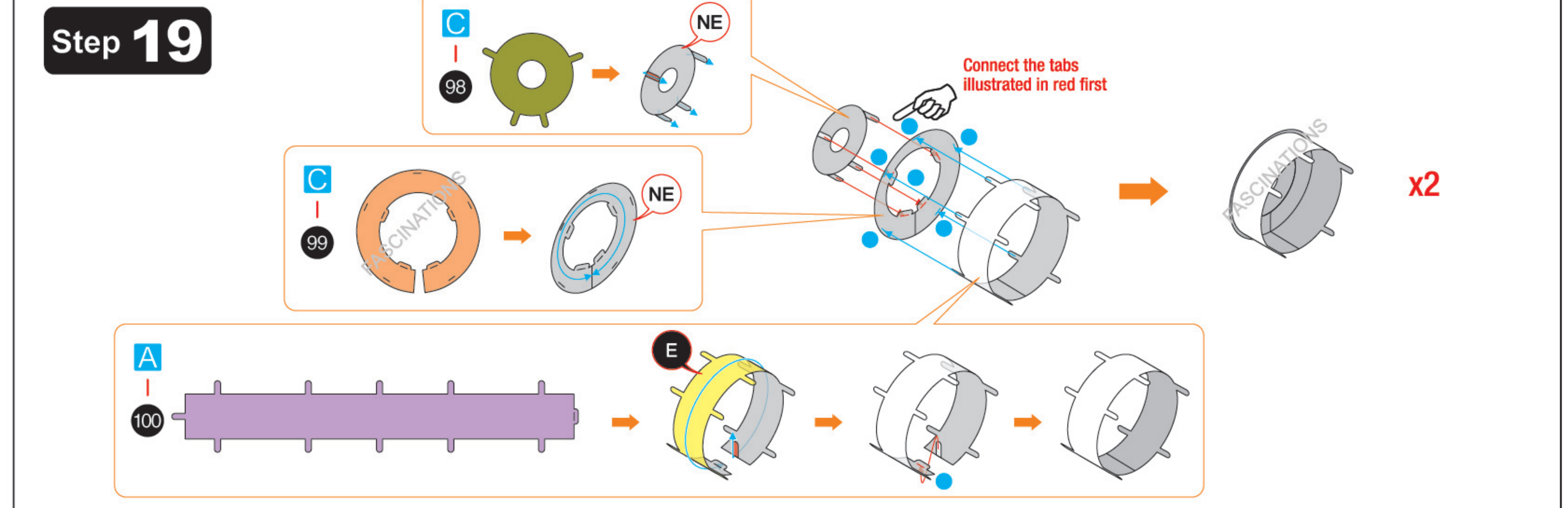
Step 17



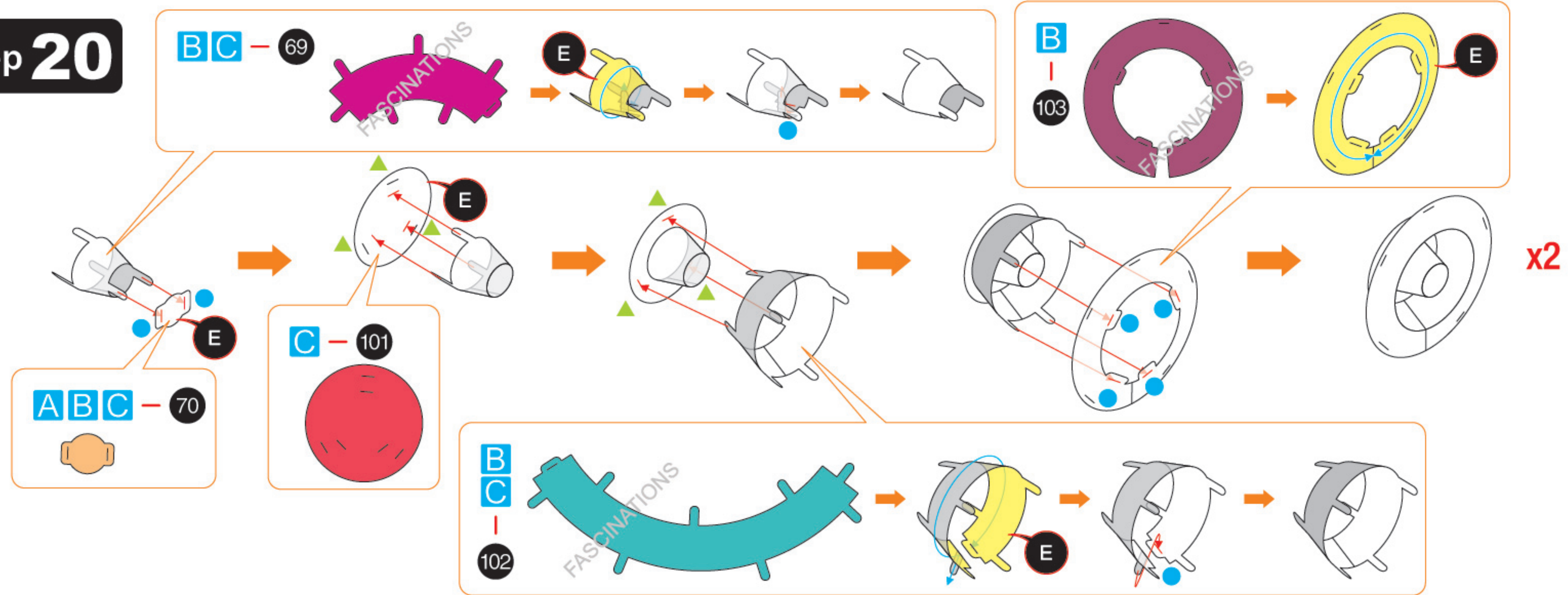
Step 18



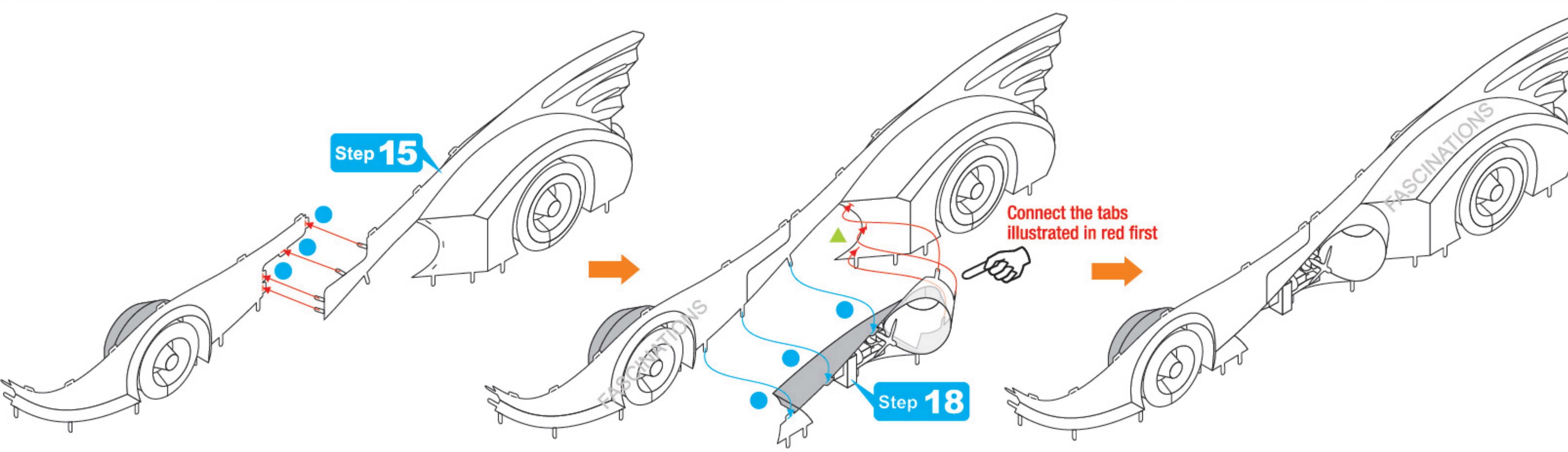
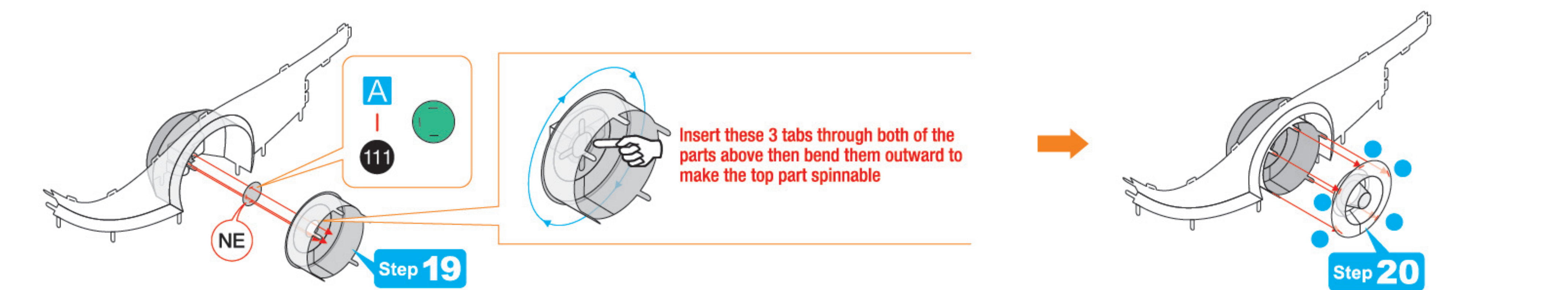
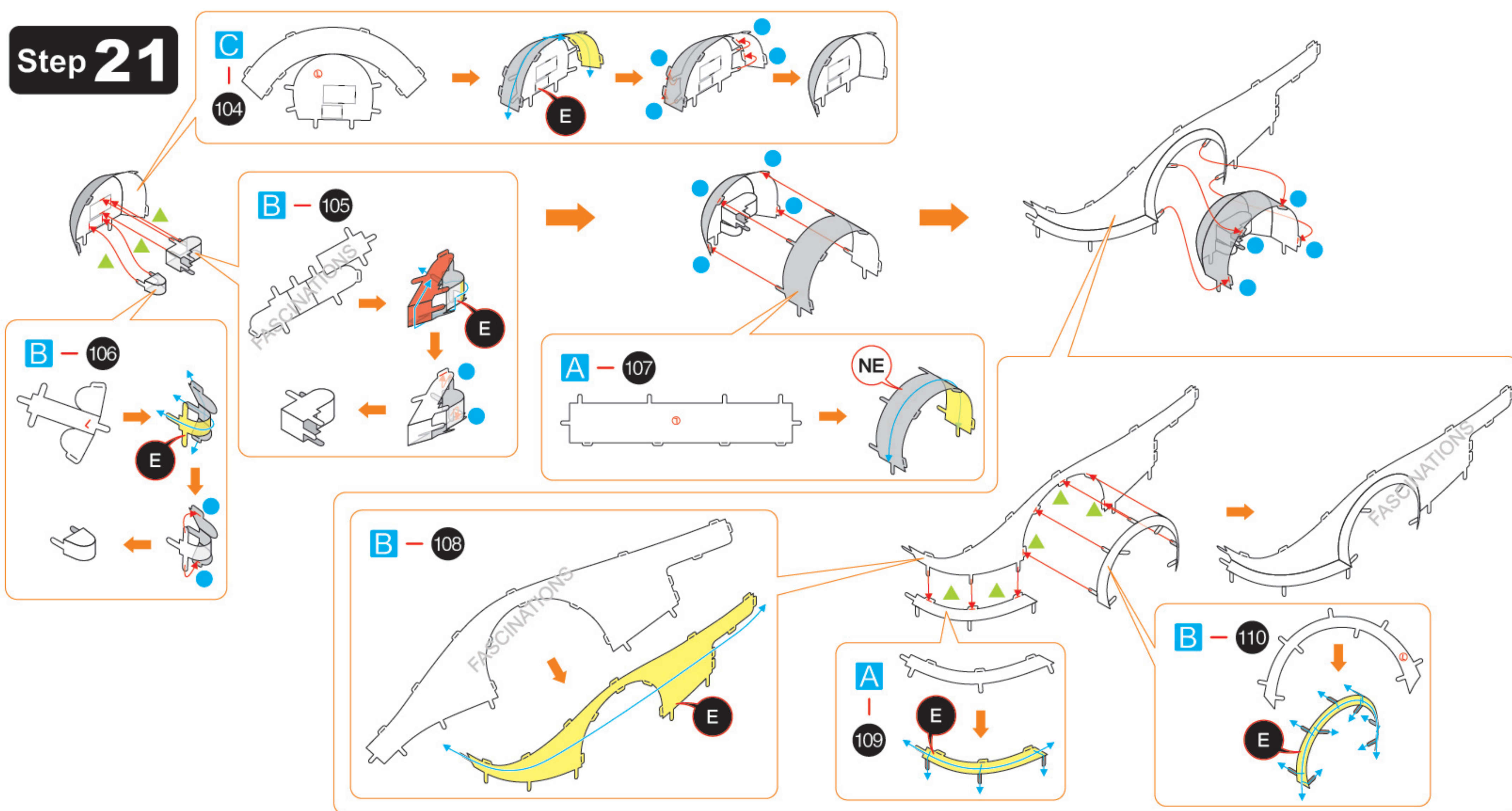
Step 19



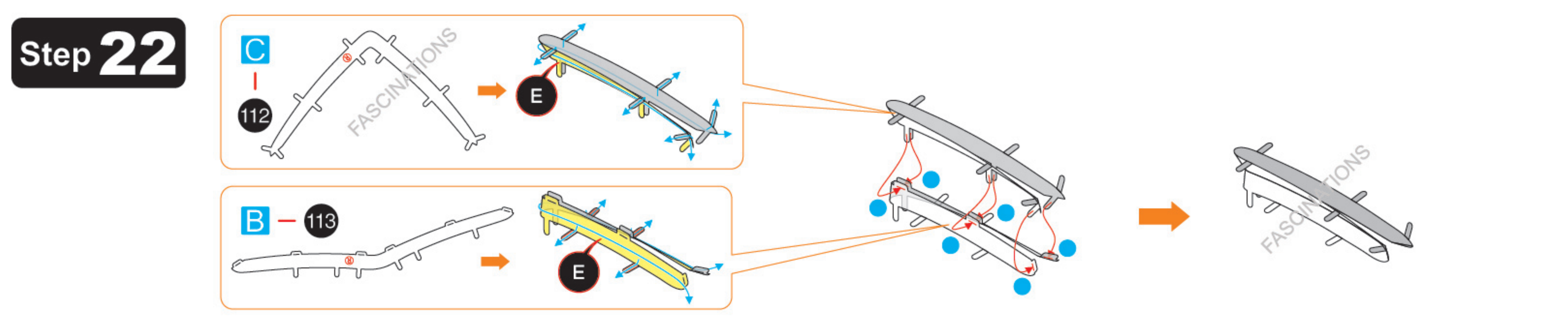
Step 20



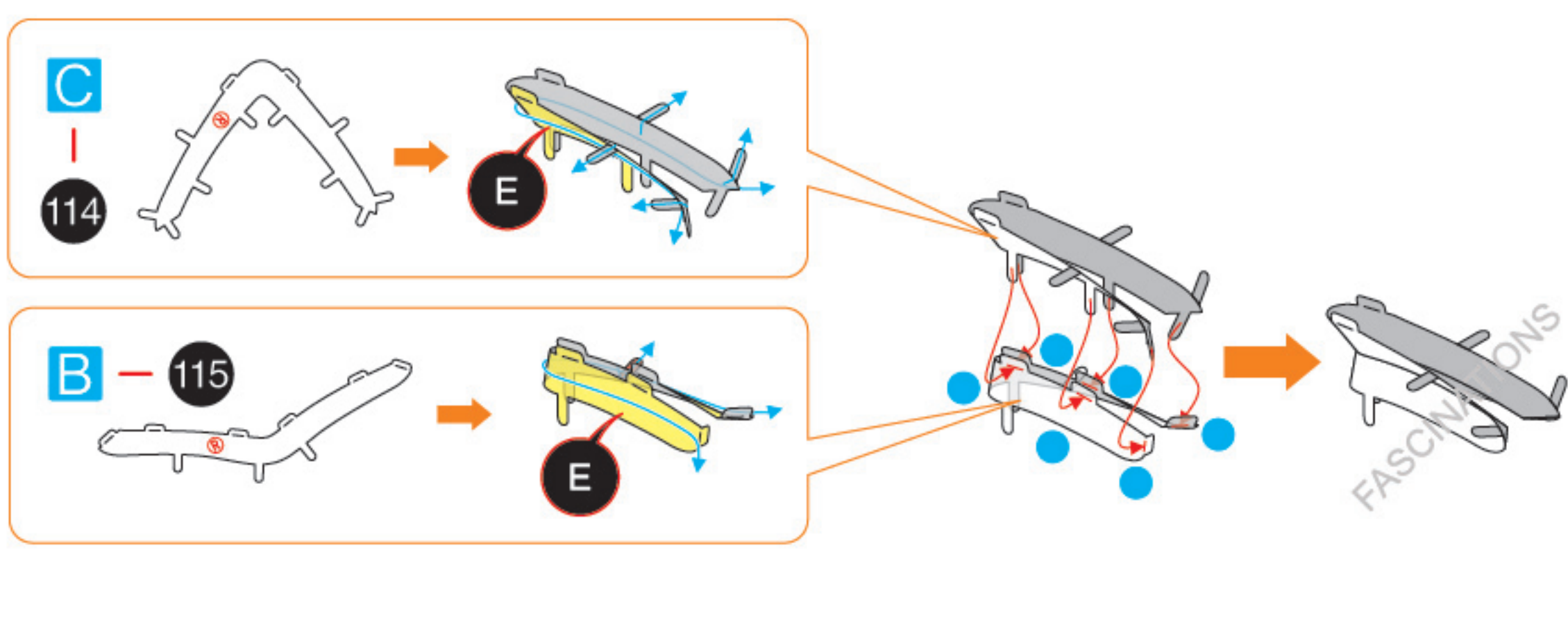
Step 21



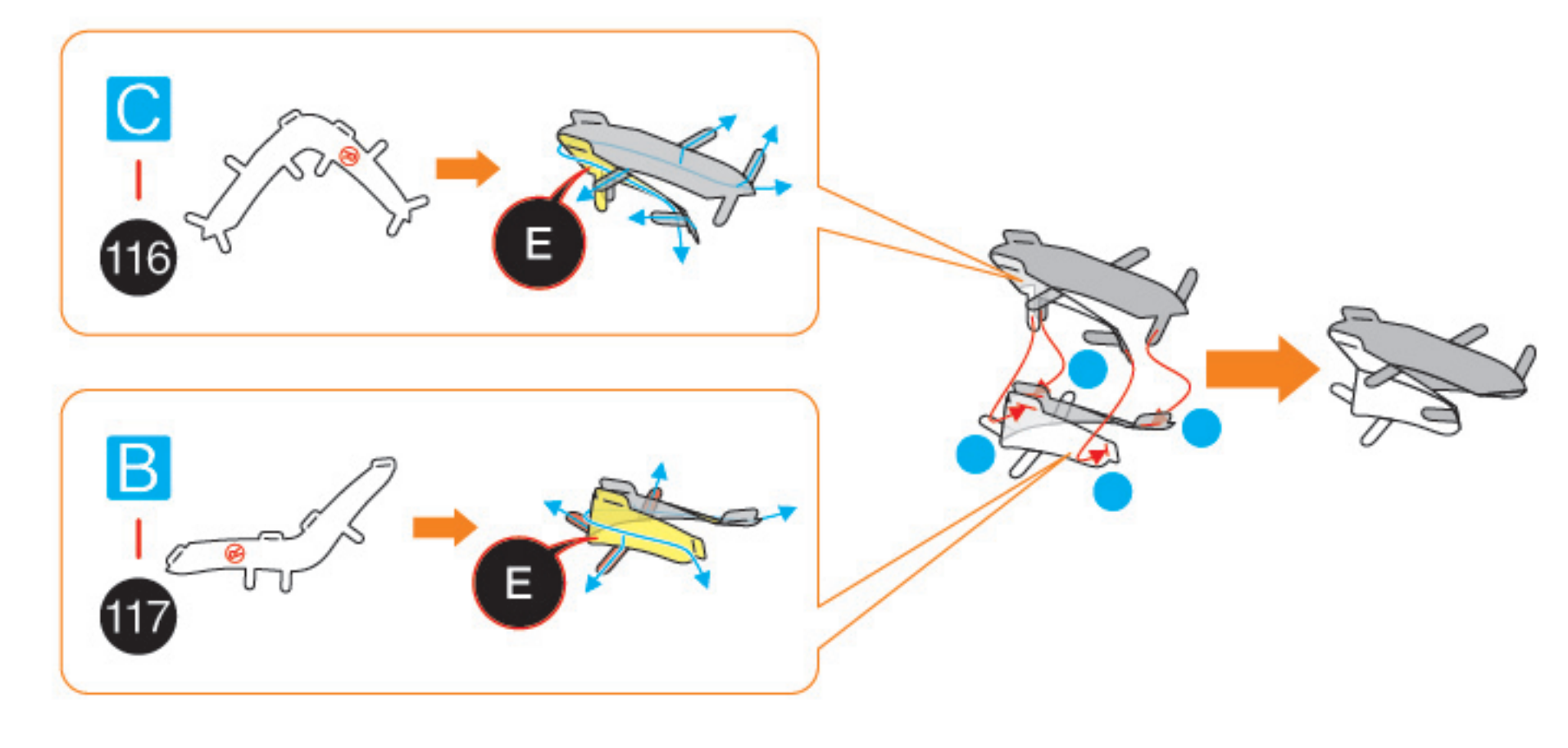
Step 22



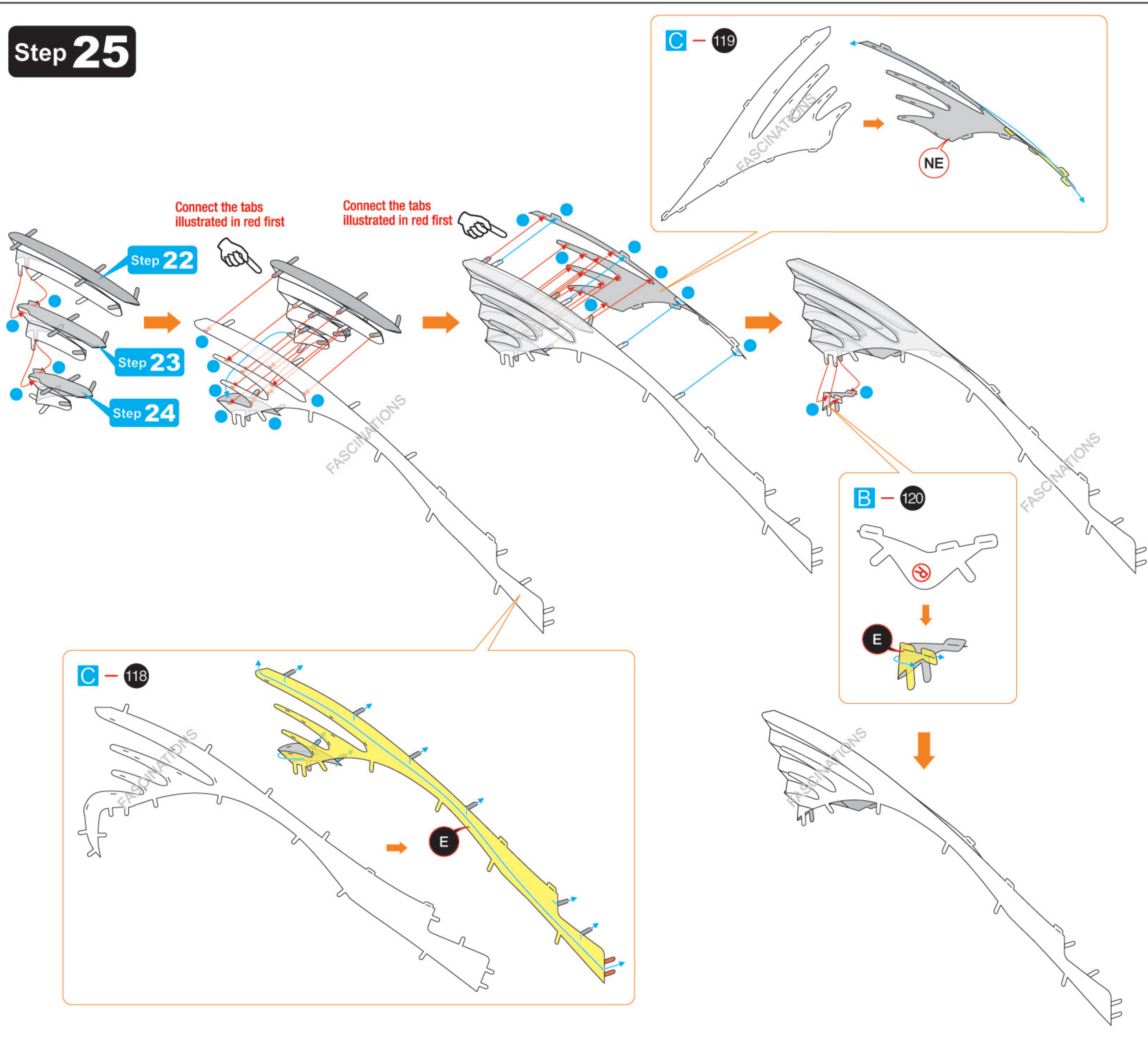
Step 23



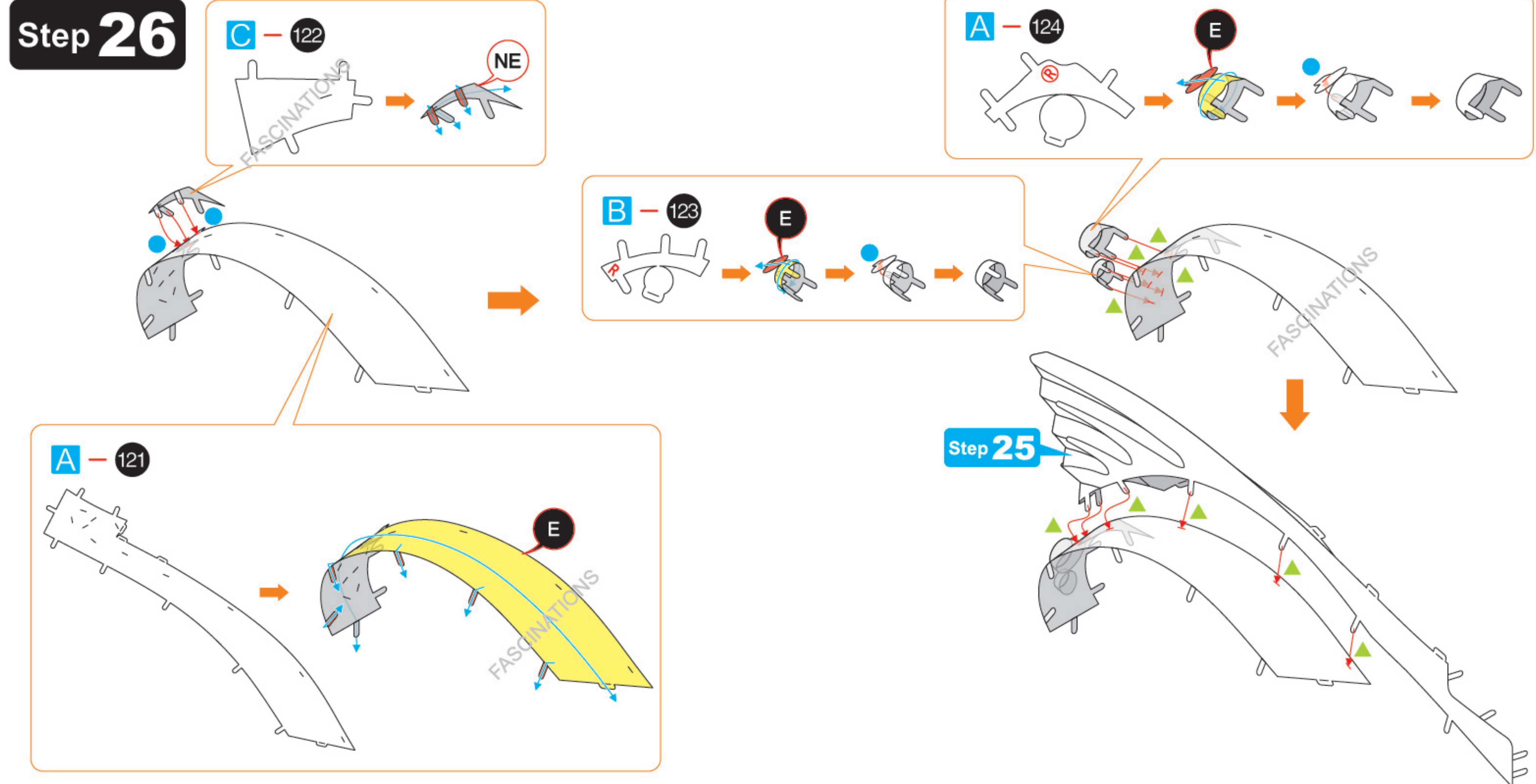
Step 24



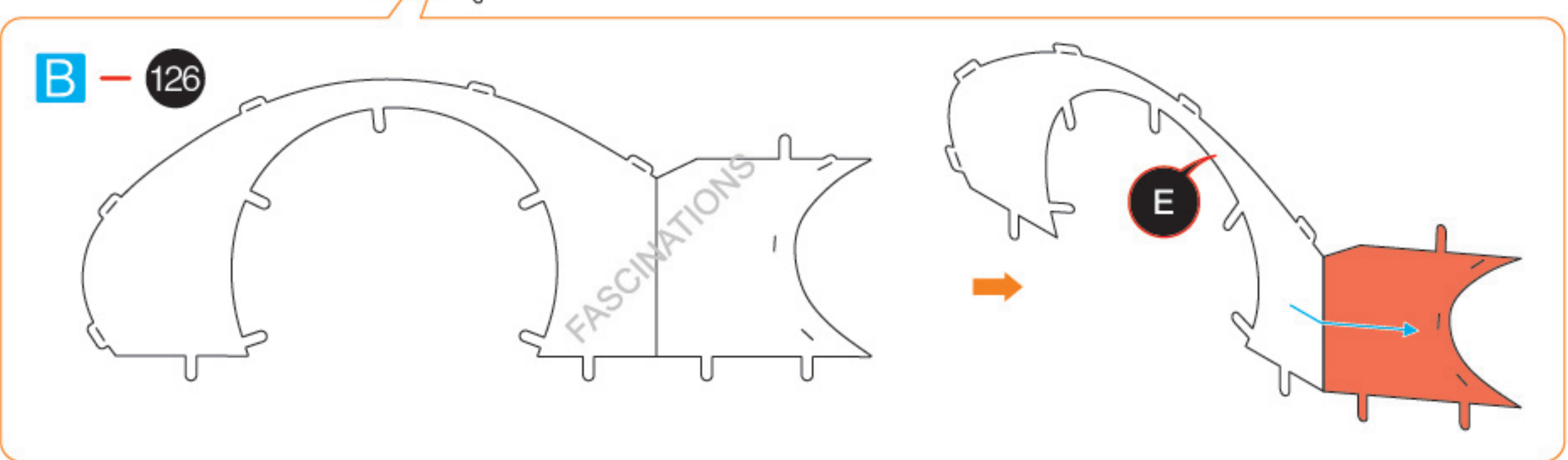
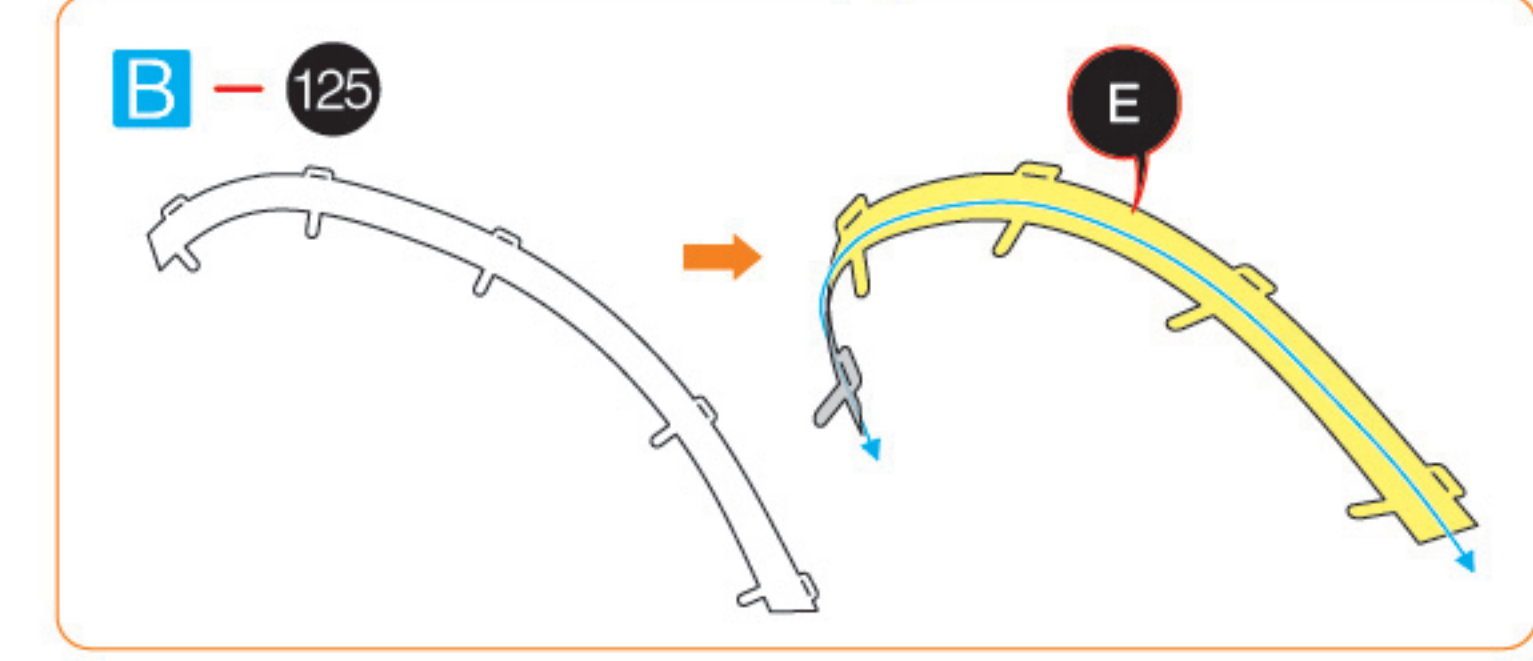
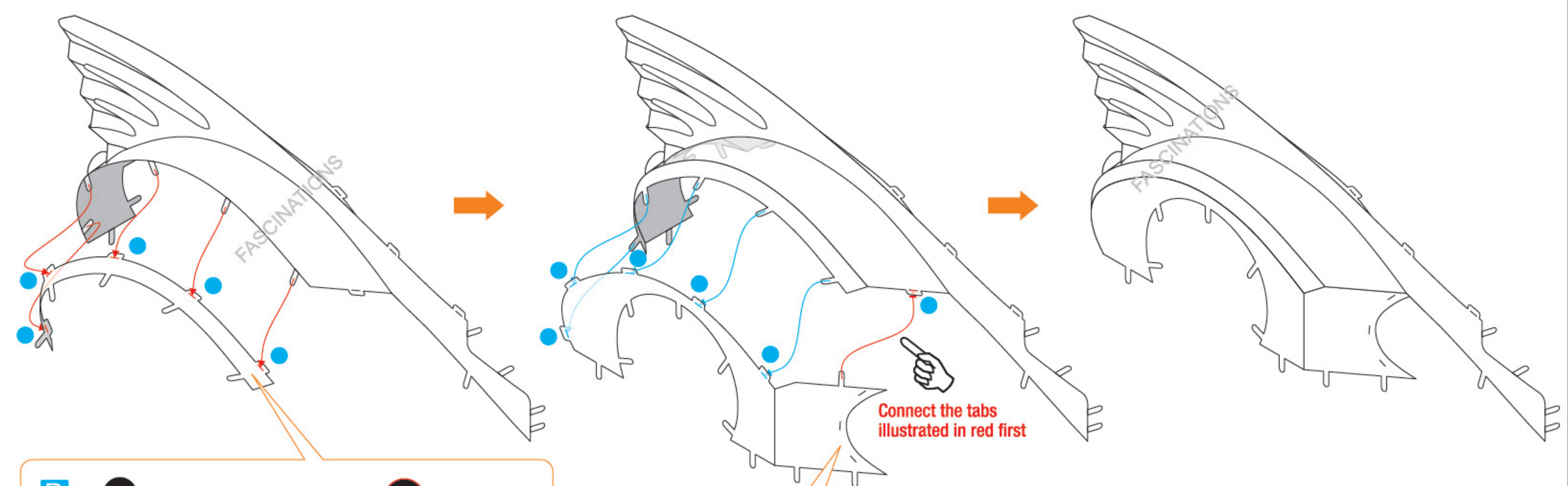
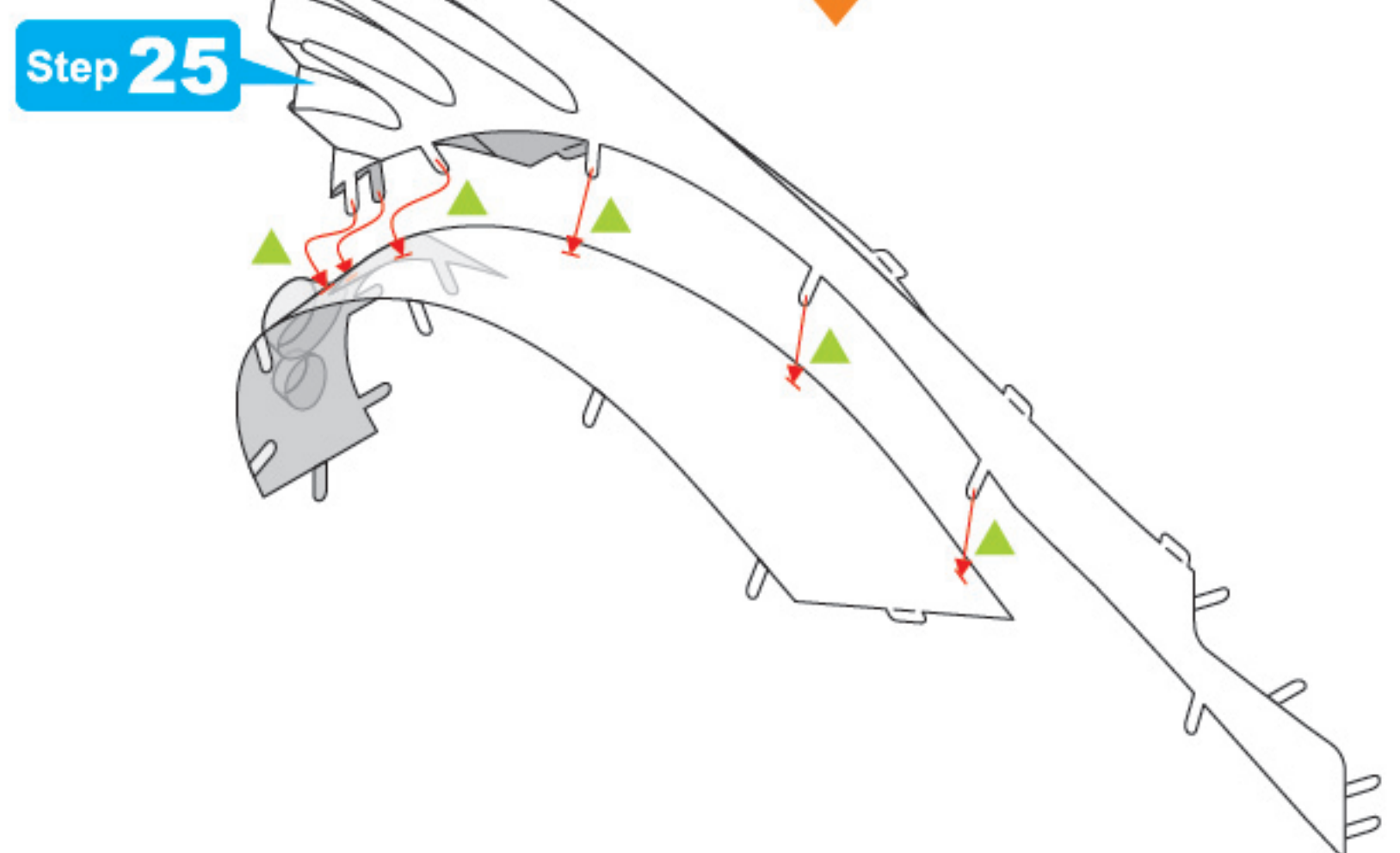
Step 25



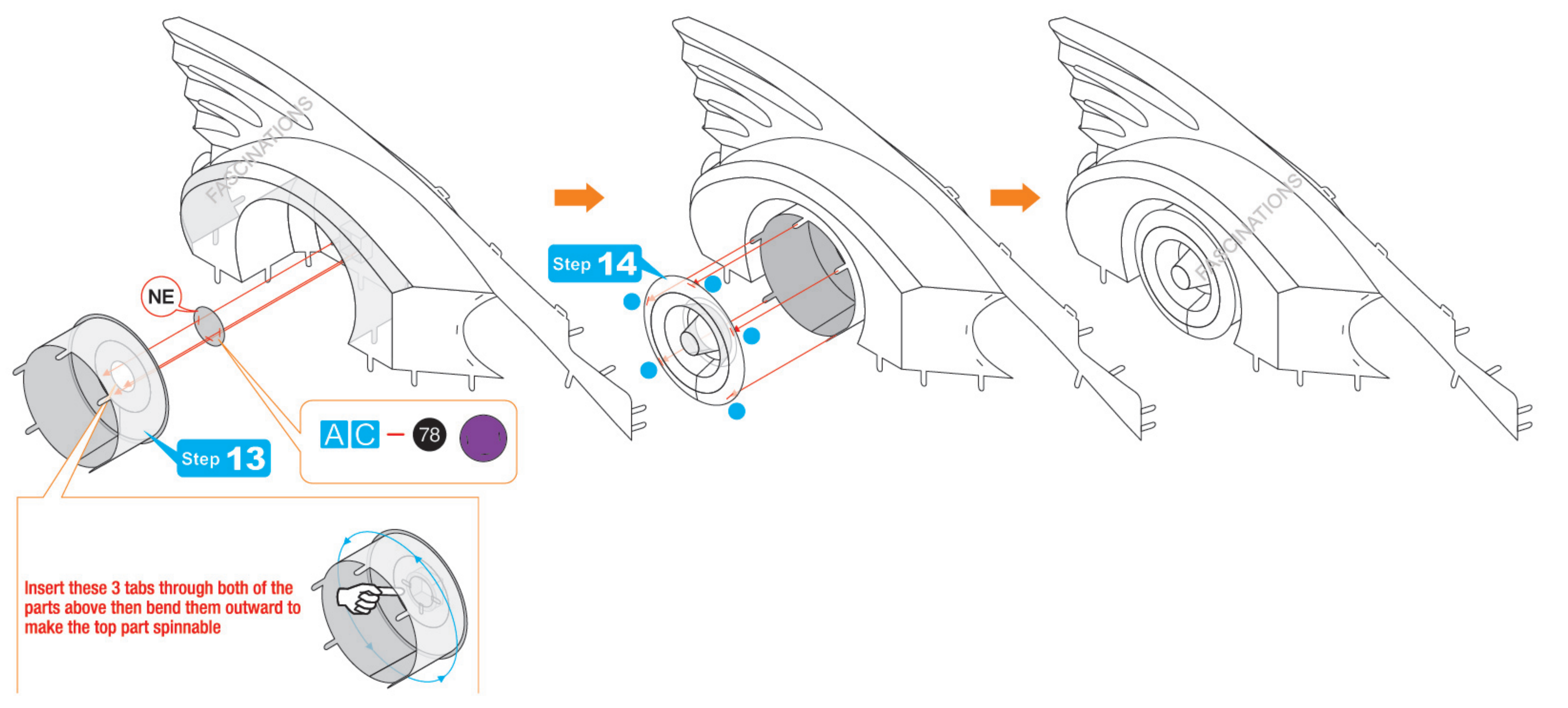
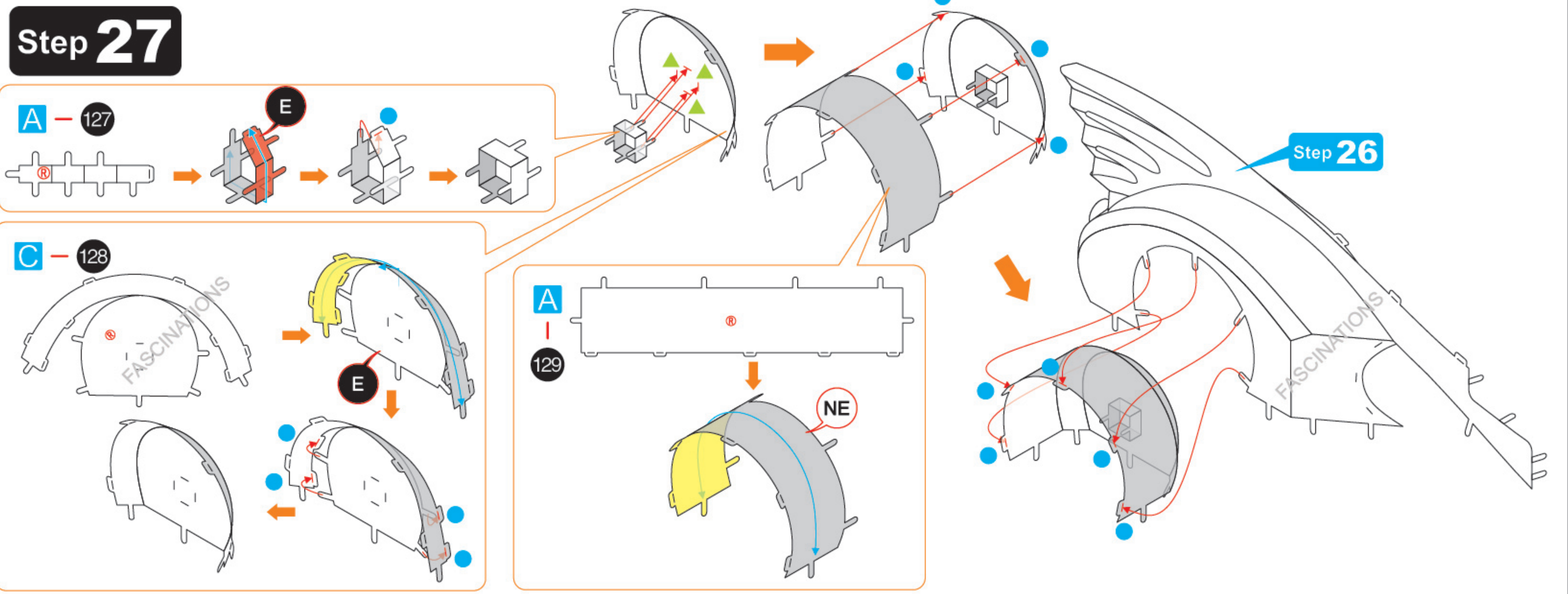
Step 26



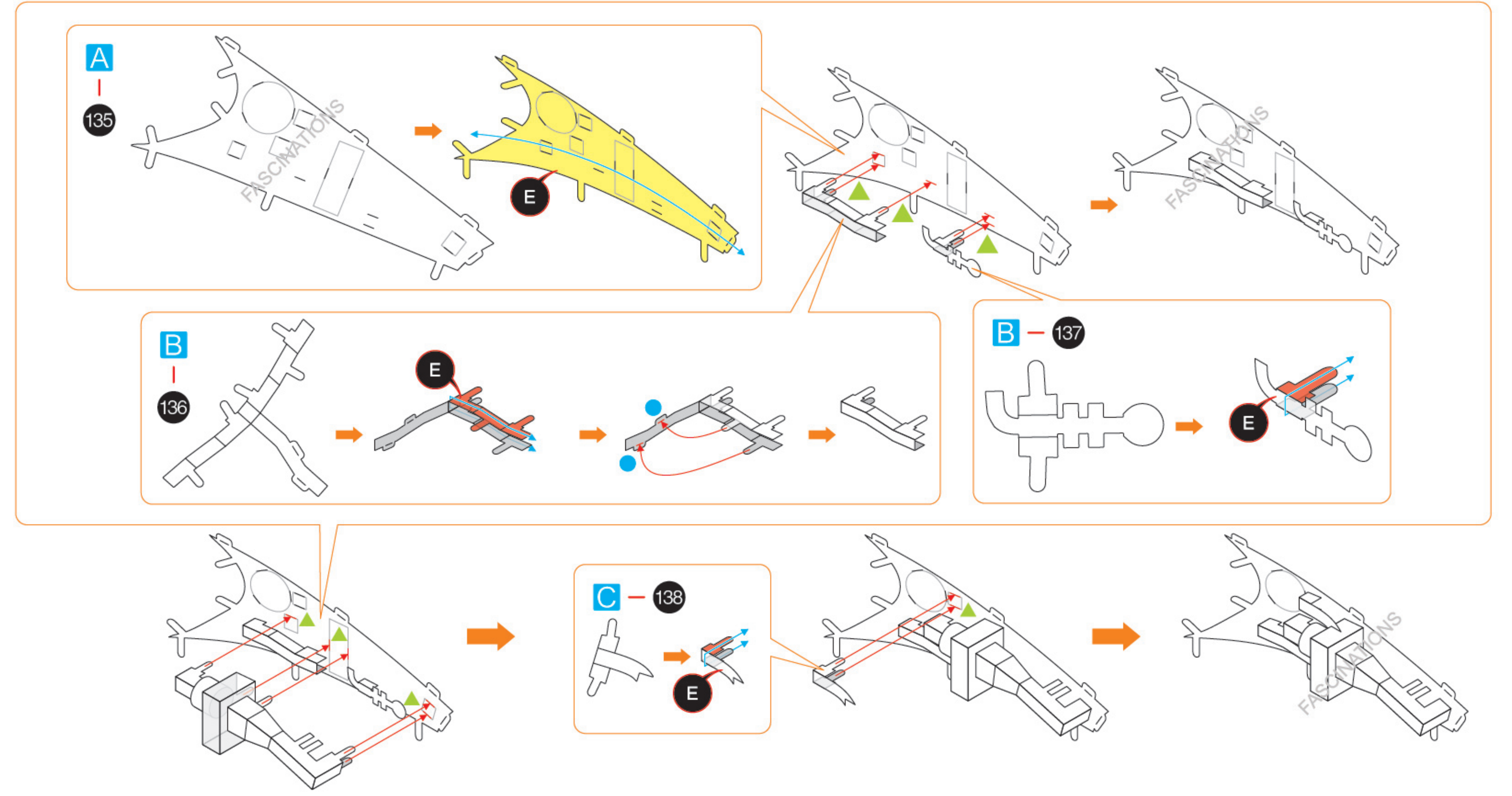
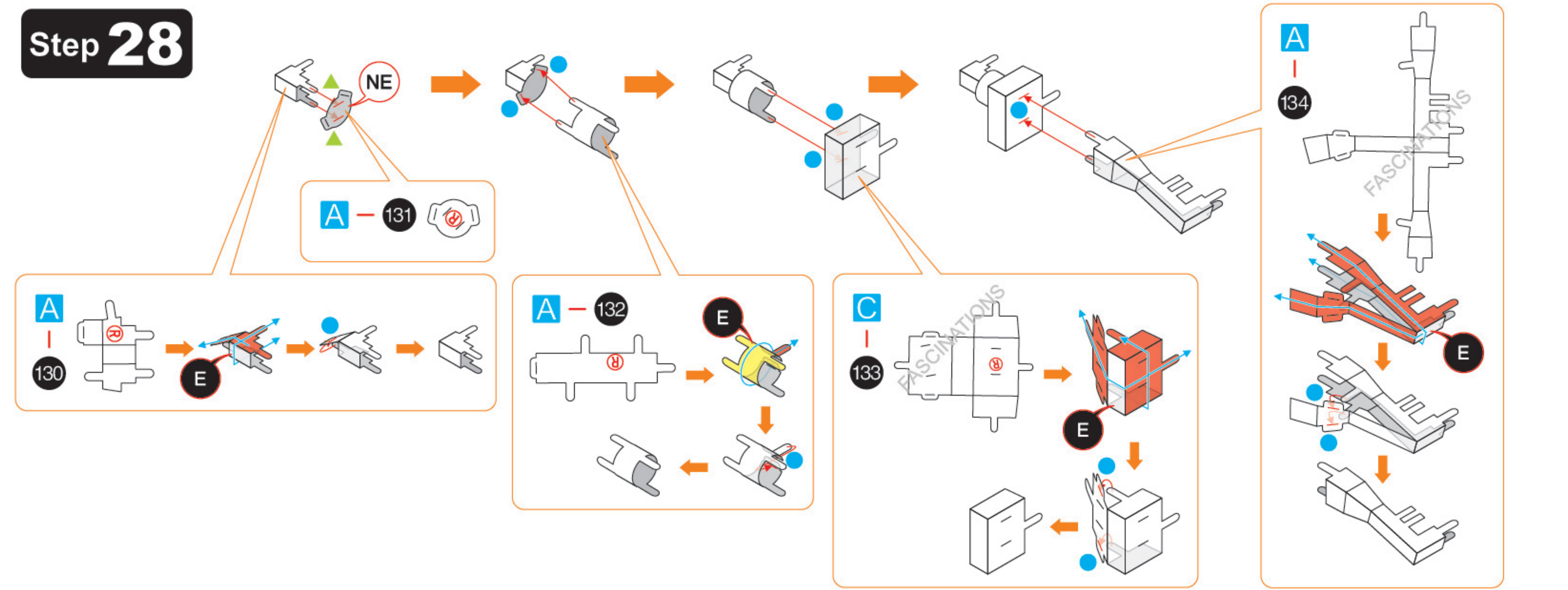
Step 25



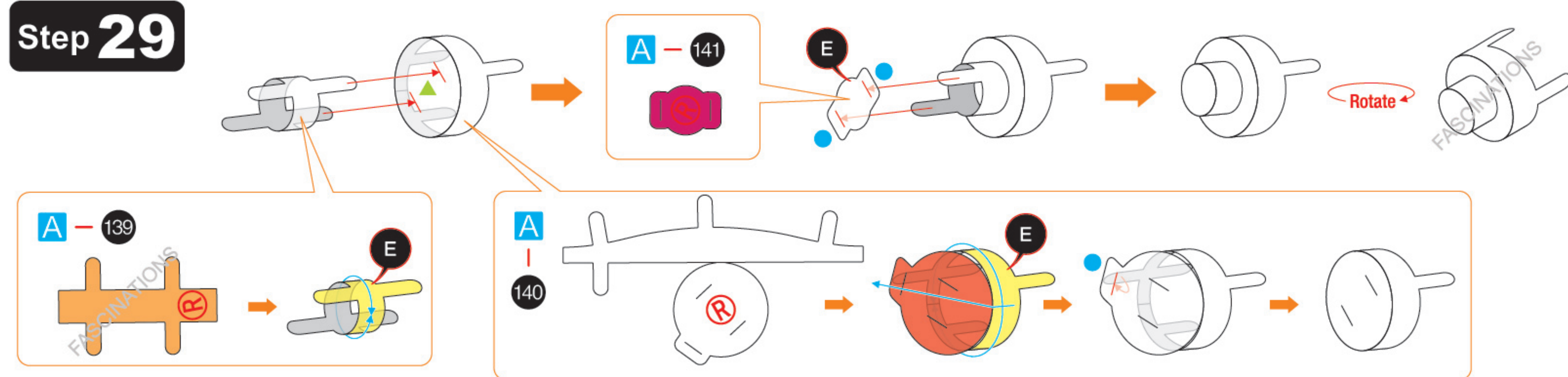
Step 27



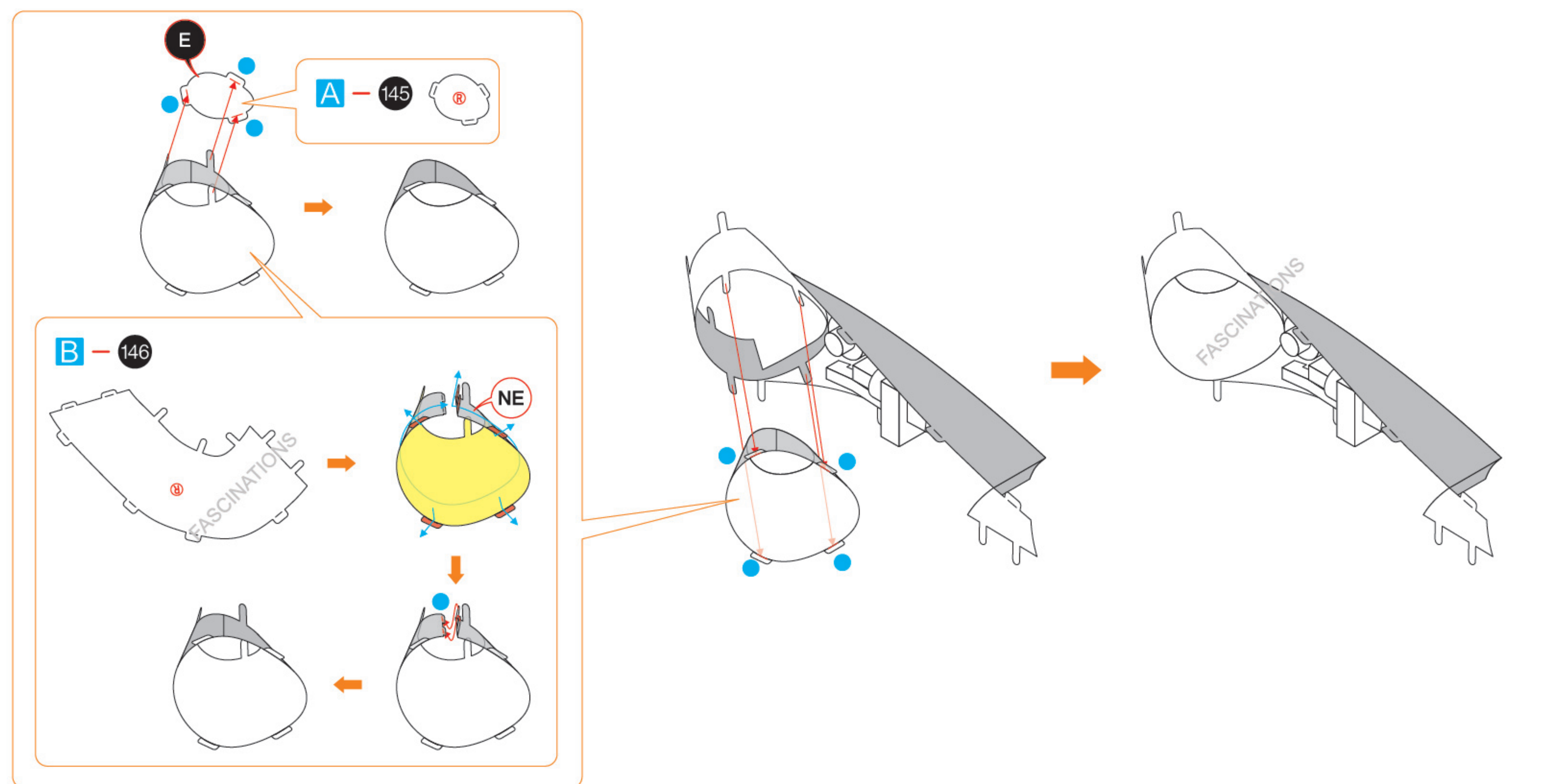
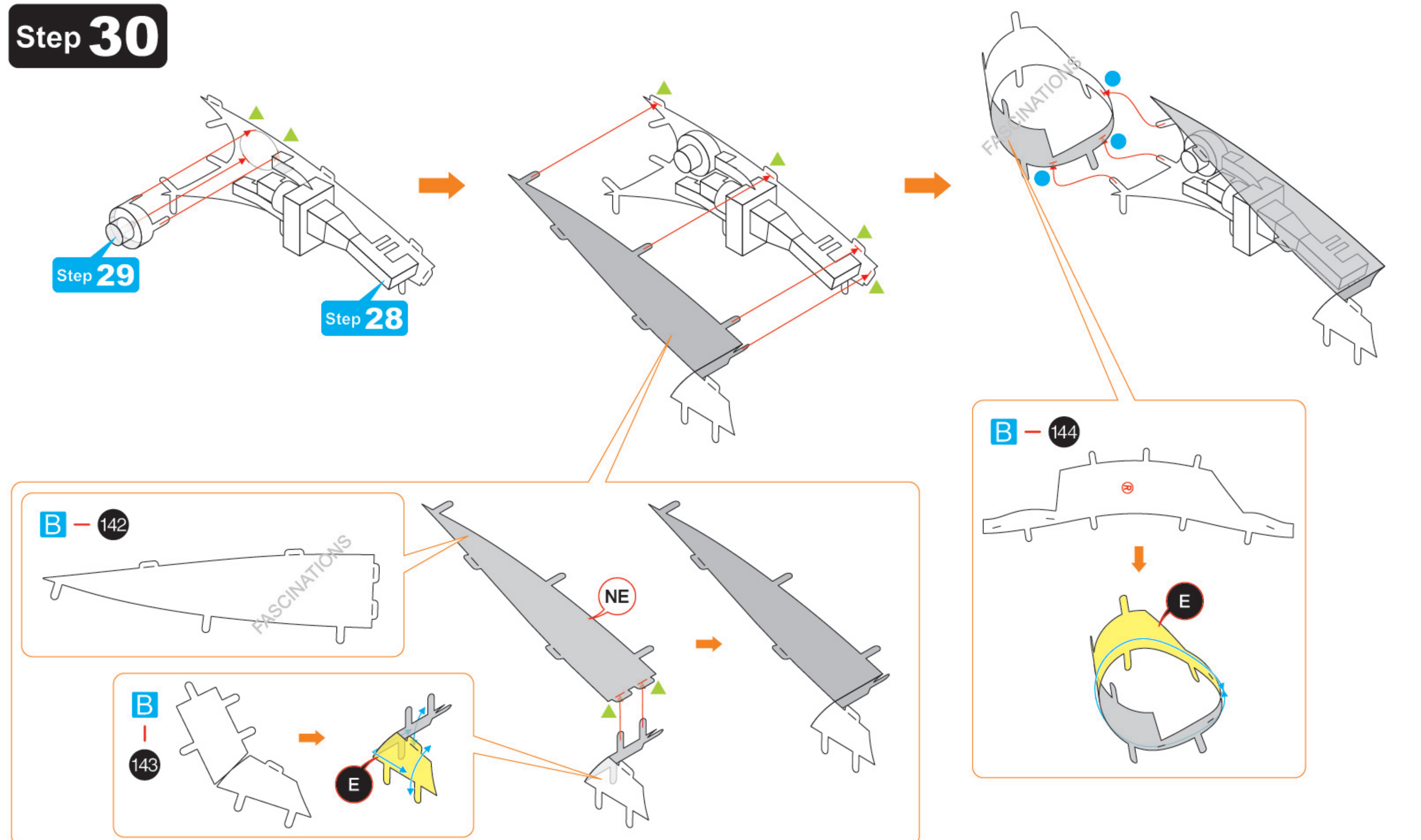
Step 28



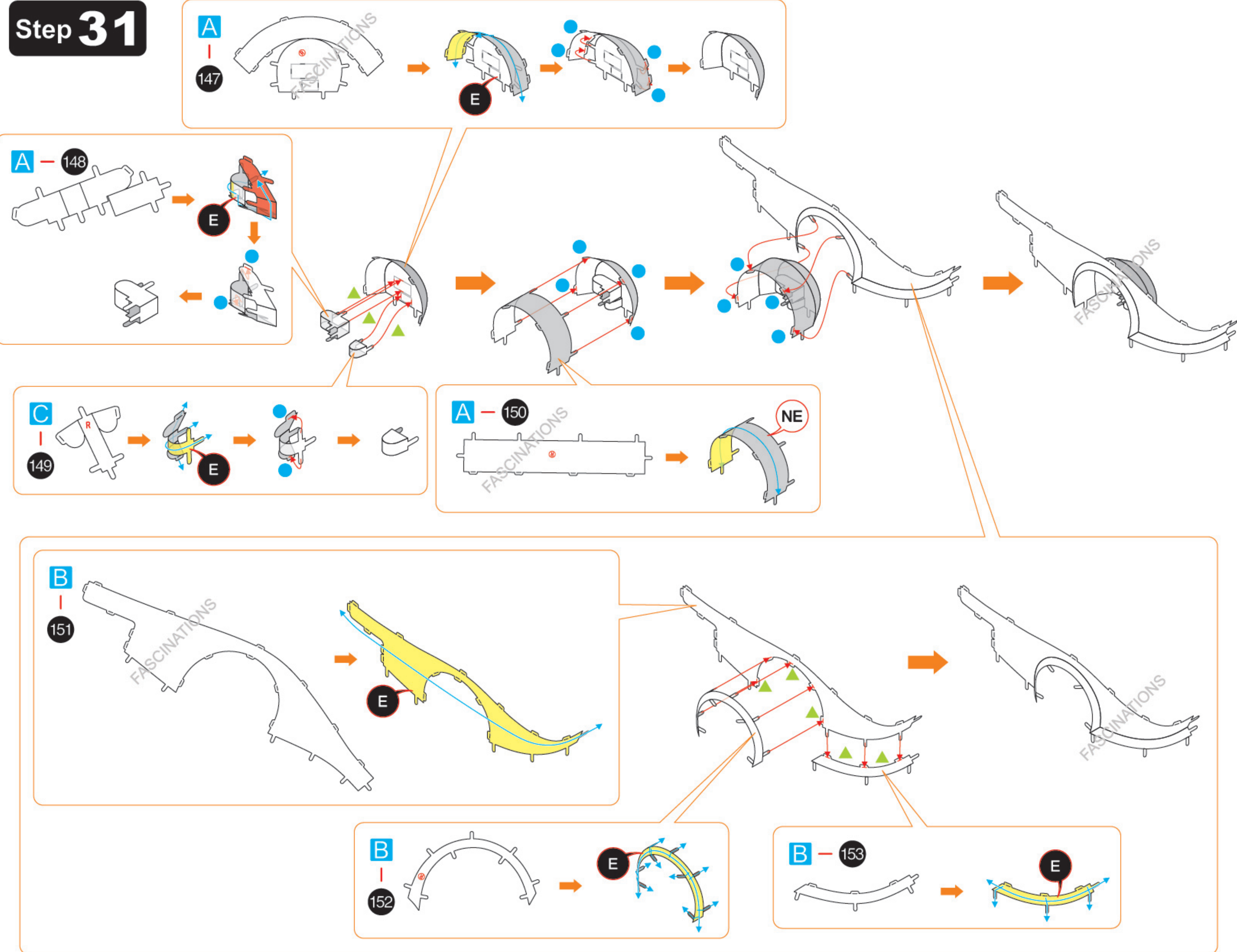
Step 29



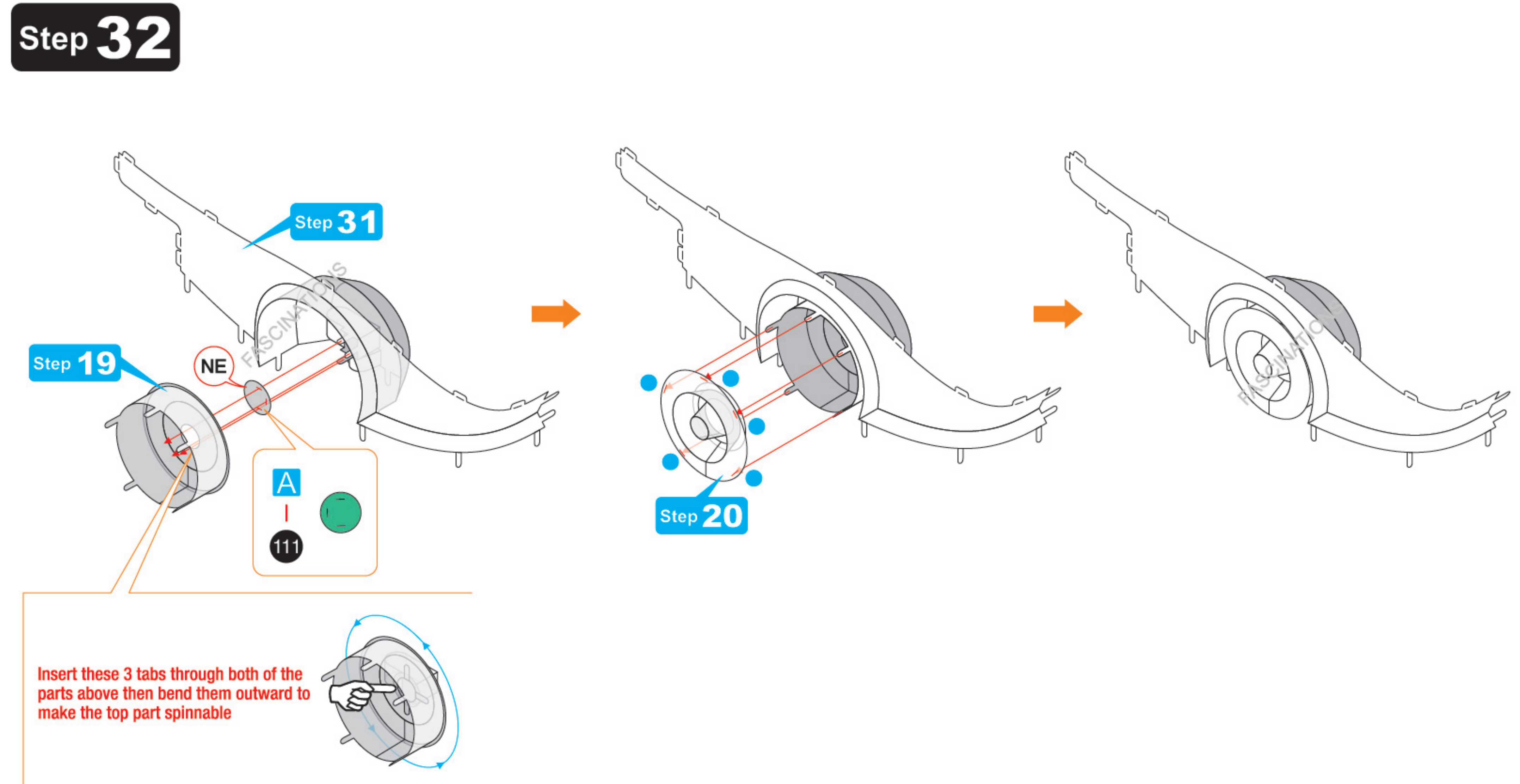
Step 30



Step 31

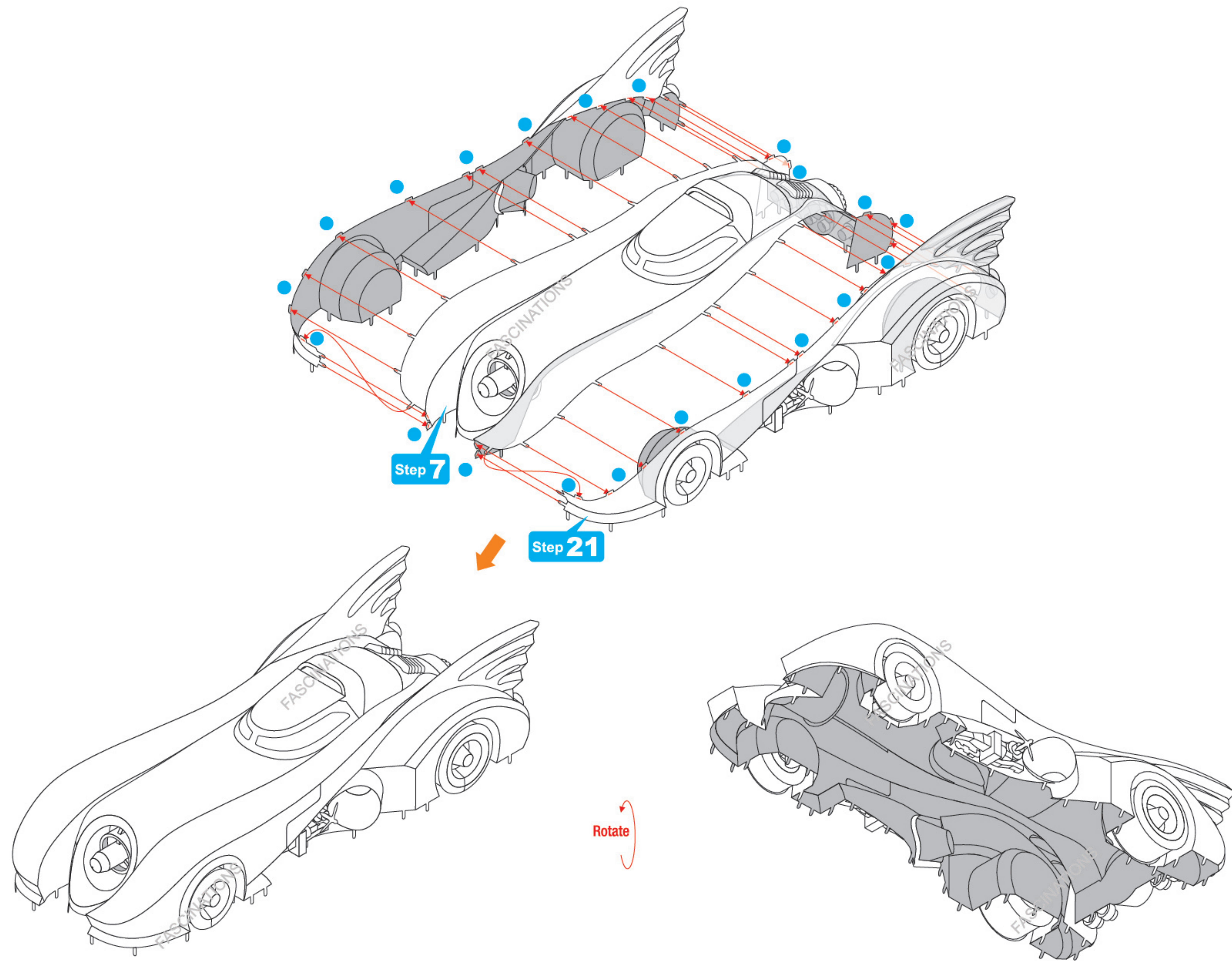
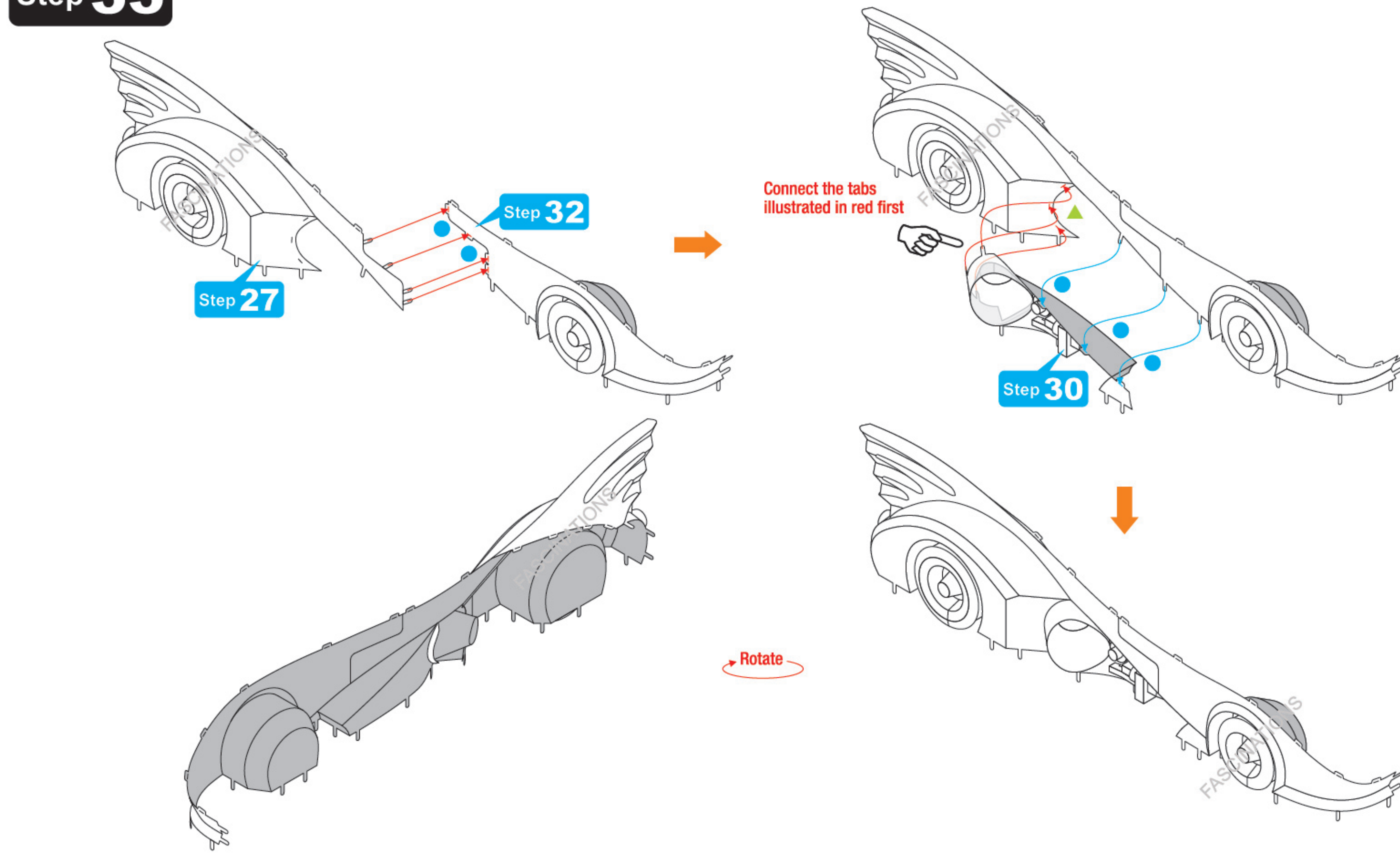


Step 32

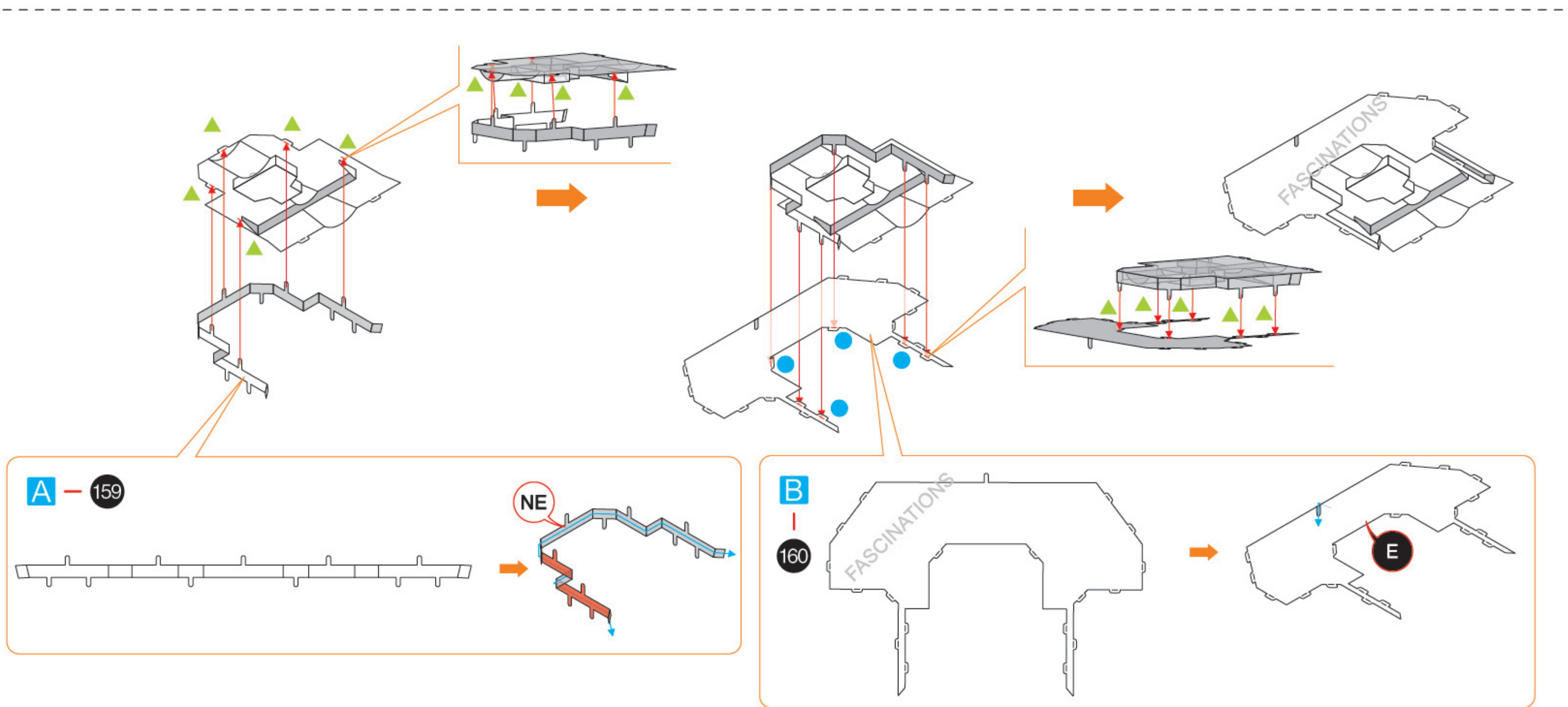
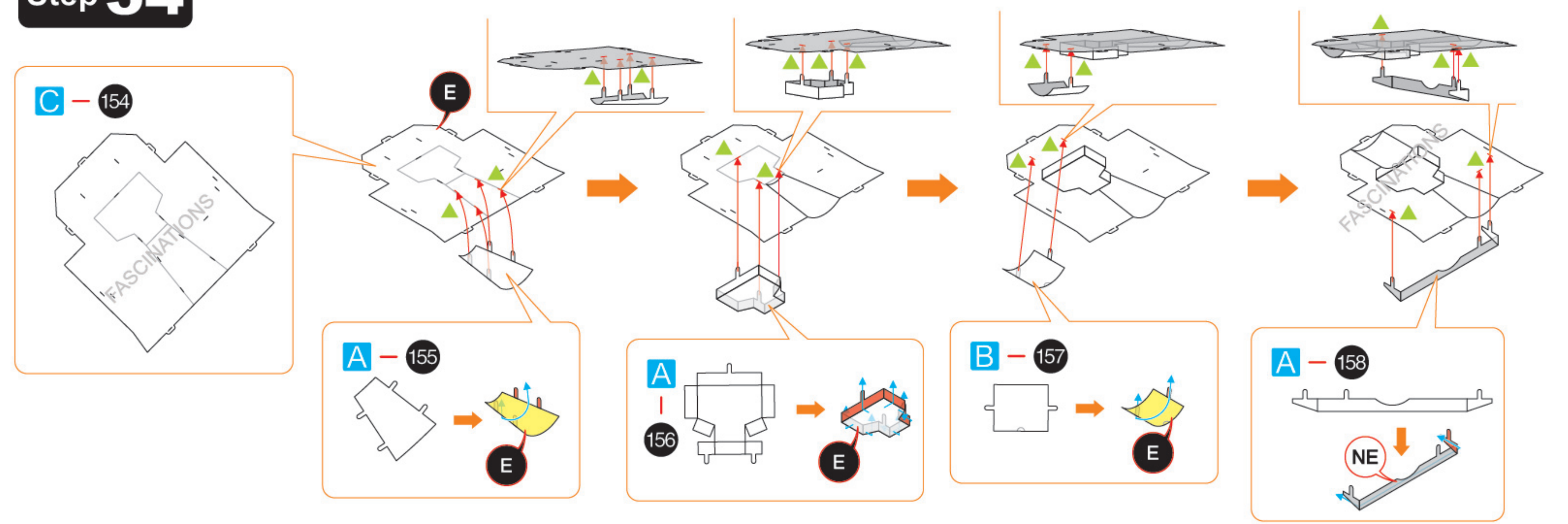




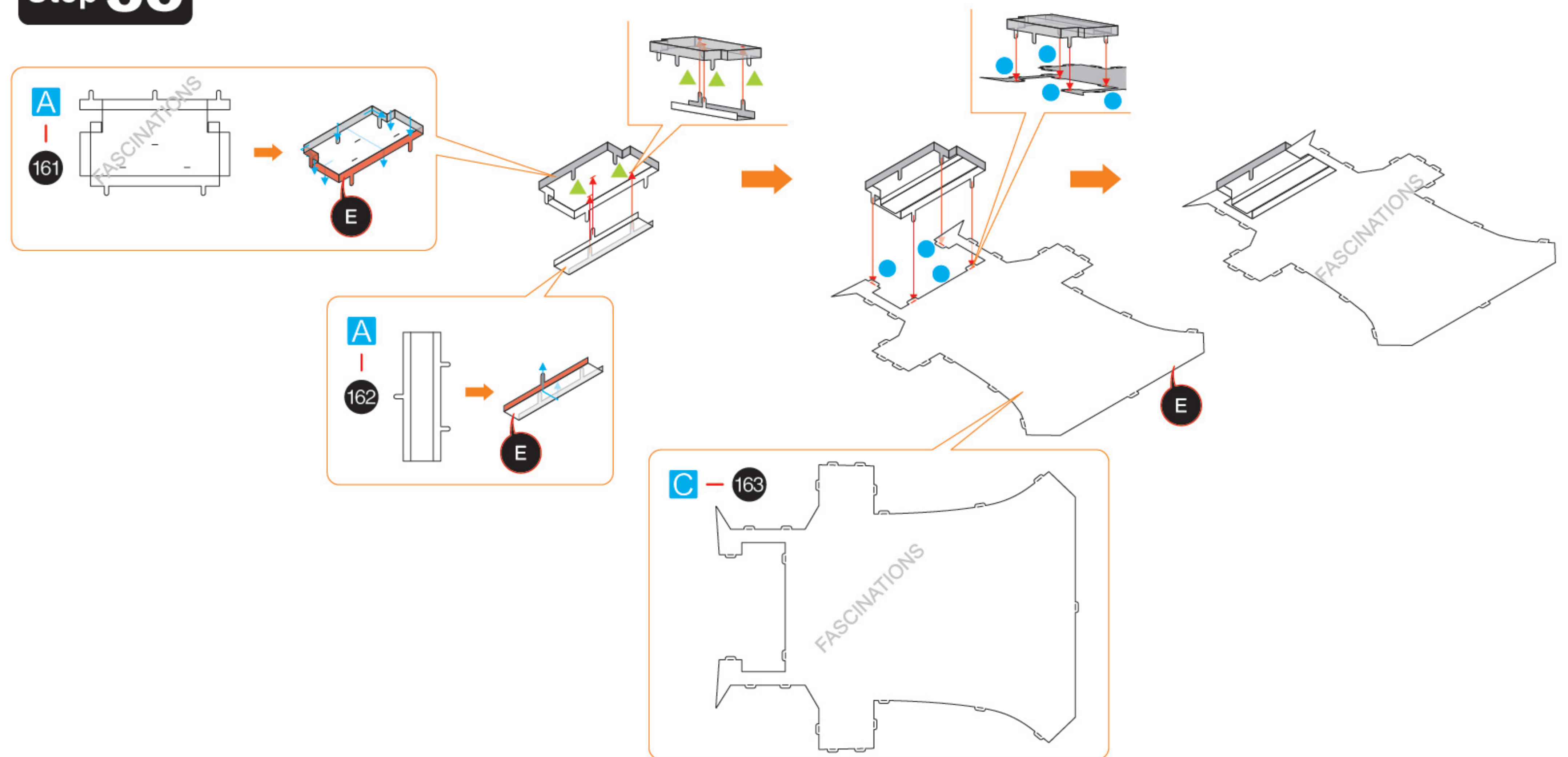
### Step 33



### Step 34



### Step 35



Step 36

