

GREAT SPHINX OF GIZA ME1007

It is highly recommended that you visit www.metalearth.com/360/ME1007 to see the completed model before assembling your own



TO CREATE THE BEST CONNECTIONS

A - 48



Consider these engraved stripes as supporting features for the bend

Legends:

- E Engraved/ Color side
- NE Non - engraved/ Silver side
- Attention point
- Insert tab and bend 90 degrees
- ▲ Insert tab and twist 90 degrees

Assembly tip:

If needed, slightly twist tabs to hold parts together then untwist and bend them down for a nice finish.

- Yellow areas should be curled
- Red areas should be folded

Recommended tools:

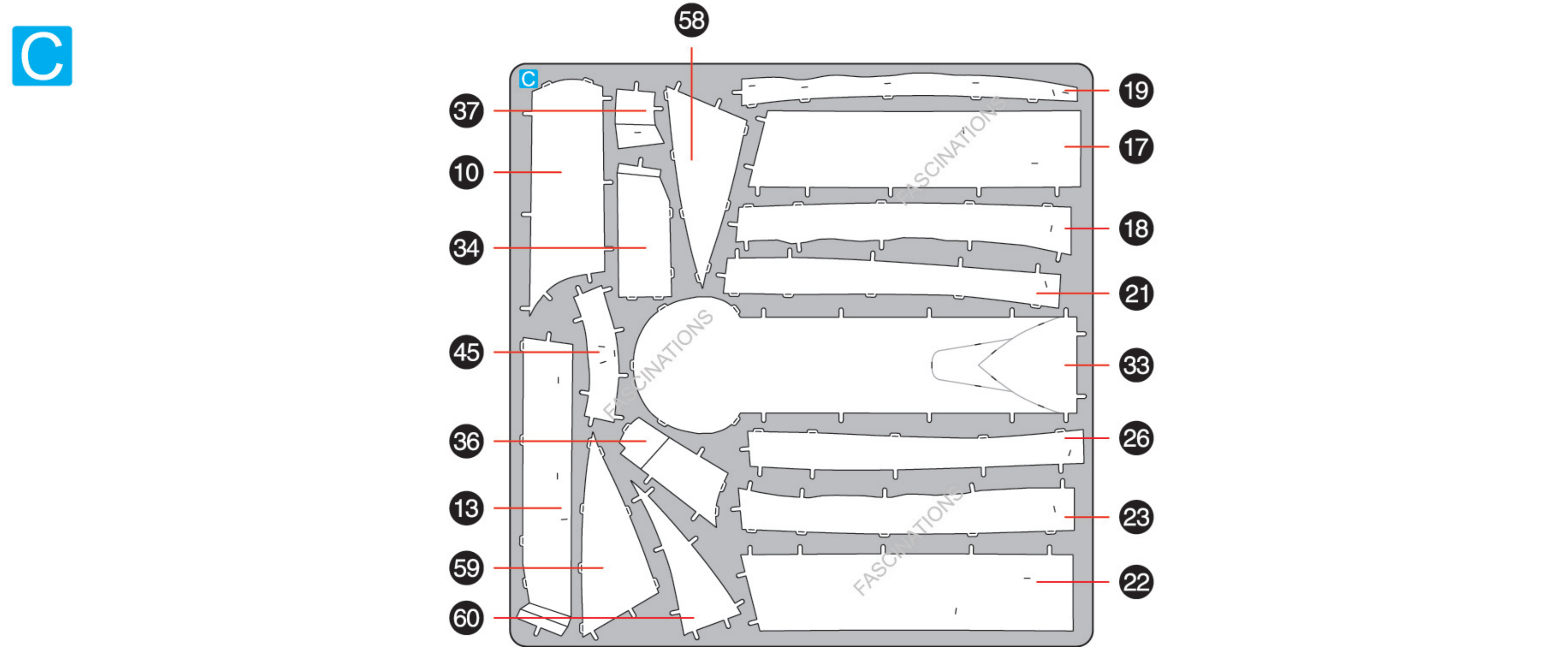
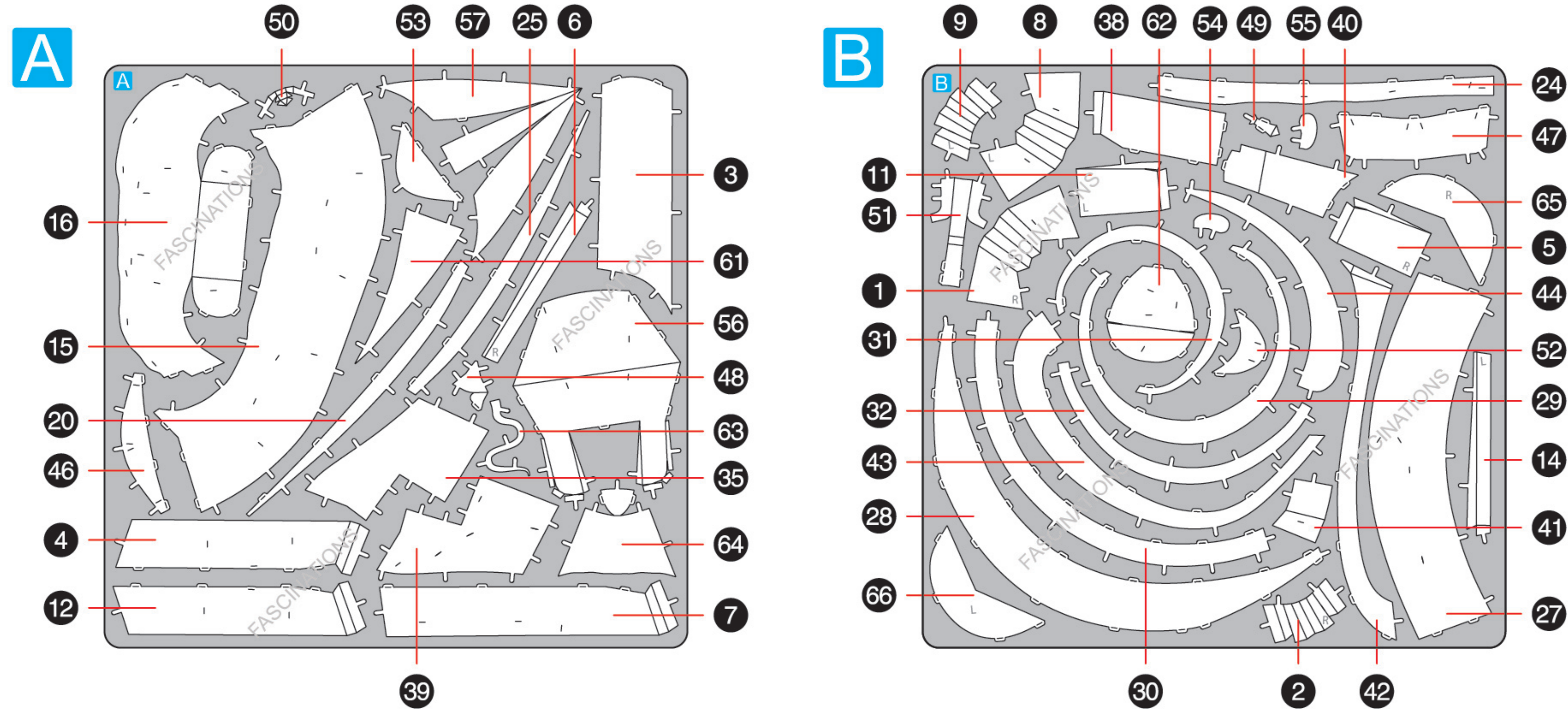
- Wire cutters: helpful for taking parts from the metal sheets.



- Tweezers or needle nose pliers: helpful for folding parts, bending and twisting tabs.

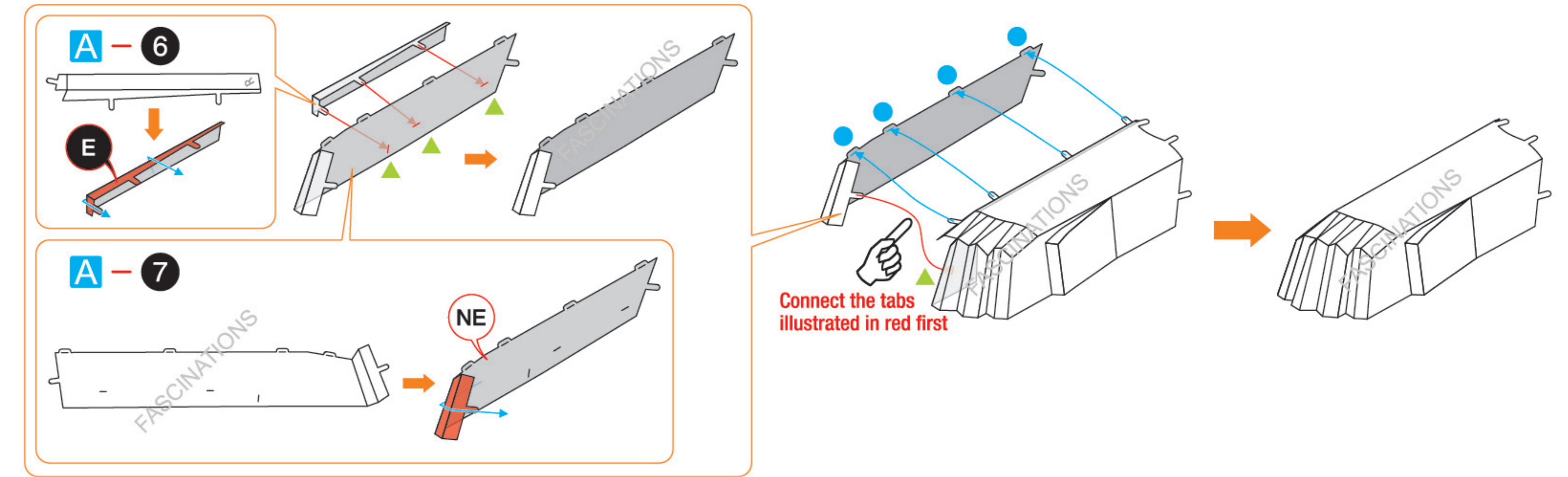
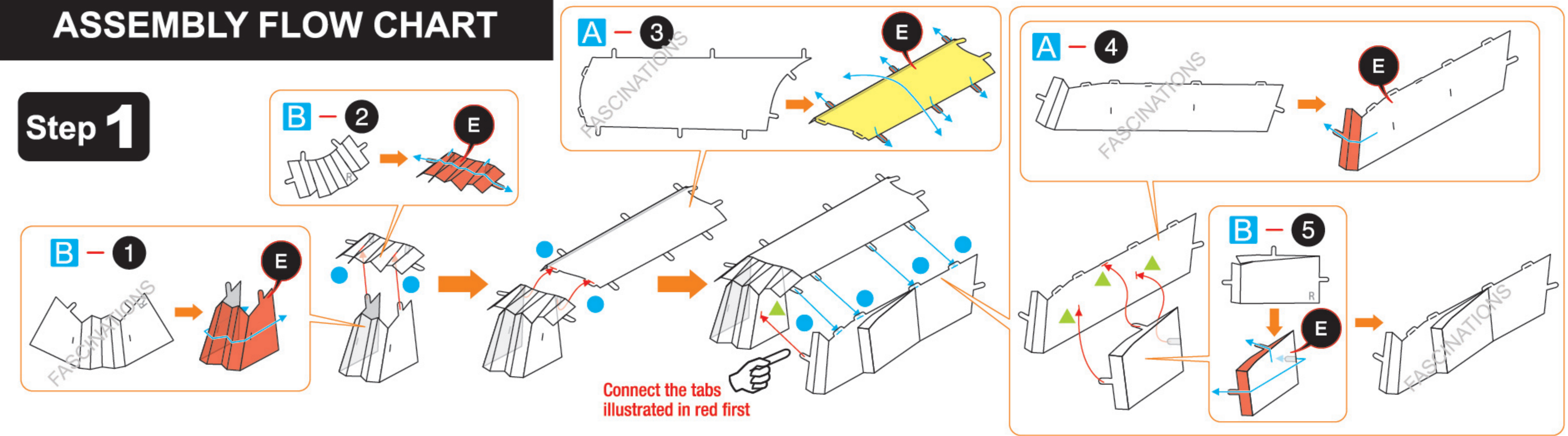


METAL SHEETS

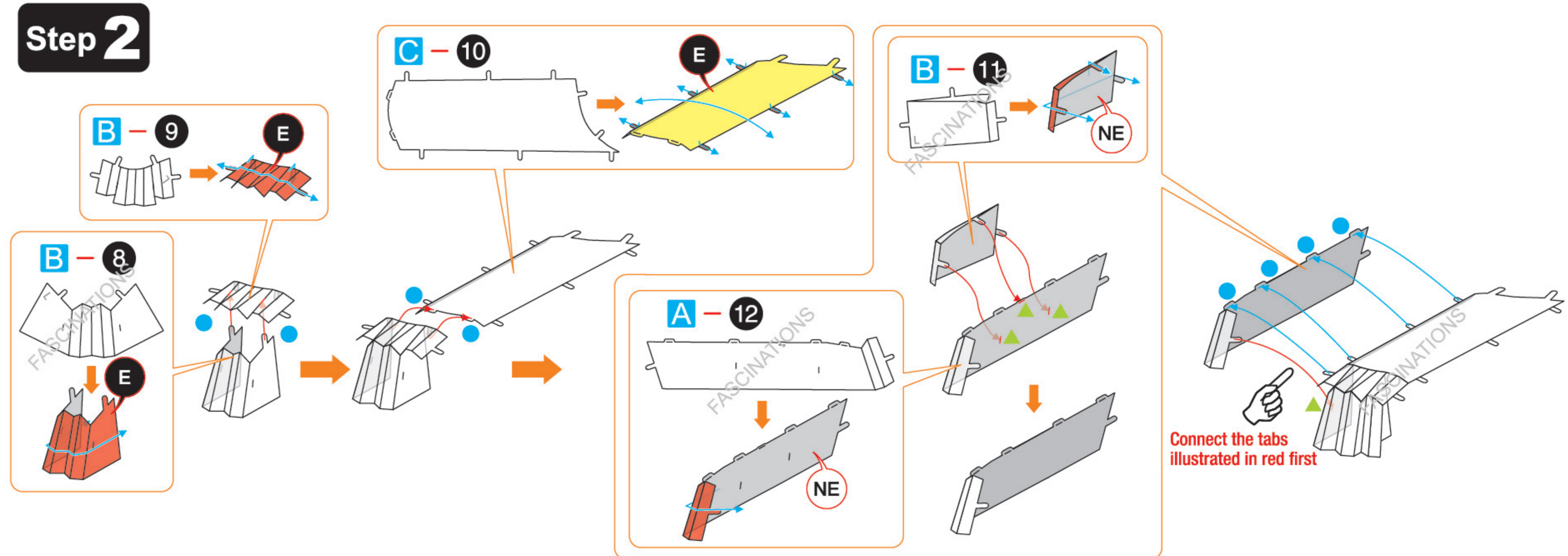


ASSEMBLY FLOW CHART

Step 1



Step 2



In order to avoid possible injury from sharp edges, please carefully discard the metal sheets after parts have been removed.

