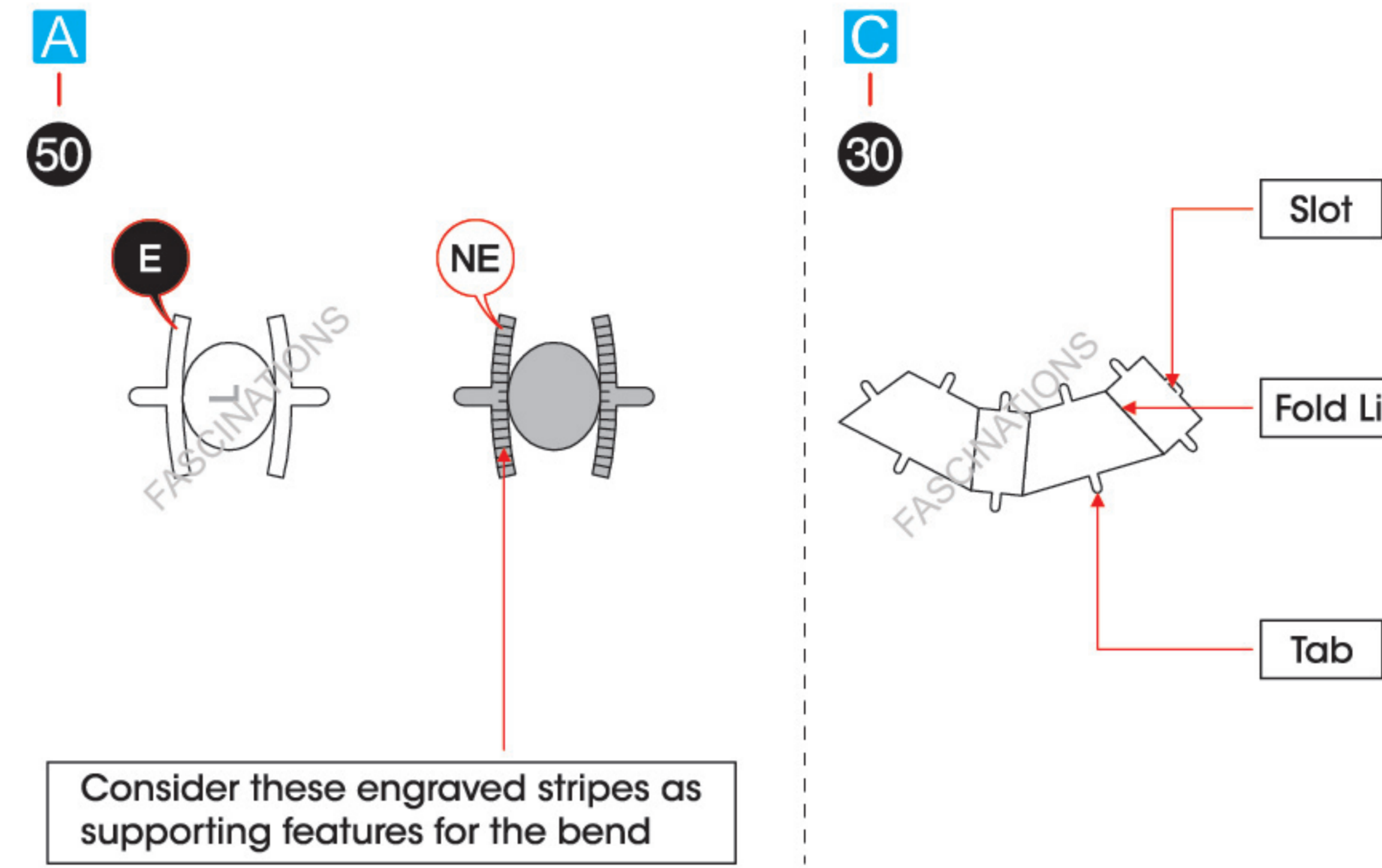


X-34 LANDSPEEDER™ MMS480

It is highly recommended that you visit www.metalearth.com/360/MMS480 to see the completed model before assembling your own



TO CREATE THE BEST CONNECTIONS



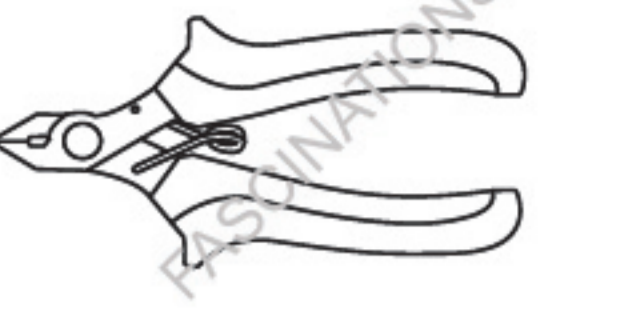
Consider these engraved stripes as supporting features for the bend

Legends:

- E** Engraved/ Color side
- NE** Non - engraved/ Silver side
- Attention point
- Insert tab and bend 90 degrees
- Insert tab and twist 90 degrees

Recommended tools:

- Wire cutters: helpful for taking parts from the metal sheets.



- Tweezers or needle nose pliers: helpful for folding parts, bending and twisting tabs.



Assembly tip:

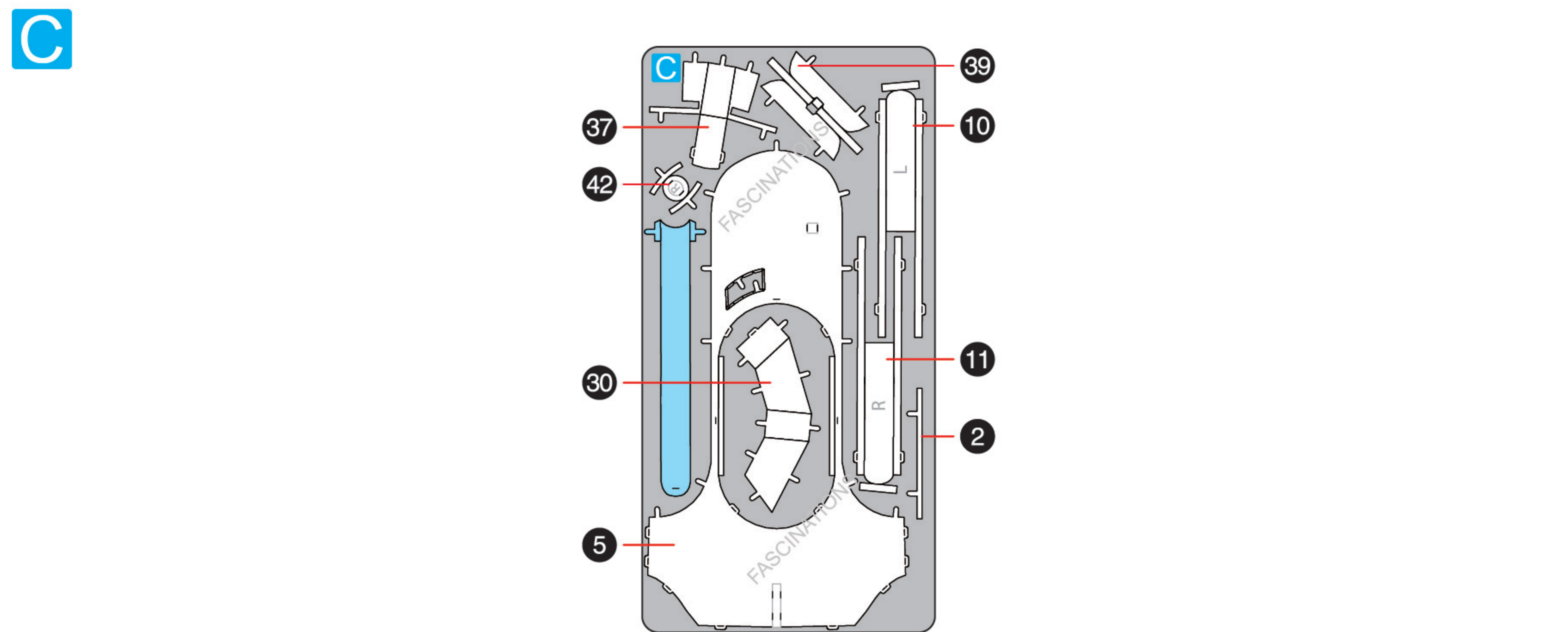
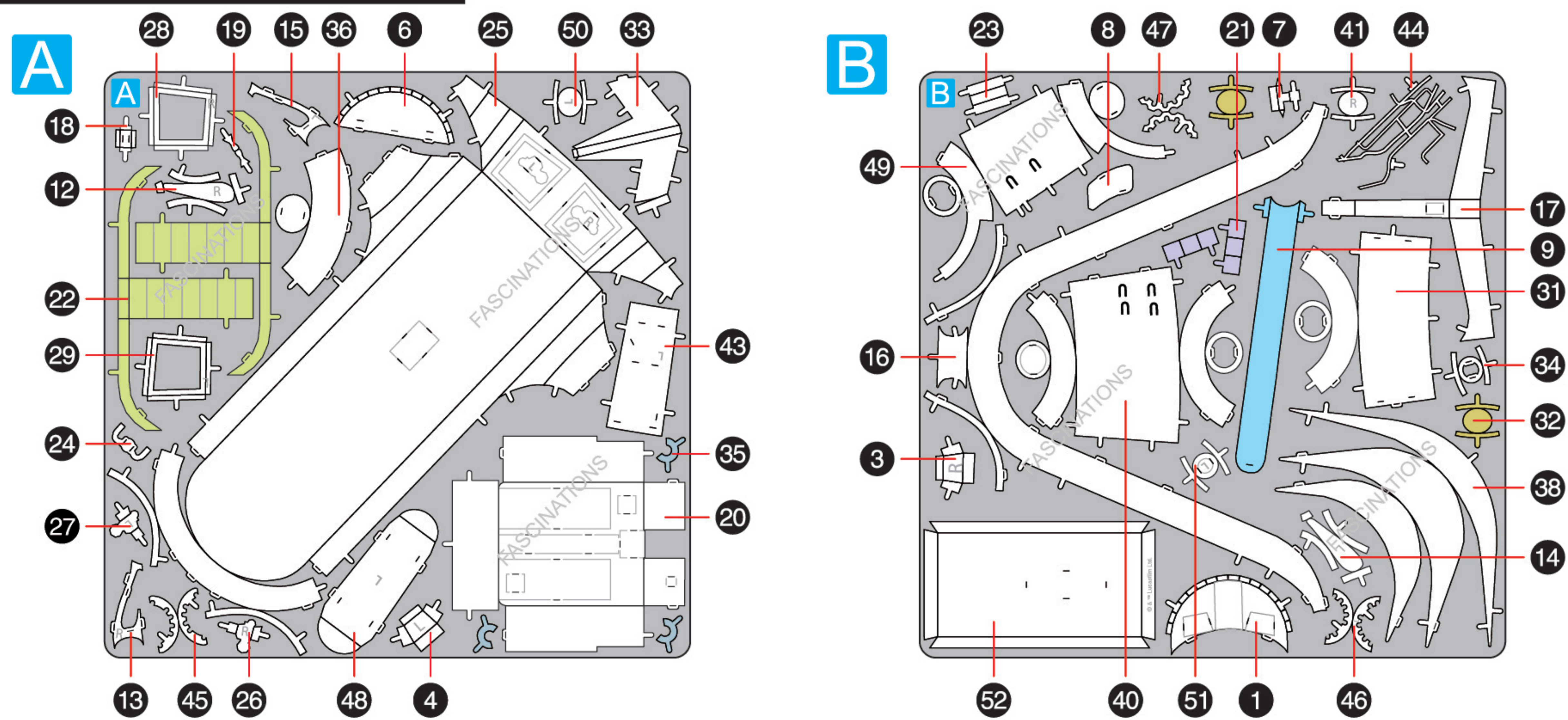
If needed, slightly twist tabs to hold parts together then untwist and bend them down for a nice finish.

Yellow areas should be curled

Red areas should be folded

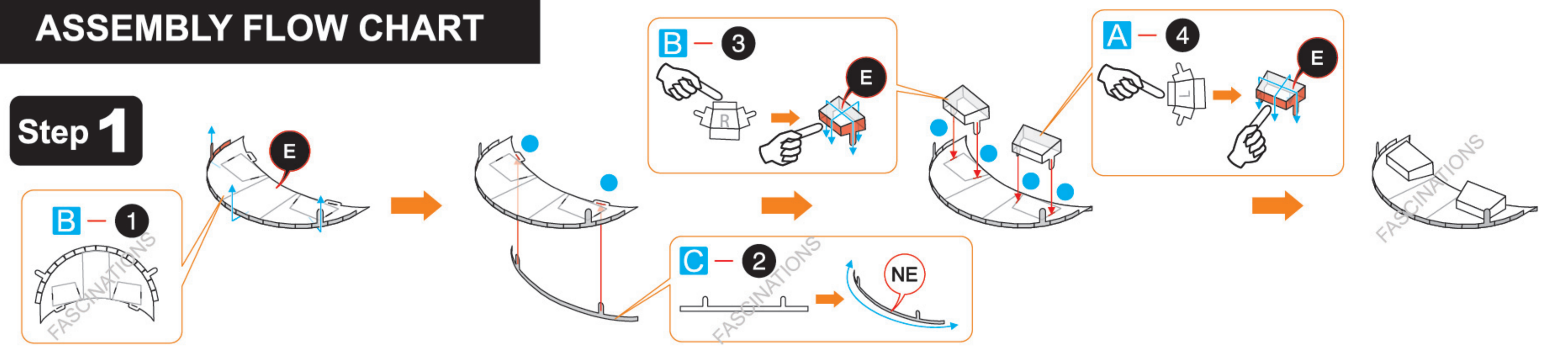
METAL SHEETS

Parts with same color are duplicates

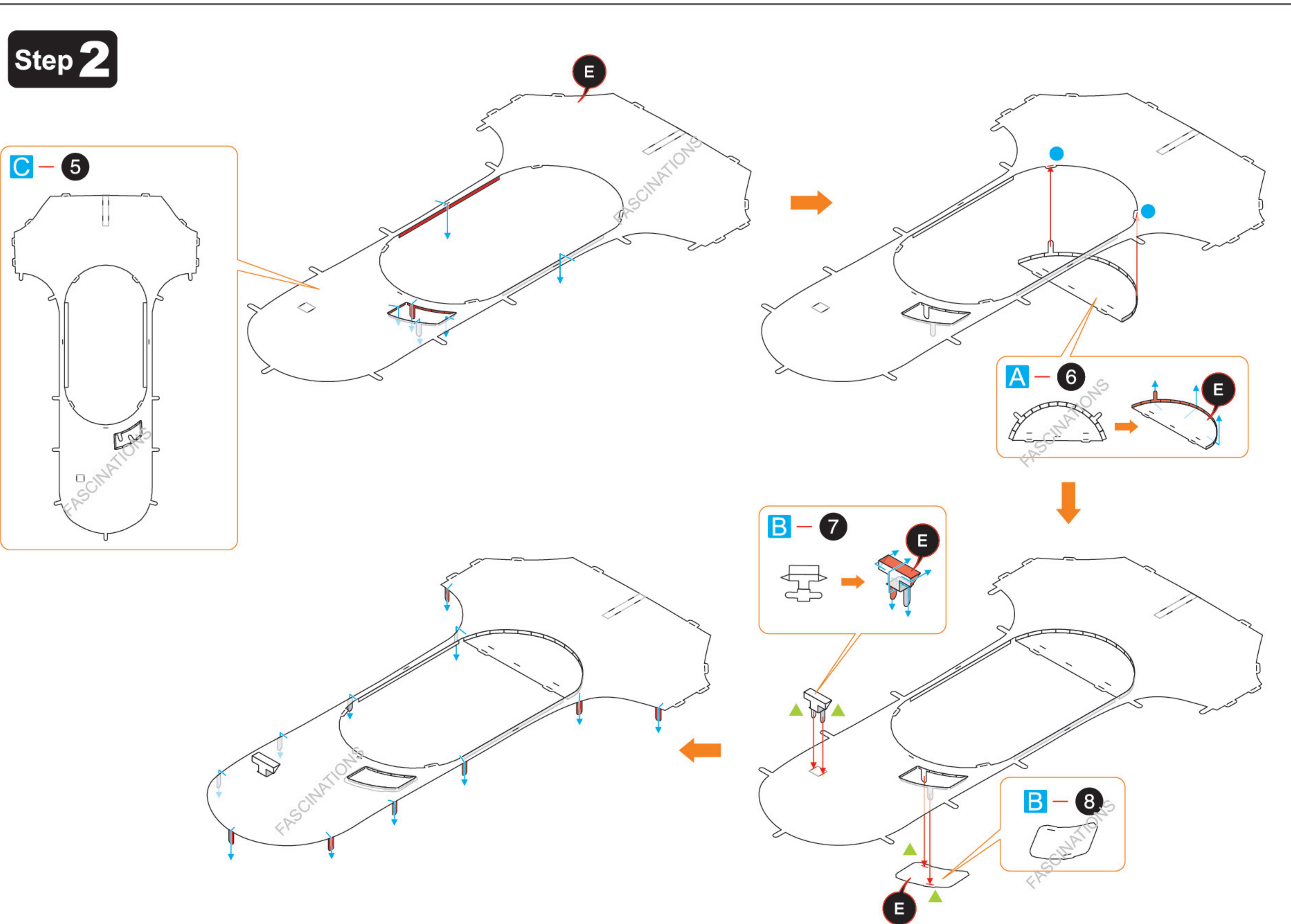


ASSEMBLY FLOW CHART

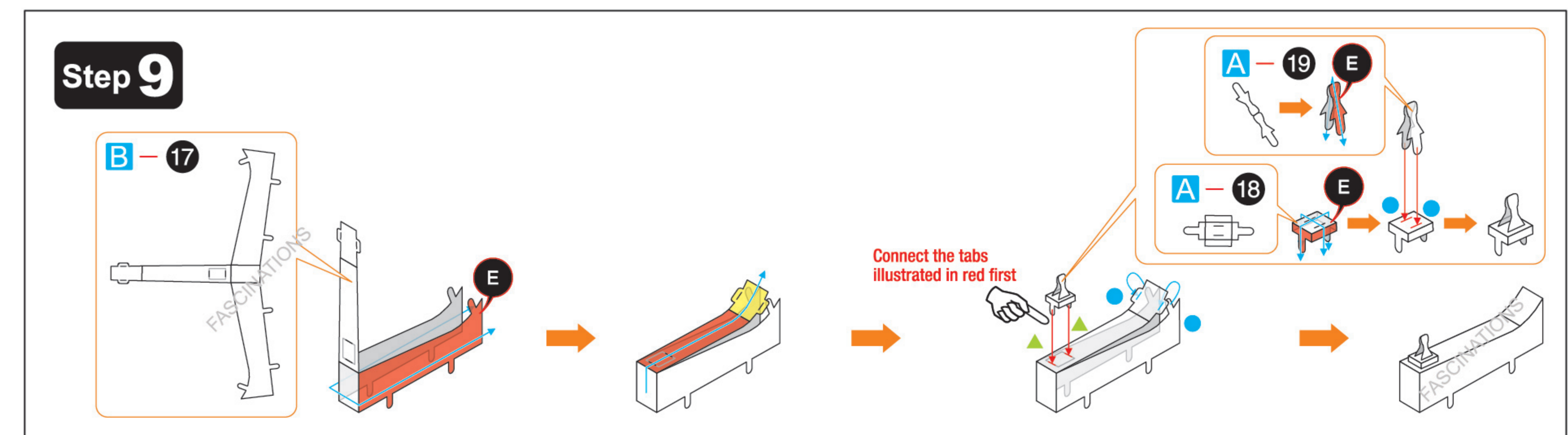
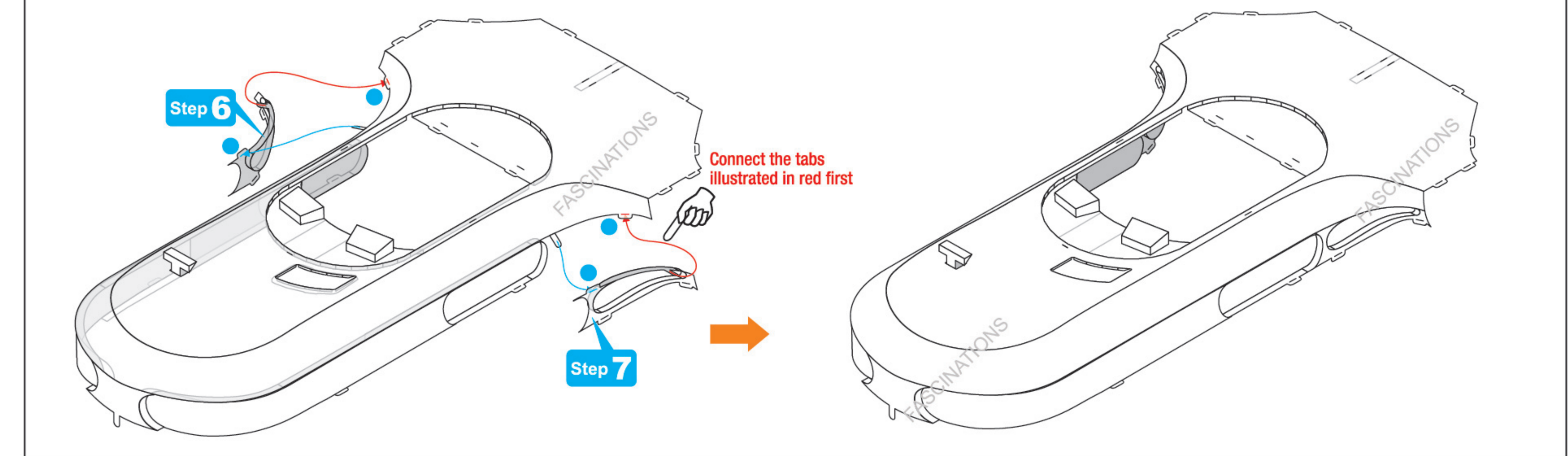
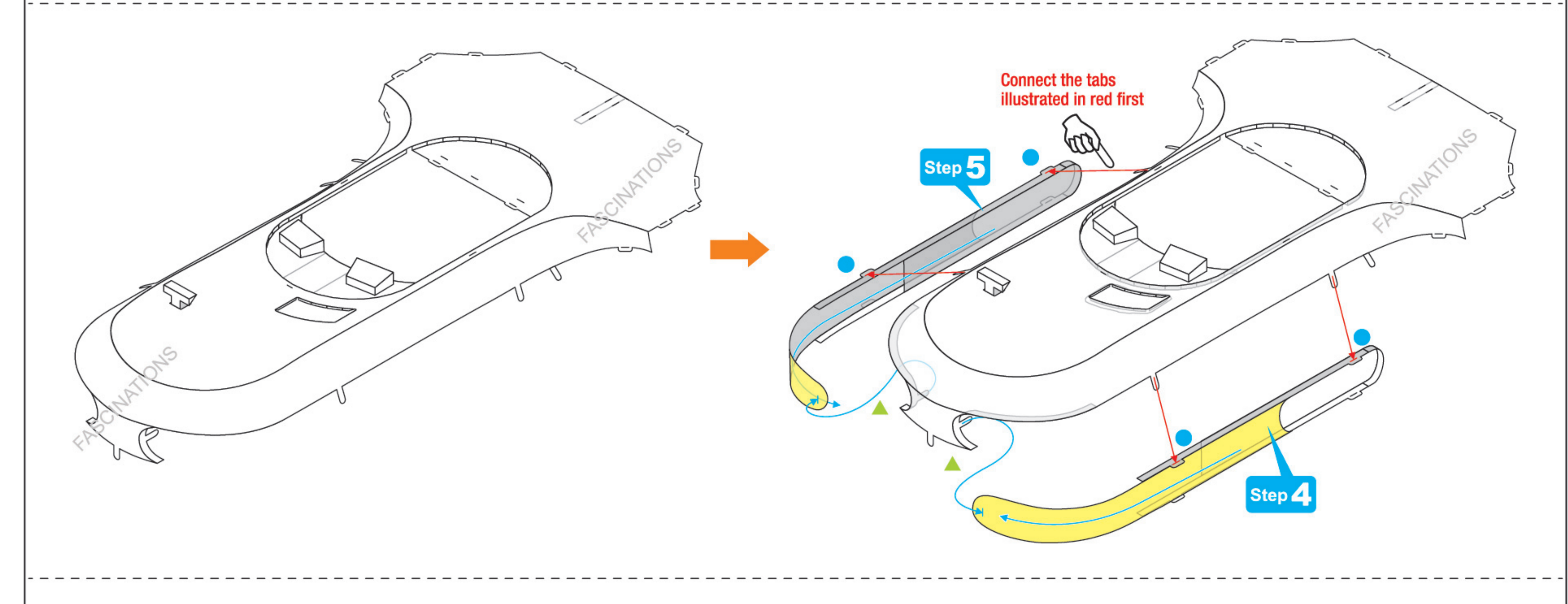
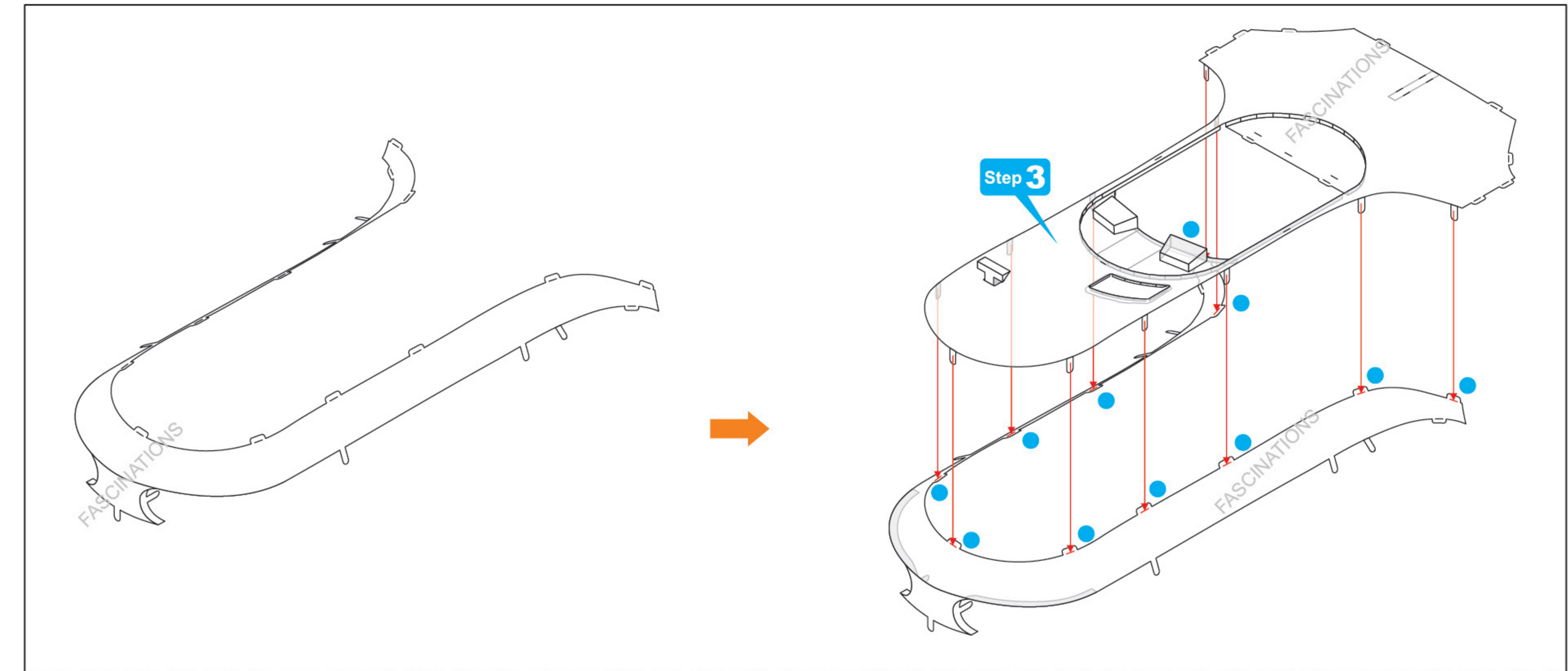
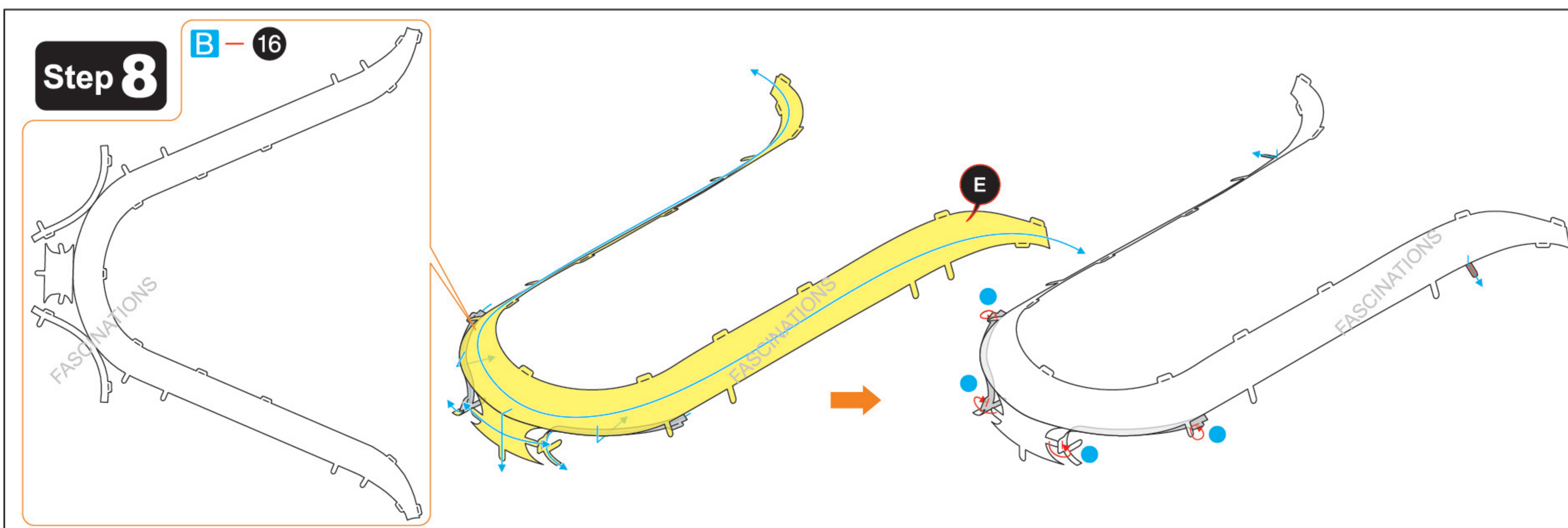
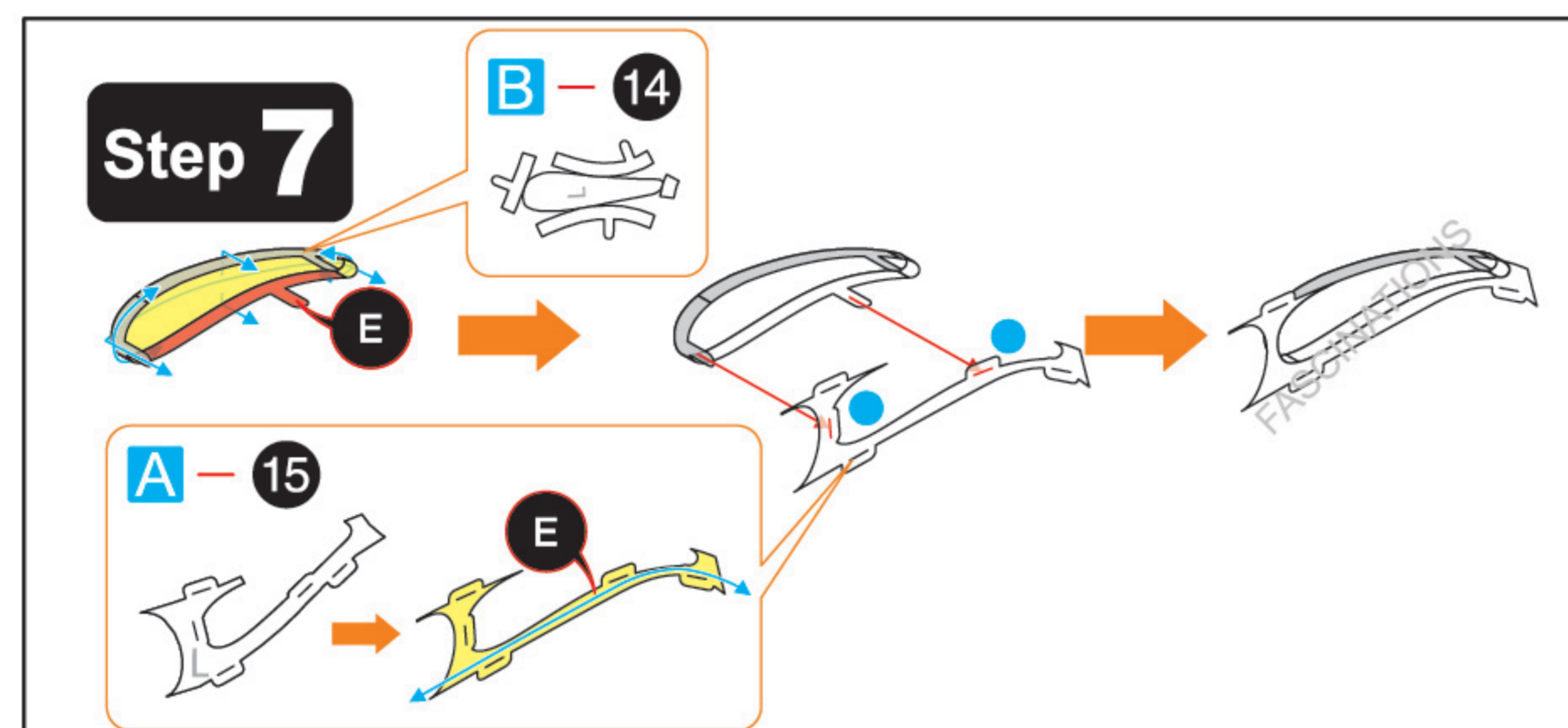
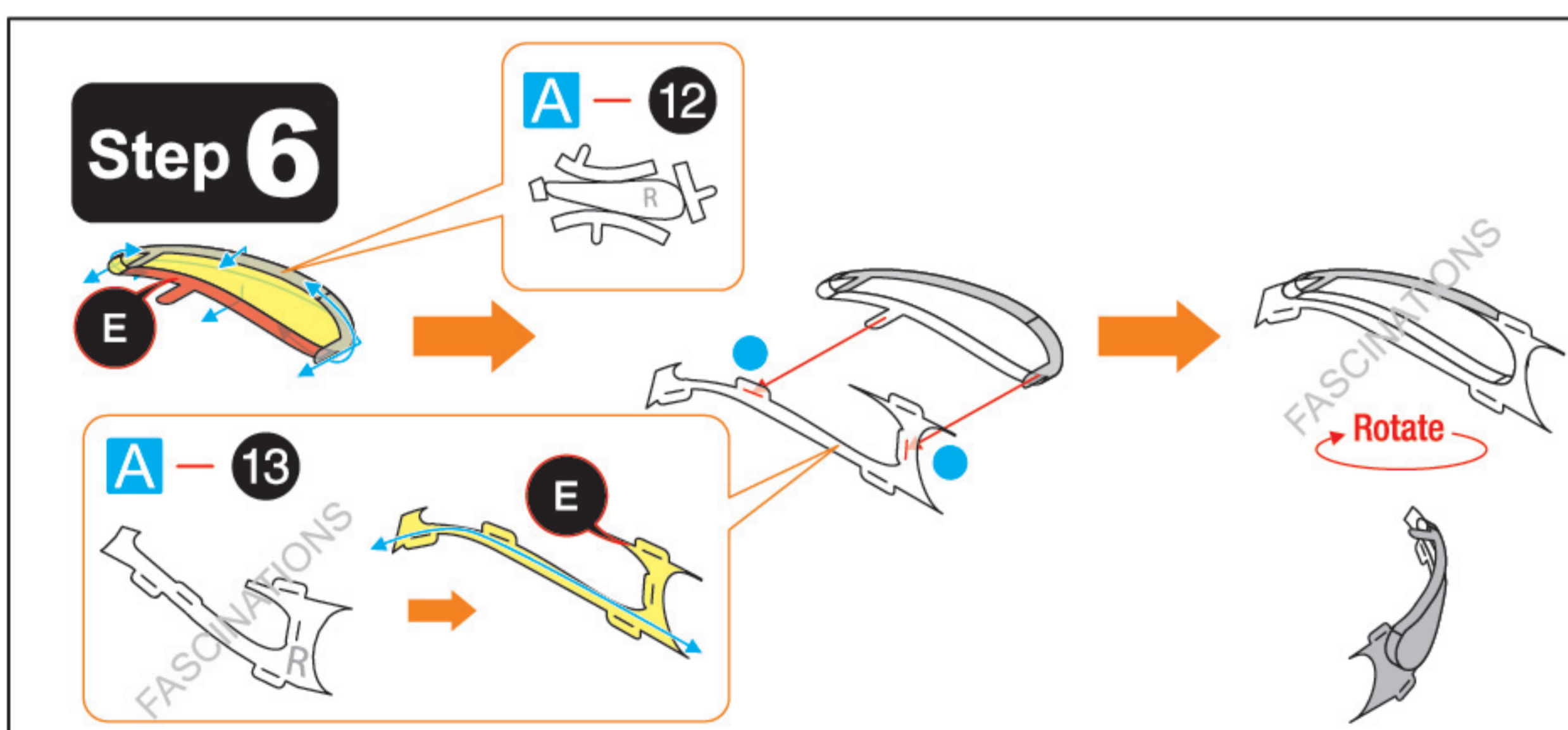
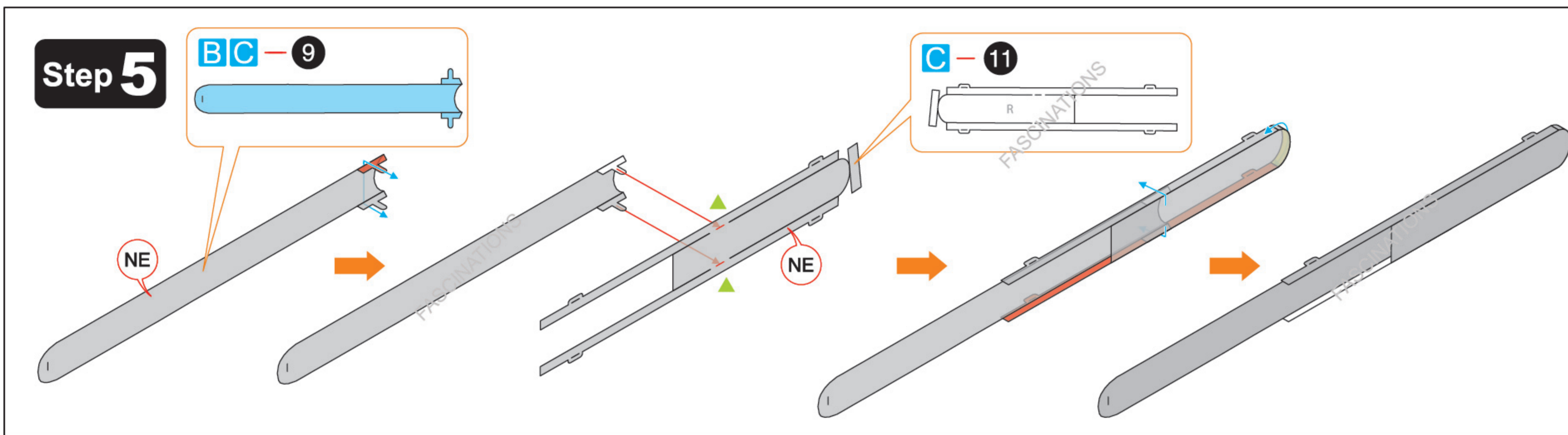
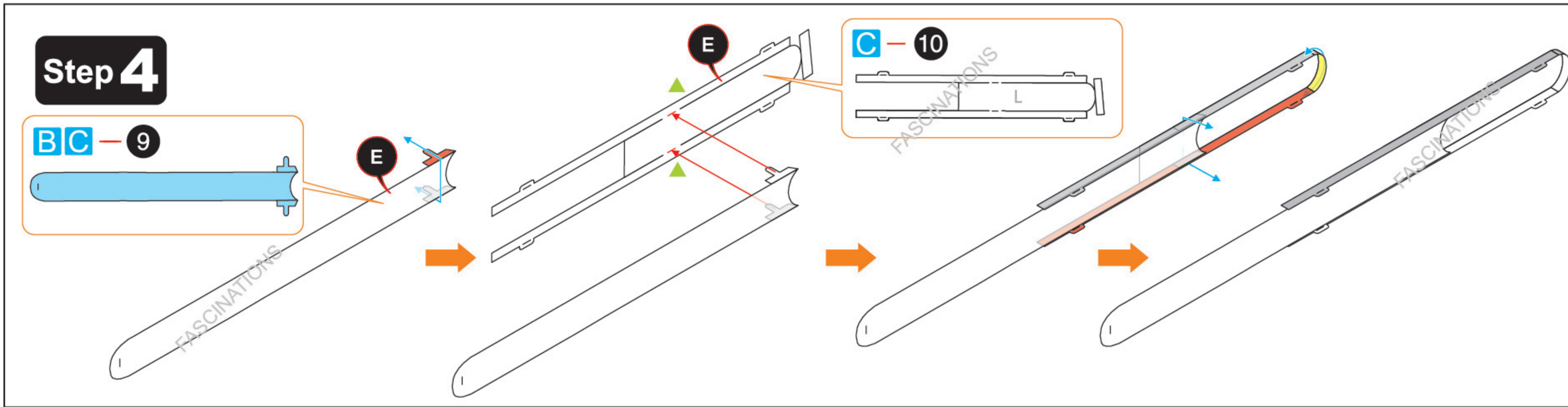
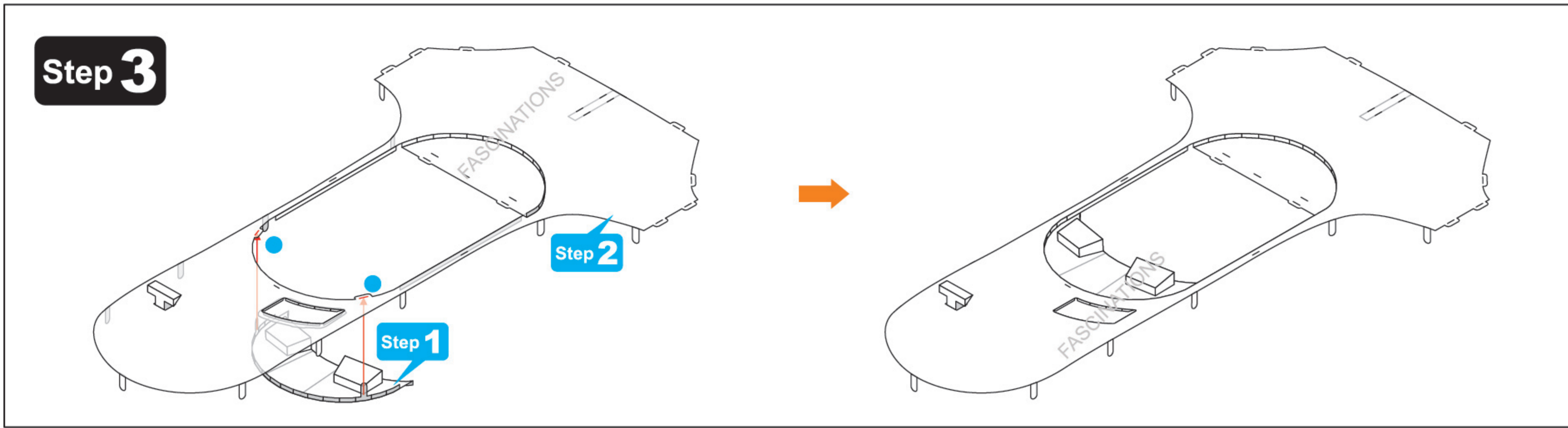
Step 1



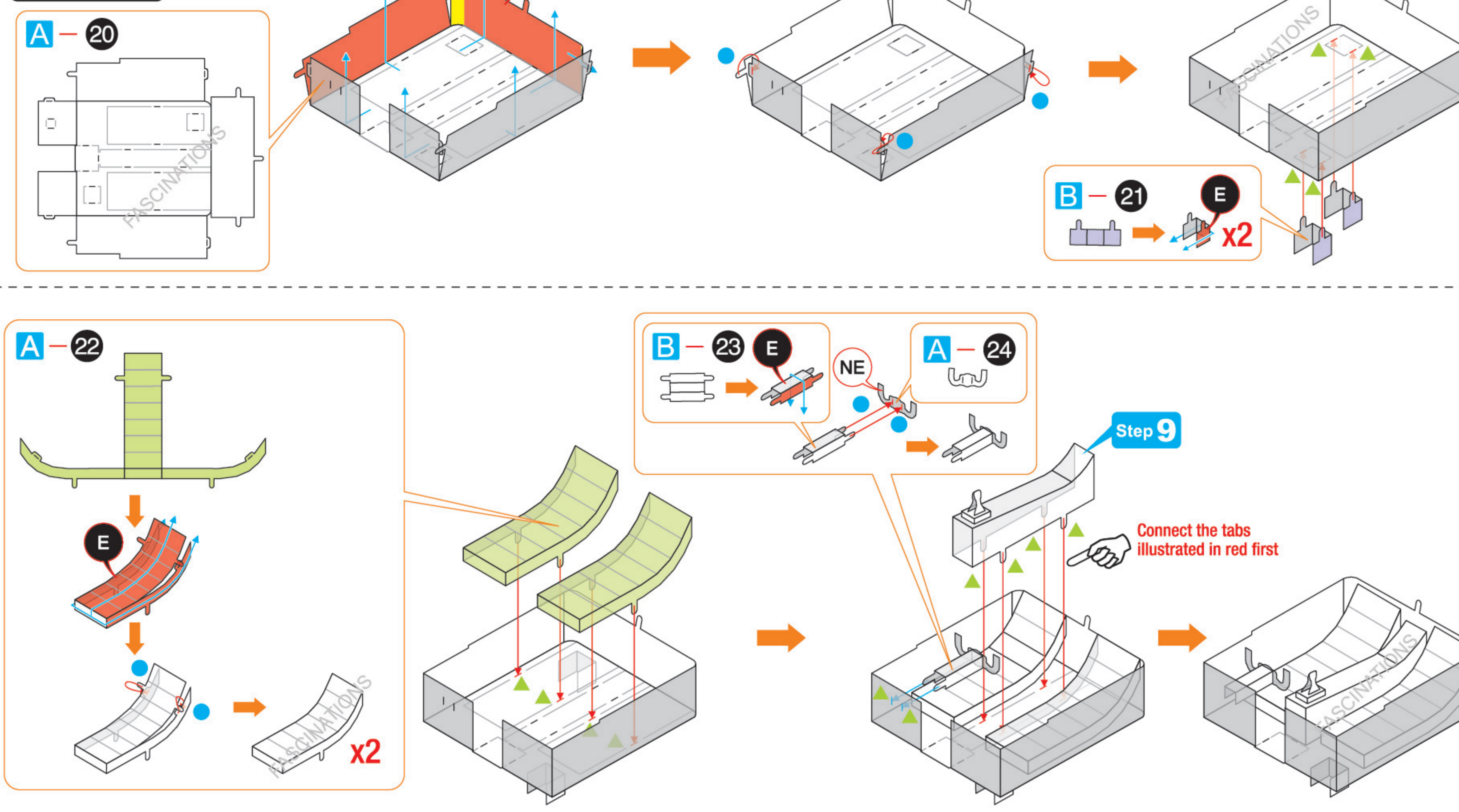
Step 2



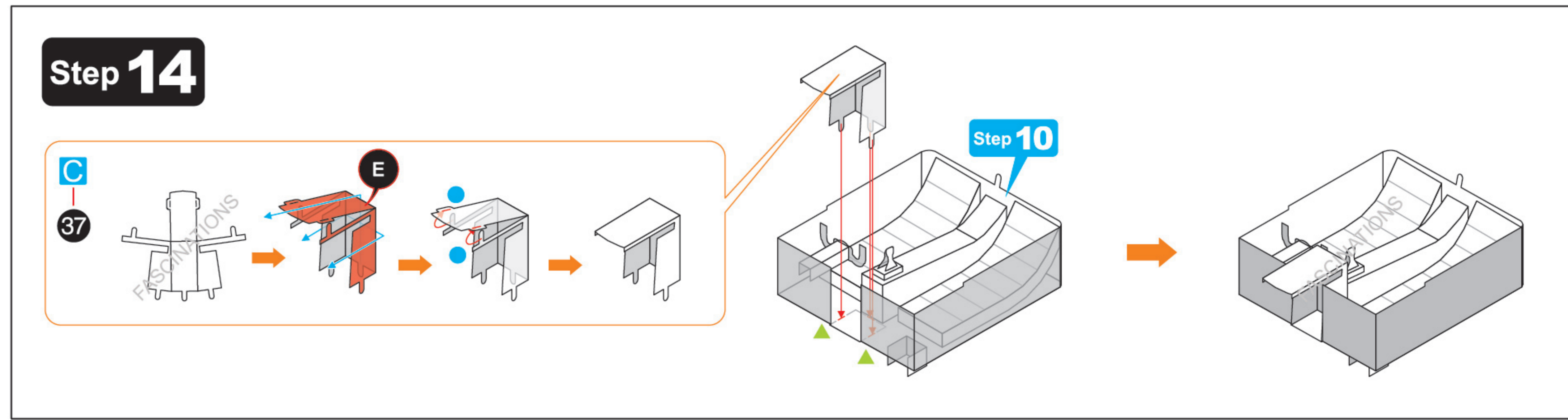
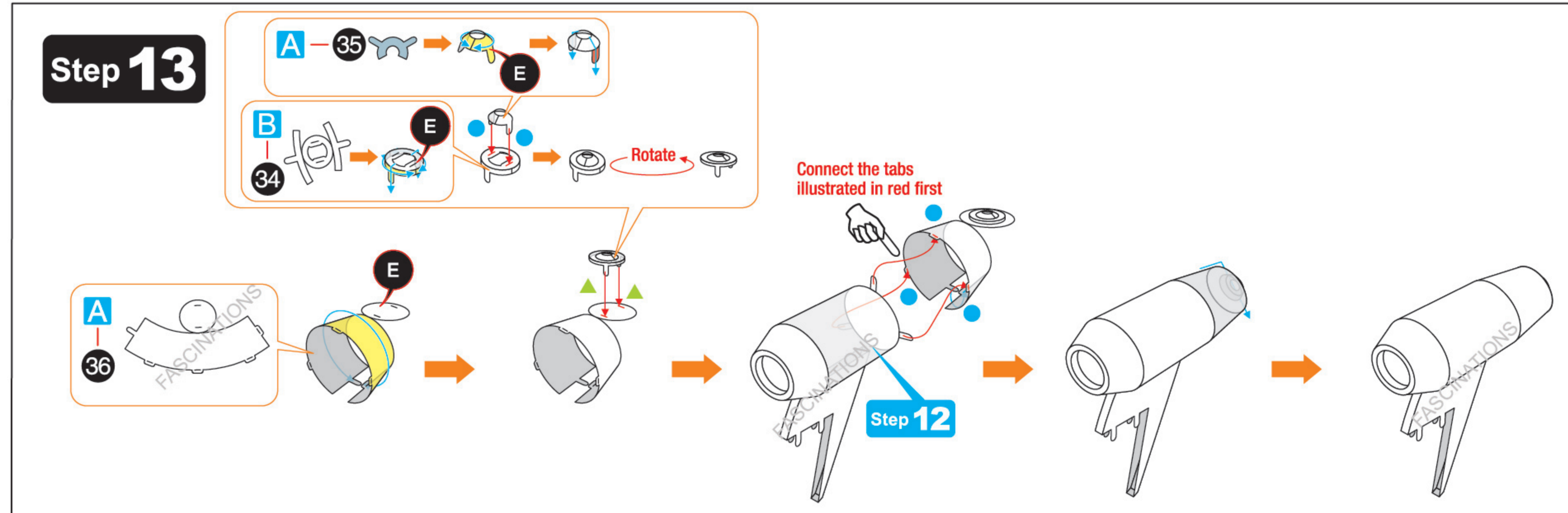
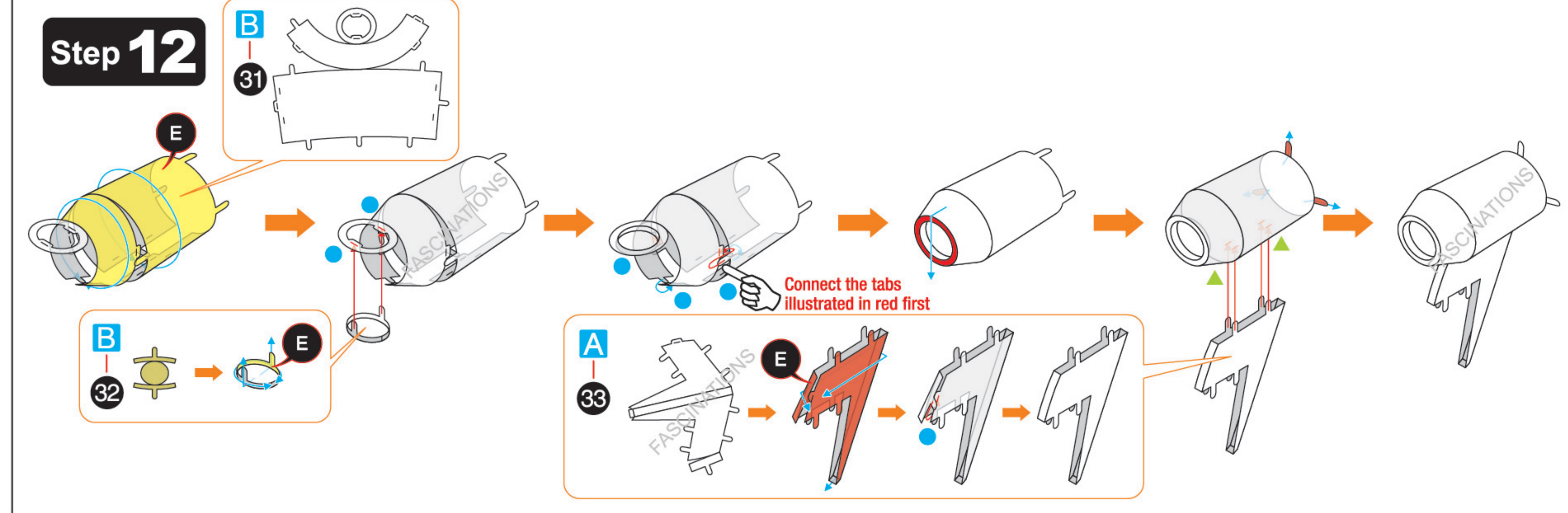
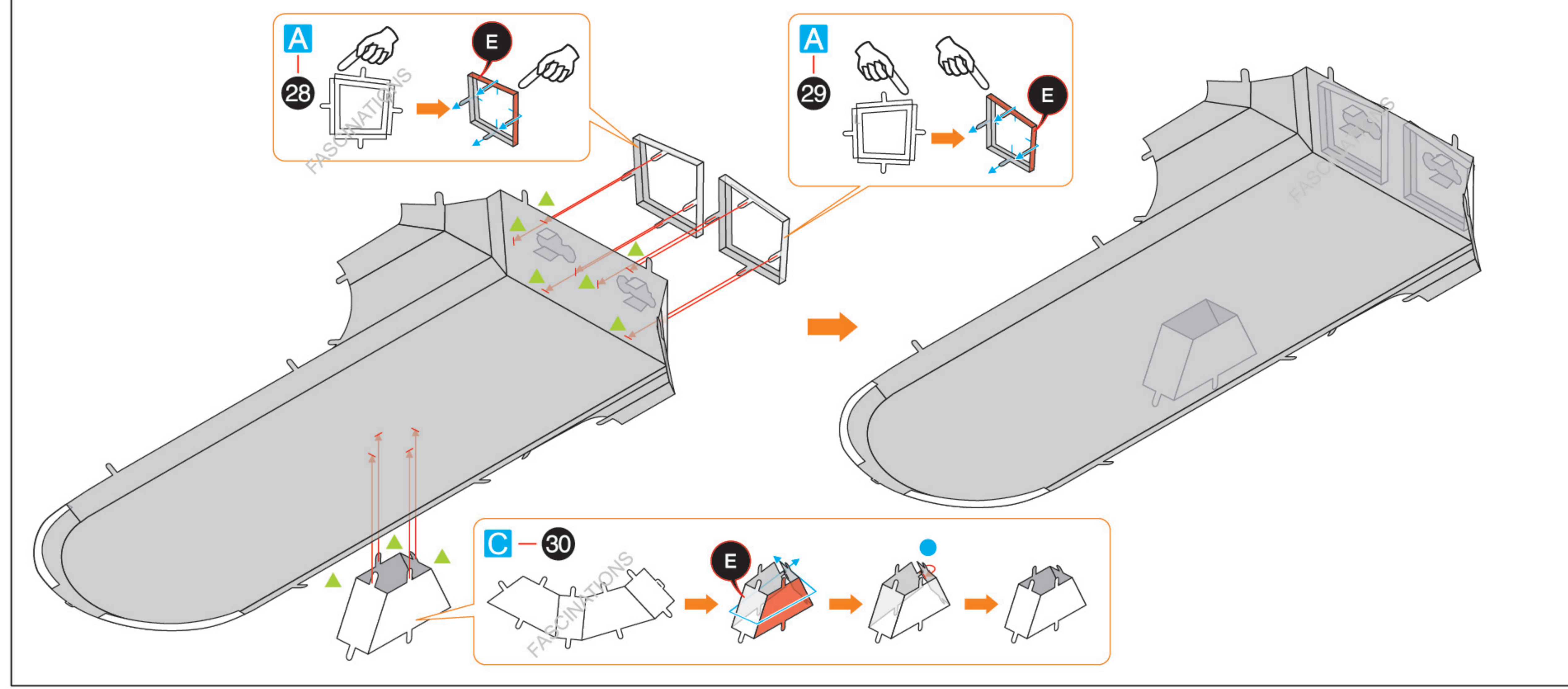
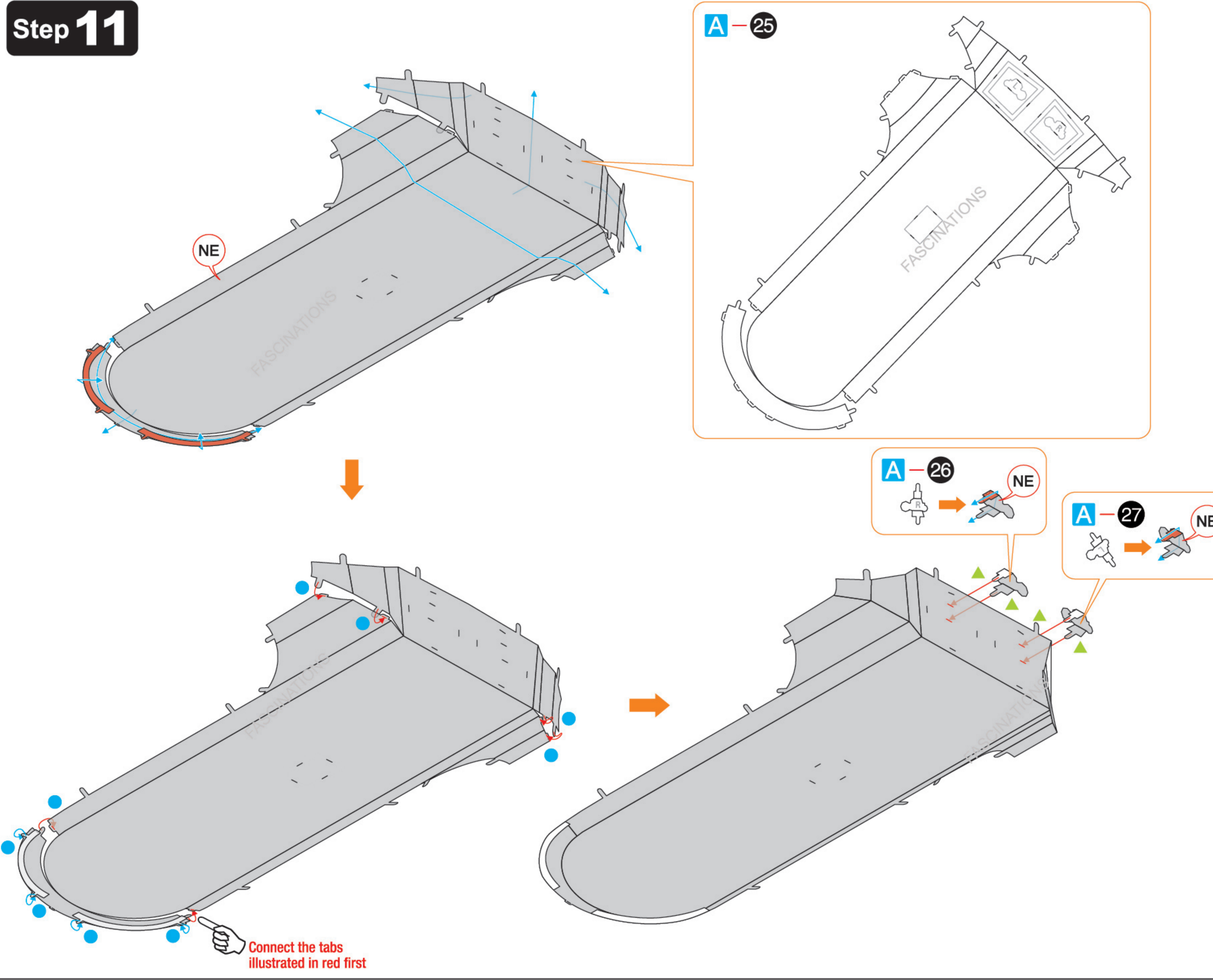
In order to avoid possible injury from sharp edges, please carefully discard the metal sheets after parts have been removed.



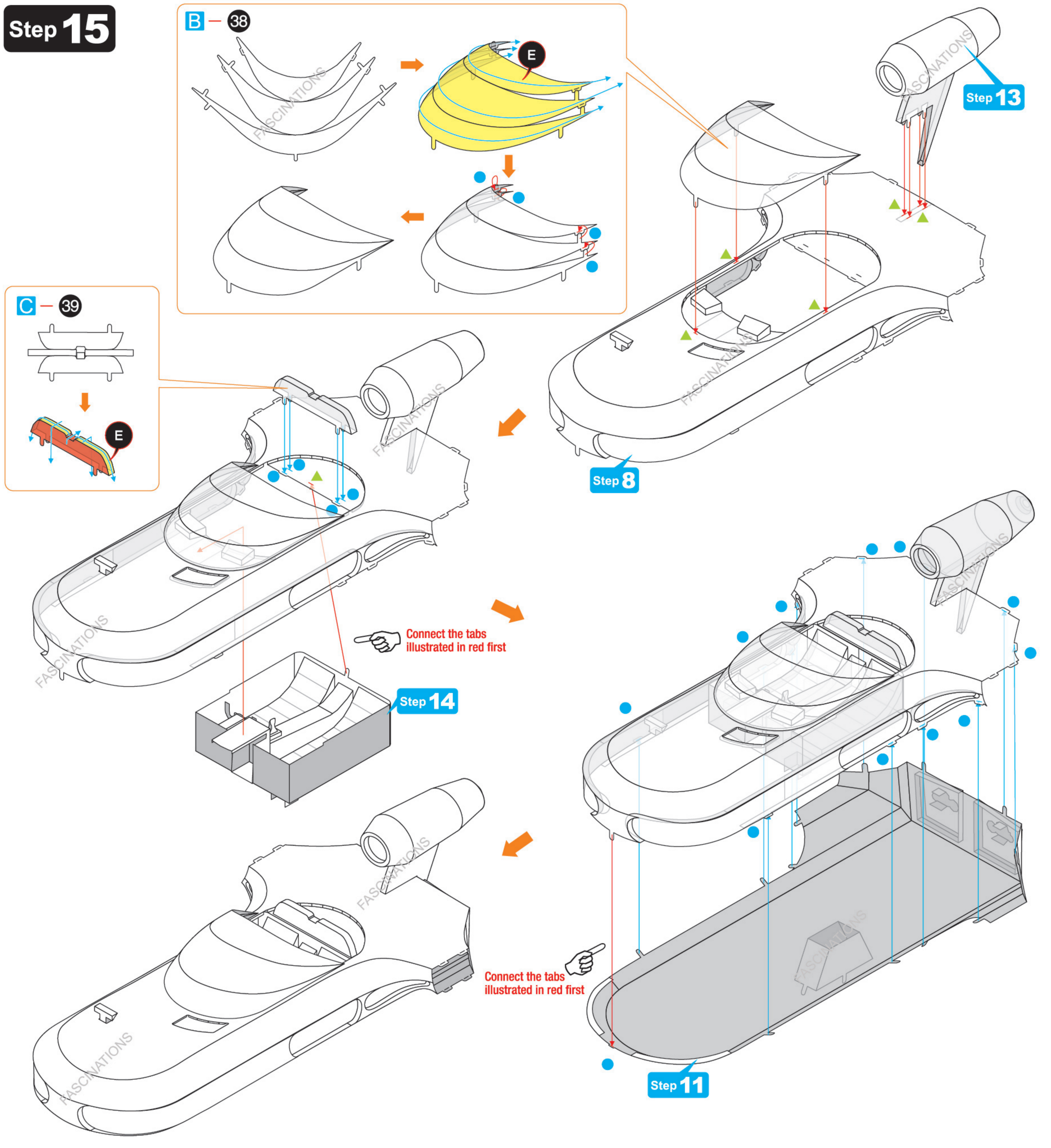
Step 10



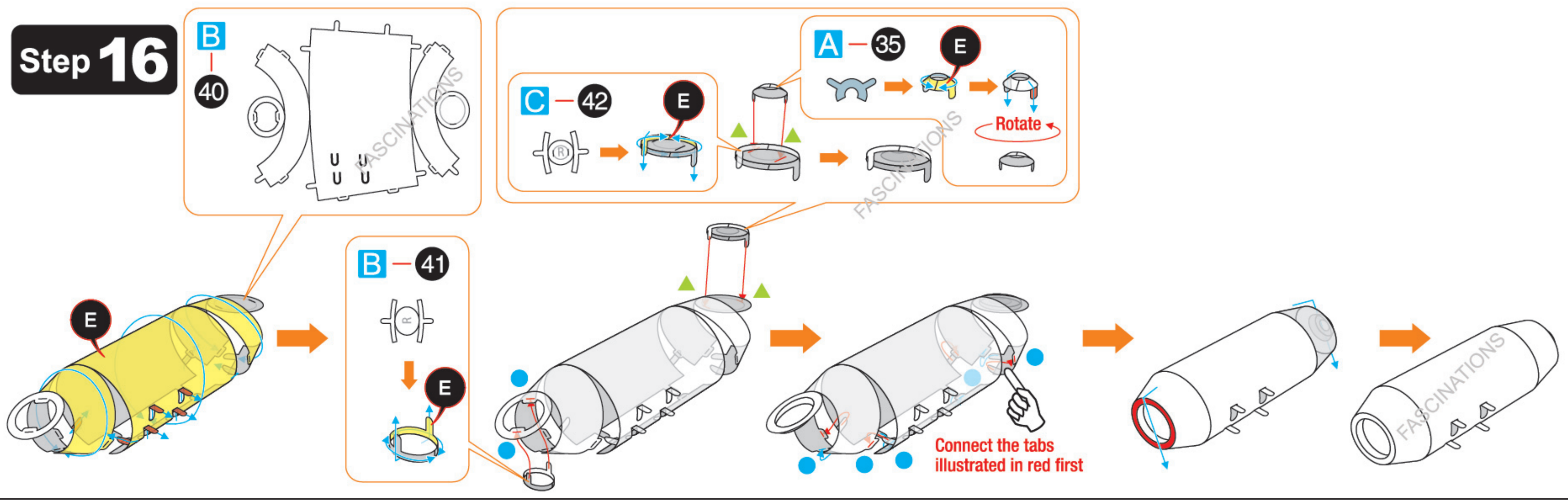
Step 11



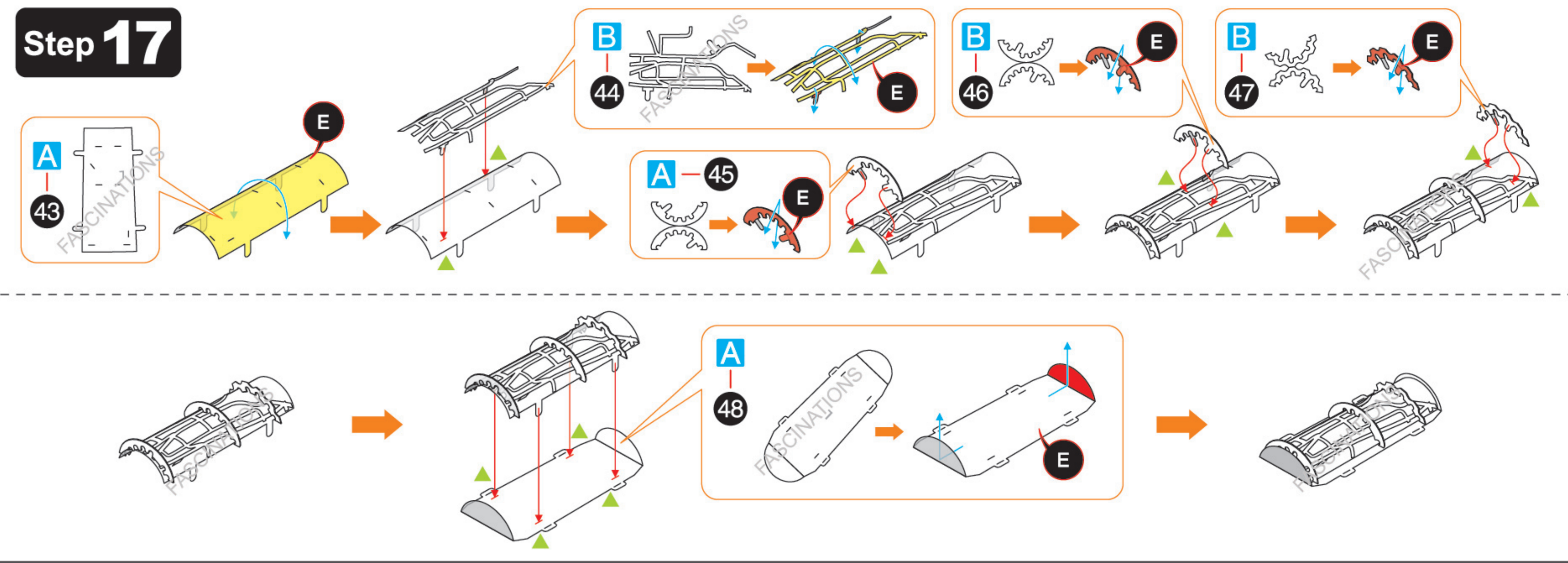
Step 15



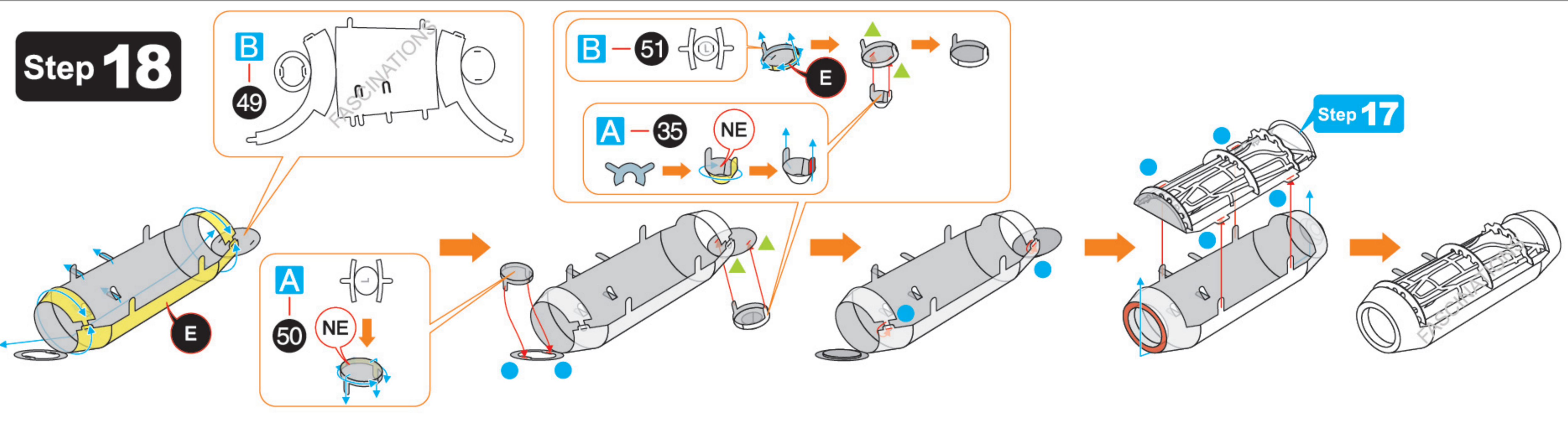
Step 16



Step 17



Step 18



Step 19

