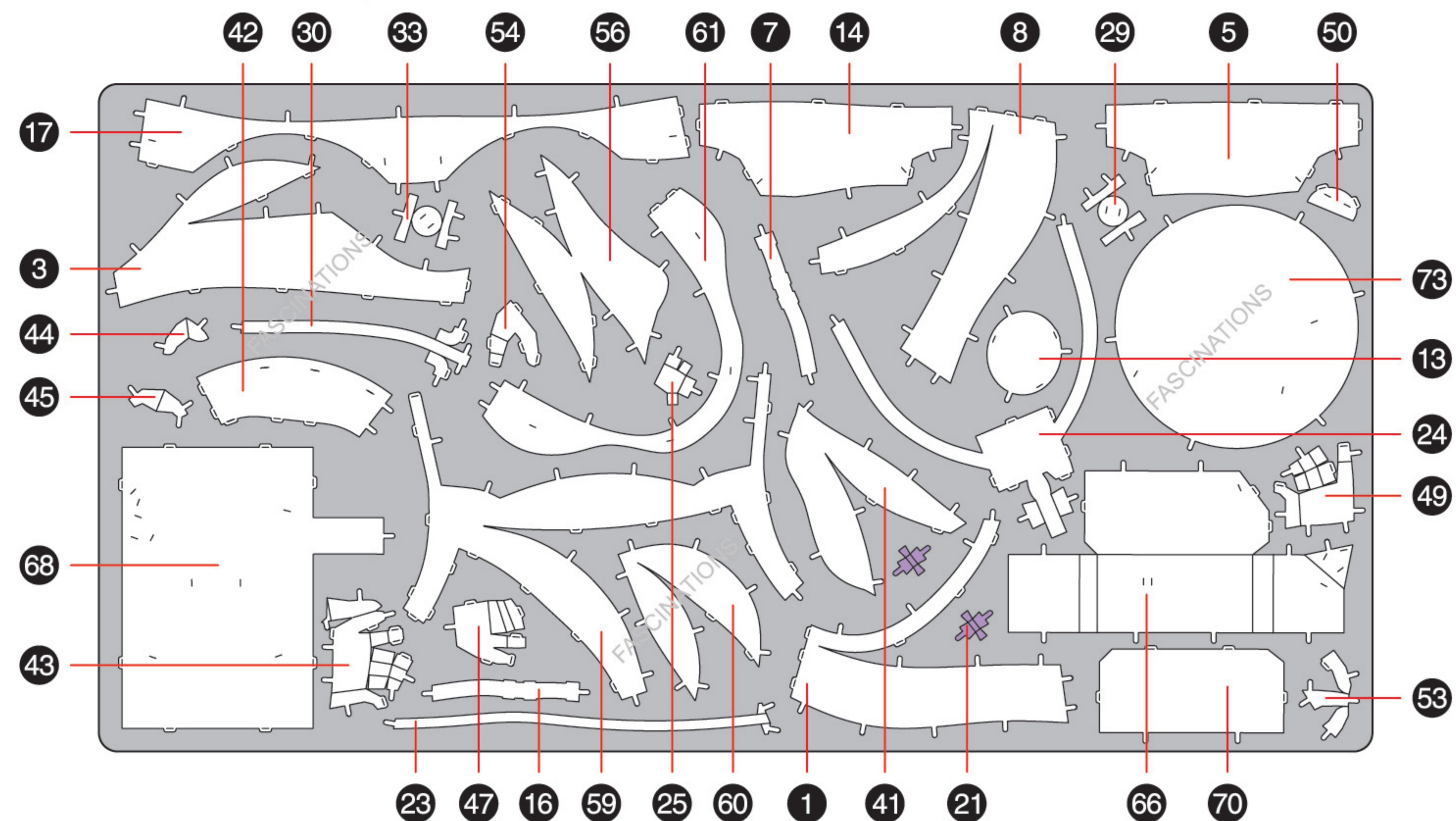


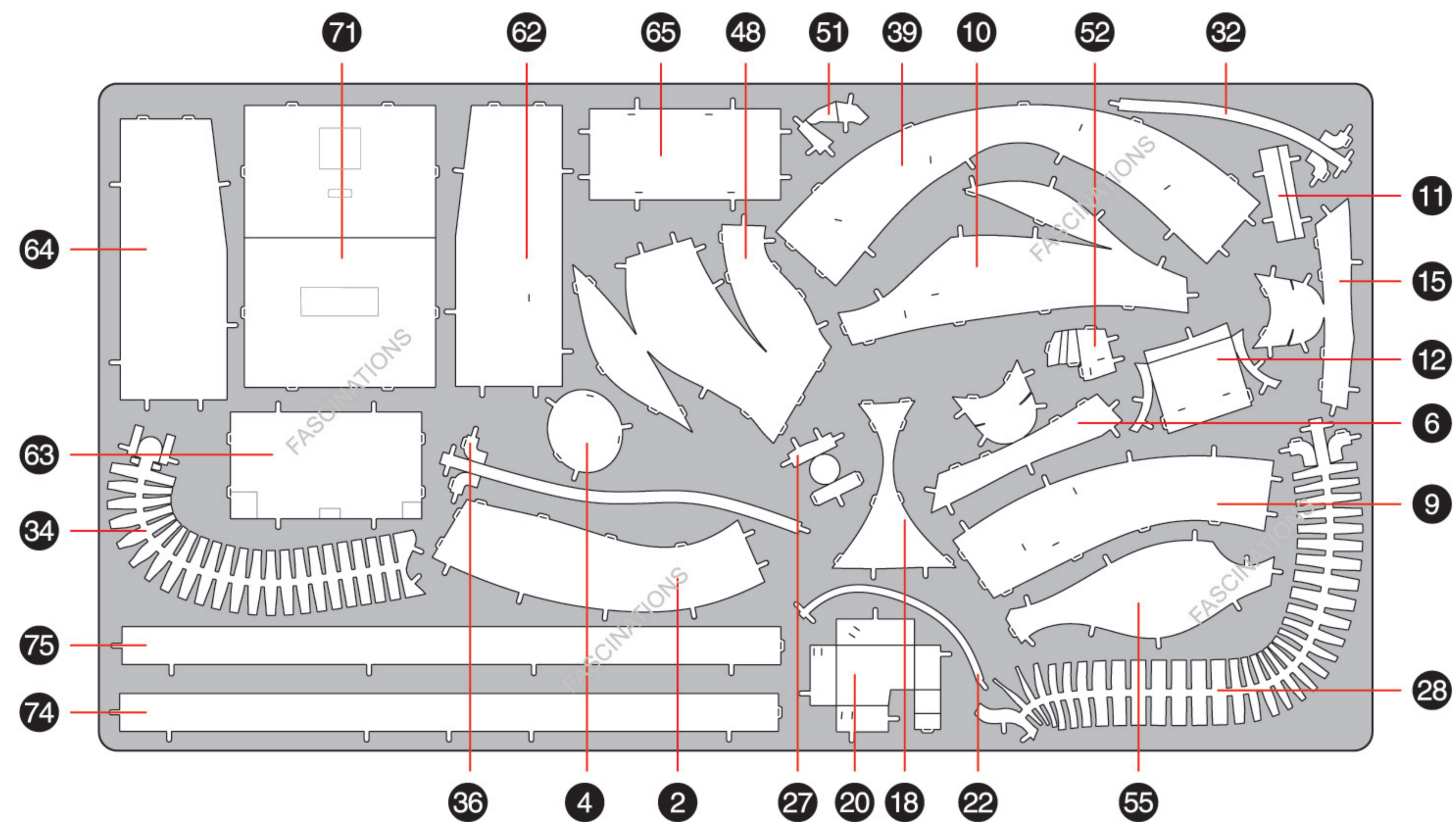
METAL SHEETS

Parts with same color are duplicates

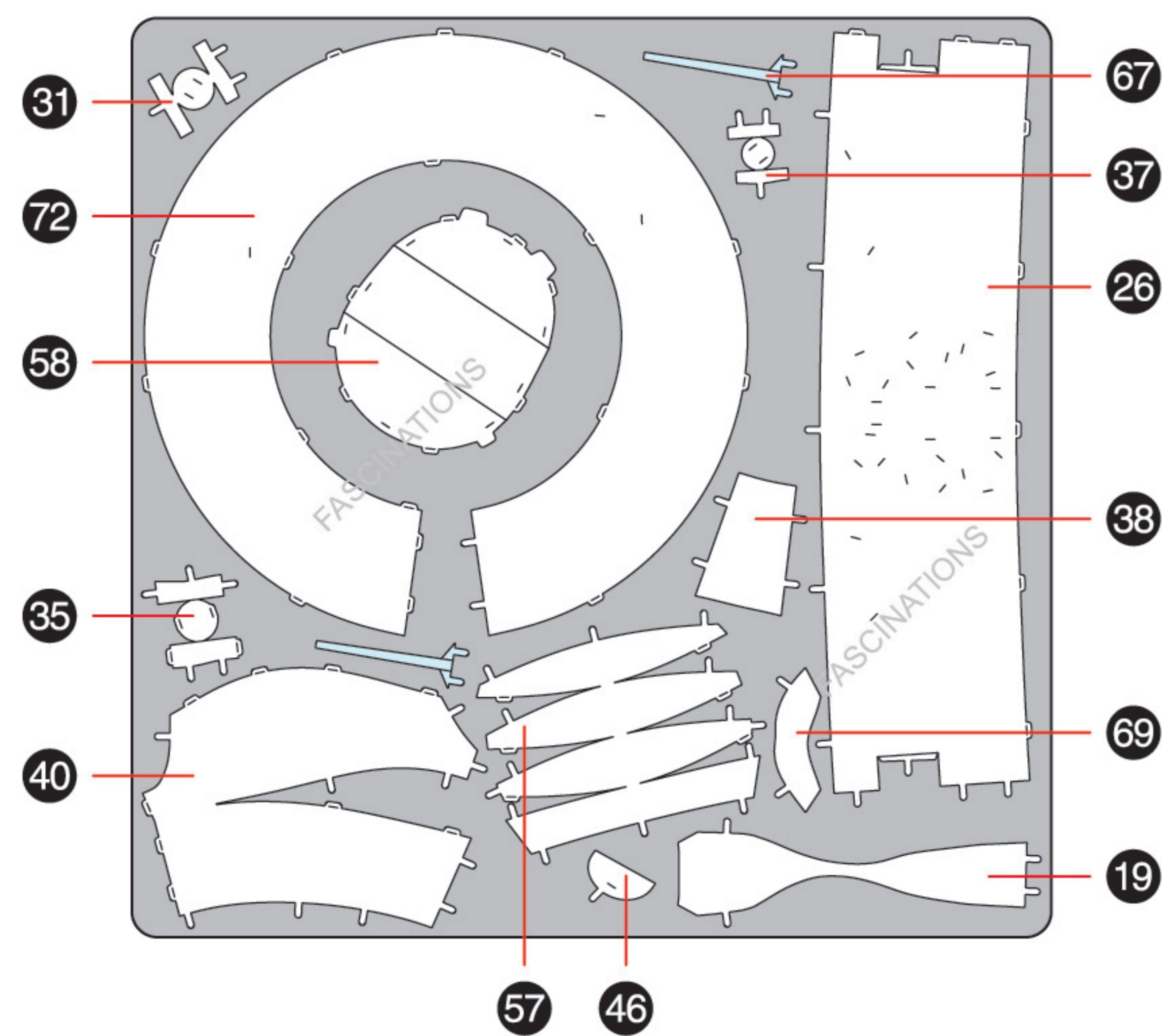
A



B



C



Metal Earth

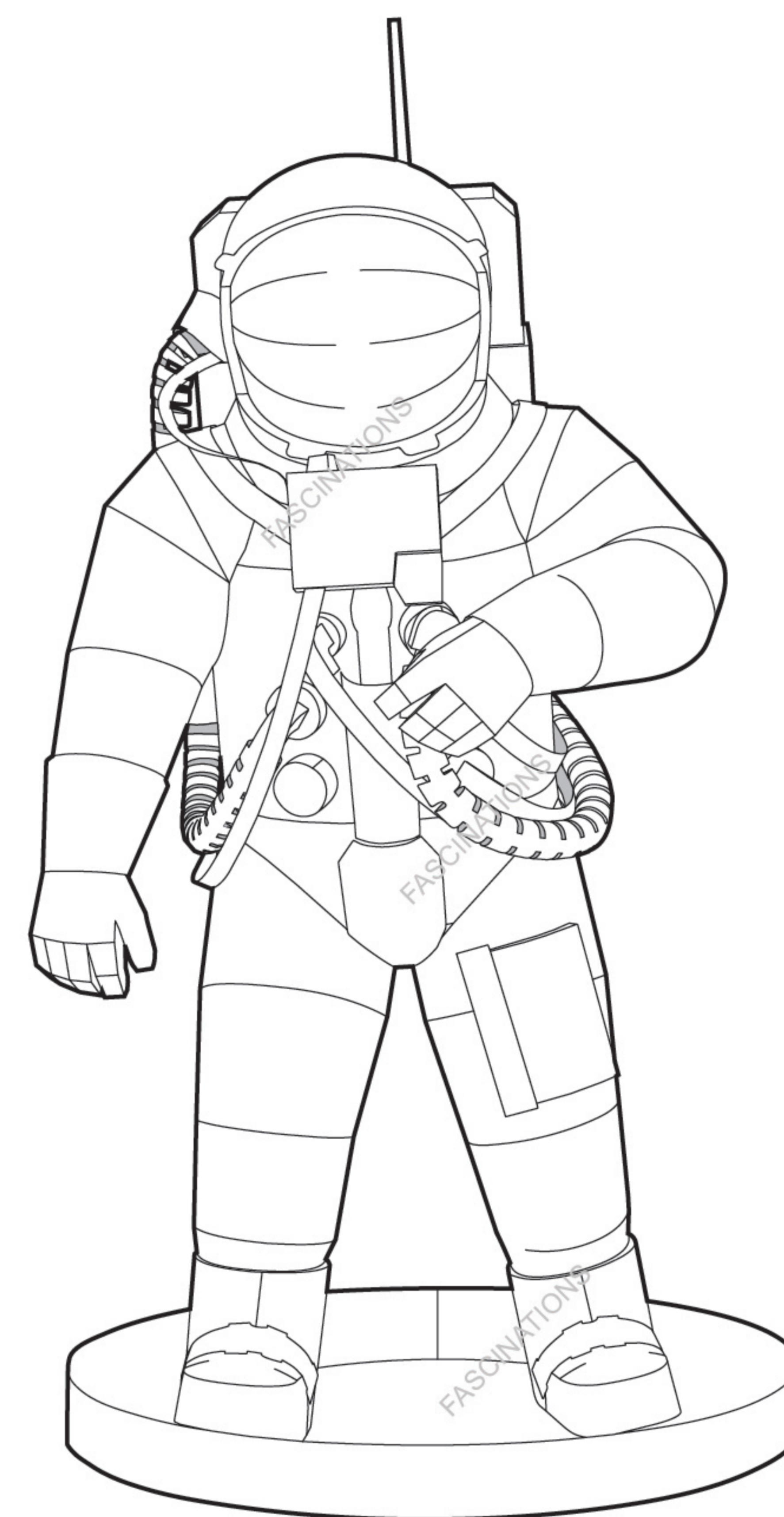
360° view



It is highly recommended that you visit www.metalearth.com/360/PS2016 to see the completed model before assembling your own

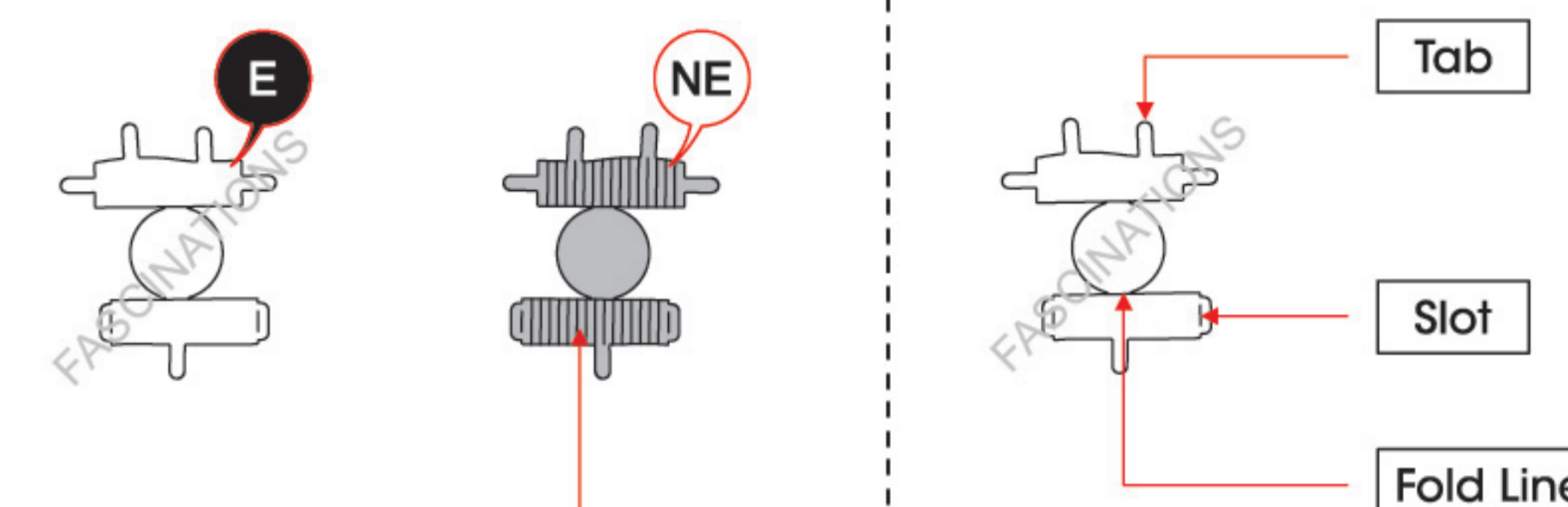
Premium Series

PS2016 APOLLO 11 ASTRONAUT



TO CREATE THE BEST CONNECTIONS

B - 27



Consider these engraved stripes as supporting features for the bend

Legends:

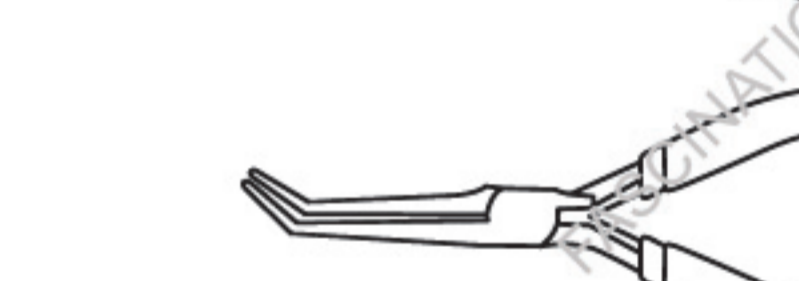
- E** Engraved/ Color side
- NE** Non - engraved/ Silver side
- Attention point
- Insert tab and bend 90 degrees
- Insert tab and twist 90 degrees

Recommended tools:

- Wire cutters: helpful for taking parts from the metal sheets.



- Tweezers or needle nose pliers: helpful for folding parts, bending and twisting tabs.



Assembly tip:

If needed, slightly twist tabs to hold parts together then untwist and bend them down for a nice finish.

Yellow areas should be curled

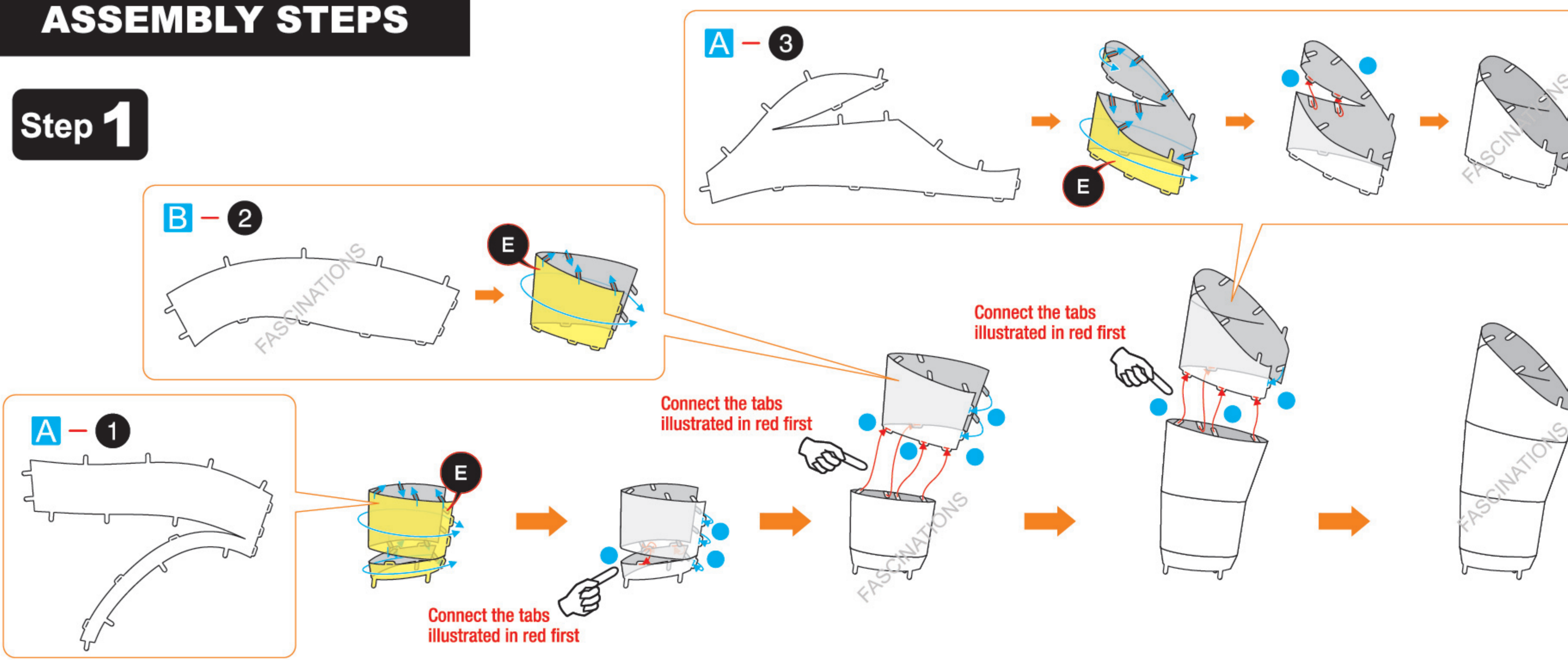
Red areas should be folded



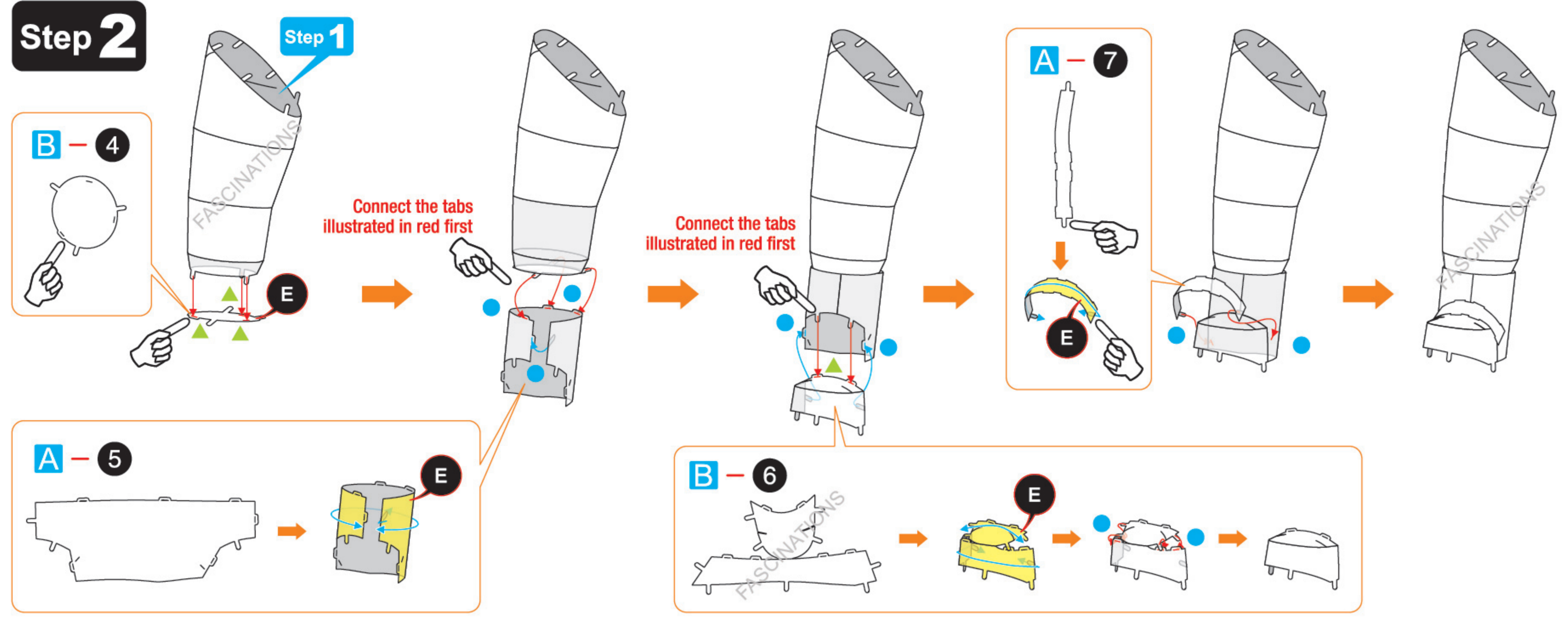
In order to avoid possible injury from sharp edges, please carefully discard the metal sheets after parts have been removed.

ASSEMBLY STEPS

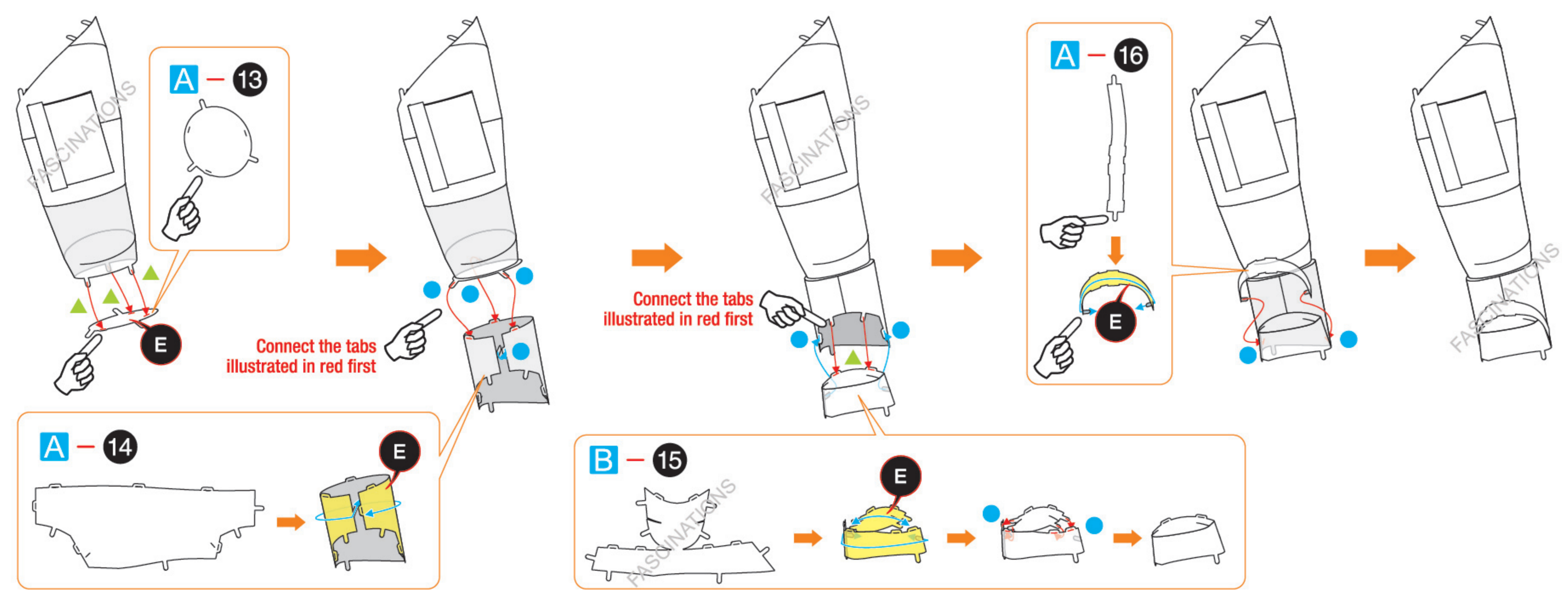
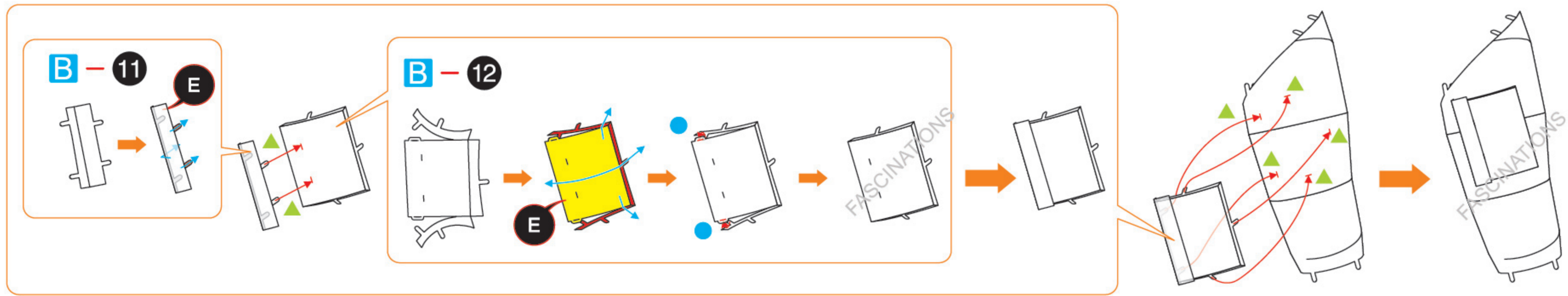
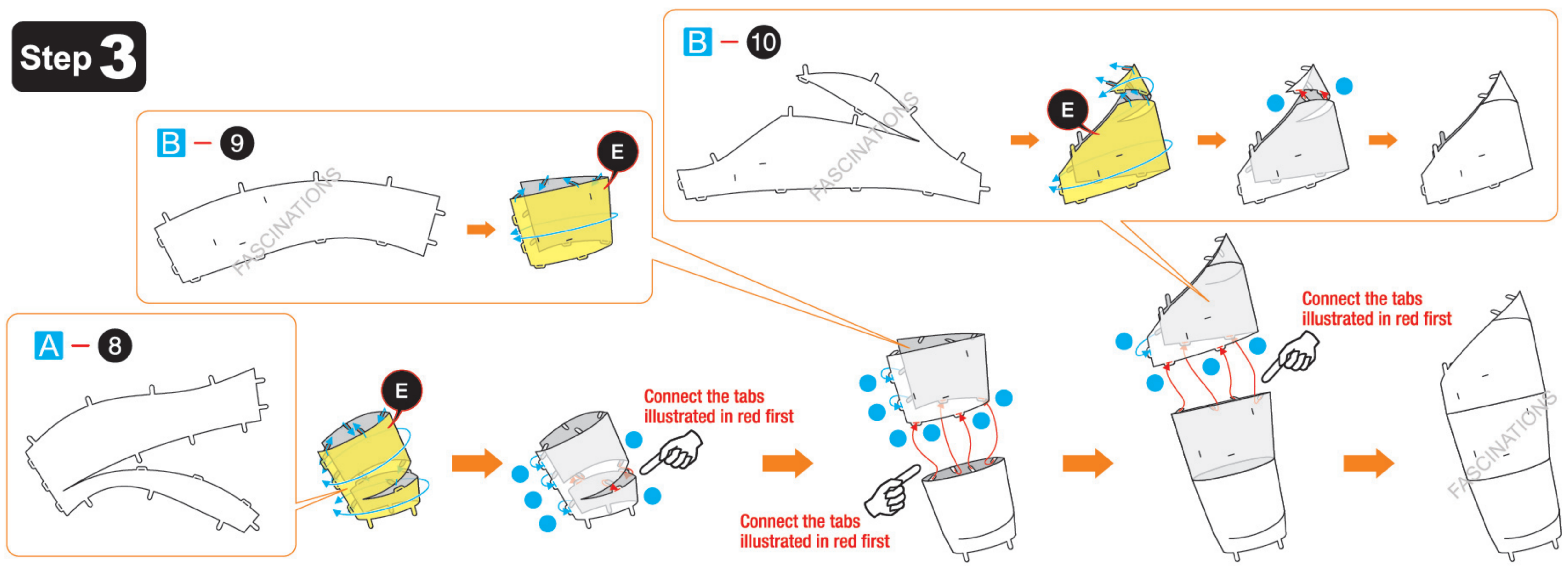
Step 1



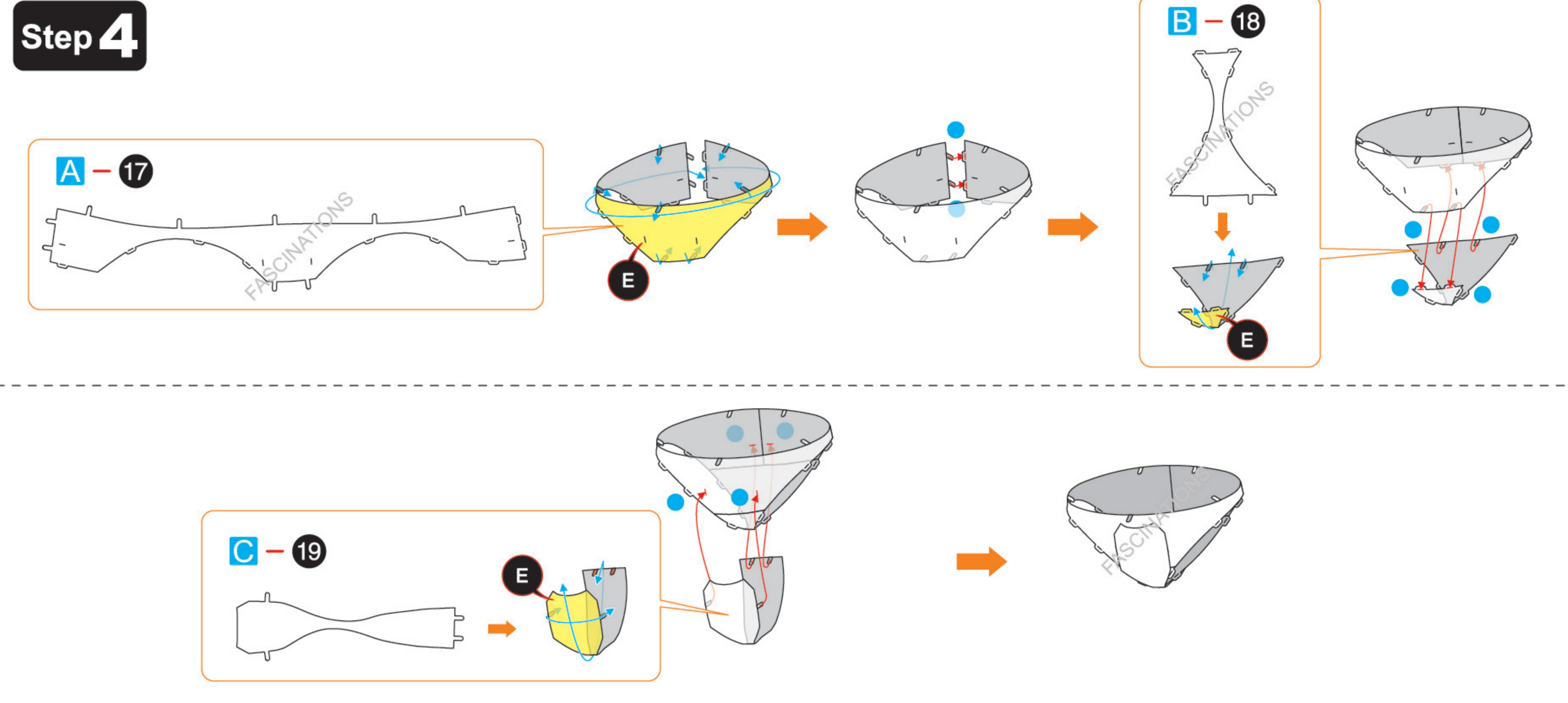
Step 2



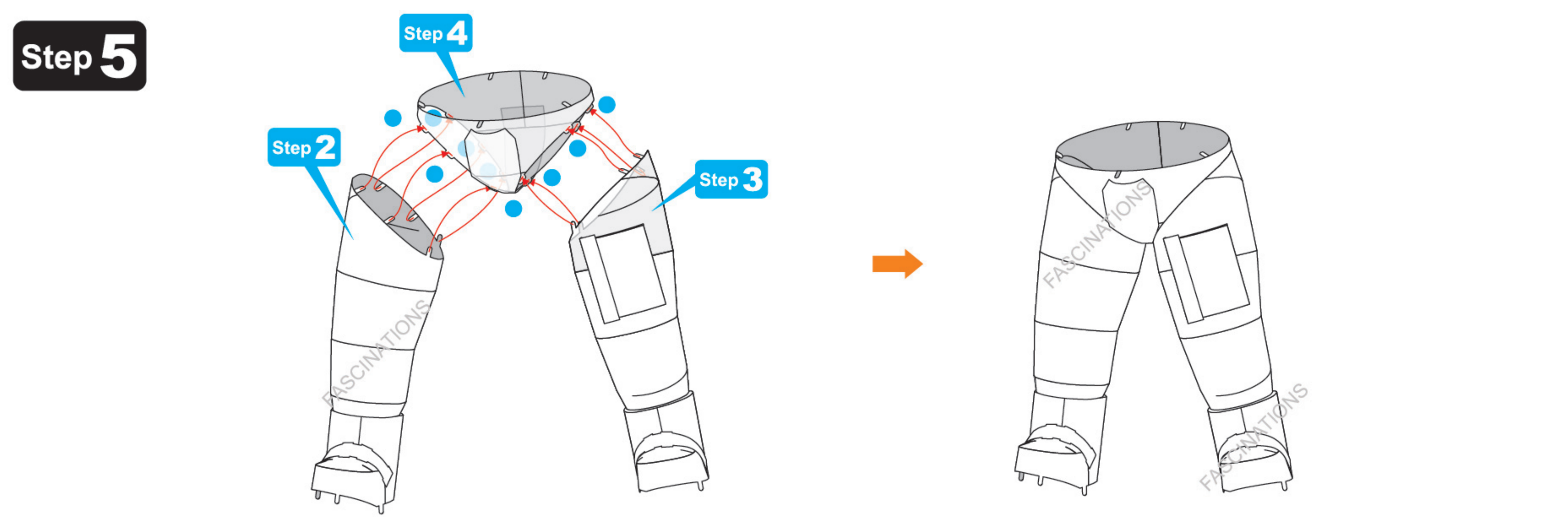
Step 3



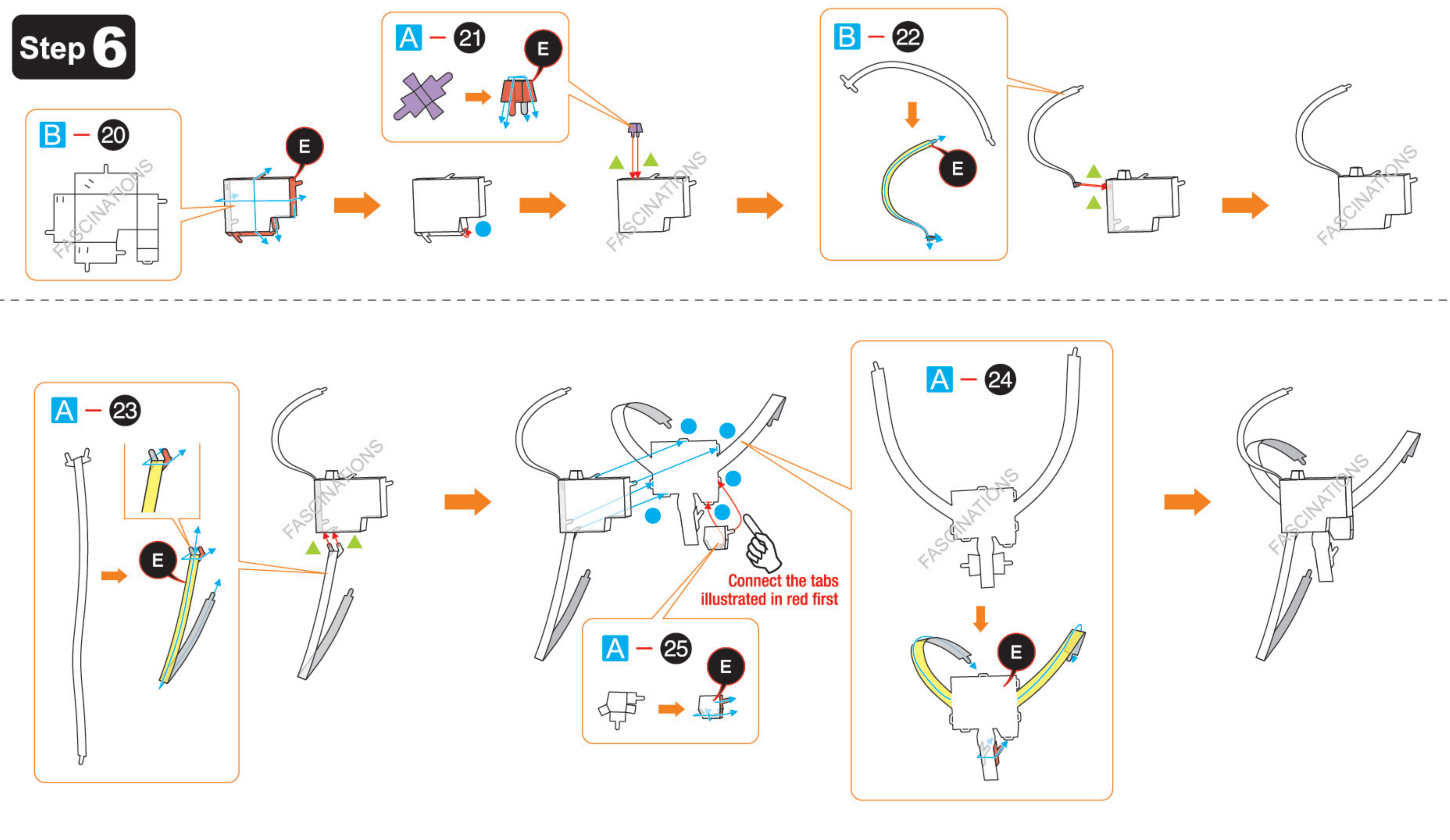
Step 4



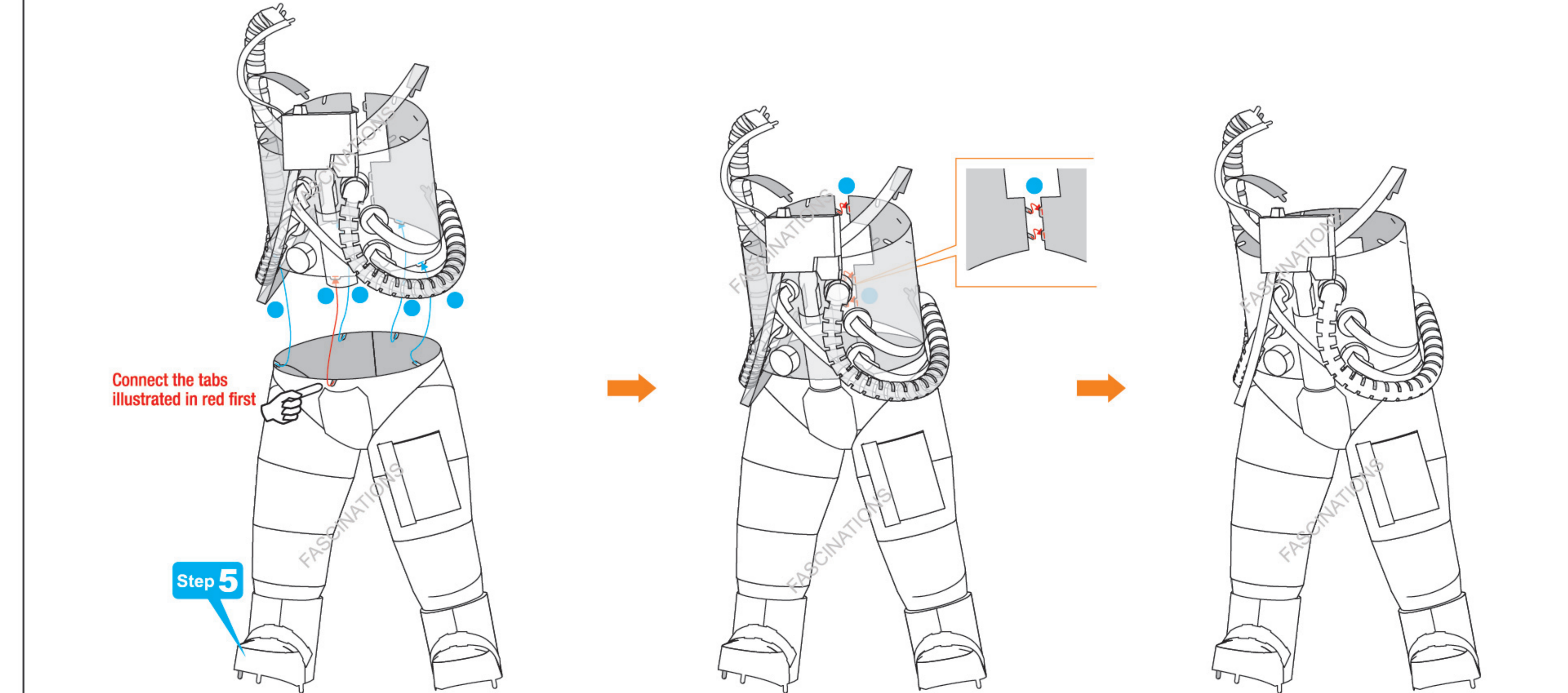
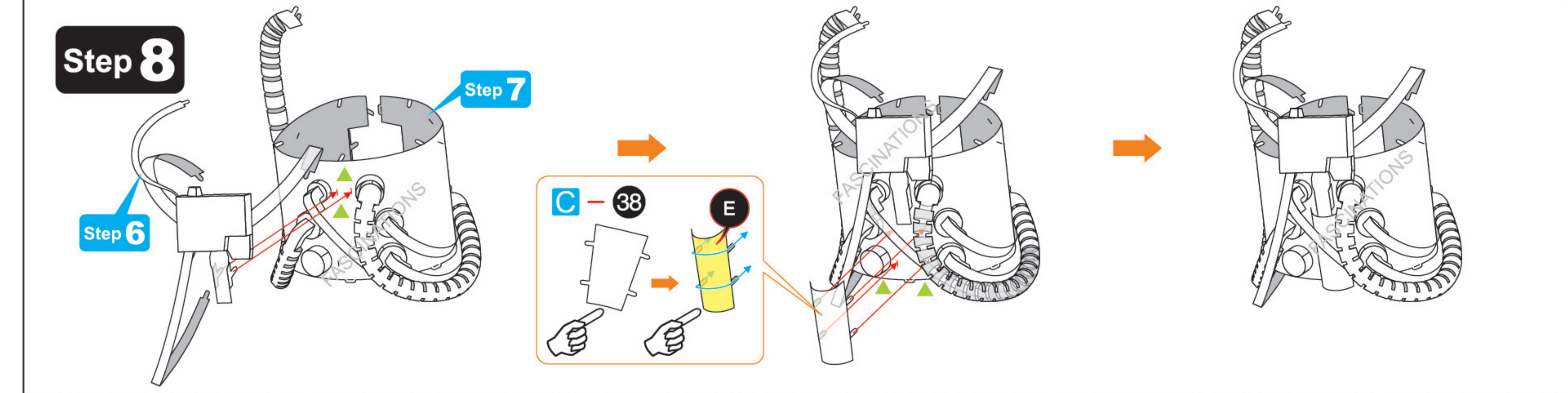
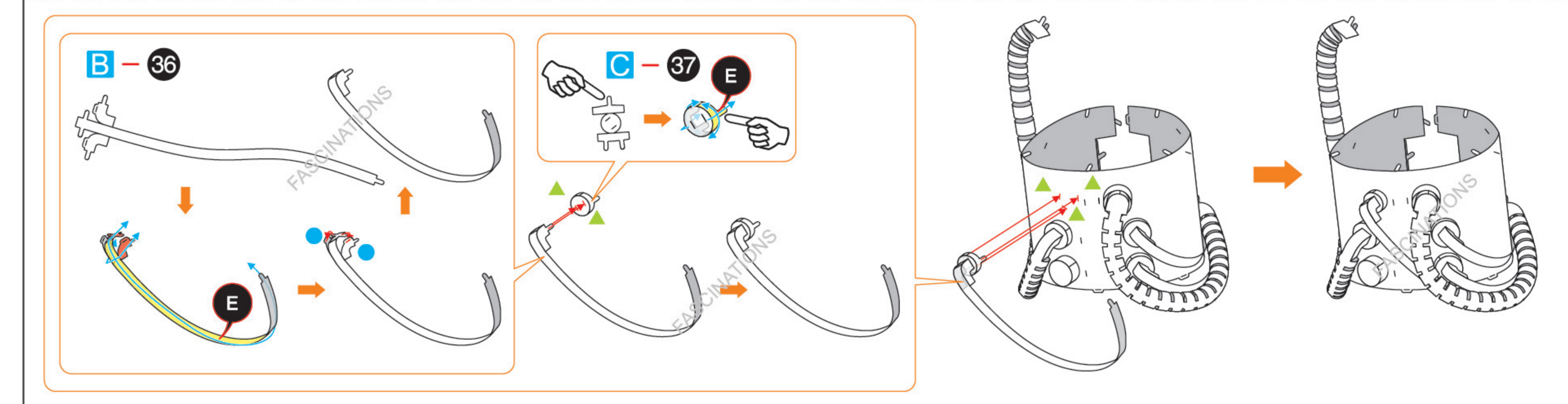
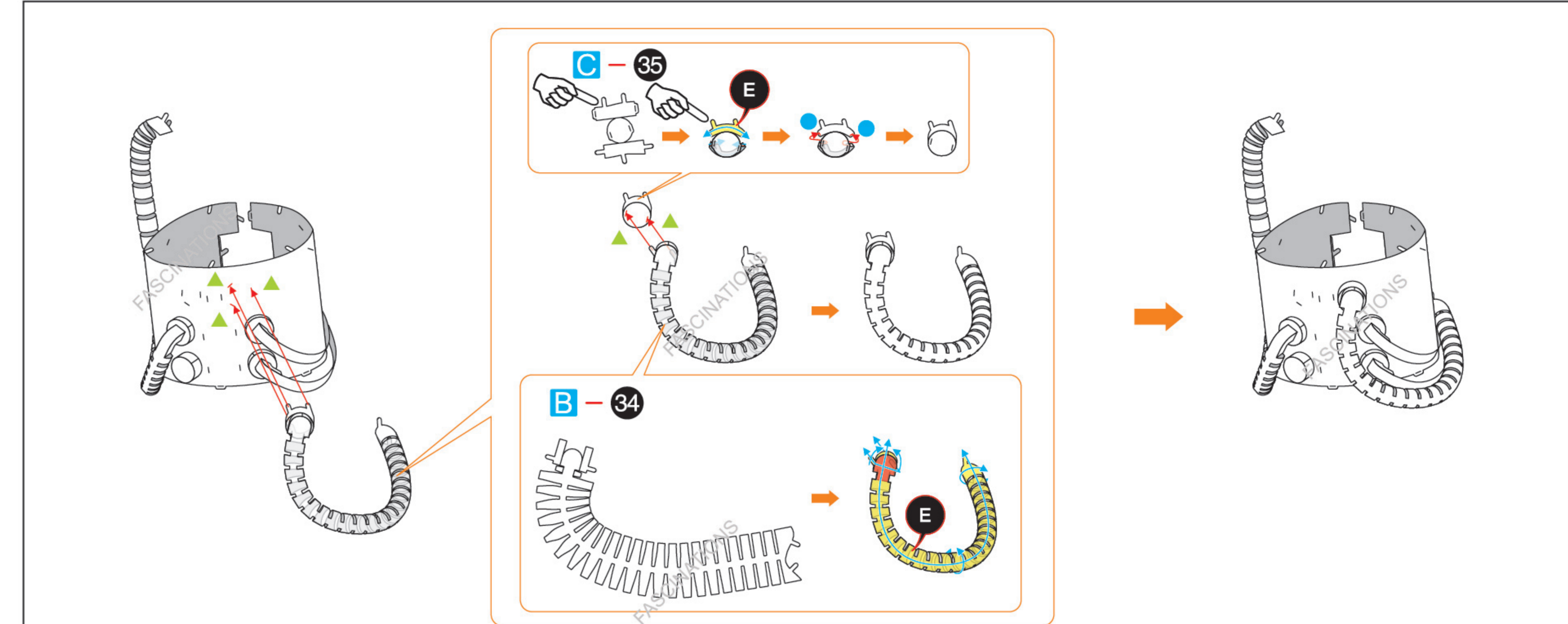
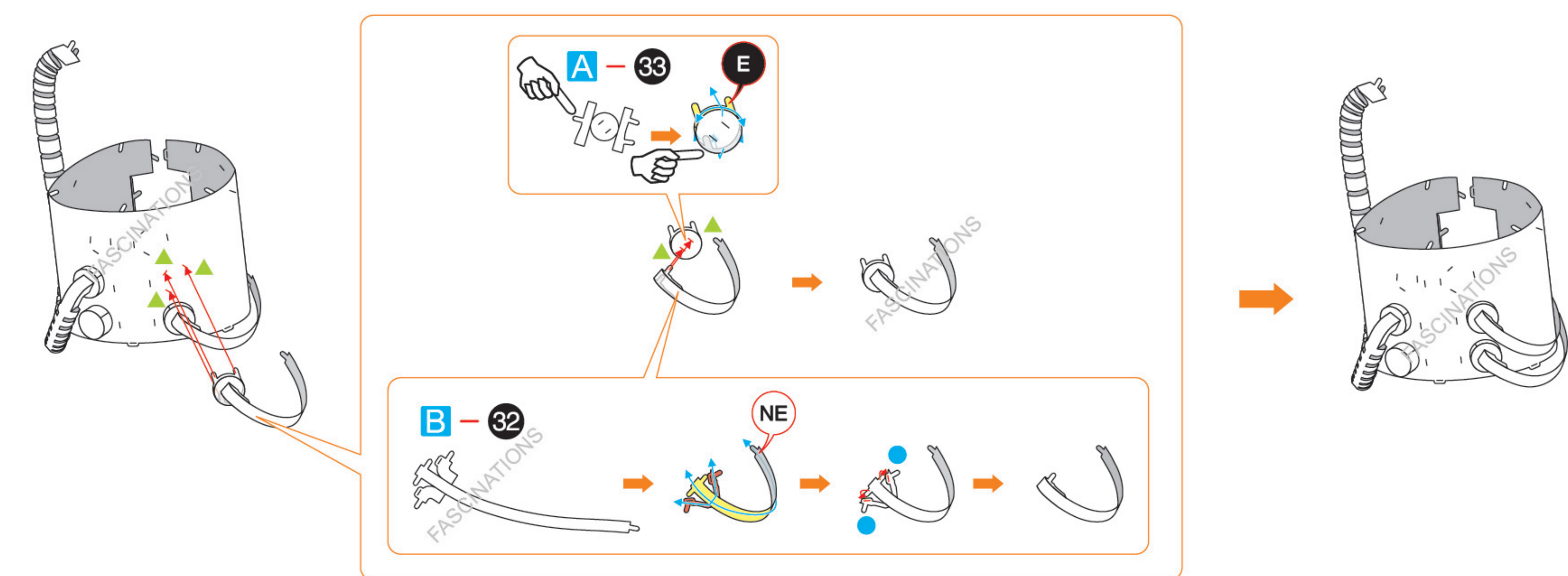
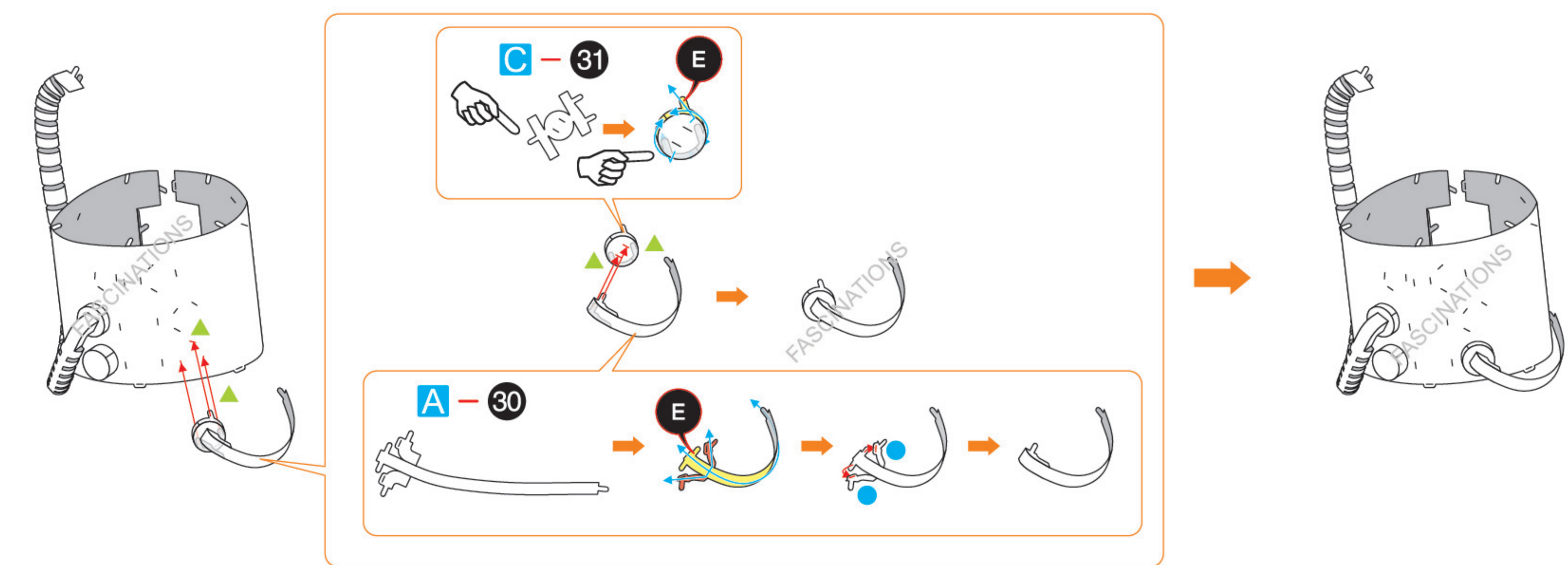
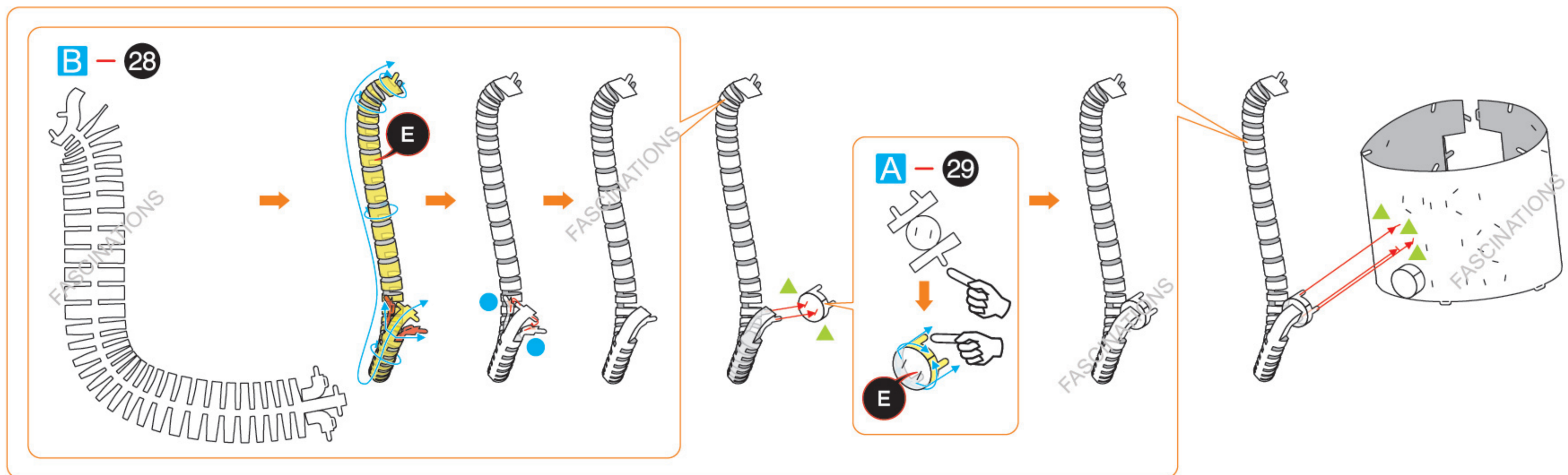
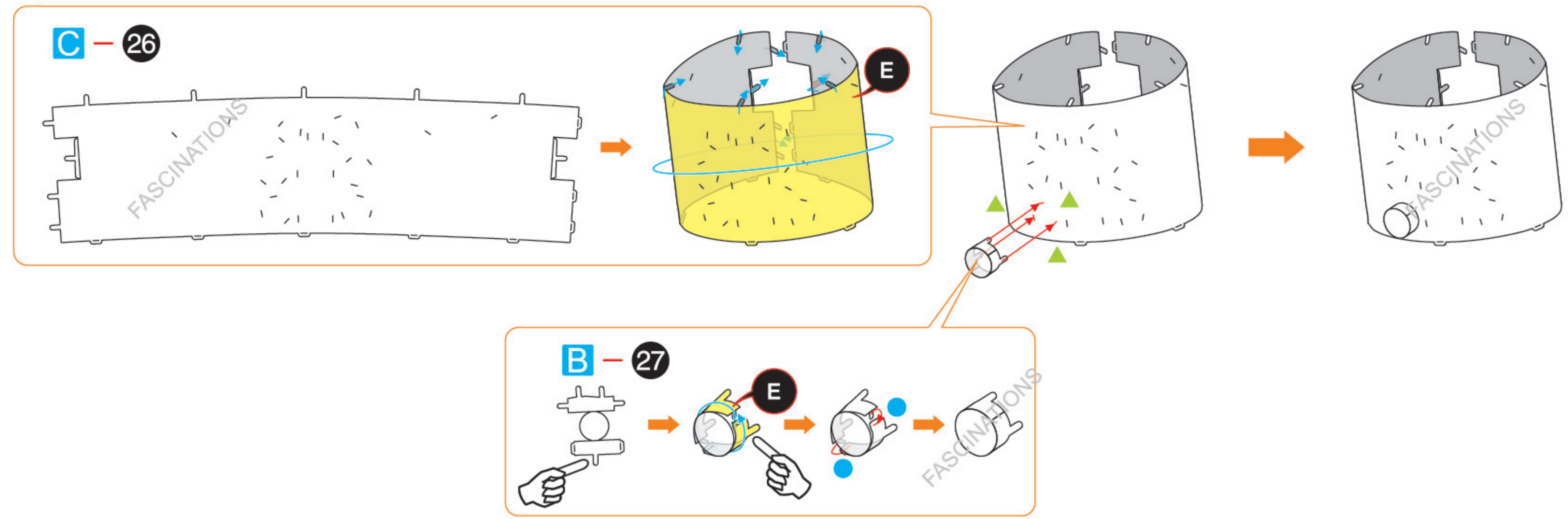
Step 5



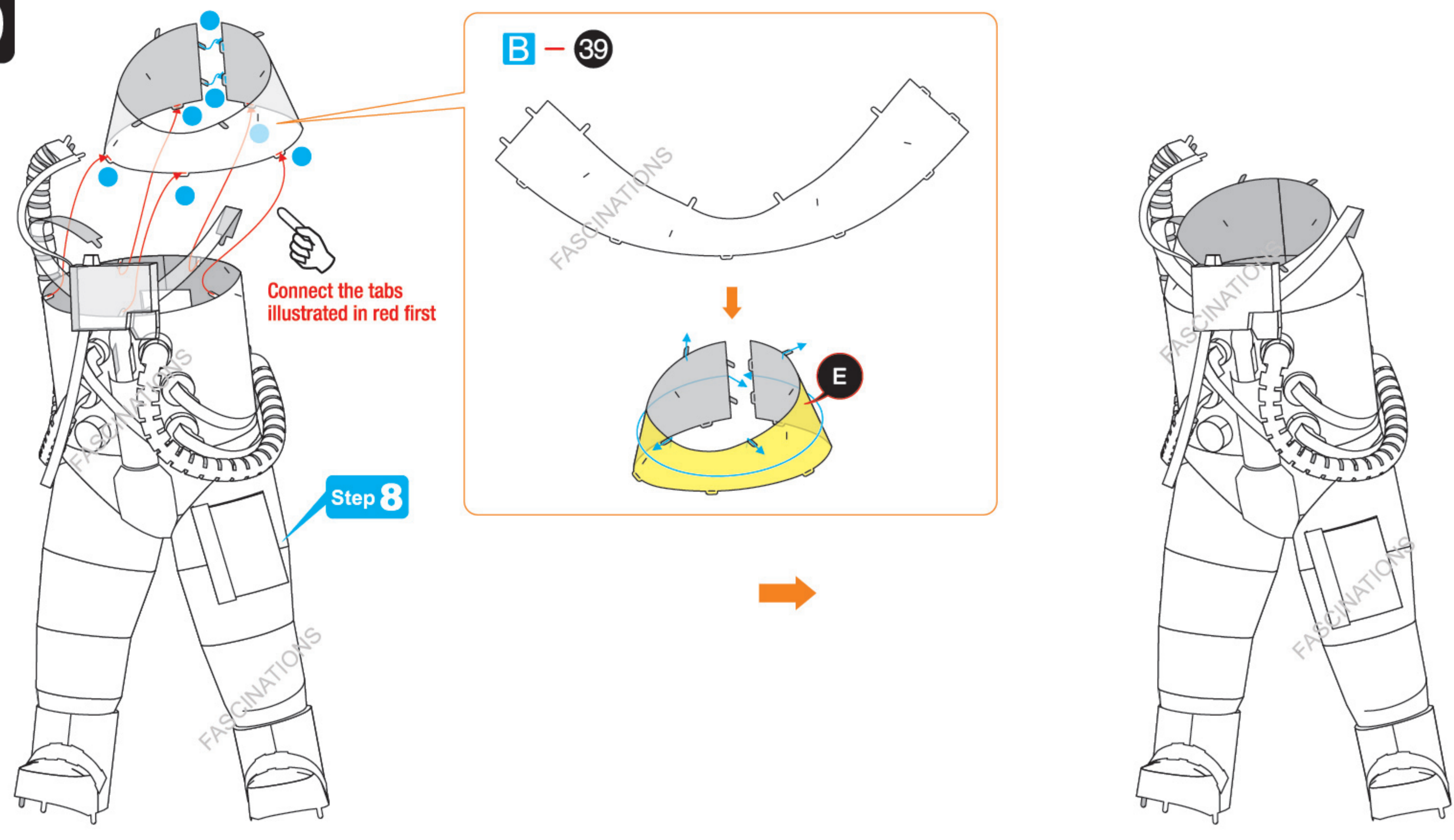
Step 6



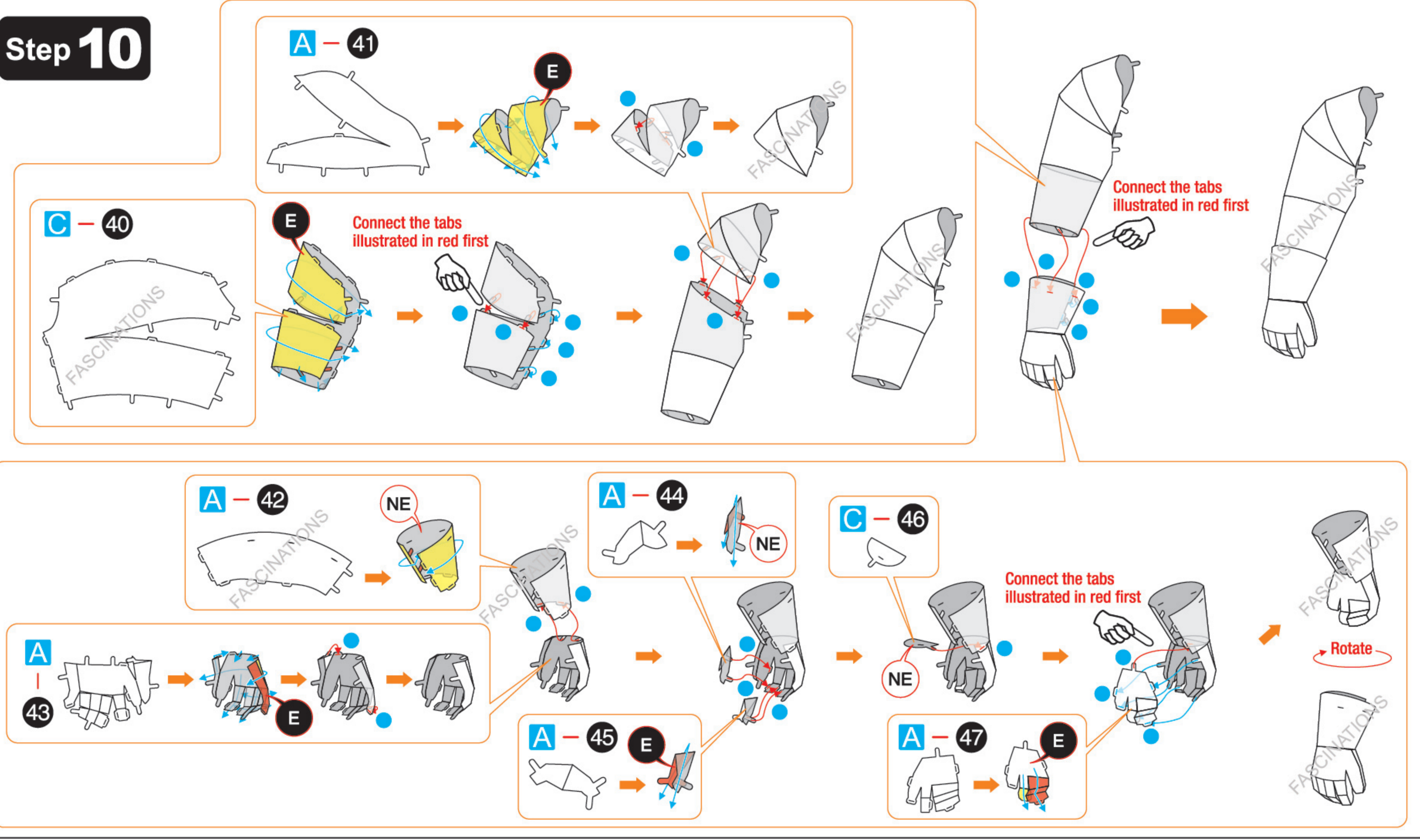
Step 7



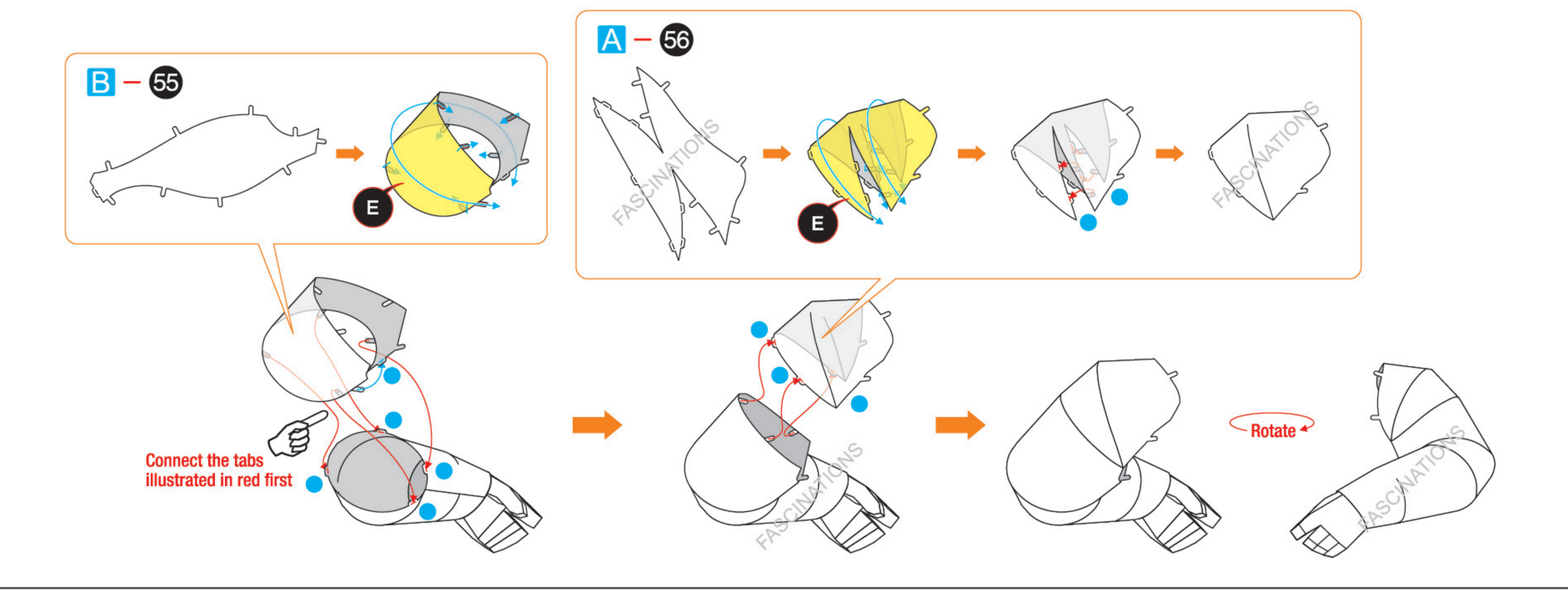
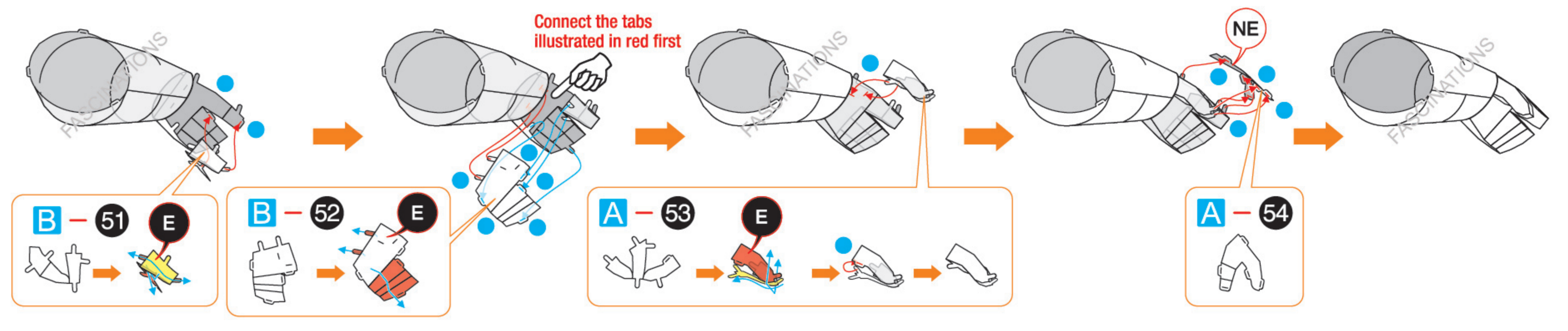
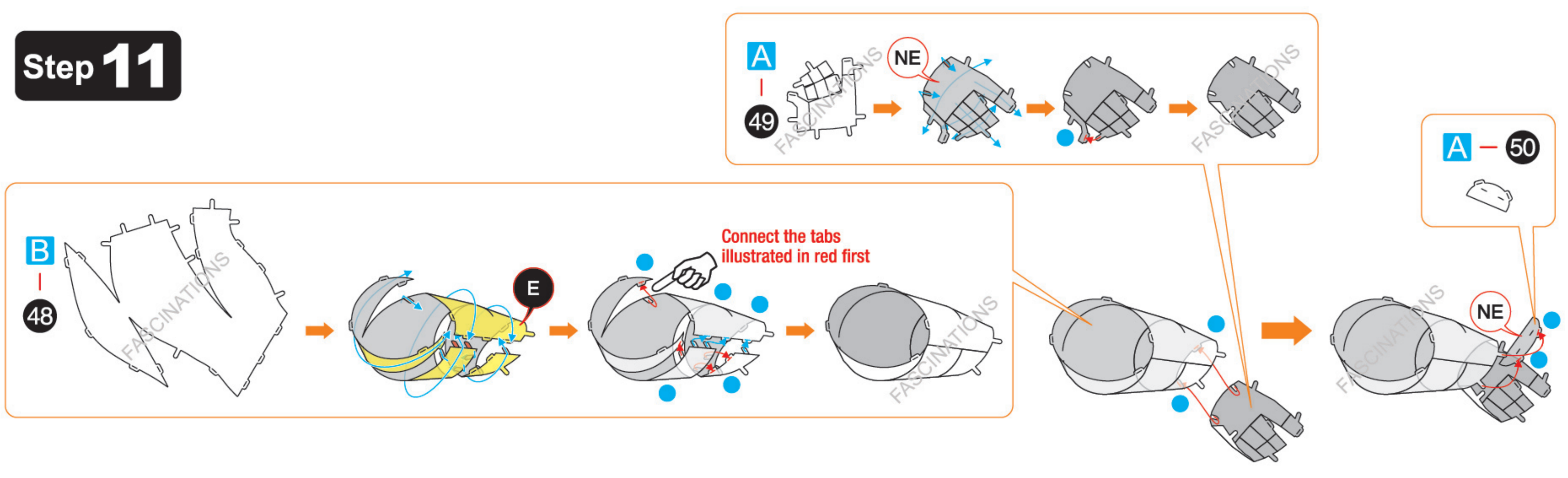
Step 9



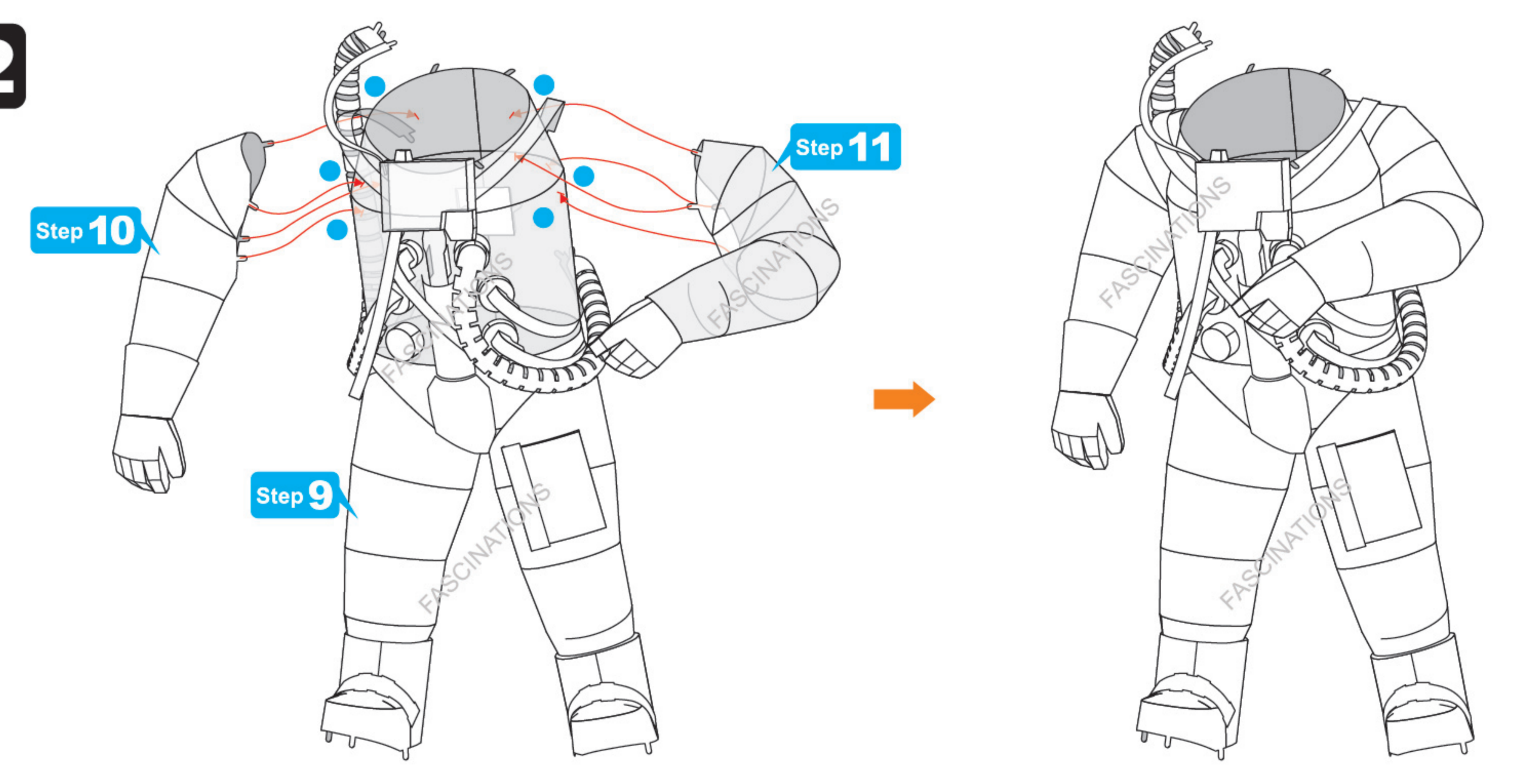
Step 10



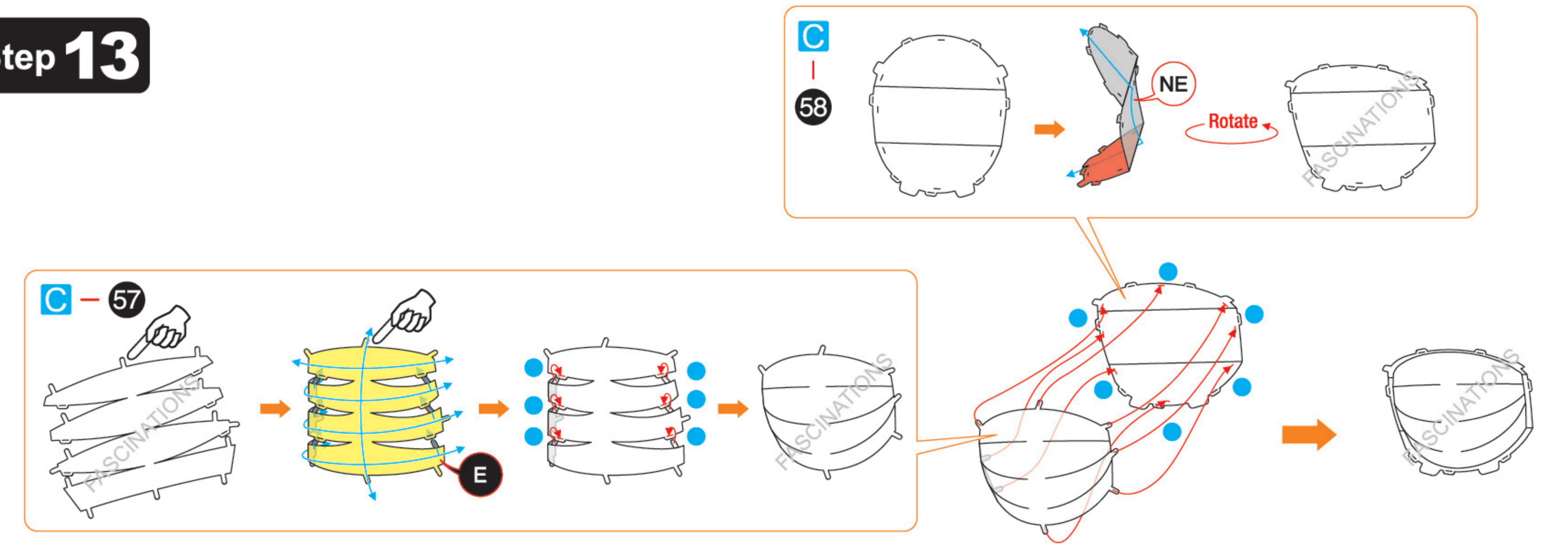
Step 11



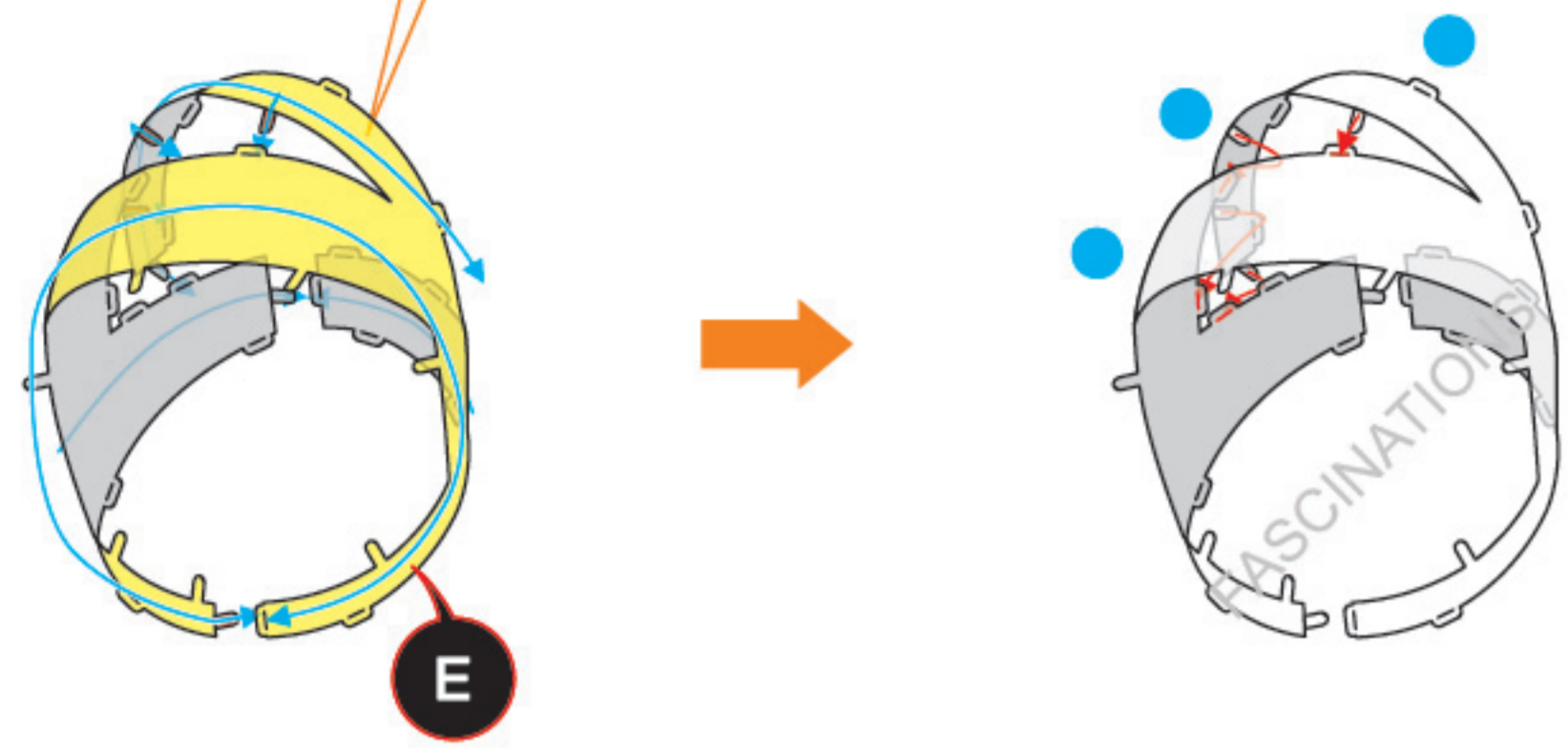
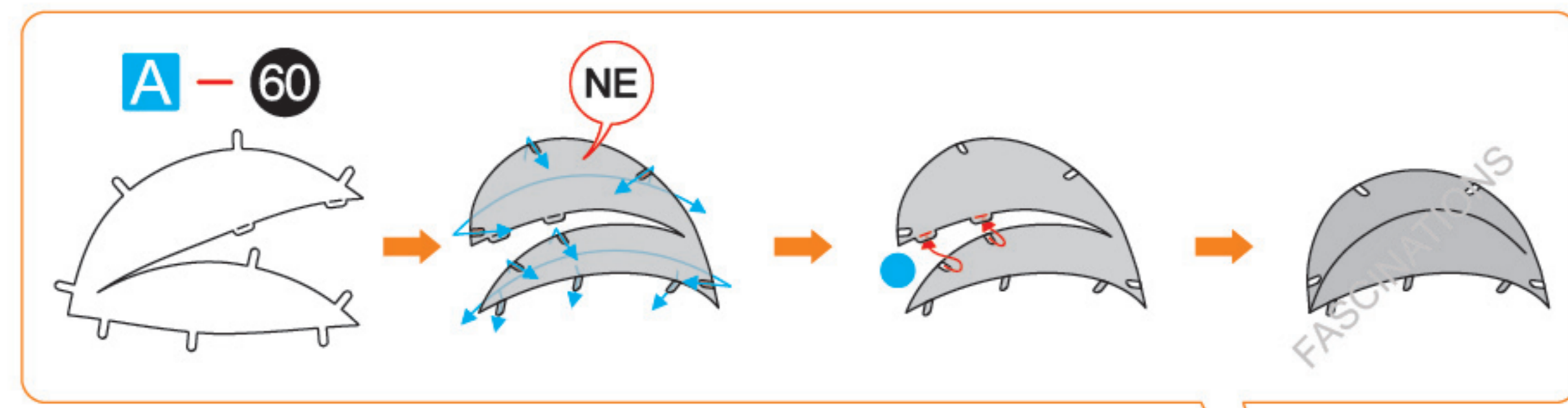
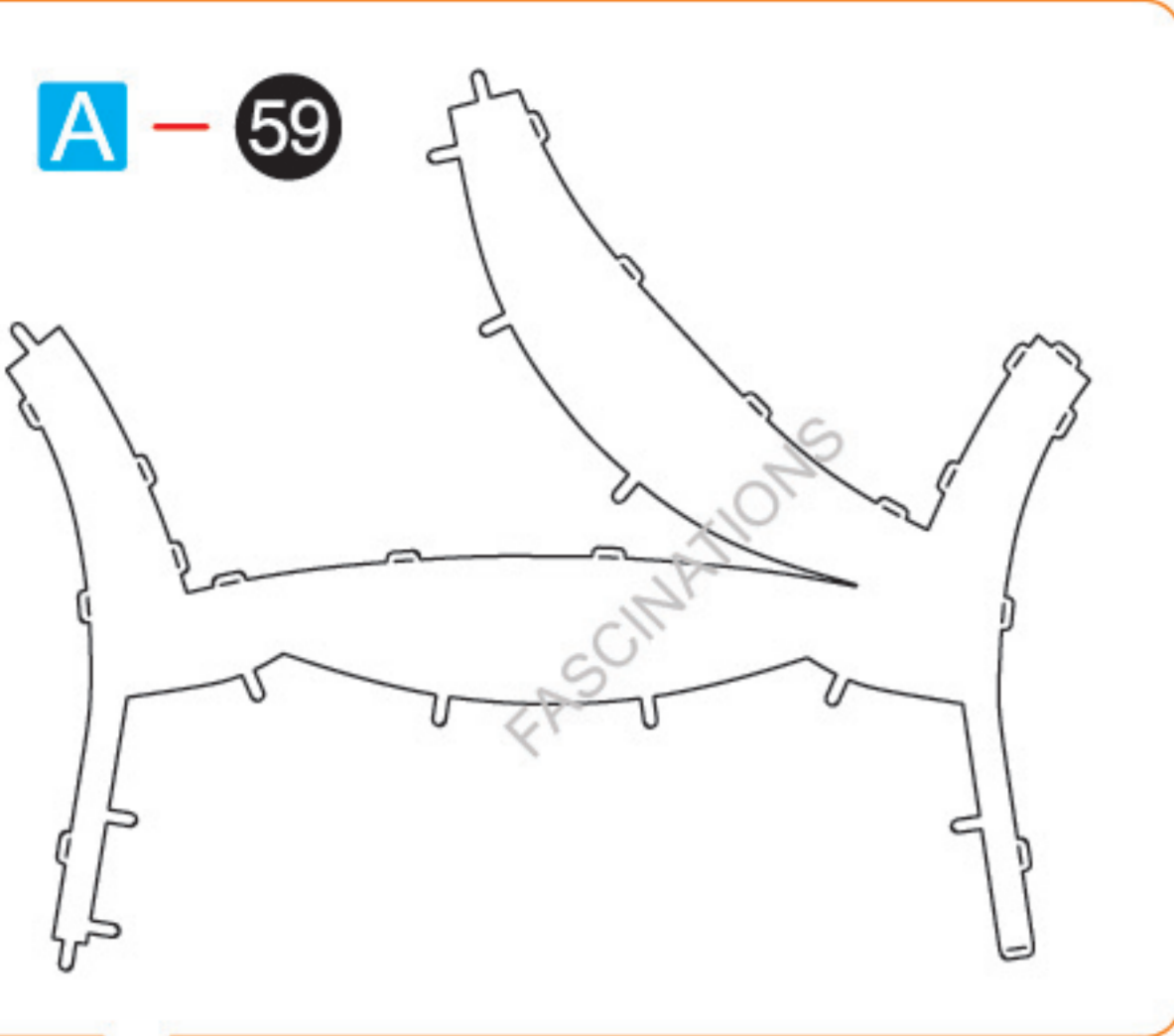
Step 12



Step 13



Step 14

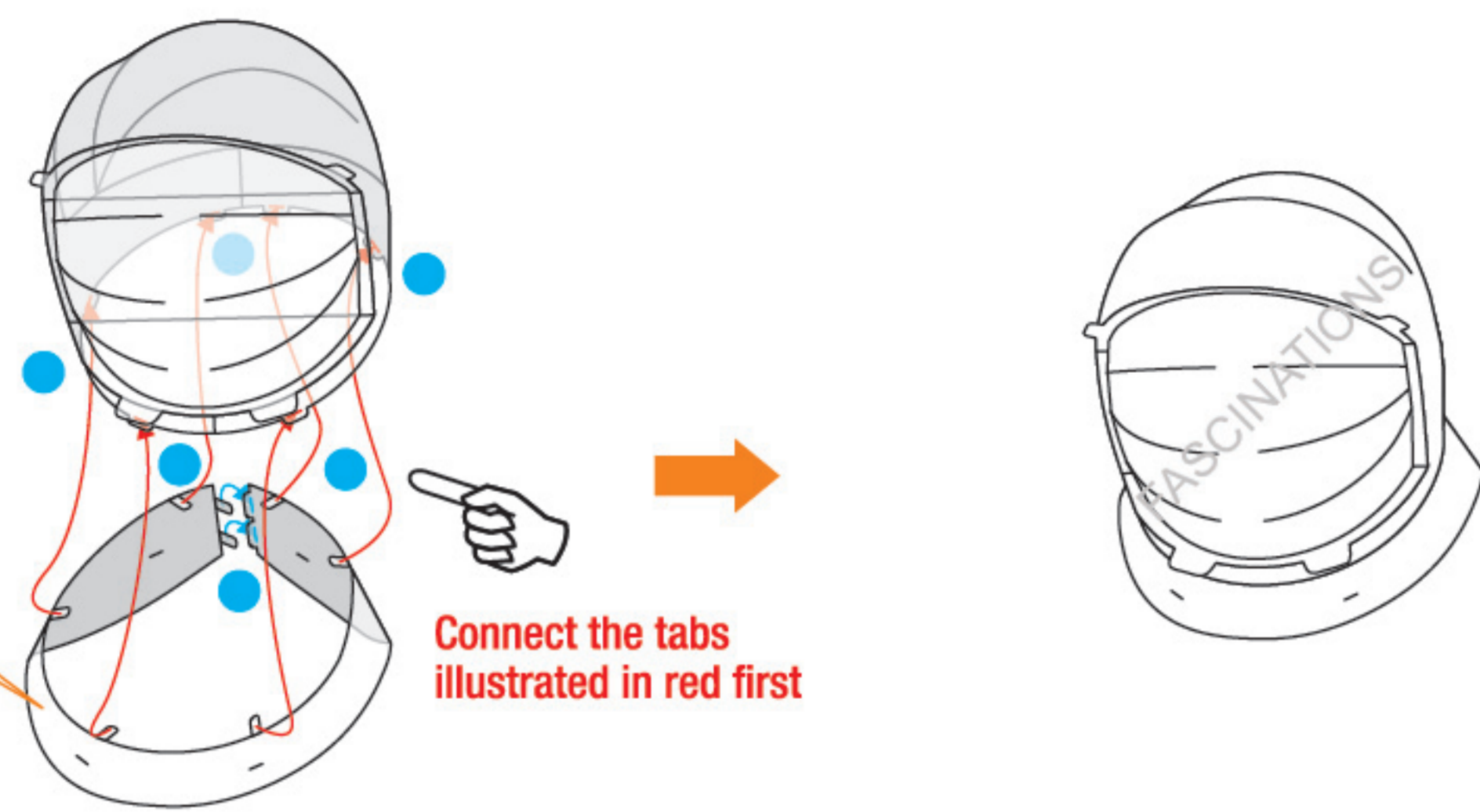
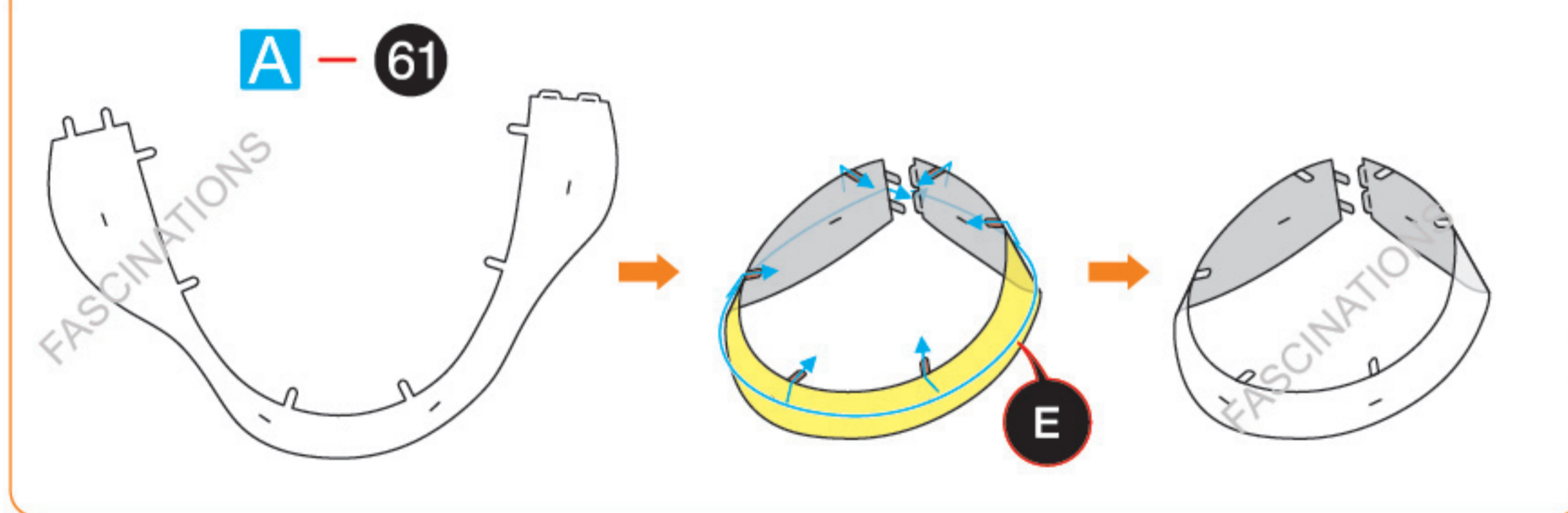
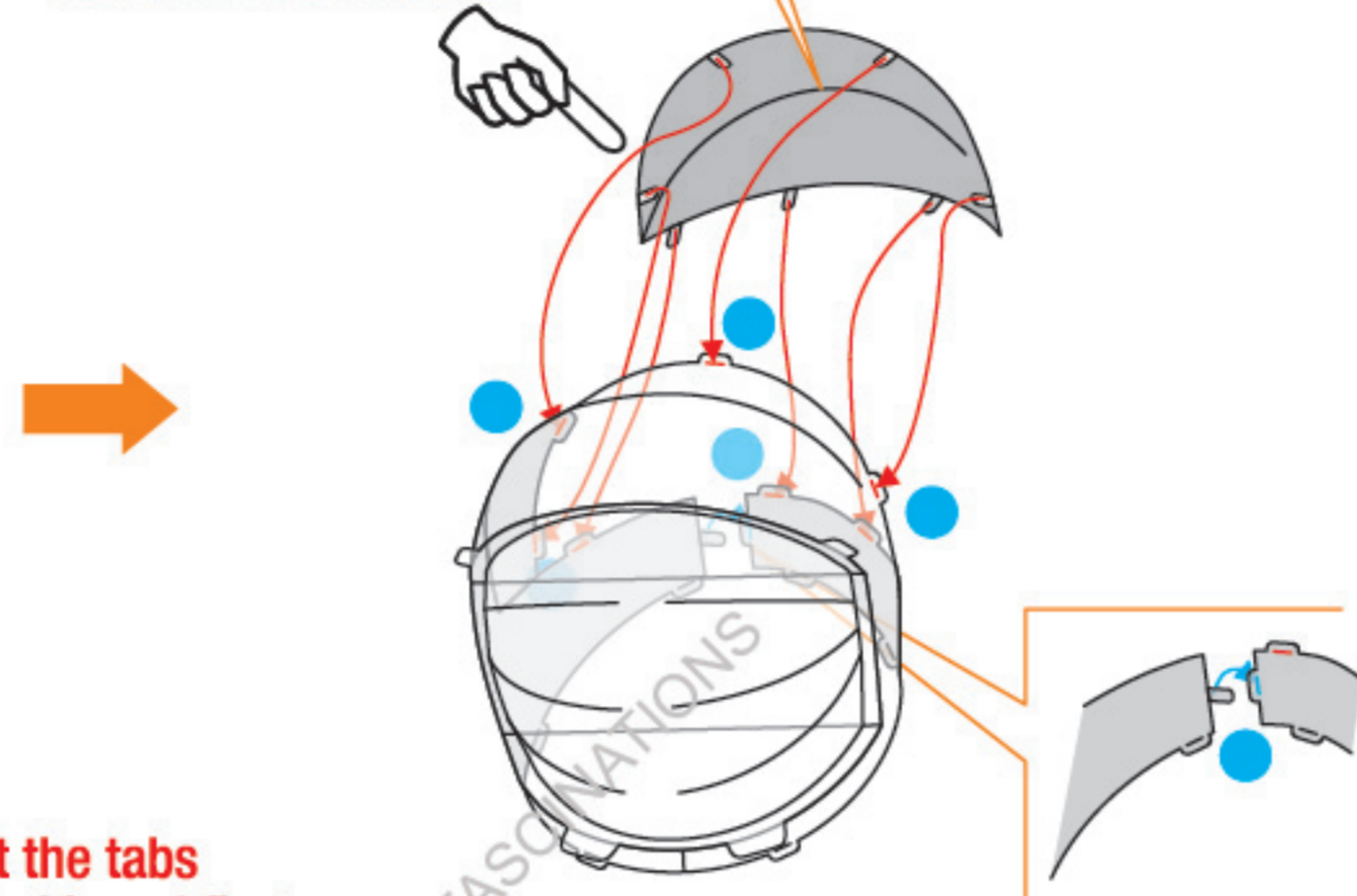


Step 13

Connect the tabs illustrated in red first

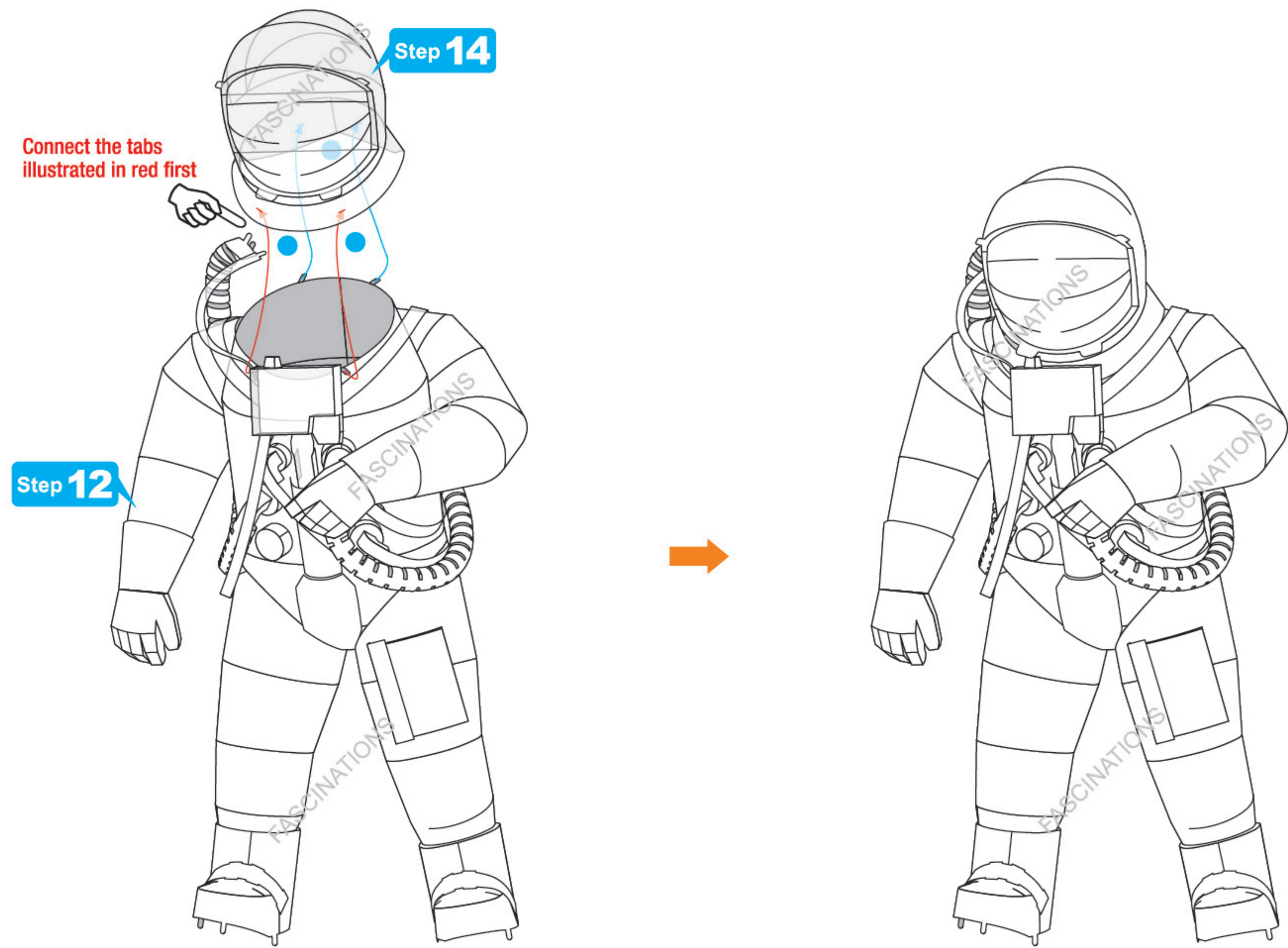
Connect the tabs illustrated in red first

Connect the tabs illustrated in red first



Connect the tabs illustrated in red first

Step 15

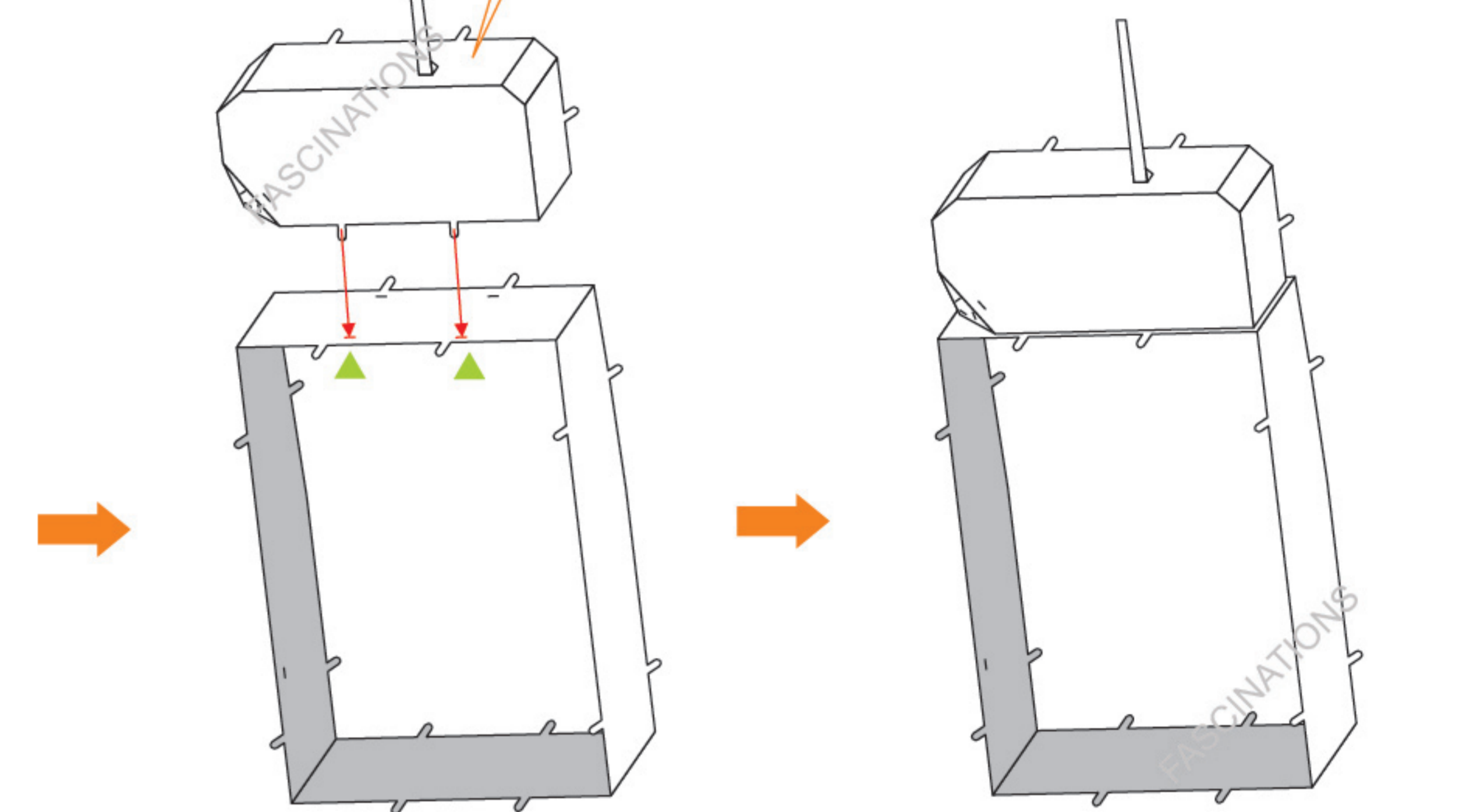
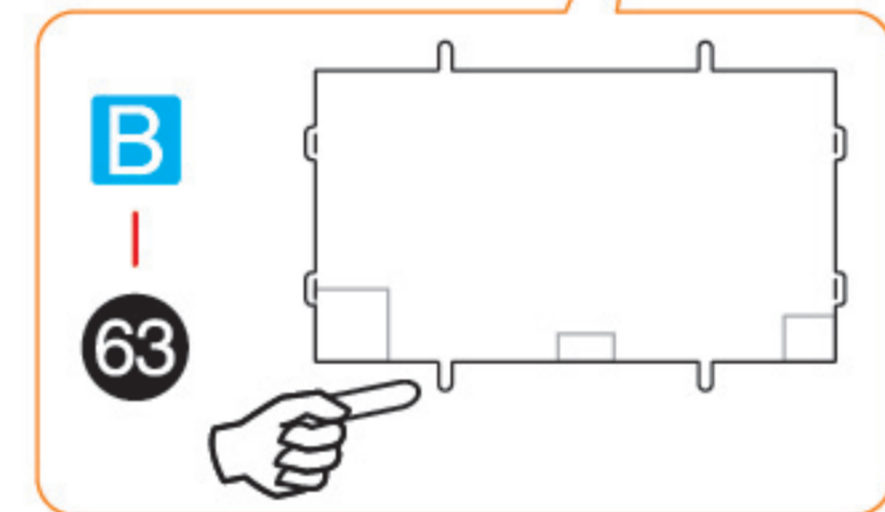
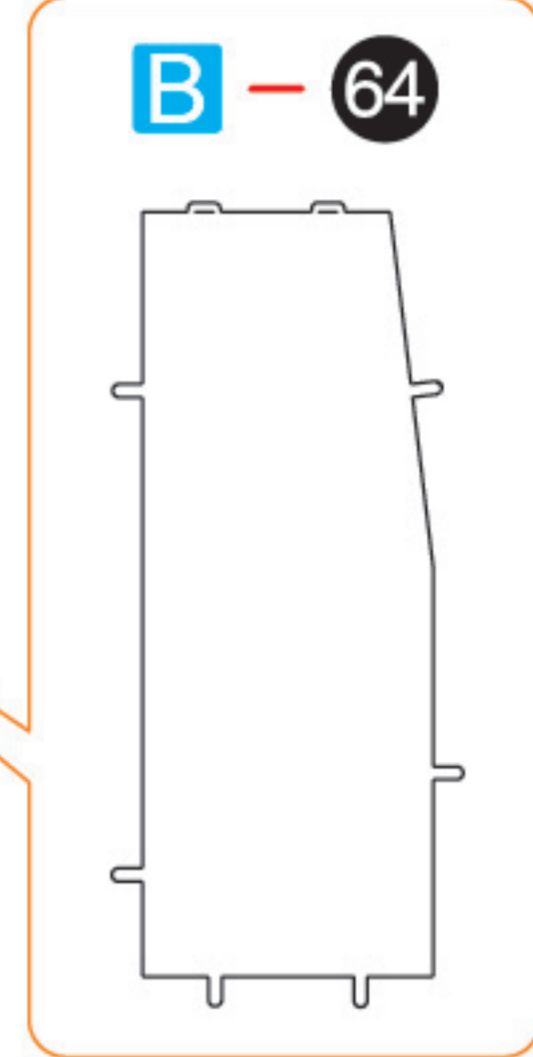
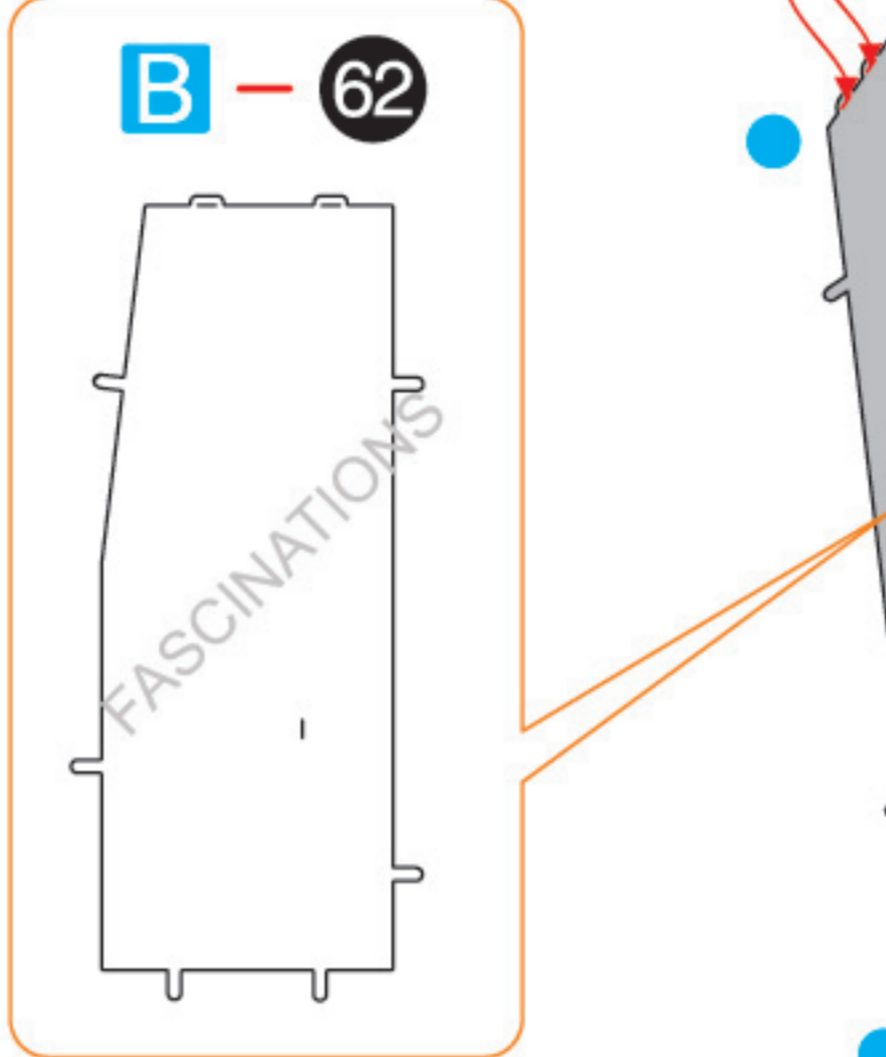
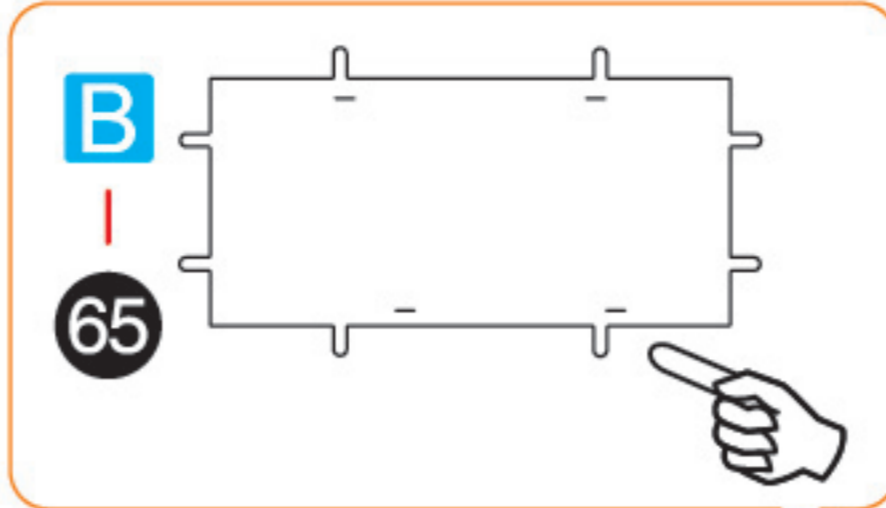
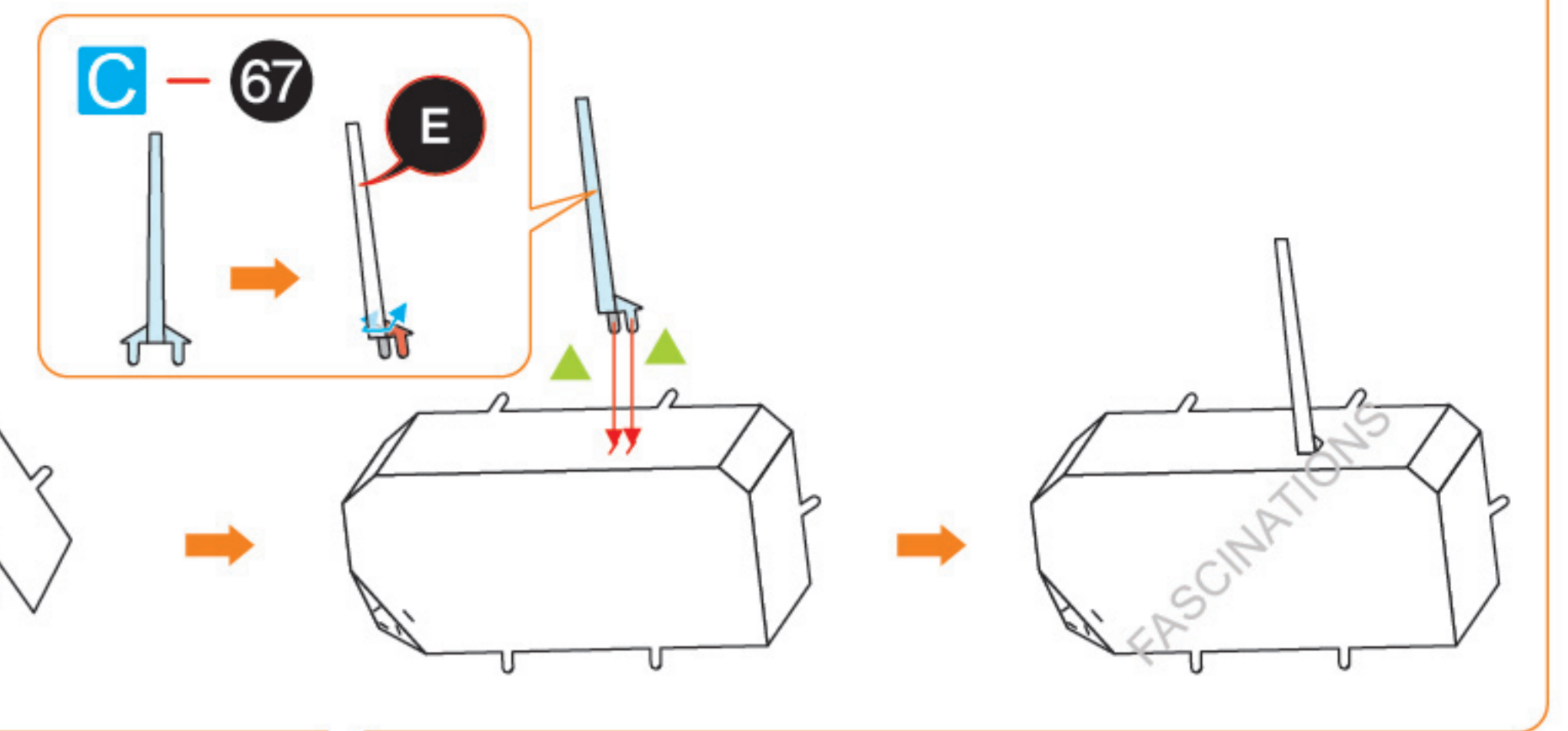
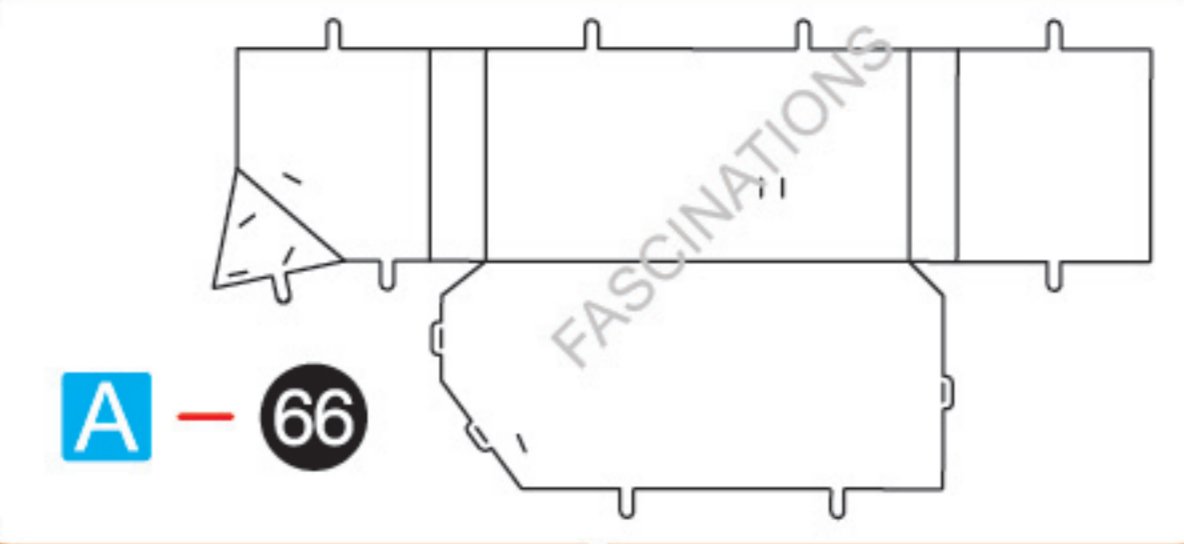


Step 14

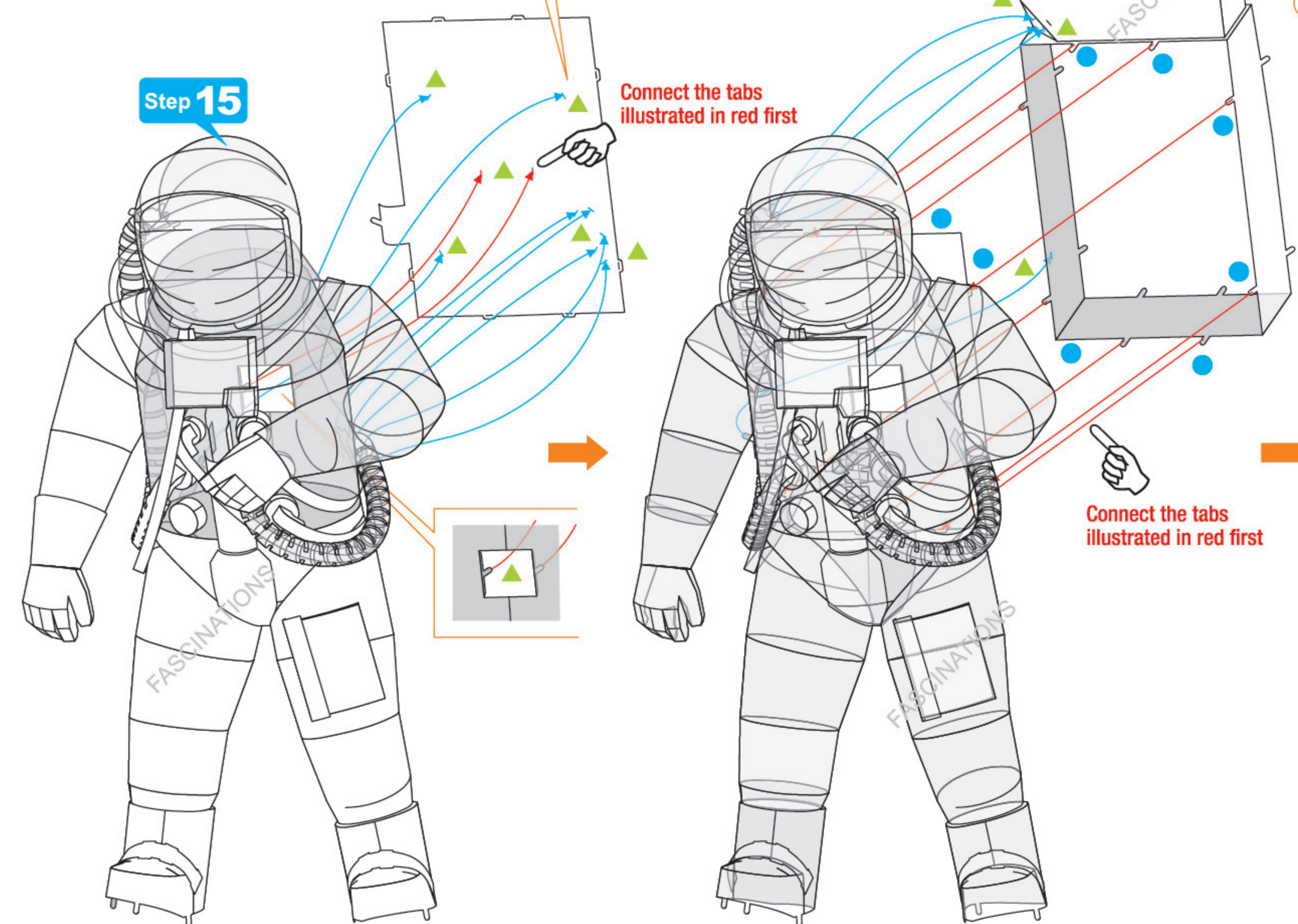
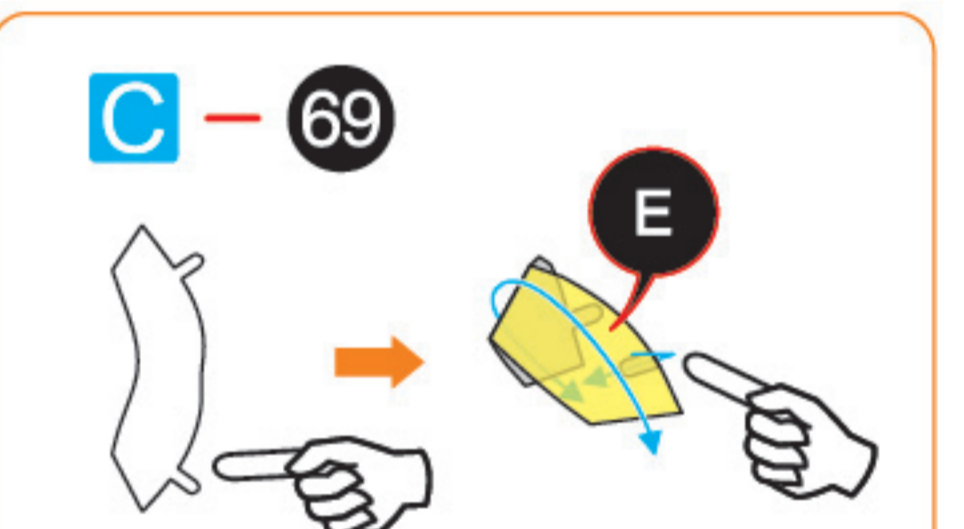
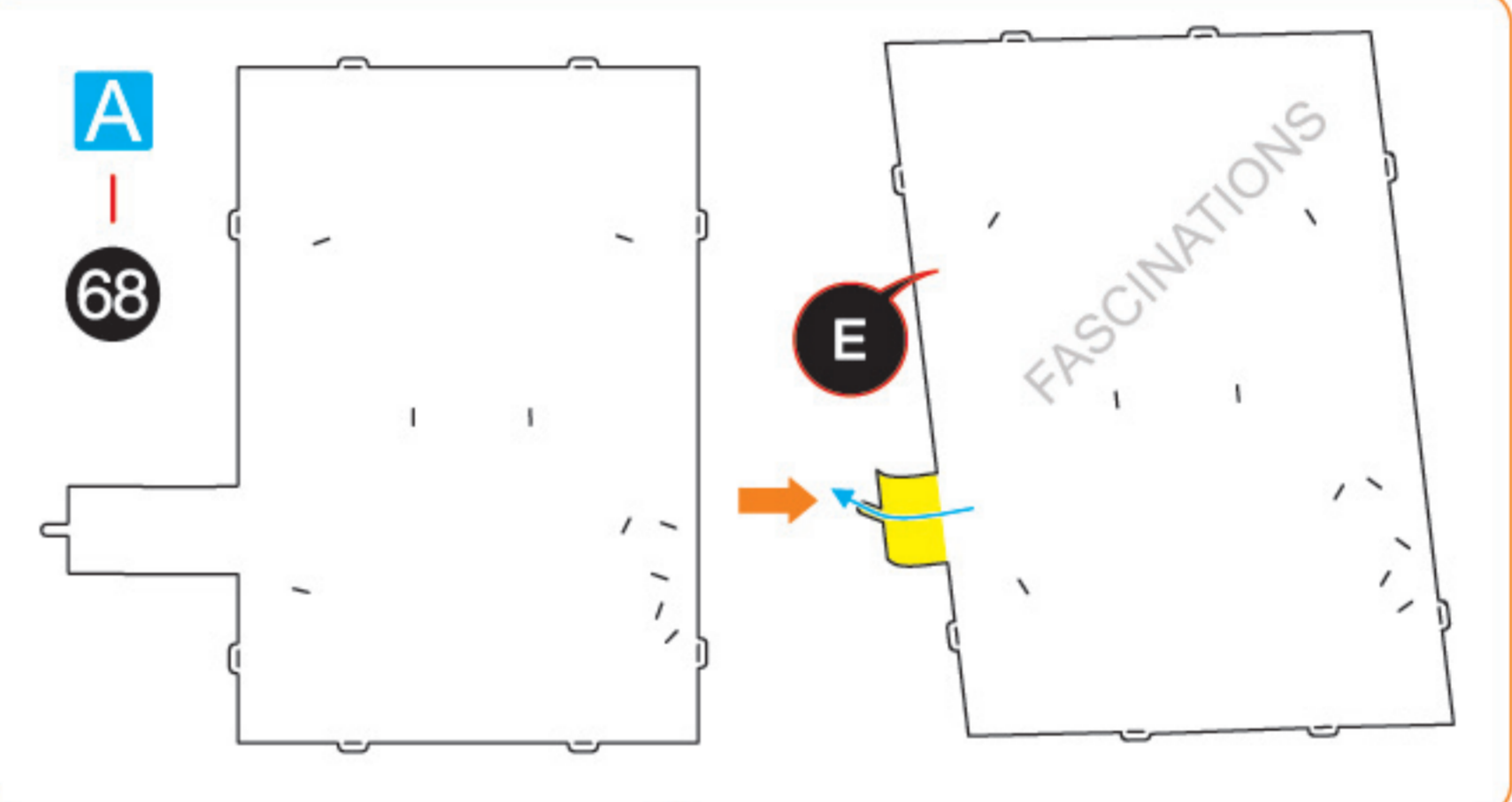
Step 12

Connect the tabs illustrated in red first

Step 16



Step 17



Step 15

Step 16

Connect the tabs illustrated in red first

Connect the tabs illustrated in red first

