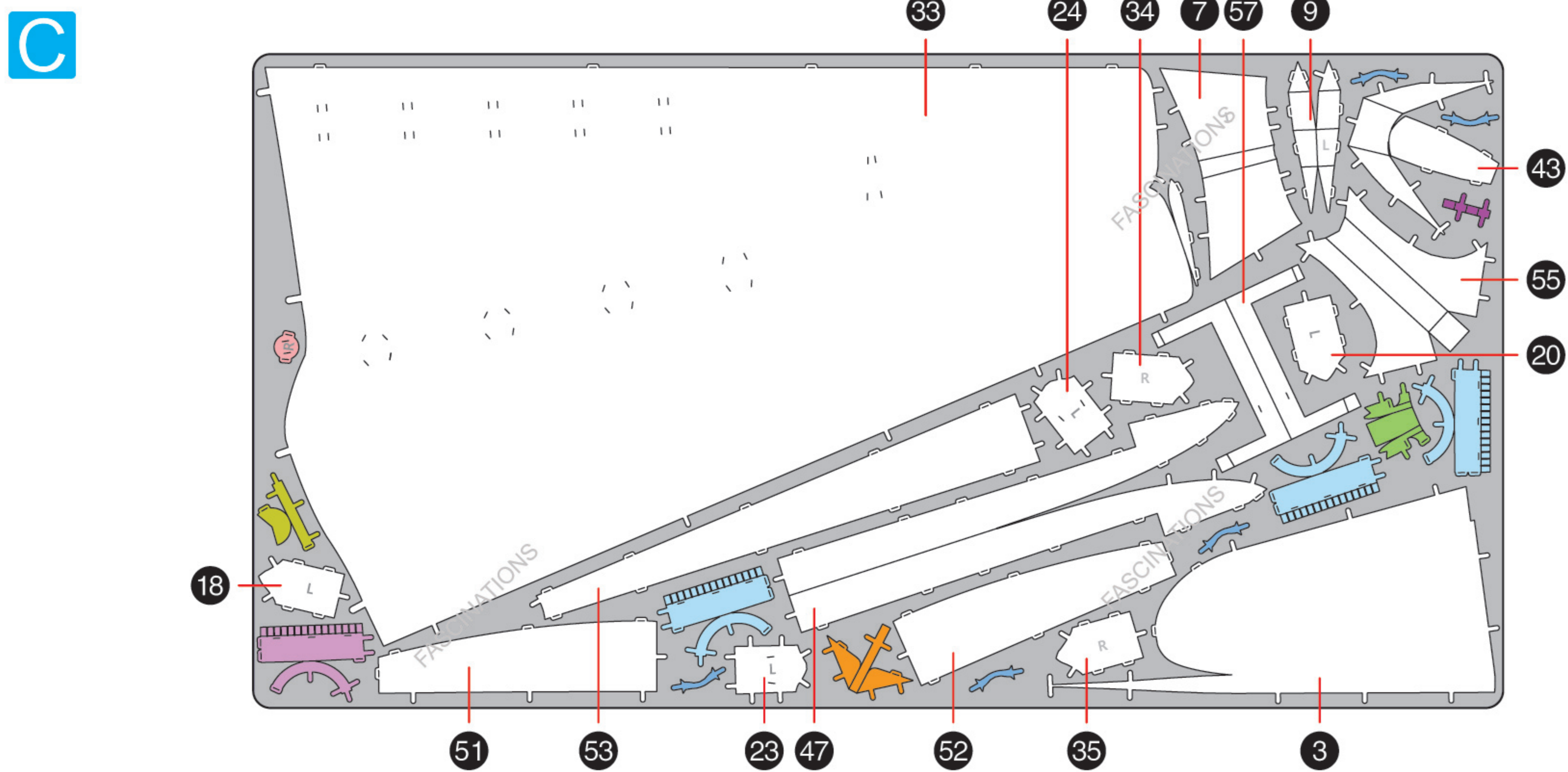
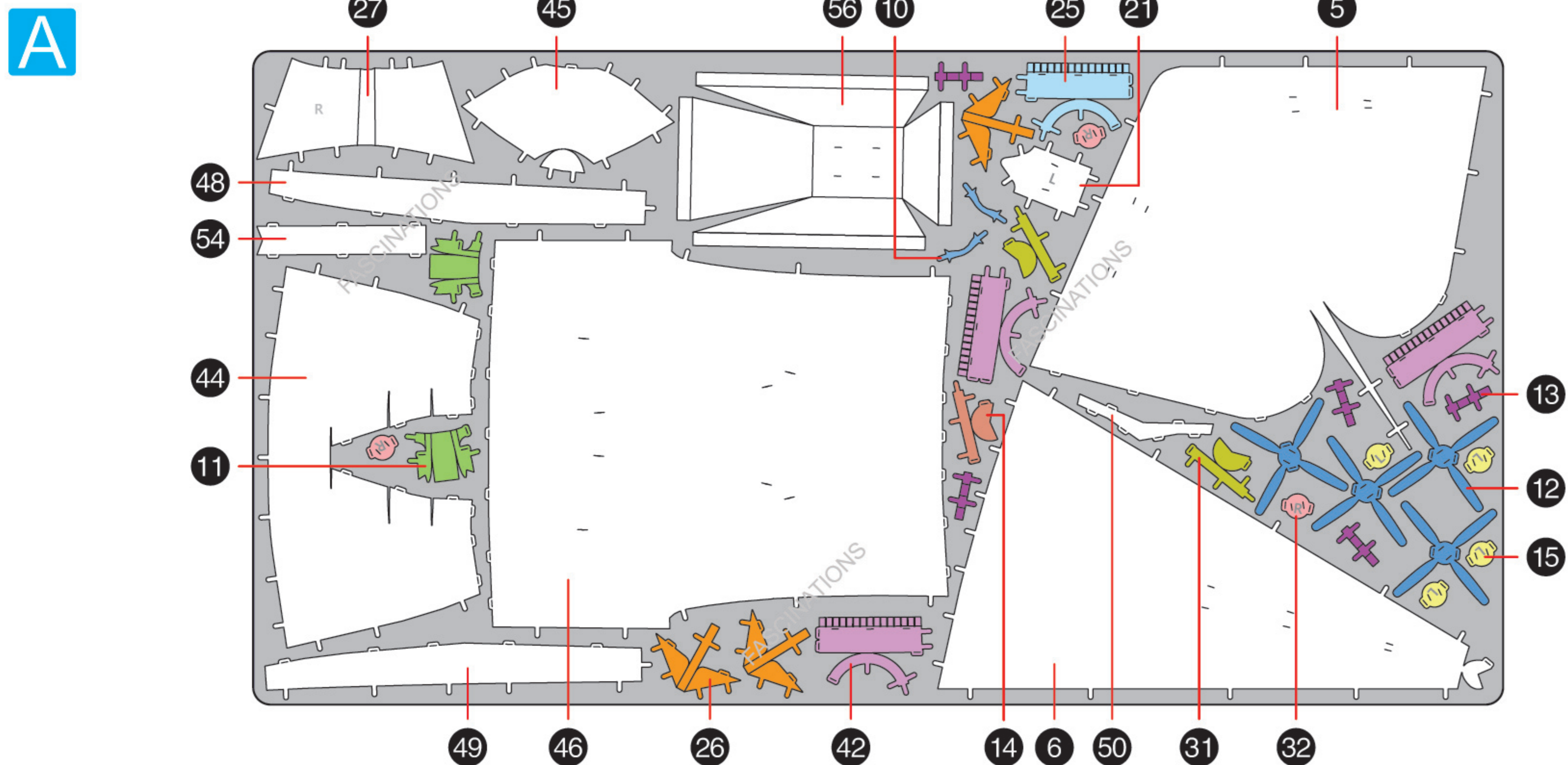


METAL SHEETS

Parts with same color are duplicates



Metal Earth

360°
view



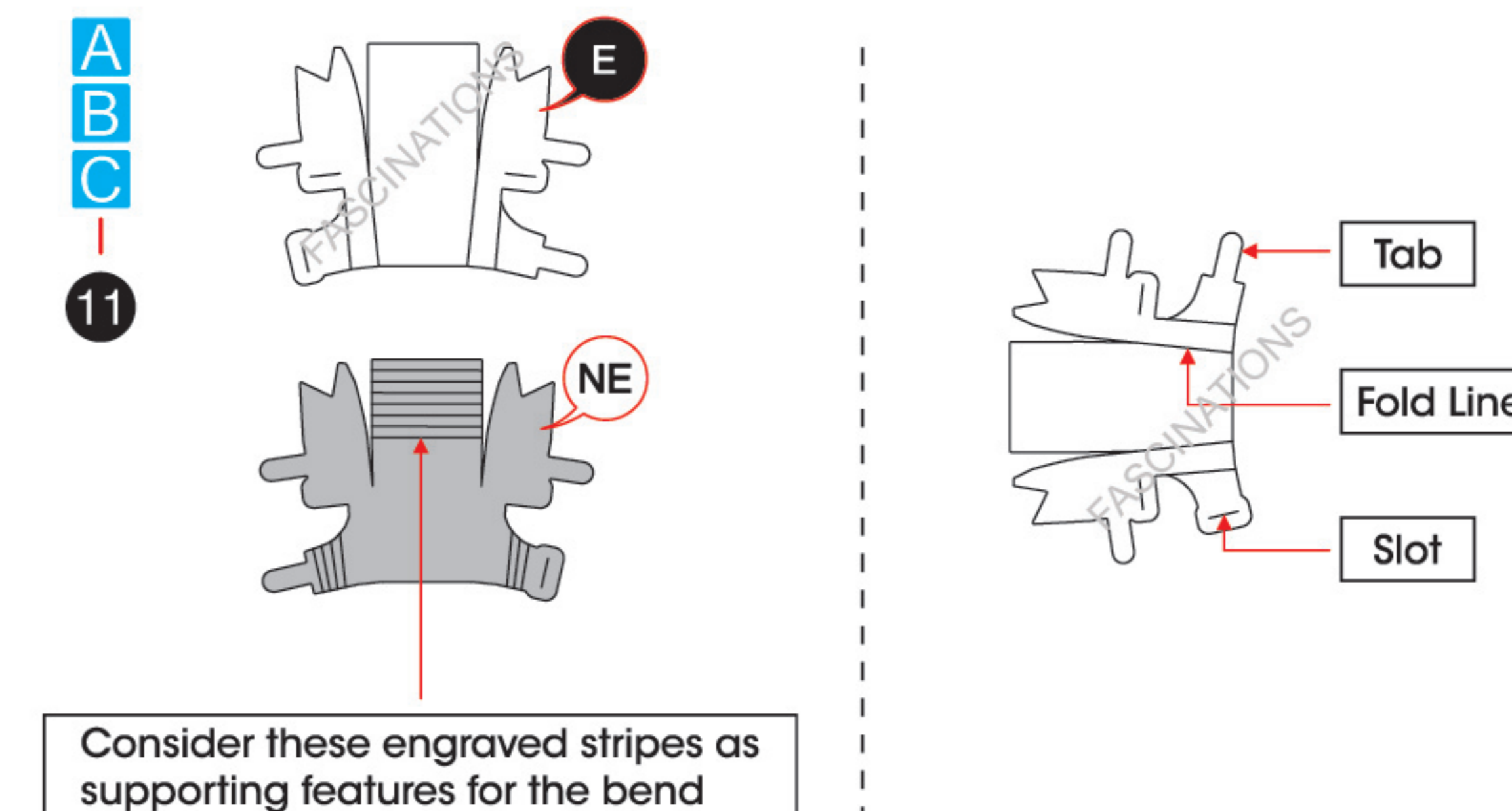
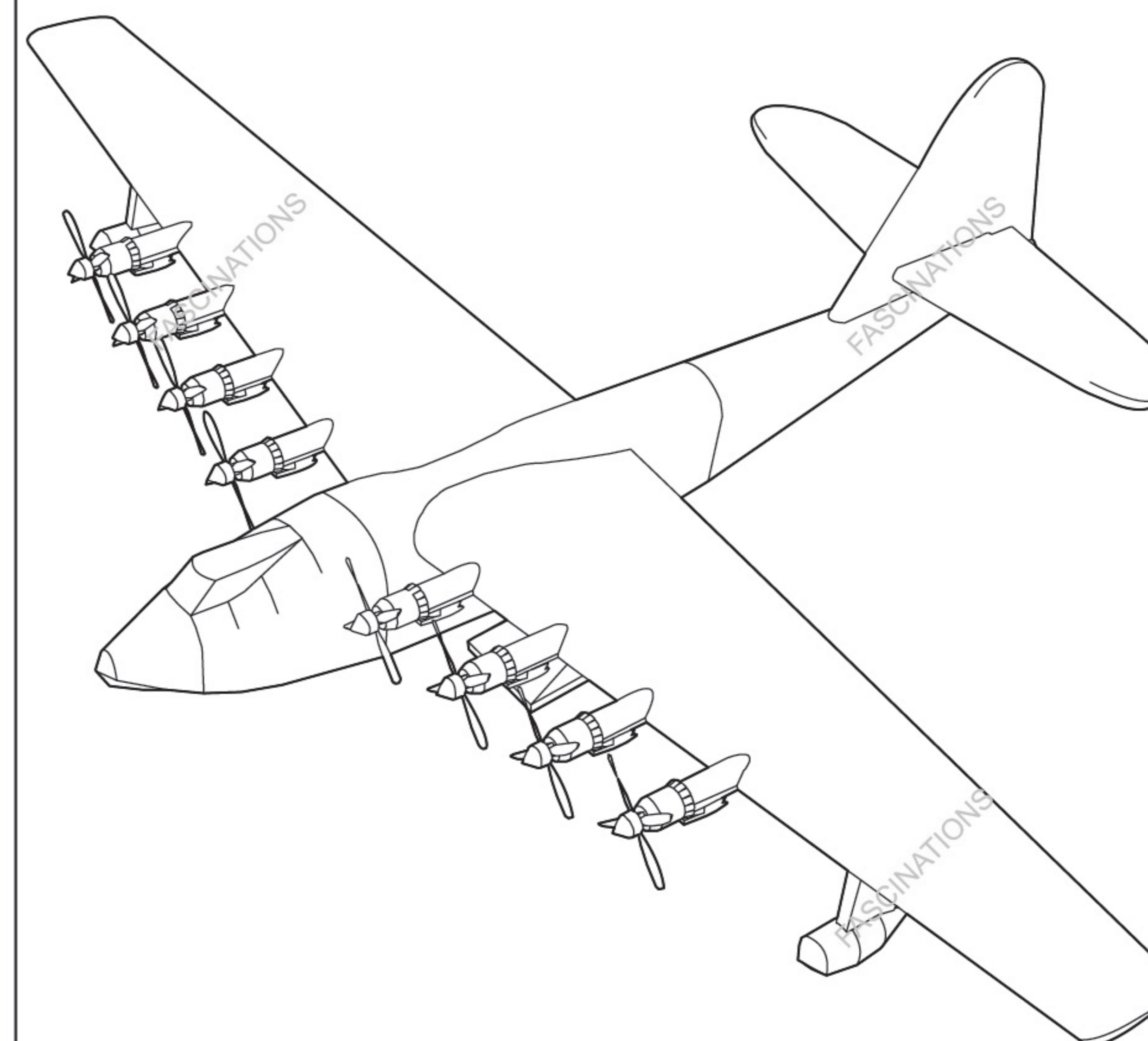
It is highly recommended that you visit www.metalearth.com/360/PS2011 to see the completed model before assembling your own

Premium Series

PS2011

THE SPRUCE GOOSE

TO CREATE THE BEST CONNECTIONS



Legends:

- E** Engraved/ Color side
- NE** Non - engraved/ Silver side
- Attention point
- Insert tab and bend 90 degrees
- Insert tab and twist 90 degrees

Assembly tip:

If needed, slightly twist tabs to hold parts together then untwist and bend them down for a nice finish.

- Yellow areas should be curled
- Red areas should be folded

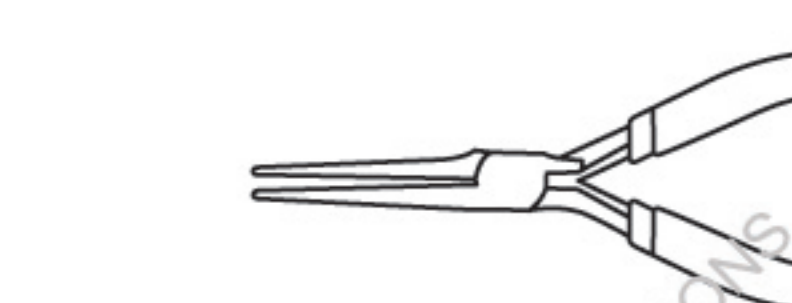
In order to avoid possible injury from sharp edges, please carefully discard the metal sheets after parts have been removed.

Recommended tools:

- Wire cutters: helpful for taking parts from the metal sheets.

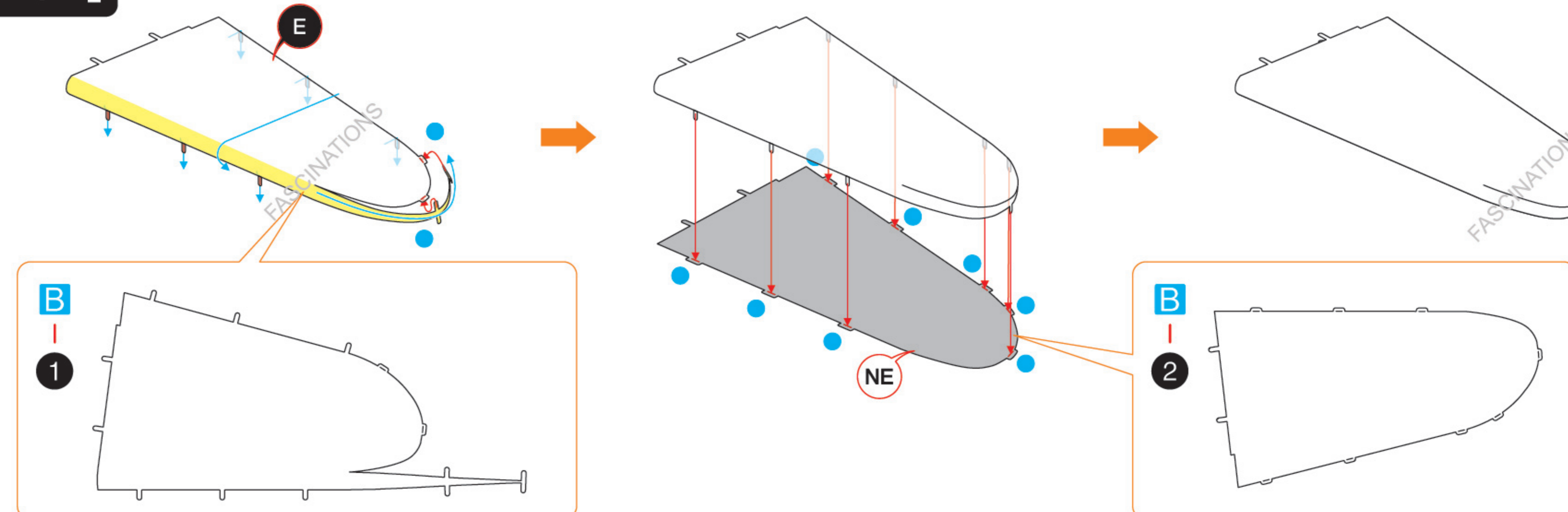


- Tweezers or needle nose pliers: helpful for folding parts, bending and twisting tabs.



ASSEMBLY STEPS

Step 1



Step 2

Step 2 shows the assembly of the wing structure. It involves attaching a flat sheet (part B-4) to a curved frame (part C-3) using glue tabs (E). A 'Rotate' arrow indicates the final orientation of the wing.

Step 3

Step 3 shows the attachment of the wing to the fuselage. The wing is aligned with the fuselage, and the tabs (E) are connected. The fuselage part is labeled A-5.

Step 4

Step 4 shows the attachment of the tail section to the fuselage. The tail is aligned with the fuselage, and the tabs (E) are connected. The tail part is labeled A-6.

Step 4

Step 4 shows the assembly of the tail section. It involves attaching a flat sheet (part B-8) to a curved frame (part C-7) using glue tabs (E). The final assembly is labeled C-9.

Step 5

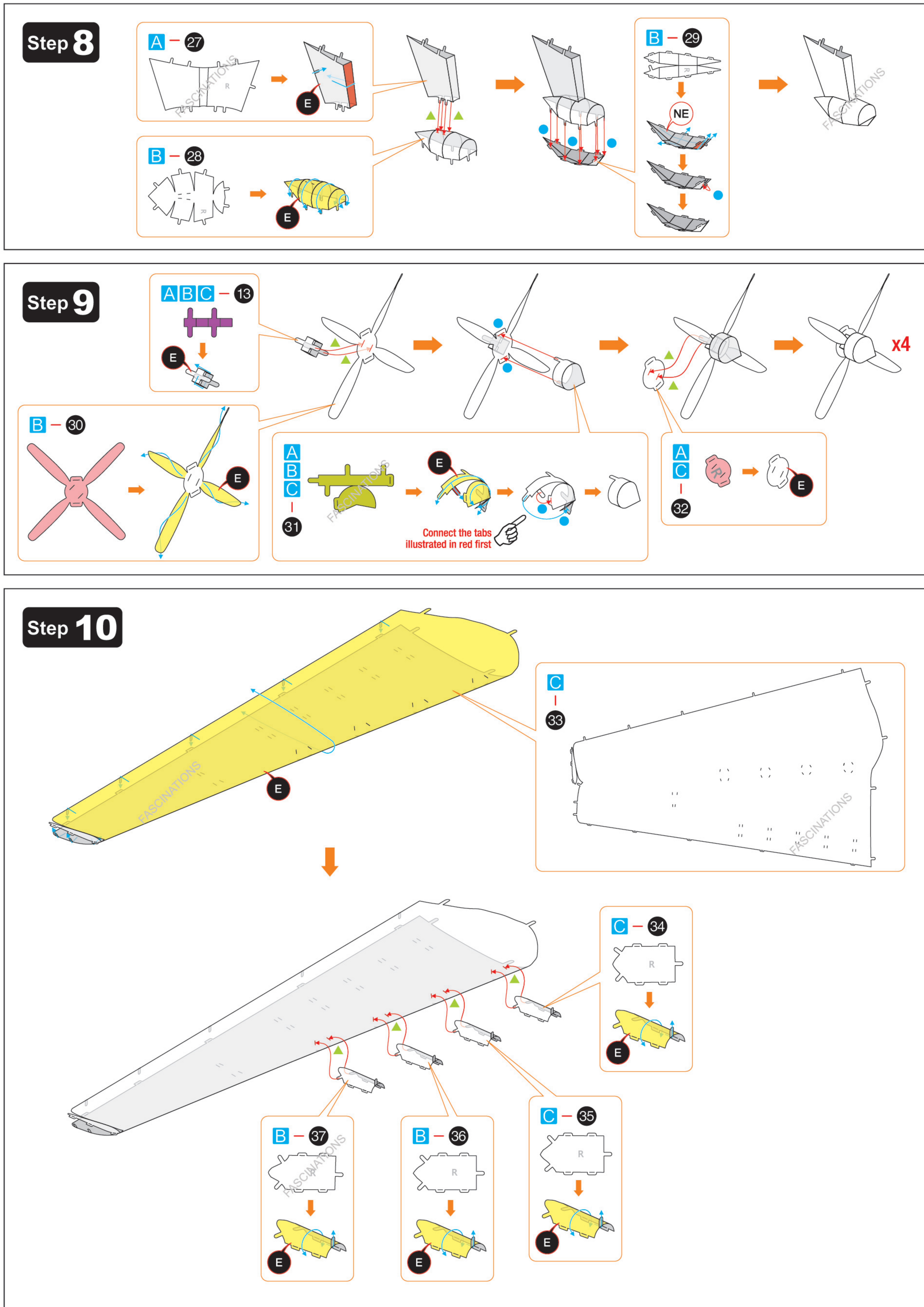
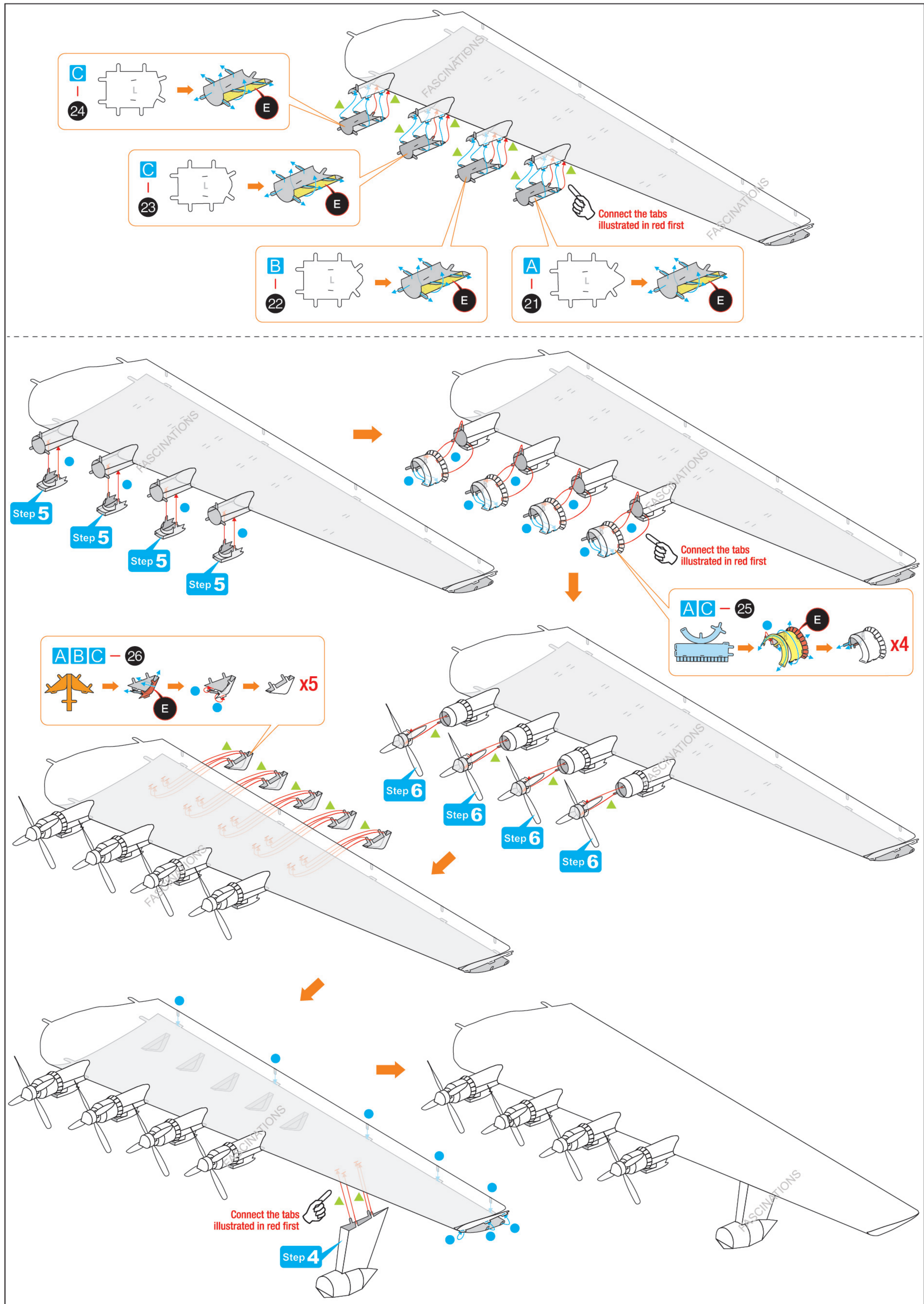
Step 5 shows the assembly of the propeller. It involves attaching a flat sheet (part ABC-10) to a curved frame (part ABC-11) using glue tabs (E). The final assembly is labeled x8.

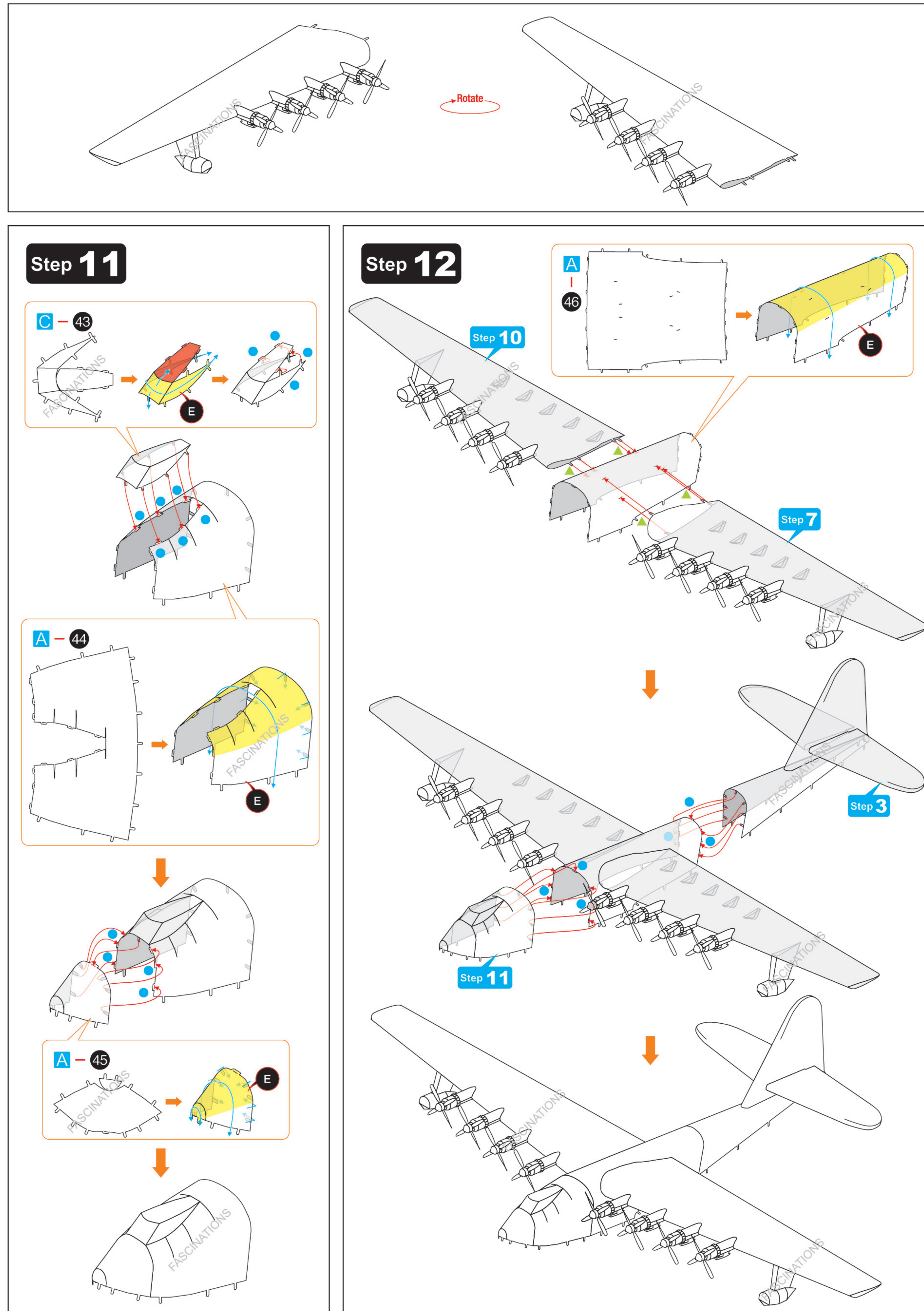
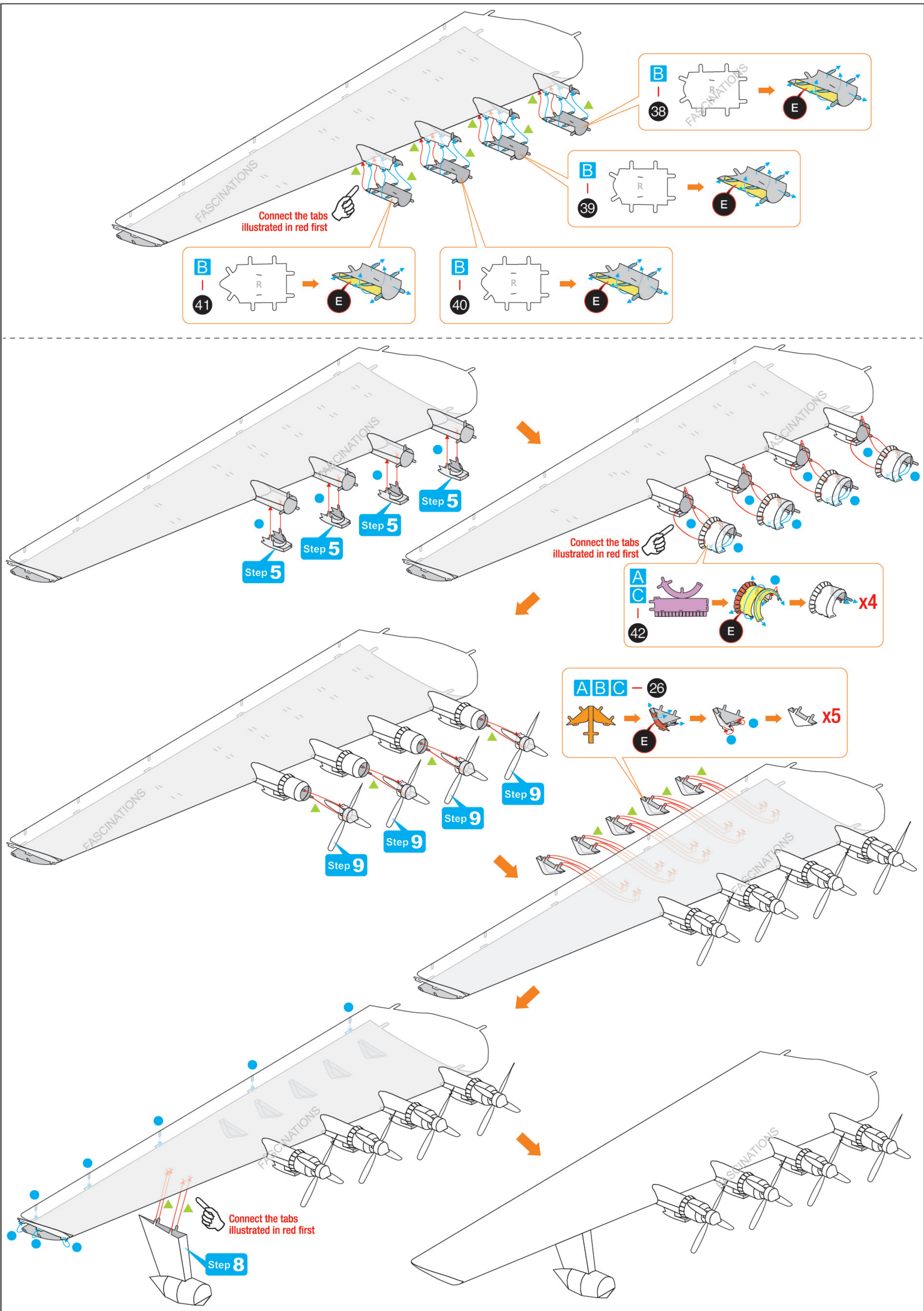
Step 6

Step 6 shows the assembly of the motor and propeller. It involves attaching a flat sheet (part ABC-13) to a curved frame (part ABC-11) using glue tabs (E). The final assembly is labeled x4.

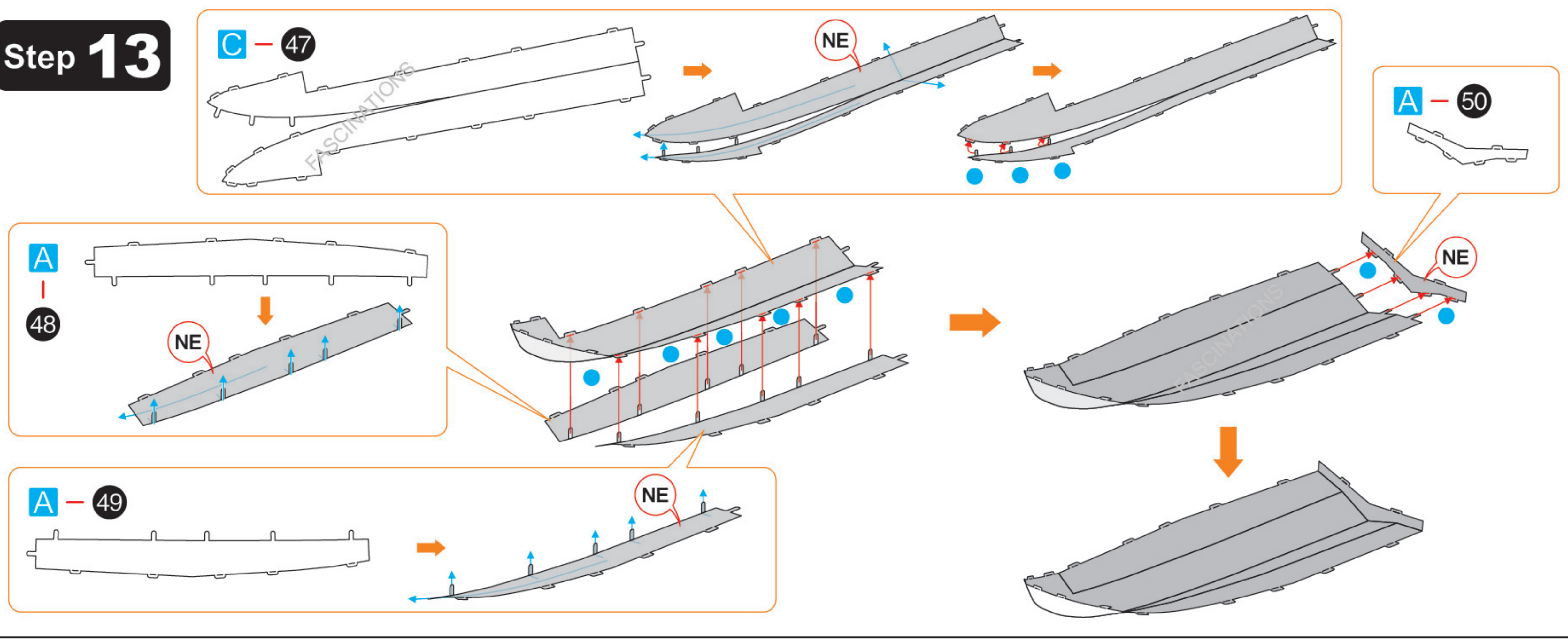
Step 7

Step 7 shows the final assembly of the fuselage. It involves attaching a flat sheet (part B-16) to a curved frame (part C-20) using glue tabs (E). The final assembly is labeled x4.

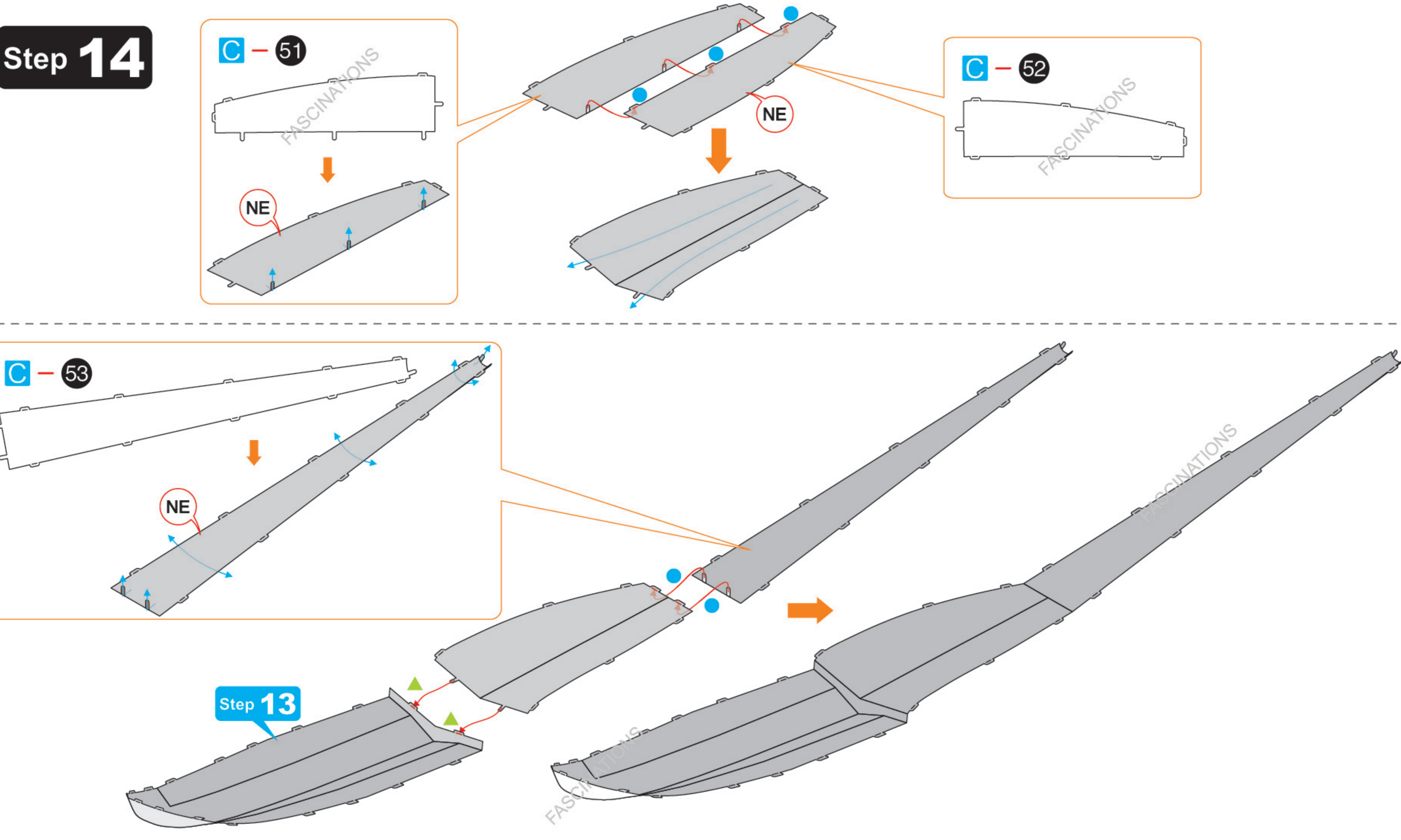




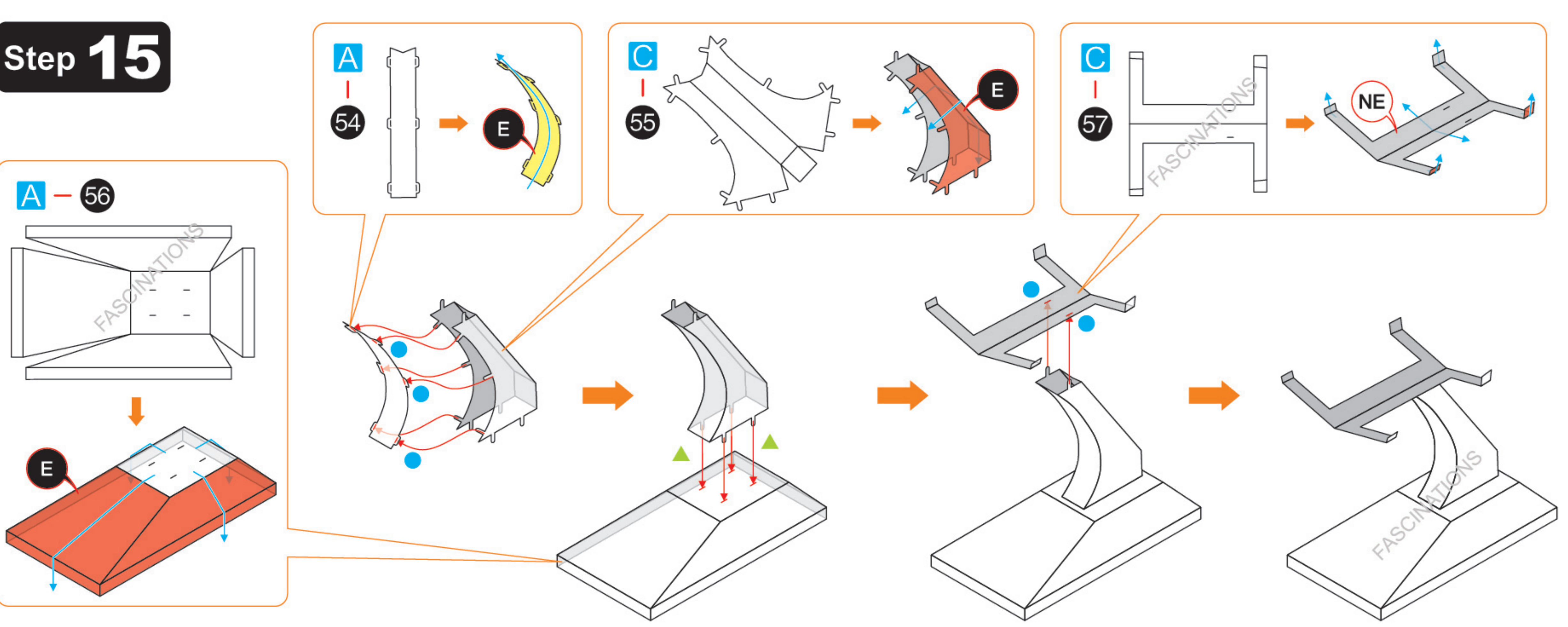
Step 13



Step 14



Step 15



Step 16

