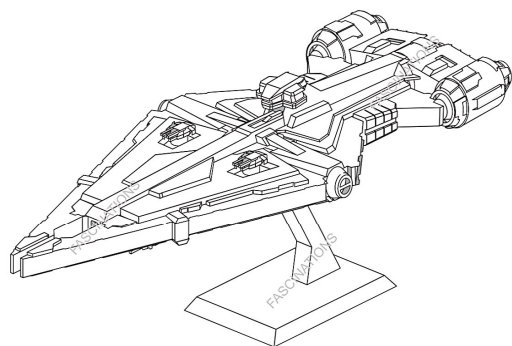




It is highly recommended that you visit [www.metalearth.com/360/ICX233](http://www.metalearth.com/360/ICX233) to see the completed model before assembling your own

### ICX233 IMPERIAL LIGHT CRUISER

### TO CREATE THE BEST CONNECTIONS

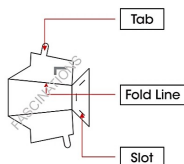


**B - 95**



Consider these engraved stripes as supporting features for the bend

**B - 14**



#### Legends:

- Engraved/ Color side
- Non - engraved/ Silver side
- Attention point
- Insert tab and bend 90 degrees
- Insert tab and twist 90 degrees

#### Assembly tip:

If needed, slightly twist tabs to hold parts together then untwist and bend them down for a nice finish.

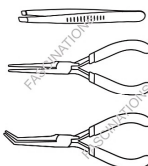
- Yellow areas should be curled
- Red areas should be folded

#### Recommended tools:

- Wire cutters: helpful for taking parts from the metal sheets.



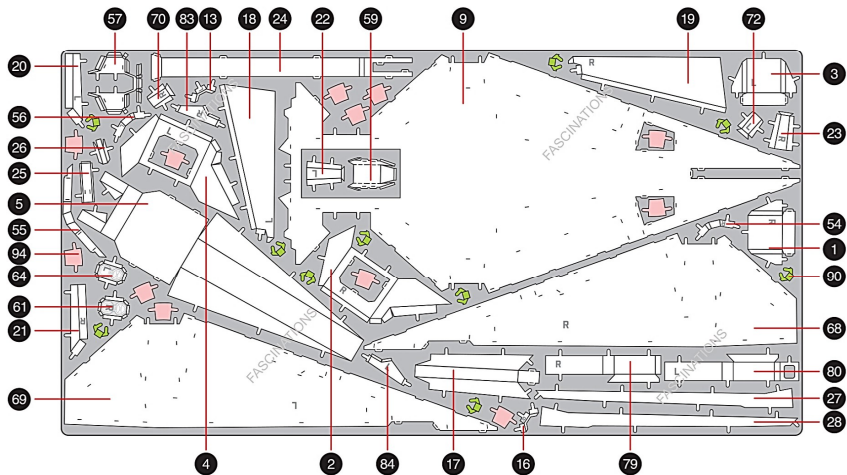
- Tweezers or needle nose pliers: helpful for folding parts, bending and twisting tabs.



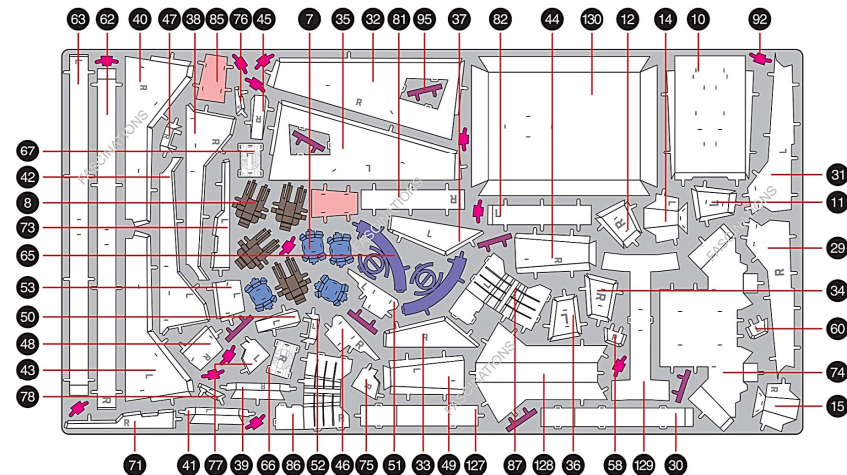
### METAL SHEETS

Parts with same color are duplicates

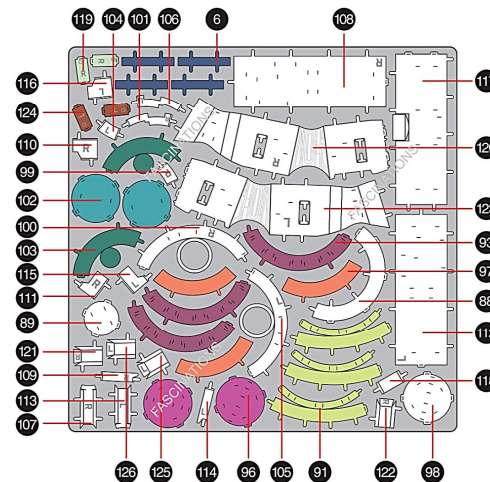
**A**



**B**



**C**

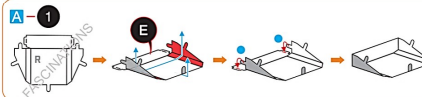


In order to avoid possible injury from sharp edges, please carefully discard the metal sheets after parts have been removed.

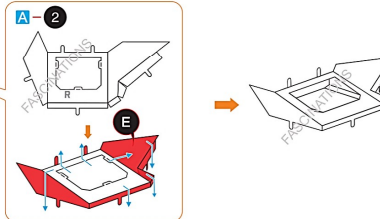
### ASSEMBLY STEPS

**Step 1**

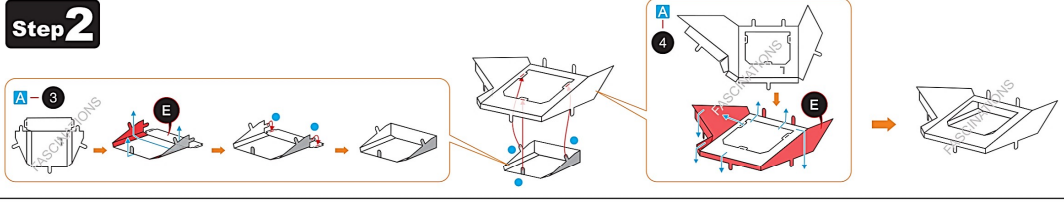
**A - 1**



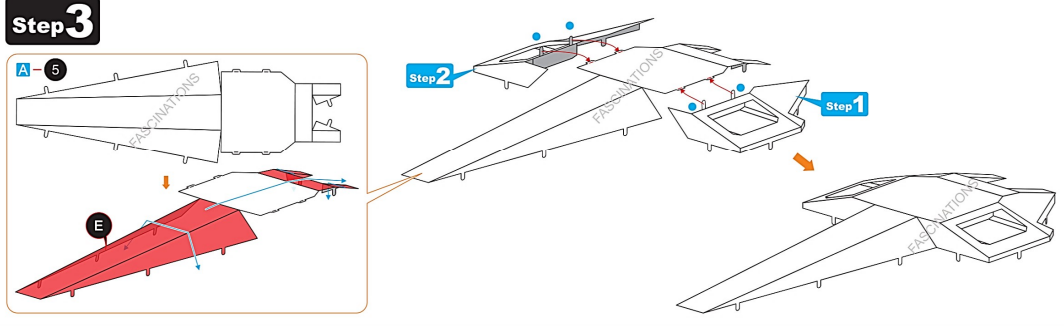
**A - 2**



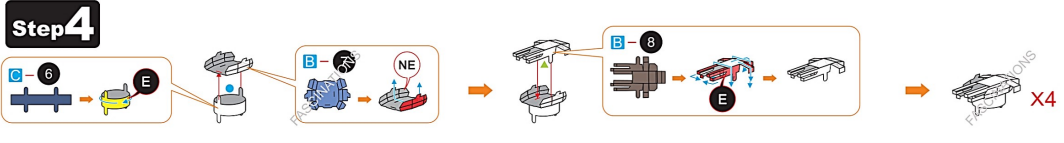
### Step 2



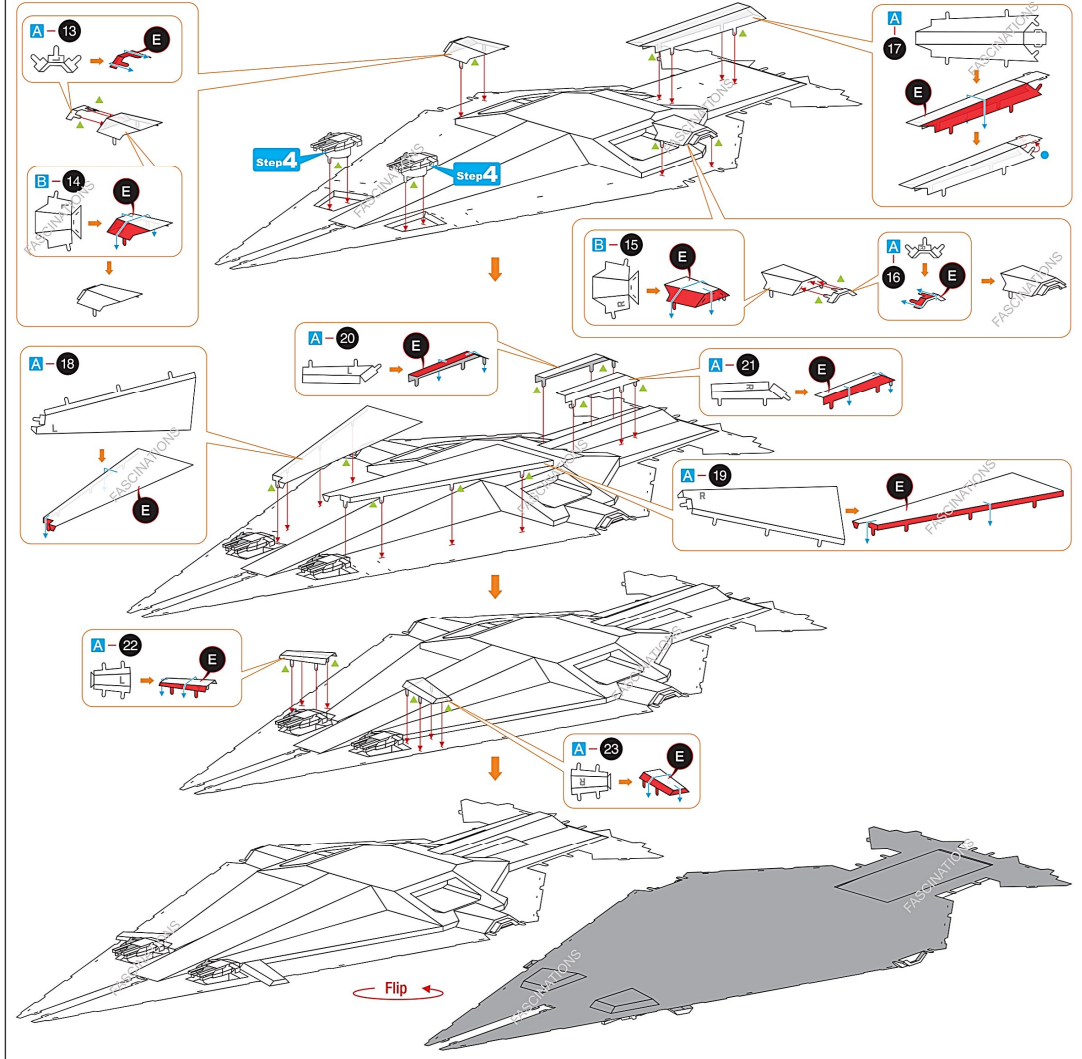
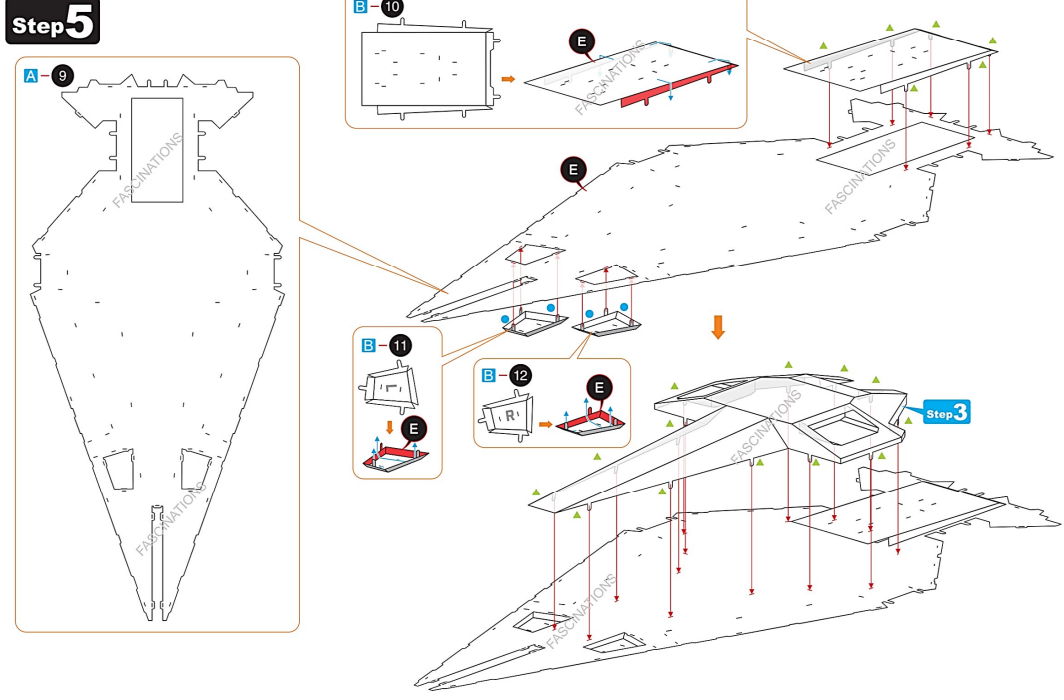
### Step 3



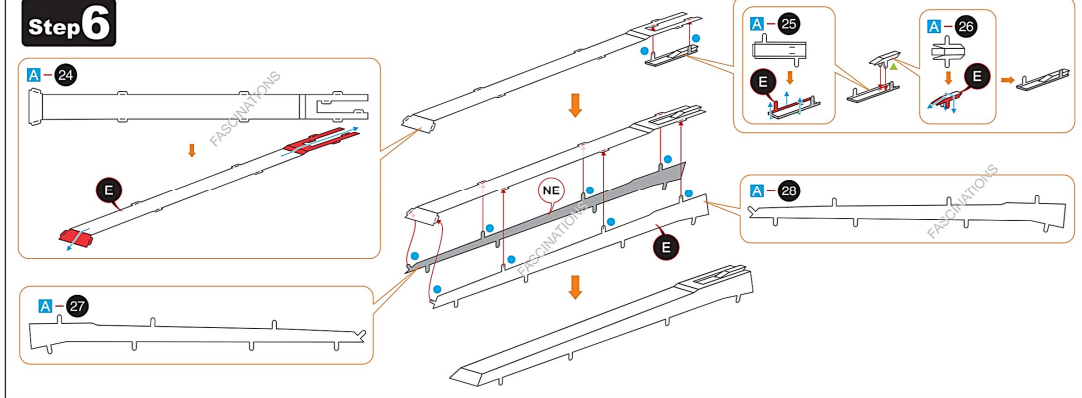
### Step 4



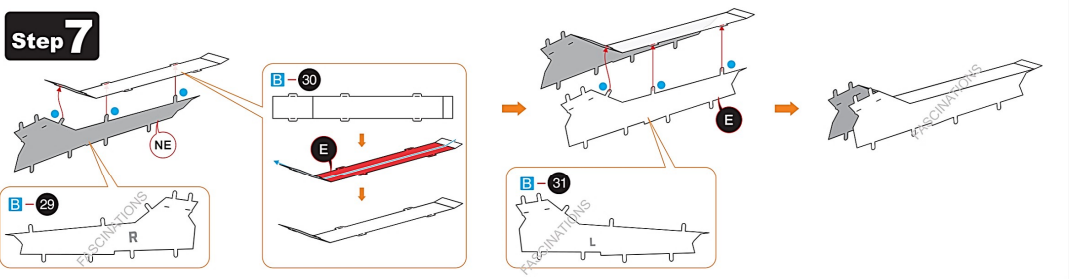
### Step 5



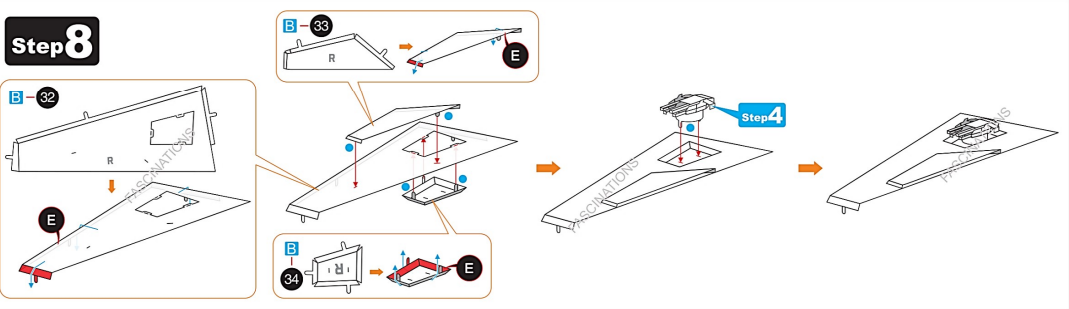
### Step 6



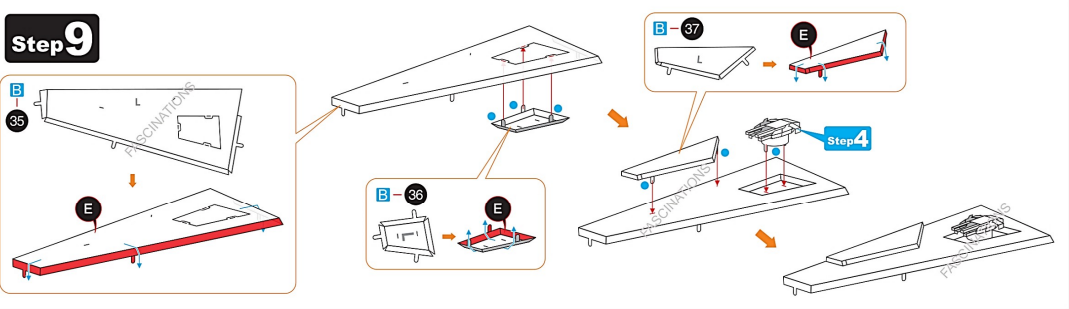
Step 7



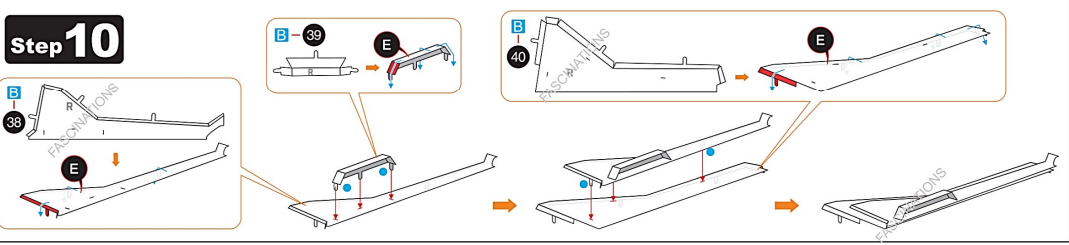
Step 8



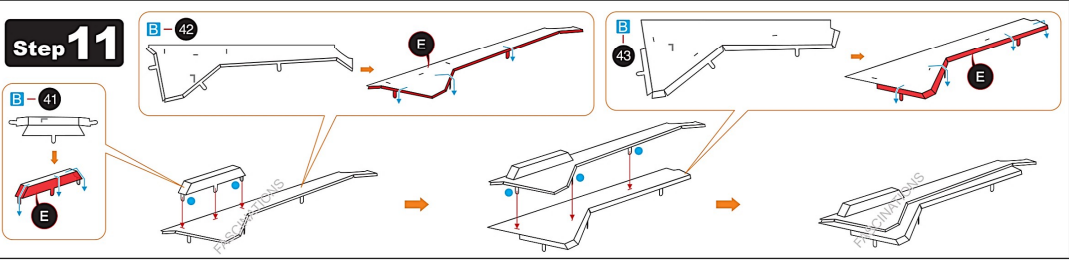
Step 9



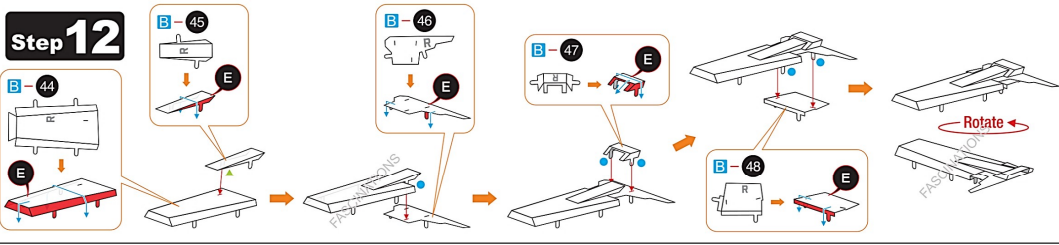
Step 10



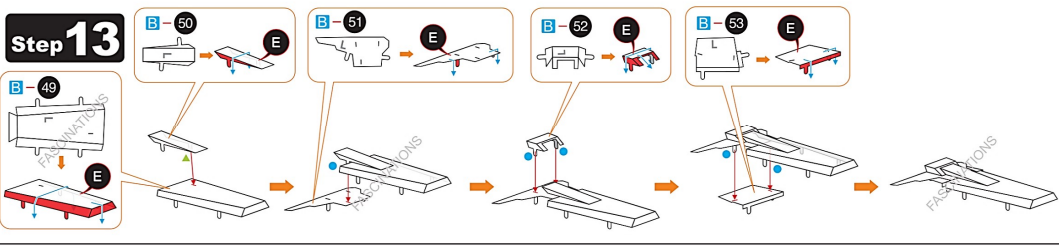
Step 11



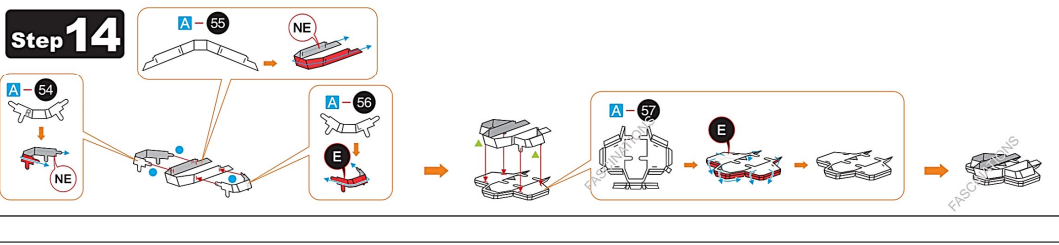
Step 12



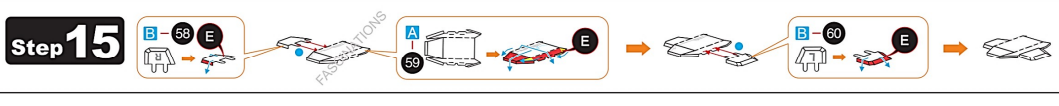
Step 13



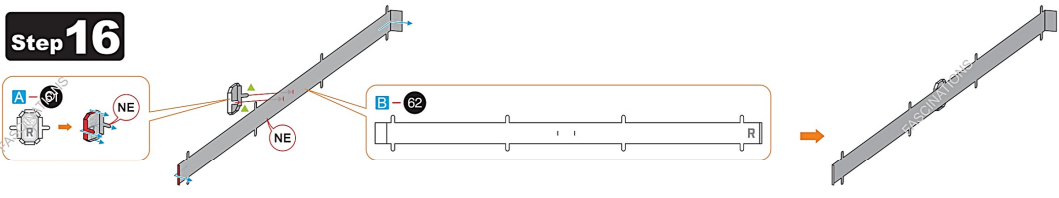
Step 14



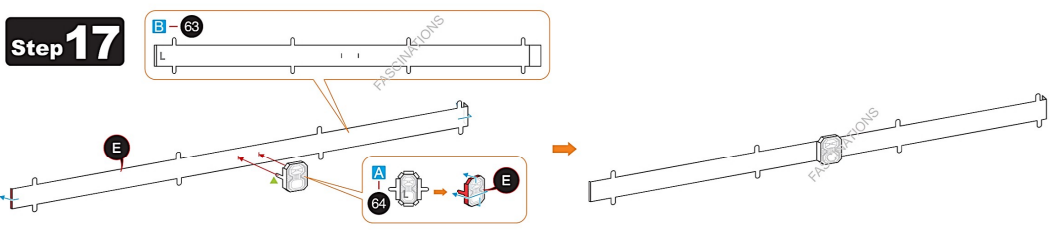
Step 15



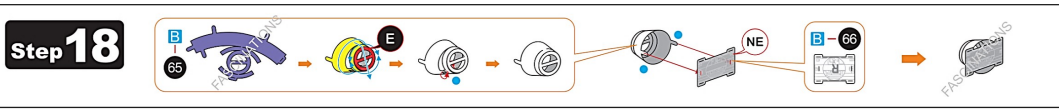
Step 16



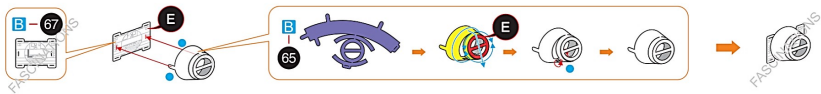
Step 17



Step 18



# Step 19



# Step 20

