

Optional Closed Door  
See page 5

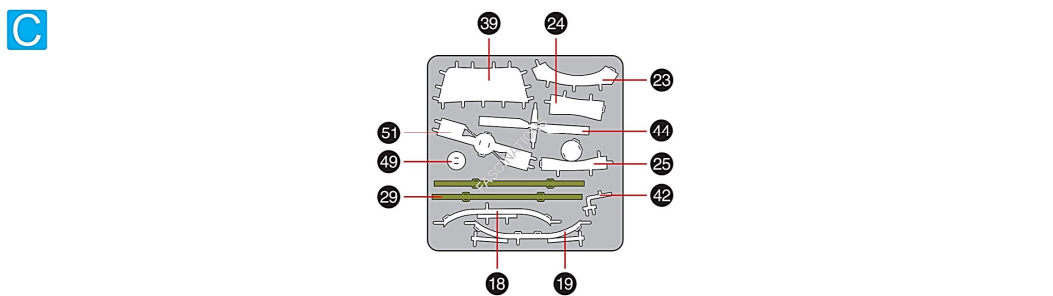
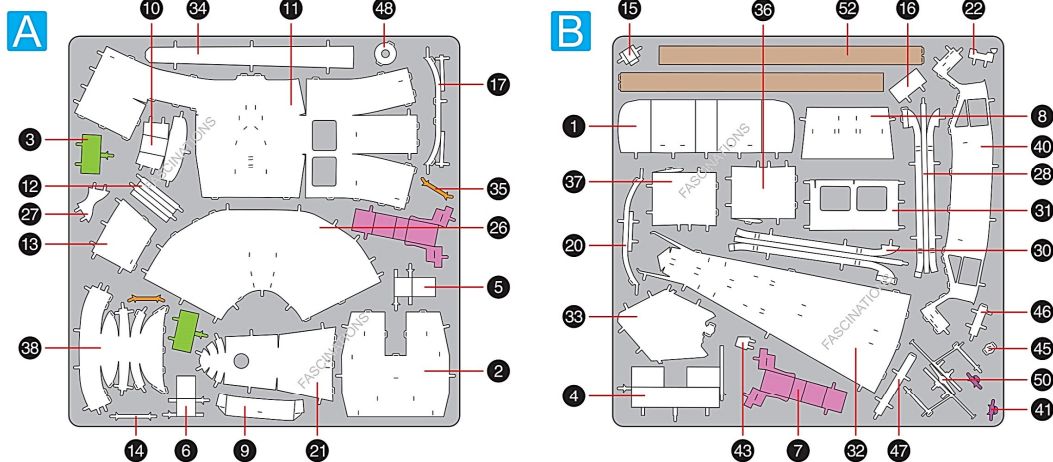
## UH-1 HUEY HELICOPTER ME1003

It is highly recommended that you visit [www.metalearth.com/360/ME1003](http://www.metalearth.com/360/ME1003) to see the completed model before assembling your own



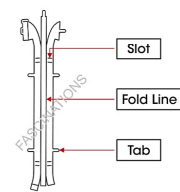
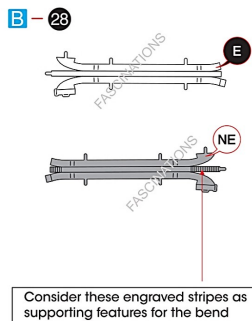
### METAL SHEETS

Parts with same color are duplicates



In order to avoid possible injury from sharp edges, please carefully discard the metal sheets after parts have been removed.

### TO CREATE THE BEST CONNECTIONS



#### Legends:

- Engraved/ Color side
- Non - engraved/ Silver side
- Attention point
- Insert tab and bend 90 degrees
- Insert tab and twist 90 degrees

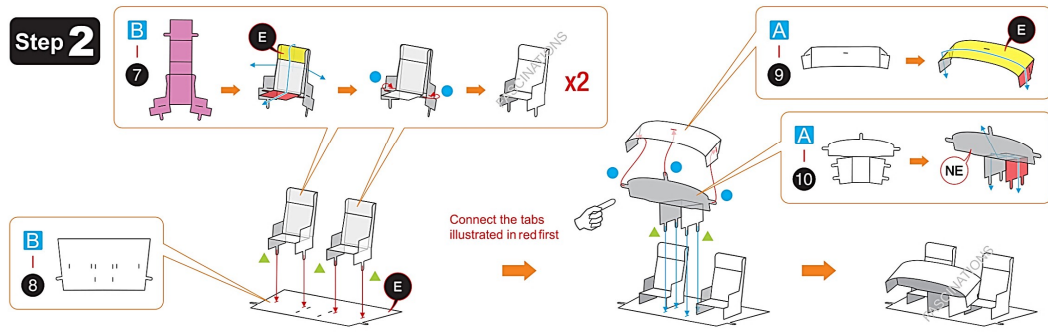
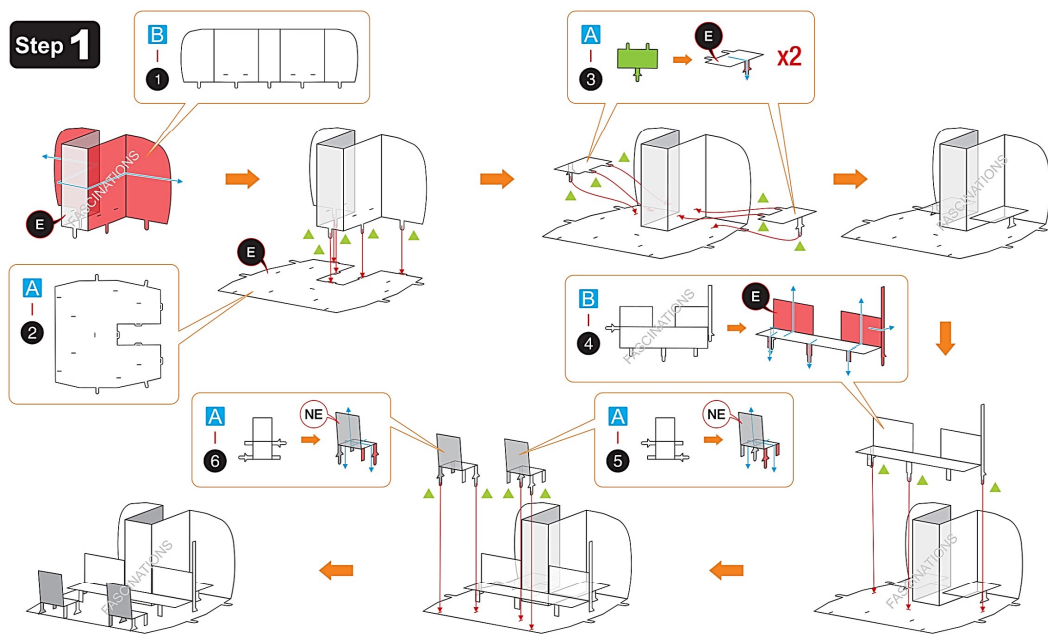
#### Recommended tools:

- Wire cutters: helpful for taking parts from the metal sheets.
- Tweezers or needle nose pliers: helpful for folding parts, bending and twisting tabs.

#### Assembly tip:

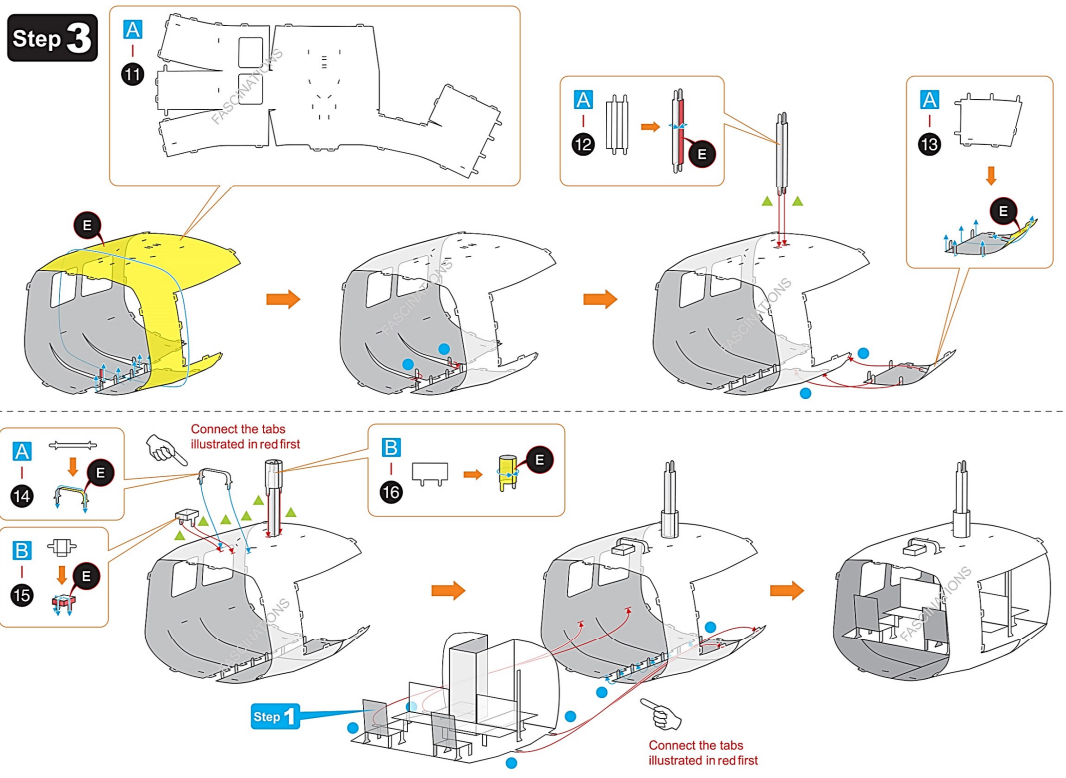
- If needed, slightly twist tabs to hold parts together then untwist and bend them down for a nice finish.
- Yellow areas should be curled
- Red areas should be folded

### ASSEMBLY FLOW CHART

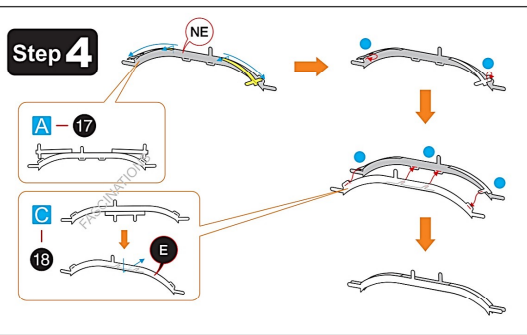


Connect the tabs illustrated in red first

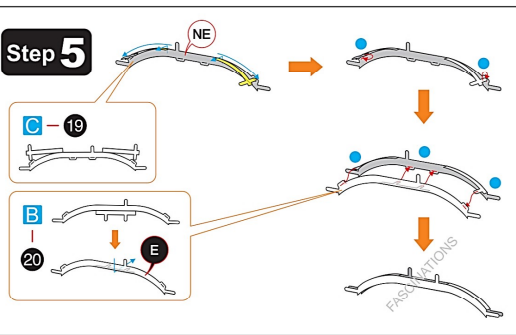
Step 3



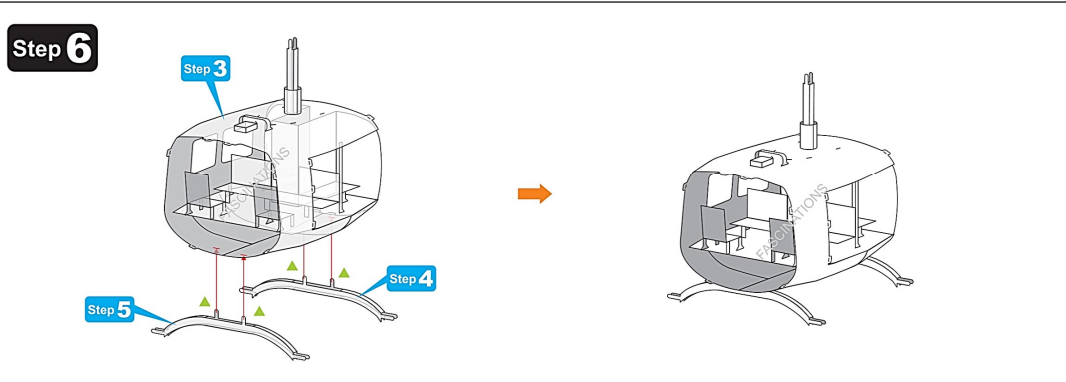
Step 4



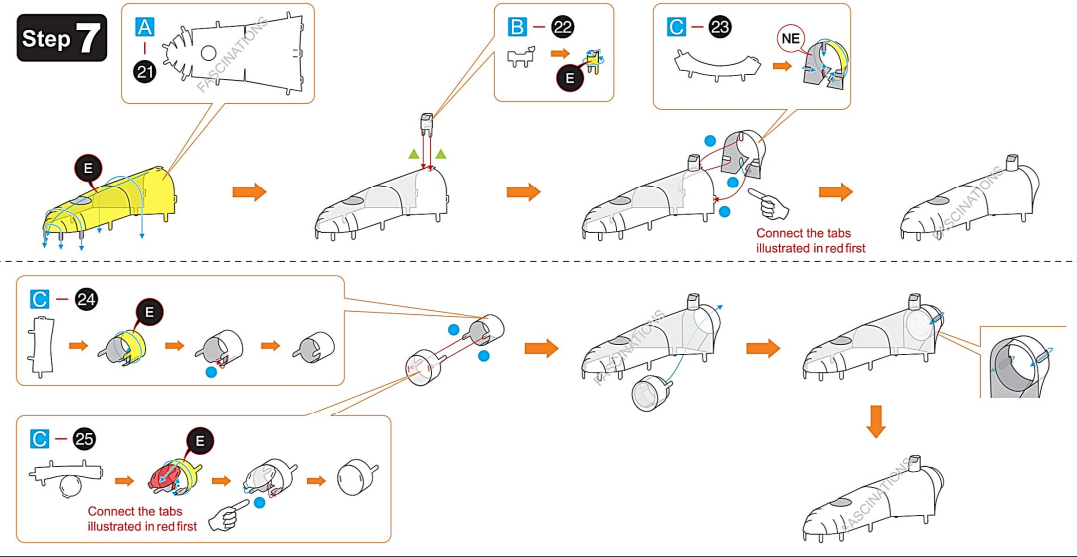
Step 5



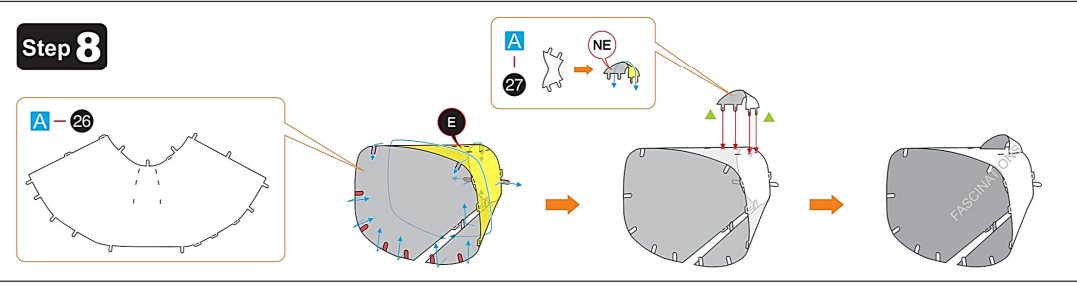
Step 6



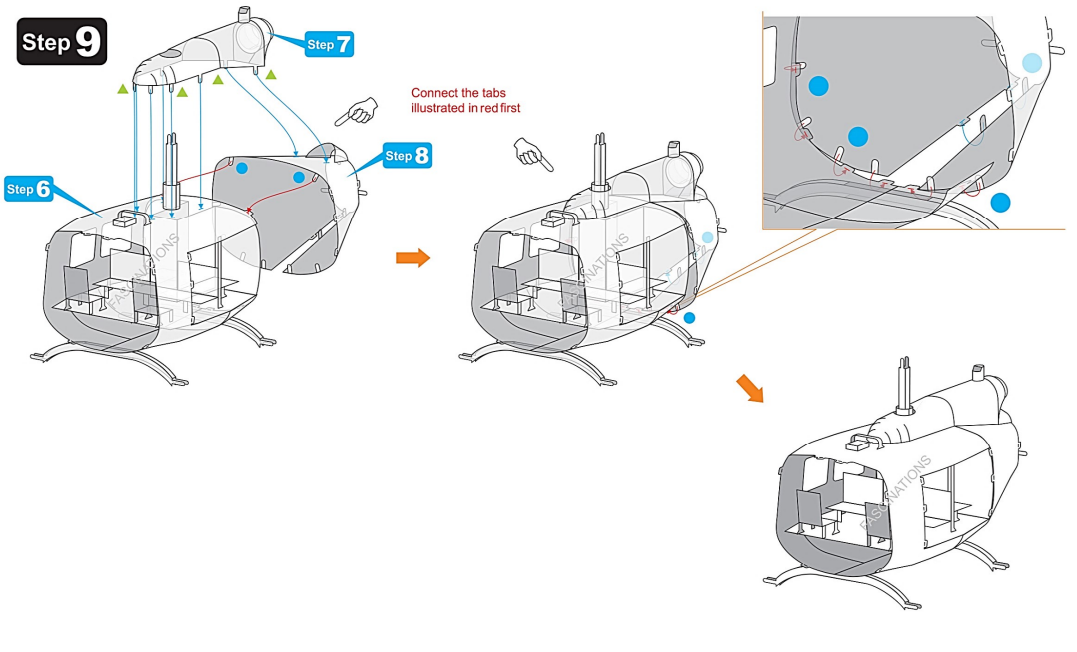
Step 7



Step 8

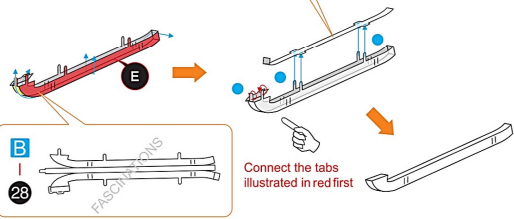
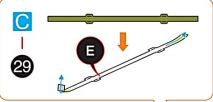


Step 9



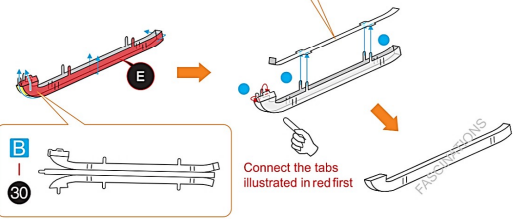
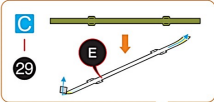


Step 10



Connect the tabs illustrated in red first

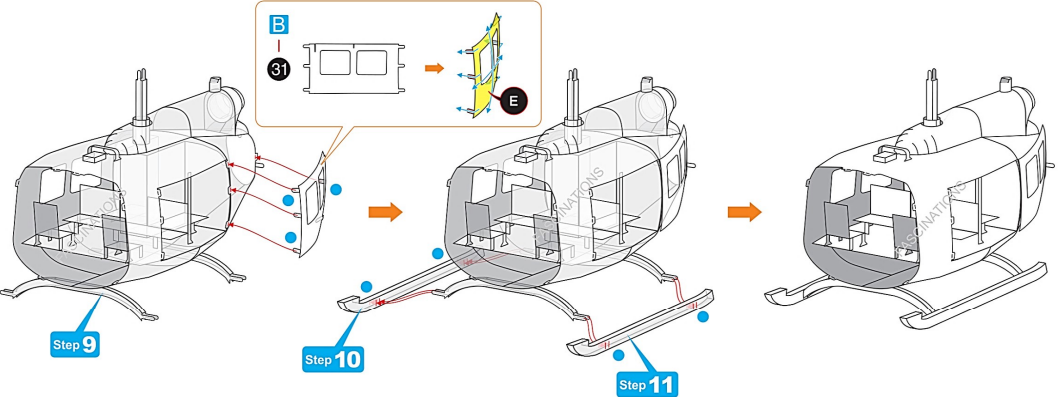
Step 11



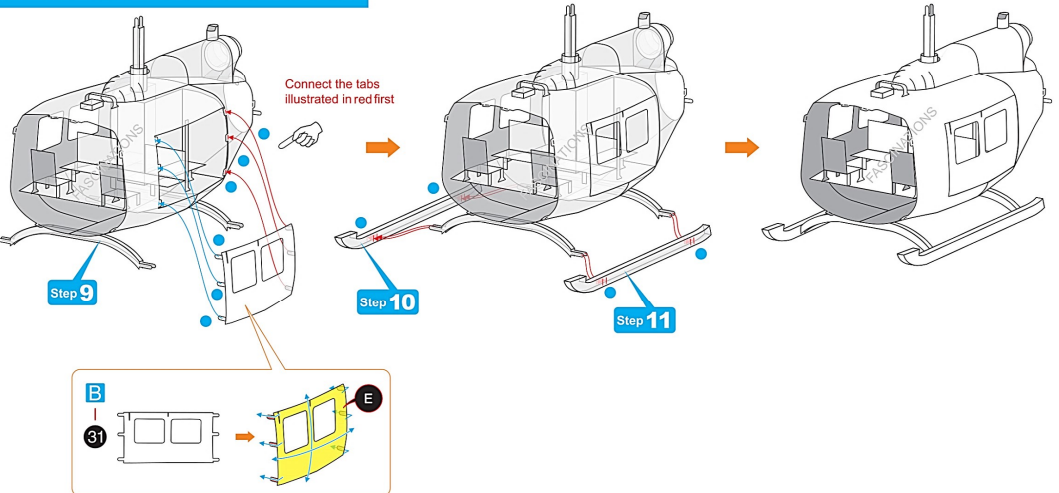
Connect the tabs illustrated in red first

Step 12

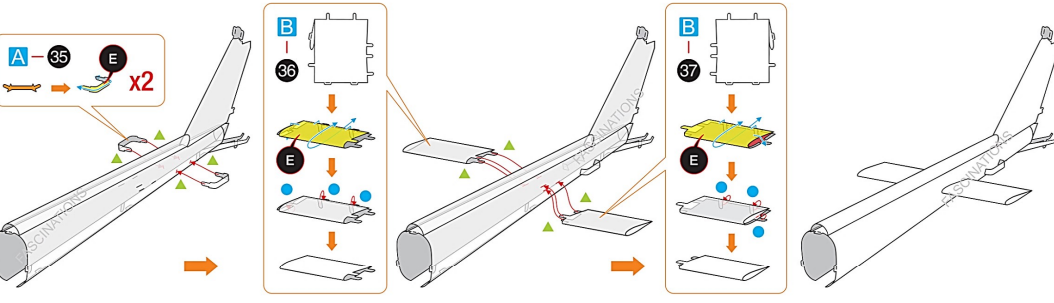
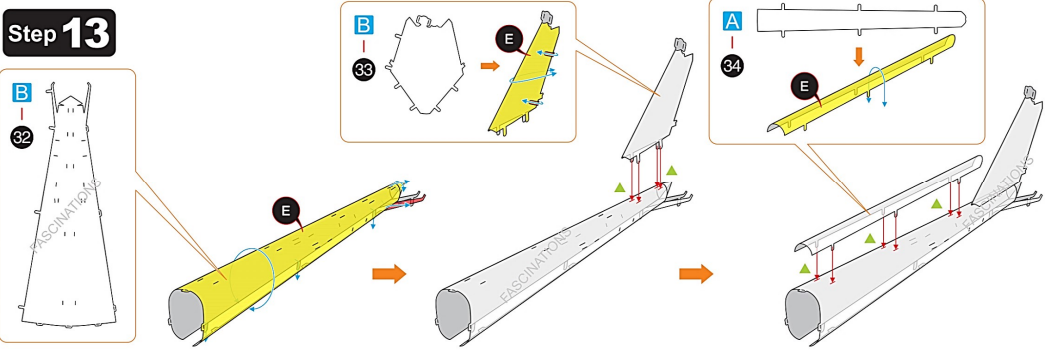
OPTIONAL OPEN DOOR



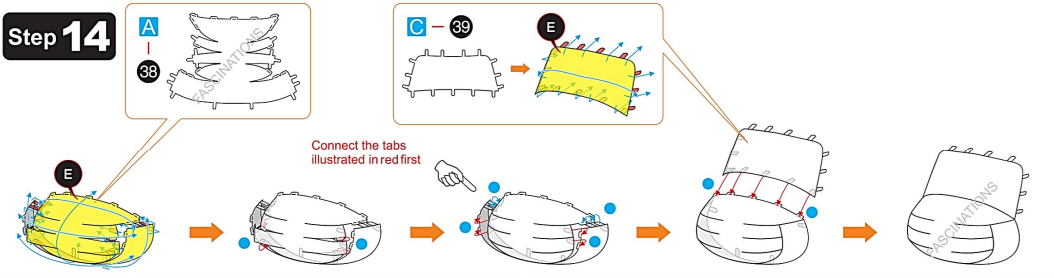
OPTIONAL CLOSED DOOR



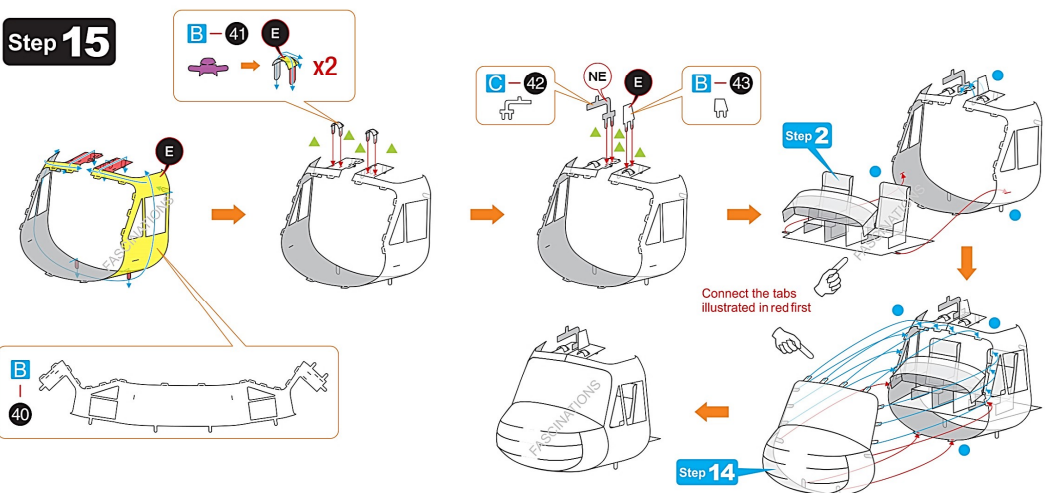
Step 13



Step 14



Step 15



**Step 16**

