

FORD TRIMOTOR MMS467



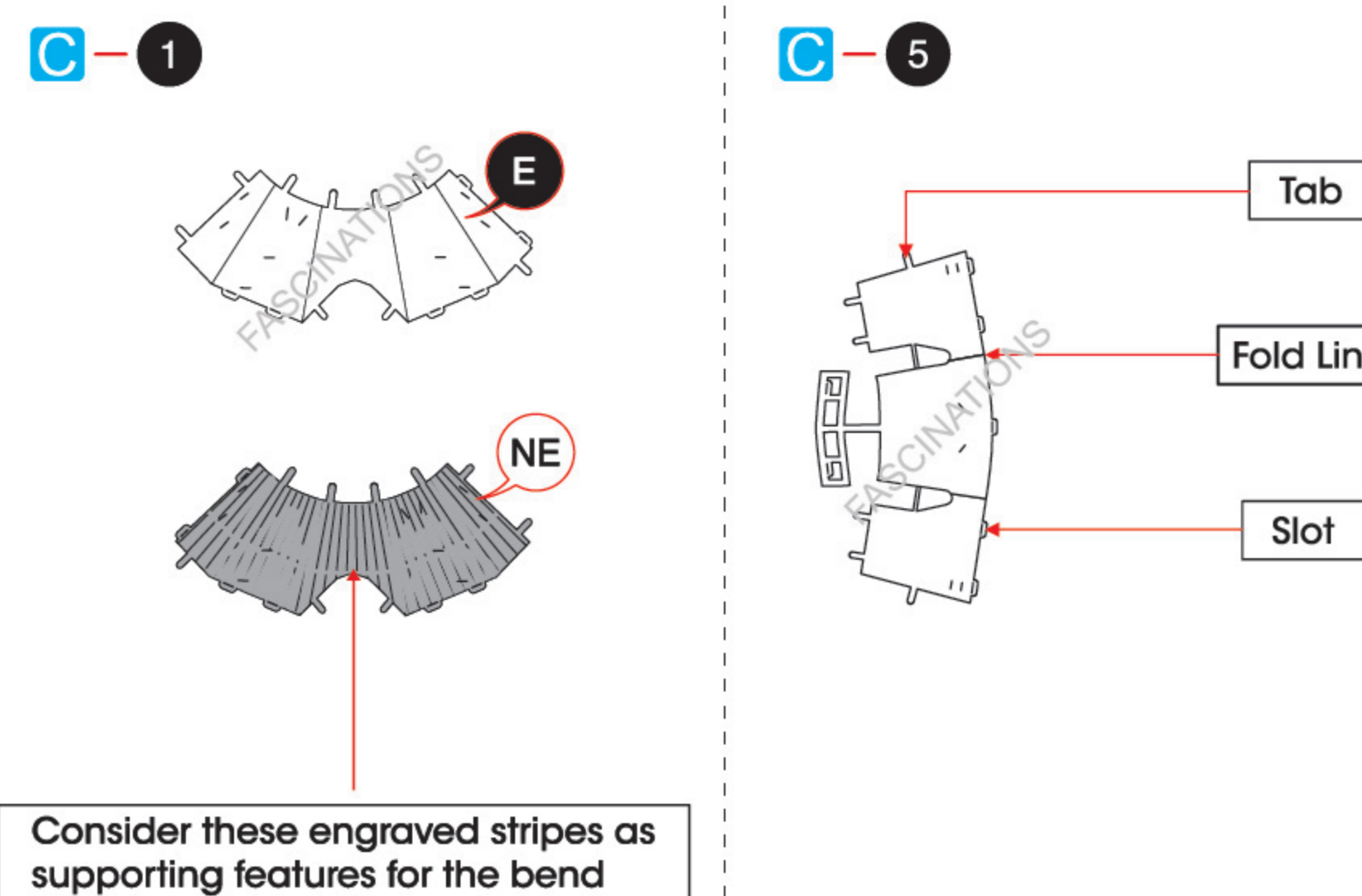
Ford Motor Company Trademarks and Trade Dress used under license to Fascinations, Inc.

360°
view



It is highly recommended that you visit www.metalearth.com/360/MMS467 to see the completed model before assembling your own

TO CREATE THE BEST CONNECTIONS



Legends:

- E** Engraved/ Color side
- NE** Non - engraved/ Silver side
- Attention point
- Insert tab and bend 90 degrees
- Insert tab and twist 90 degrees

Assembly tip:

If needed, slightly twist tabs to hold parts together then untwist and bend them down for a nice finish.

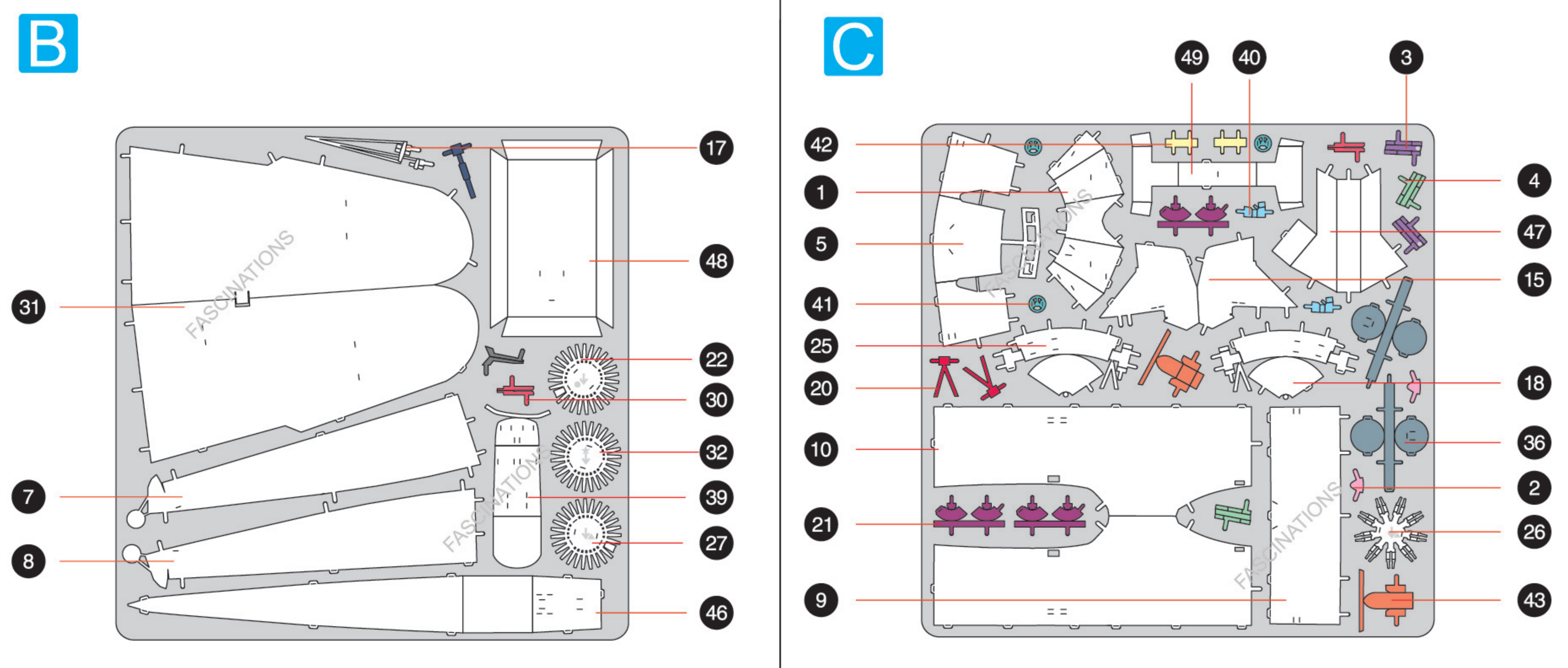
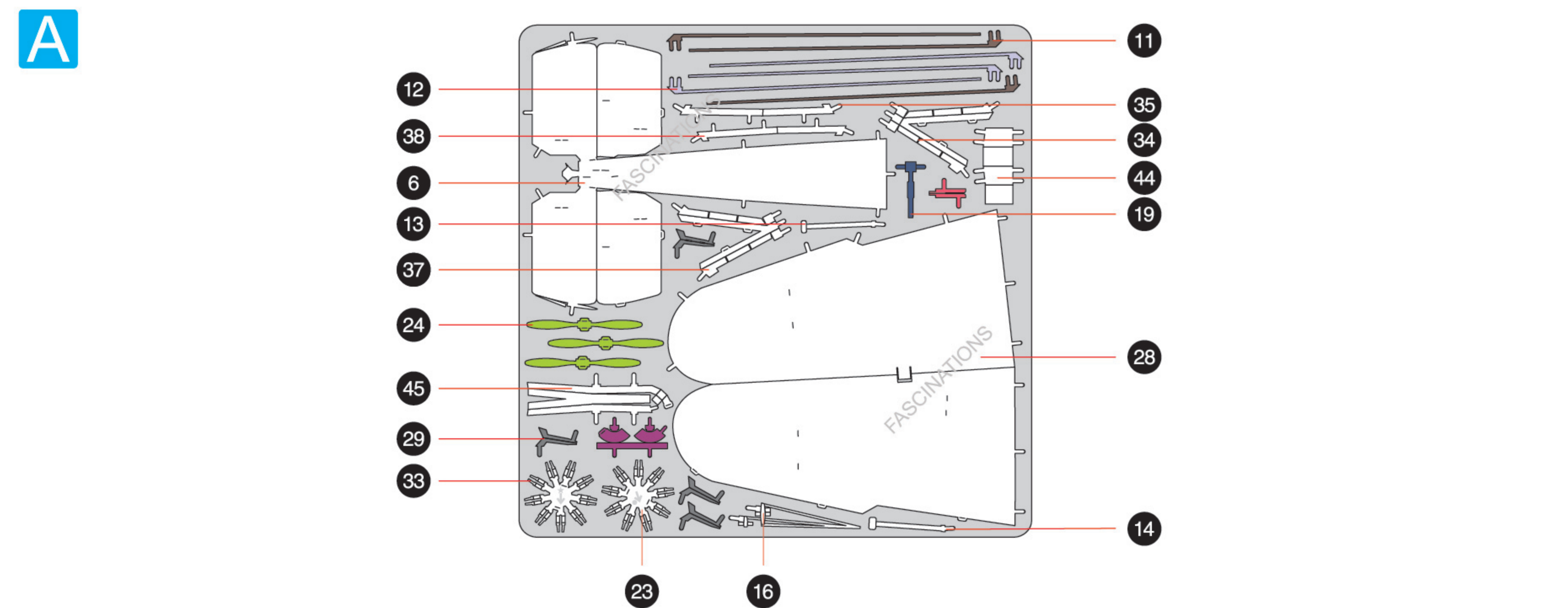
- Yellow areas should be curled
- Red areas should be folded

Recommended tools:

- Wire cutters: helpful for taking parts from the metal sheets.
- Tweezers or needle nose pliers: helpful for folding parts, bending and twisting tabs.

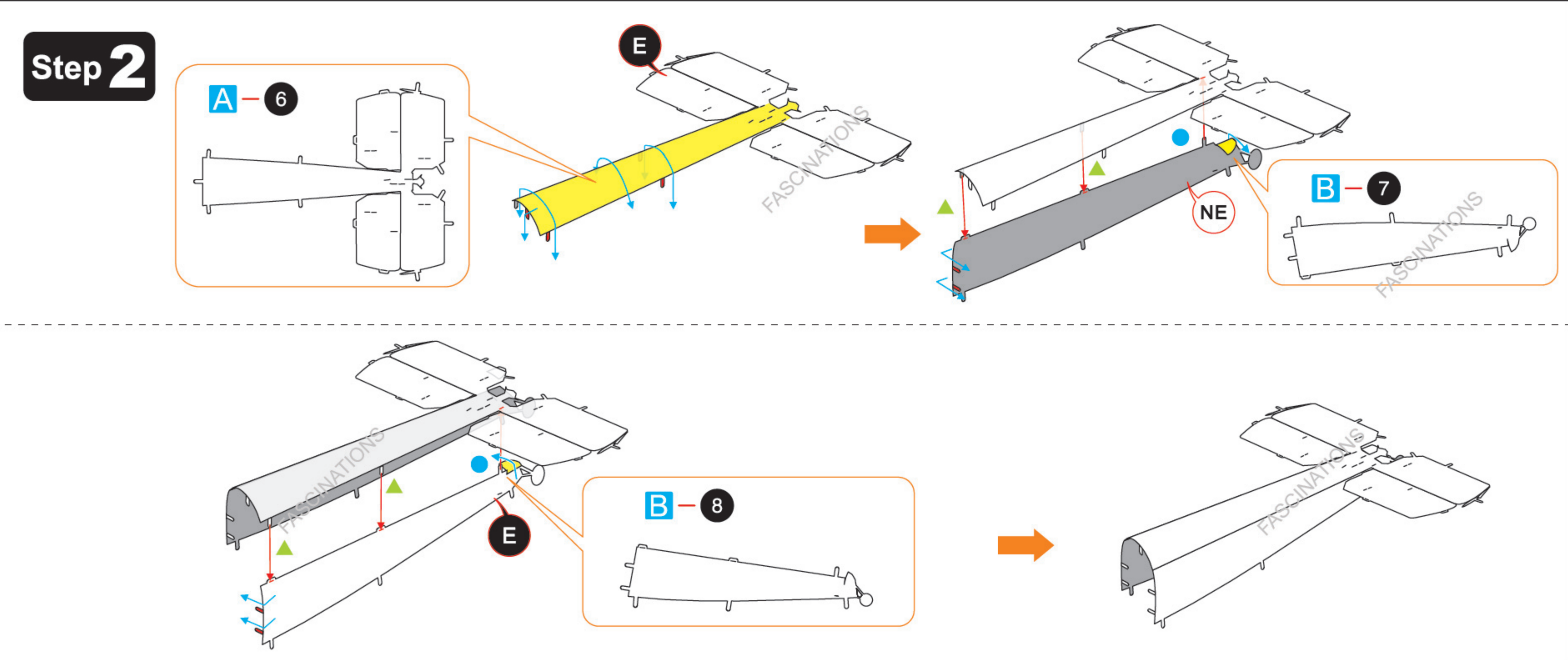
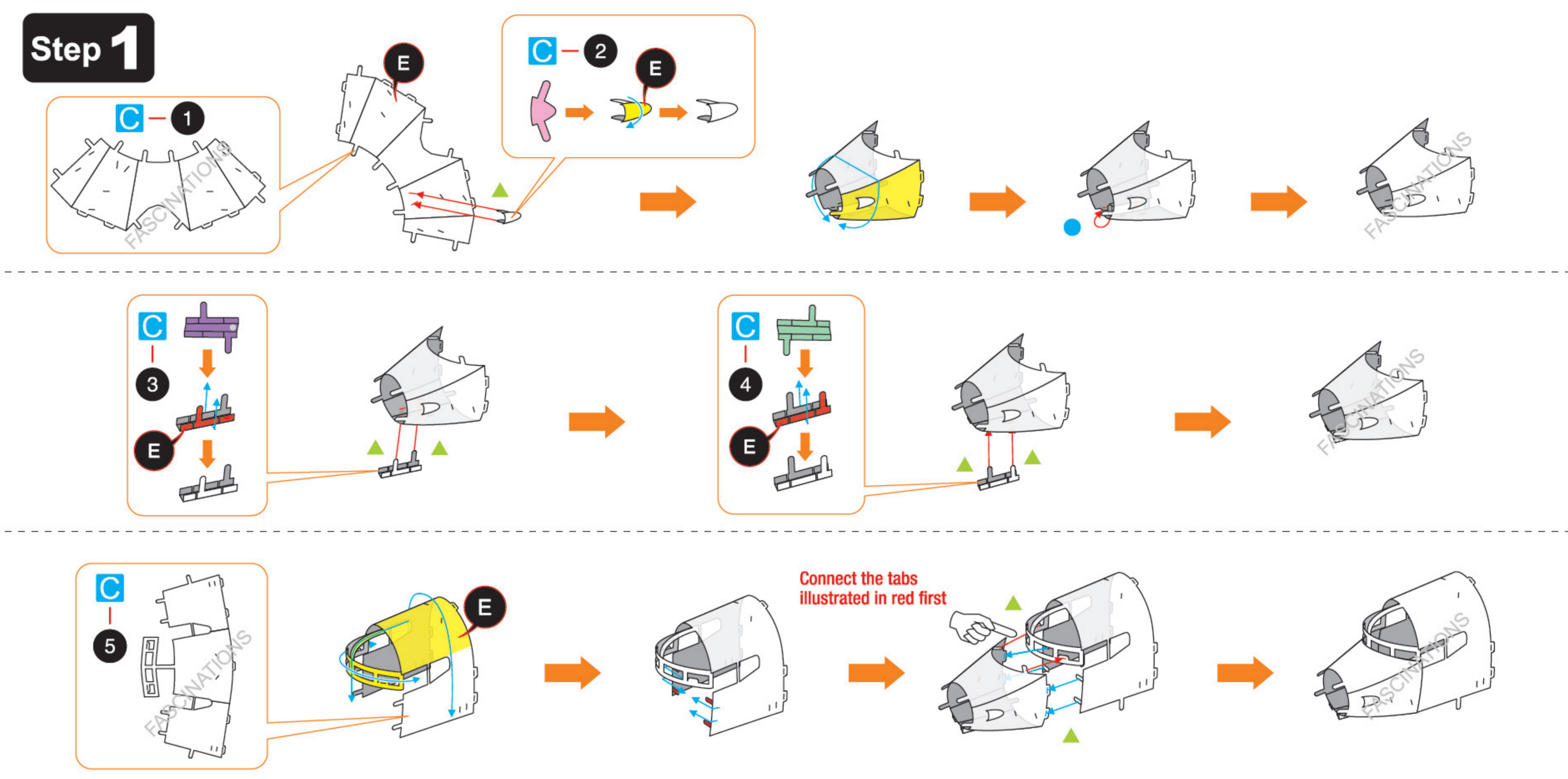
METAL SHEETS

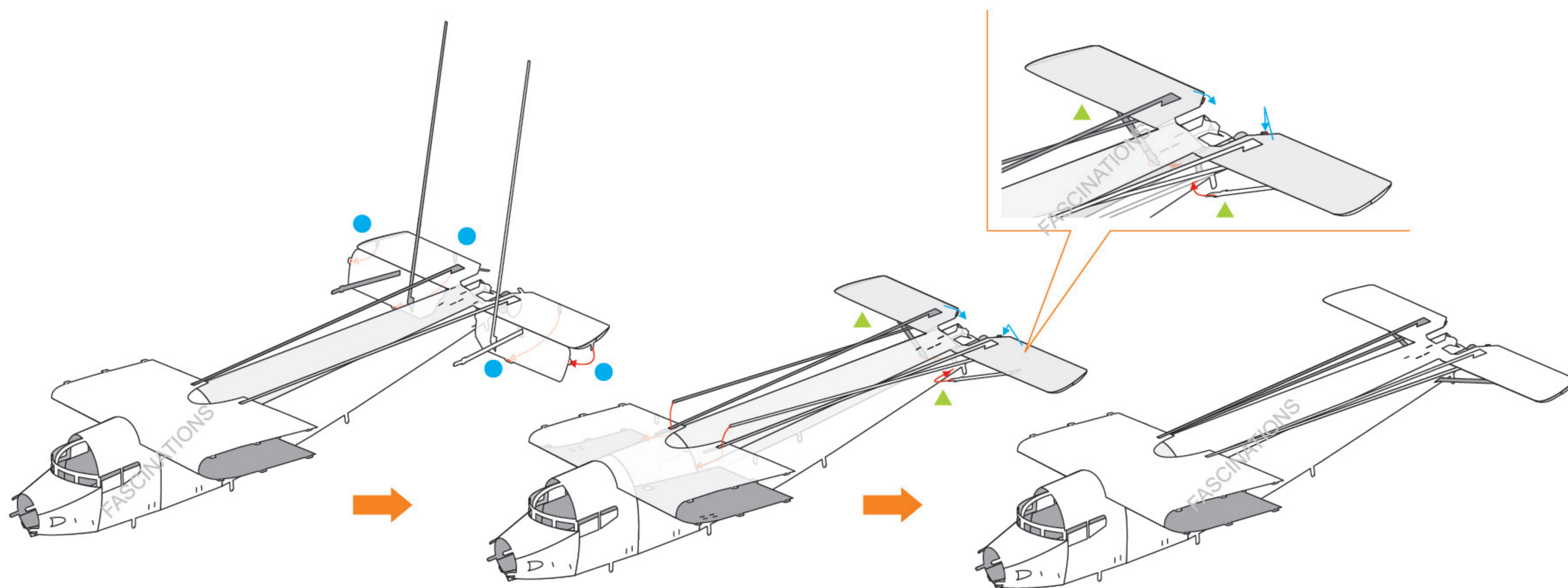
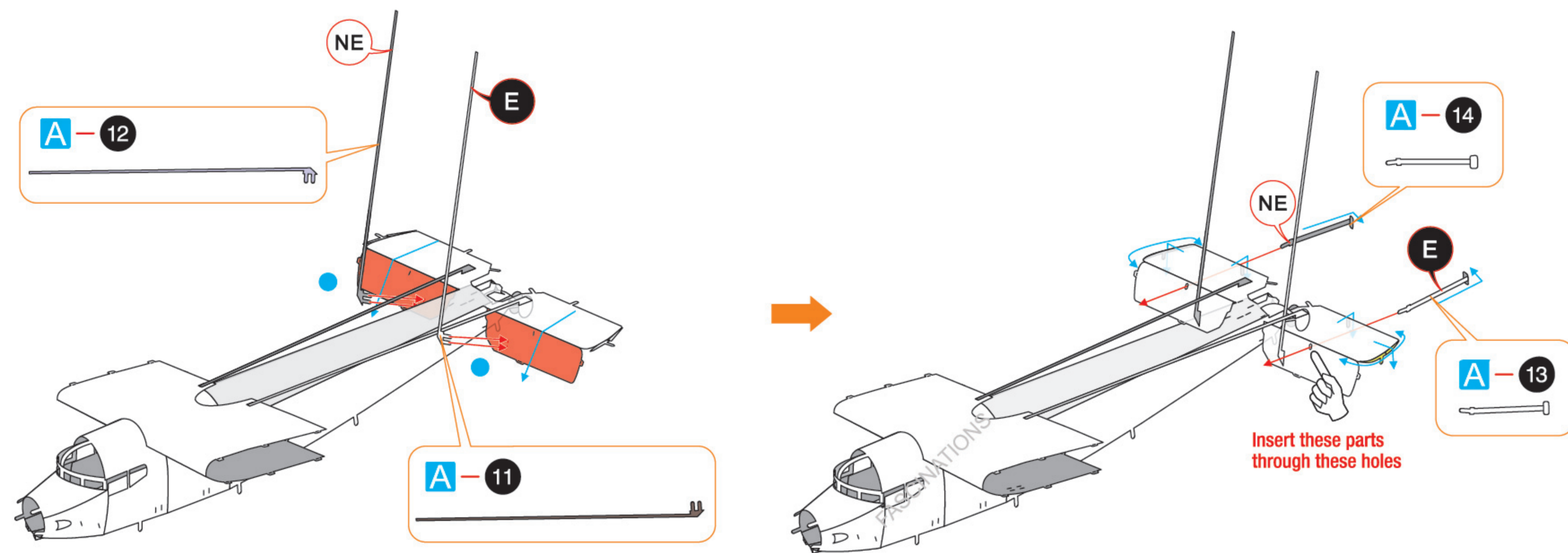
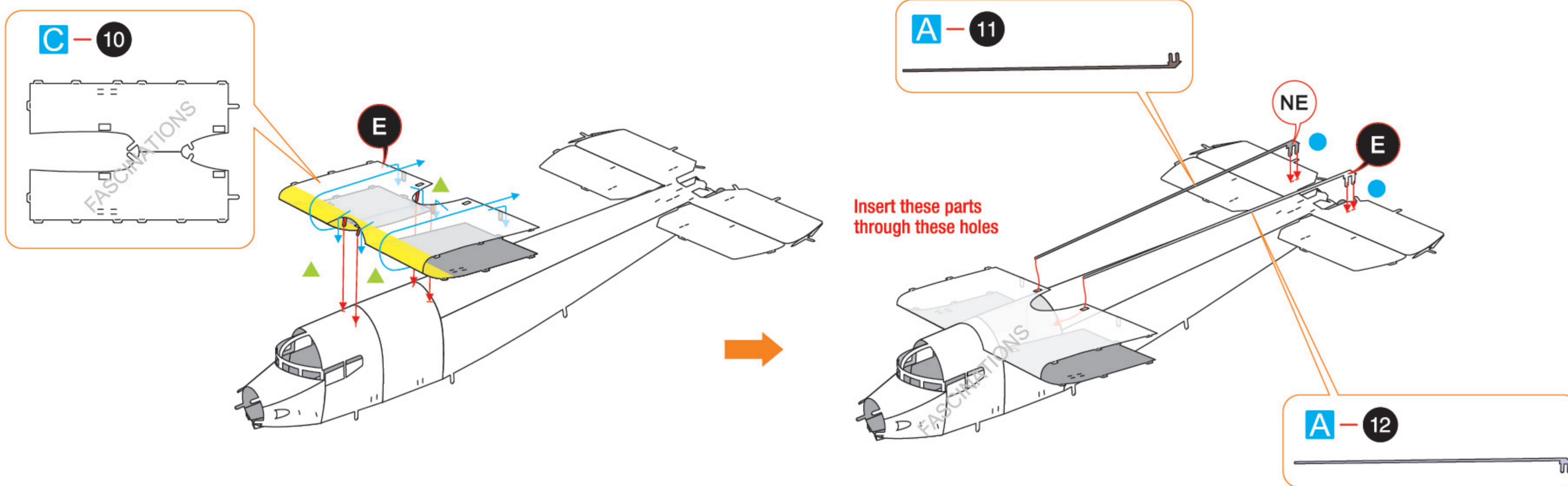
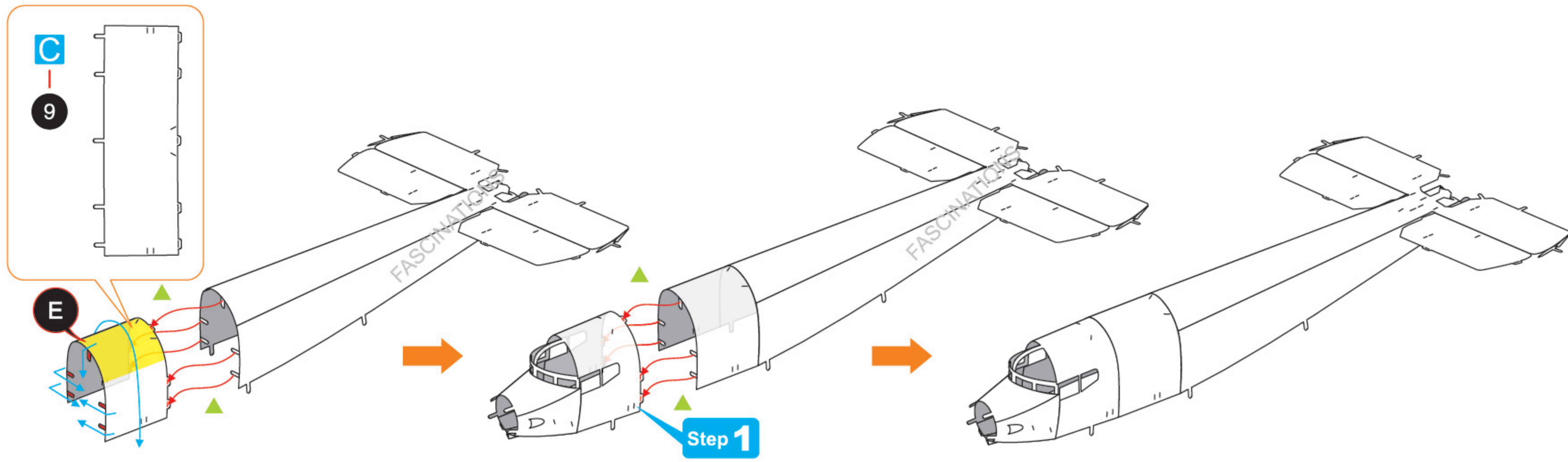
Parts with same color are duplicates



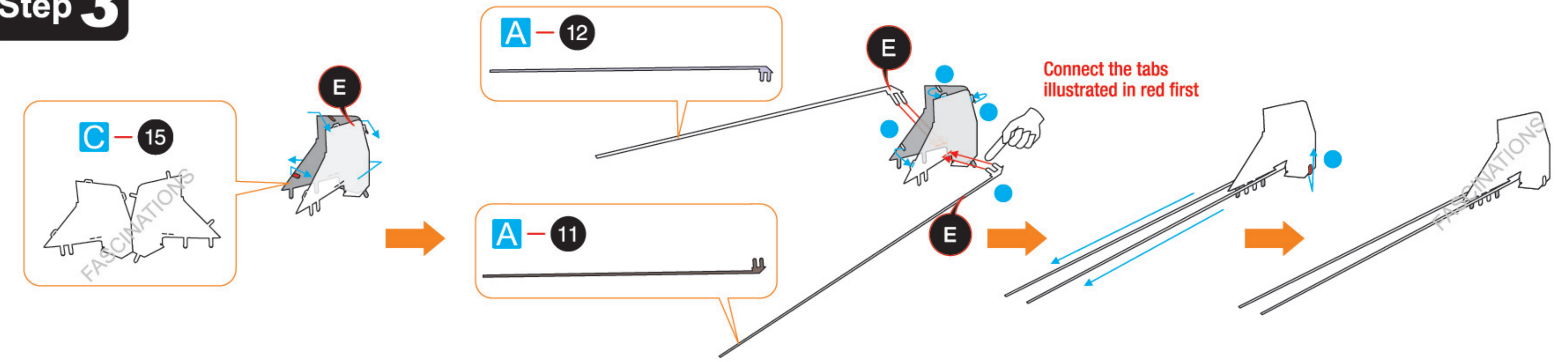
In order to avoid possible injury from sharp edges, please carefully discard the metal sheets after parts have been removed.

ASSEMBLY FLOW CHART

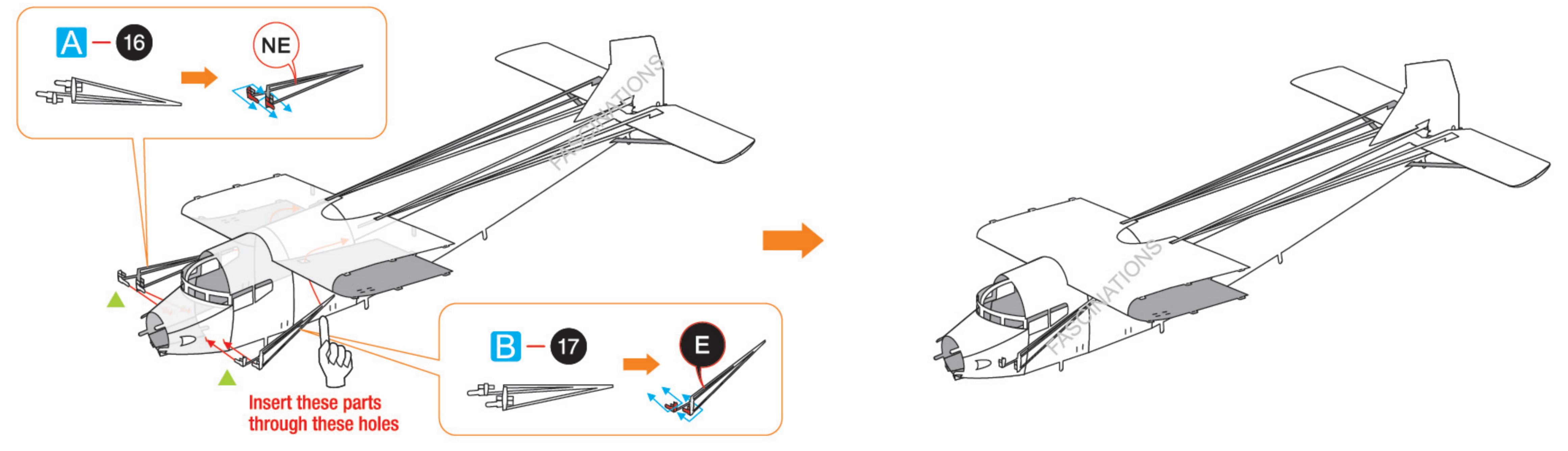
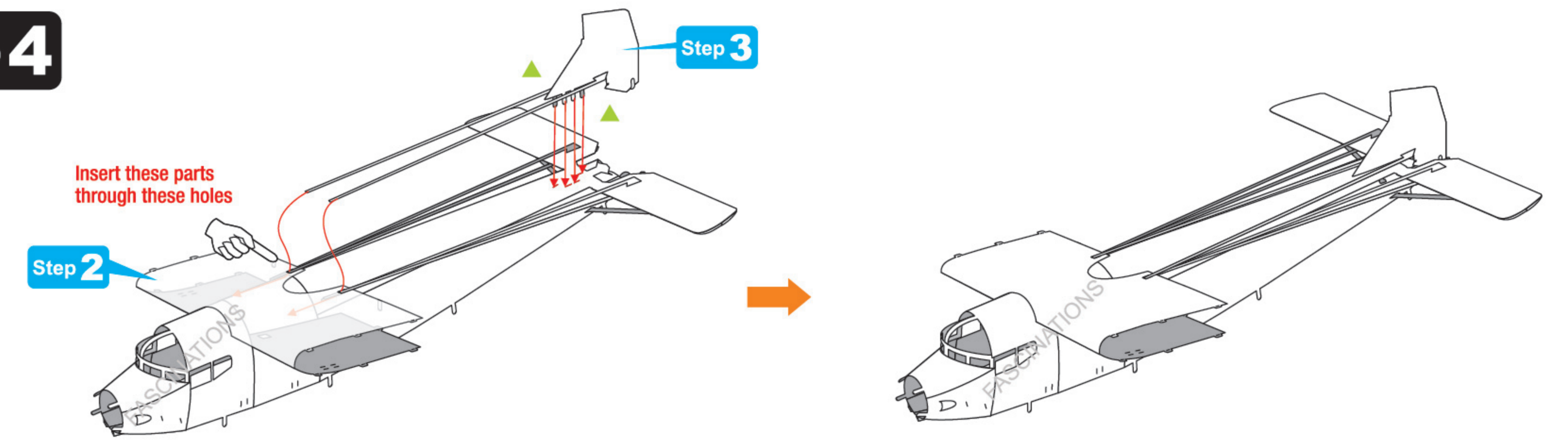




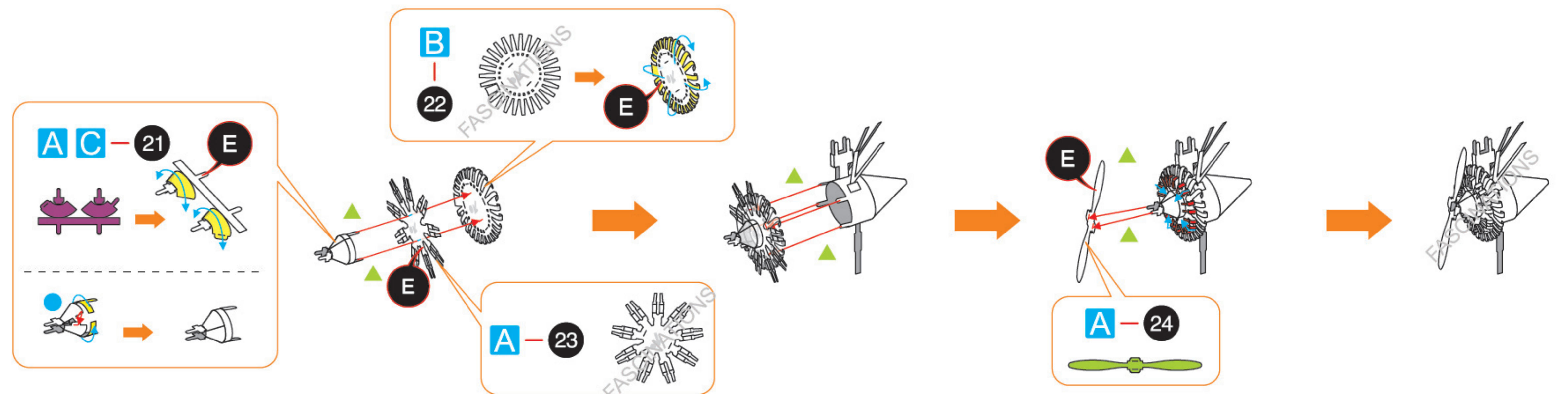
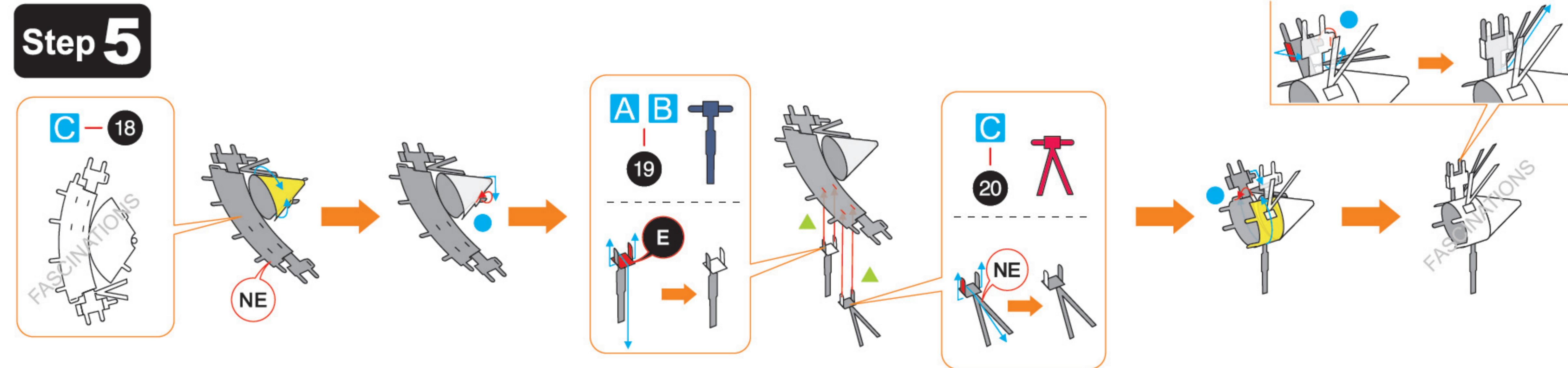
Step 3



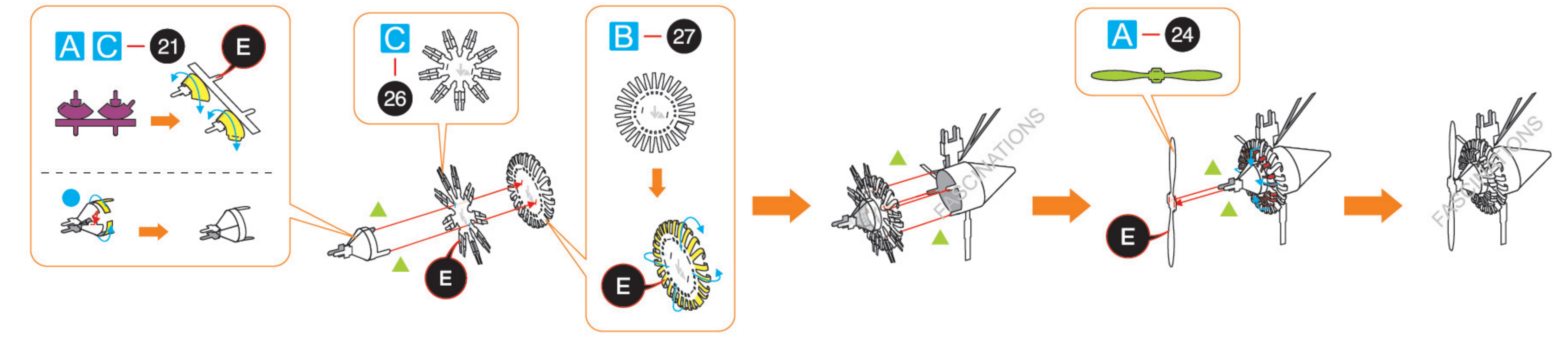
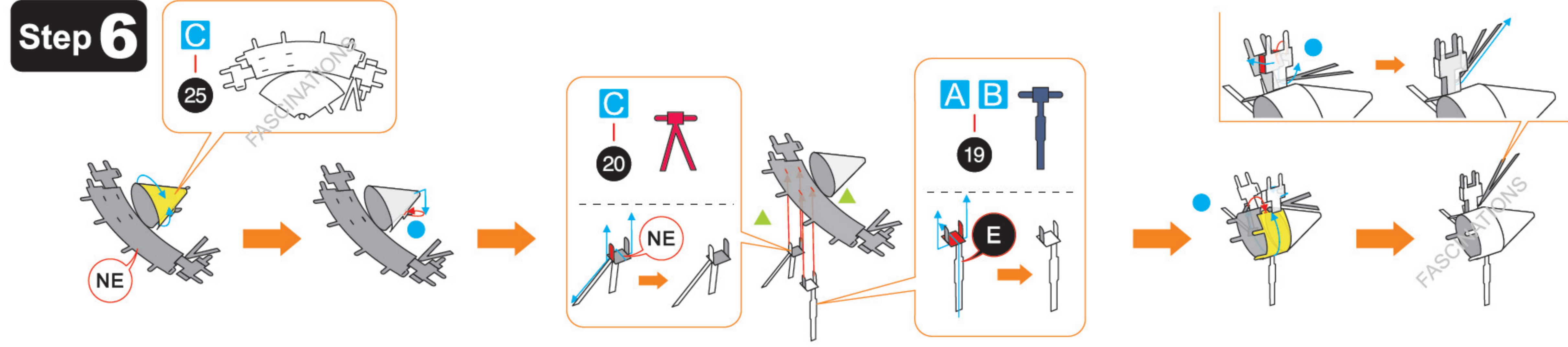
Step 4



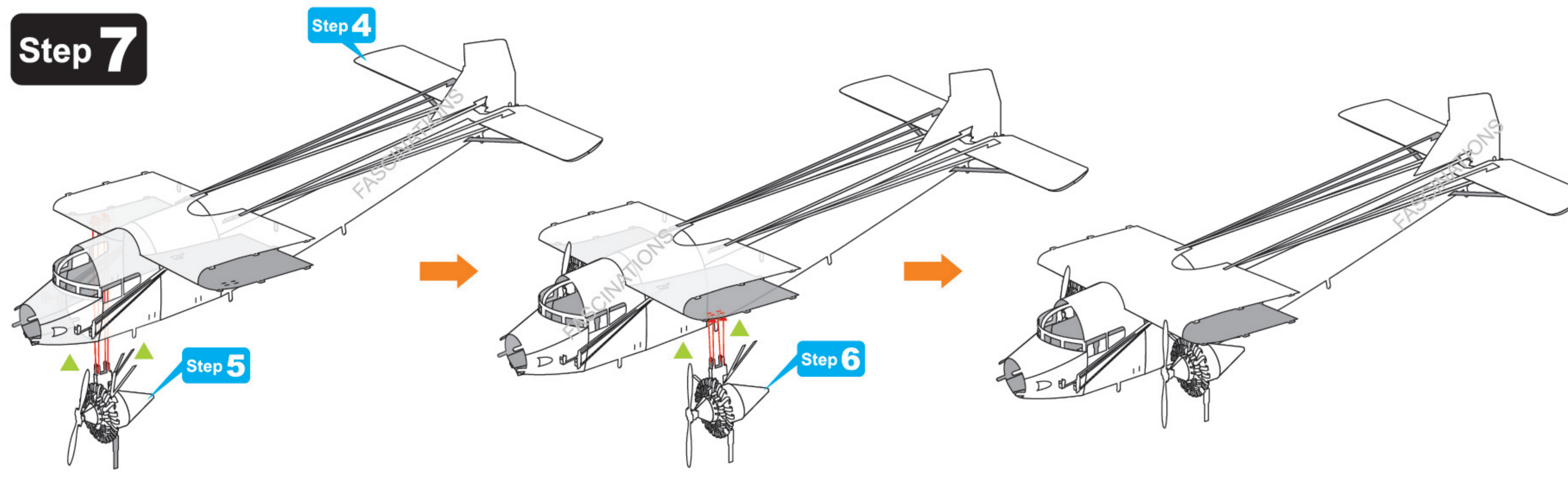
Step 5



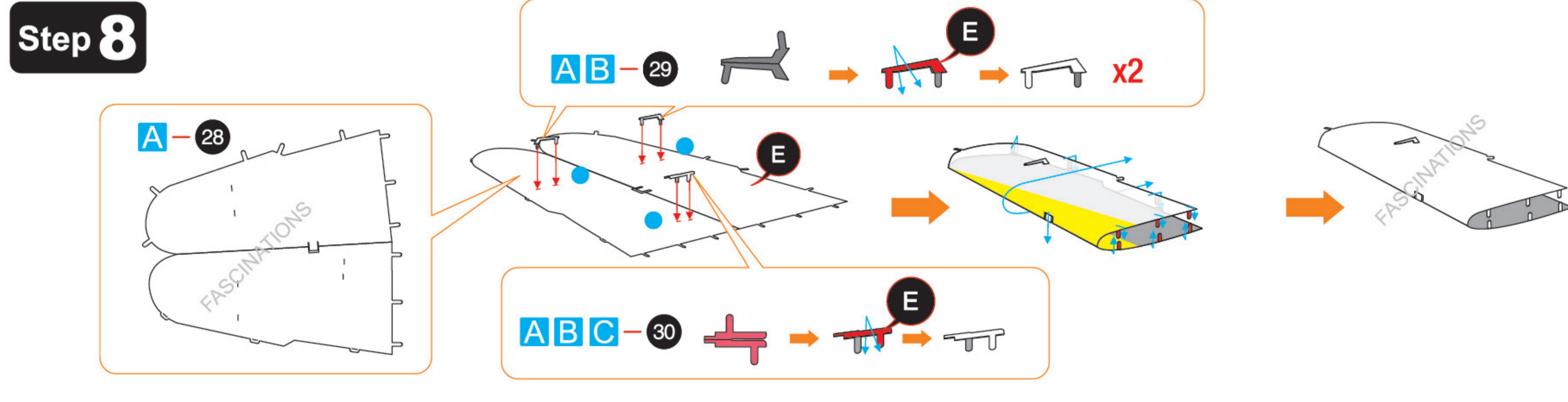
Step 6



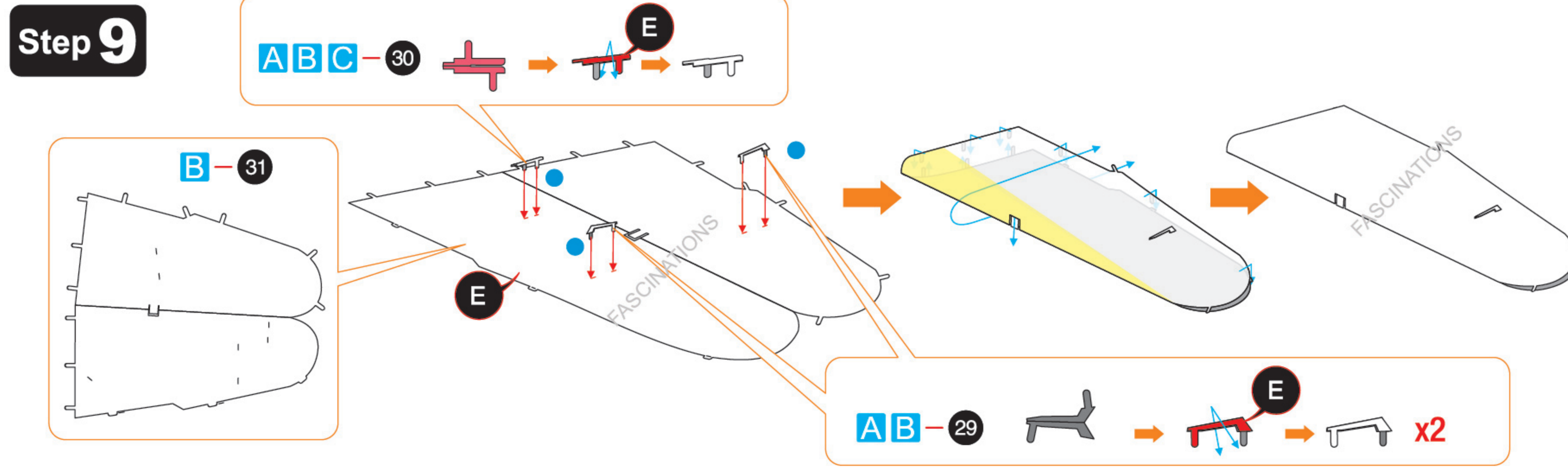
Step 7



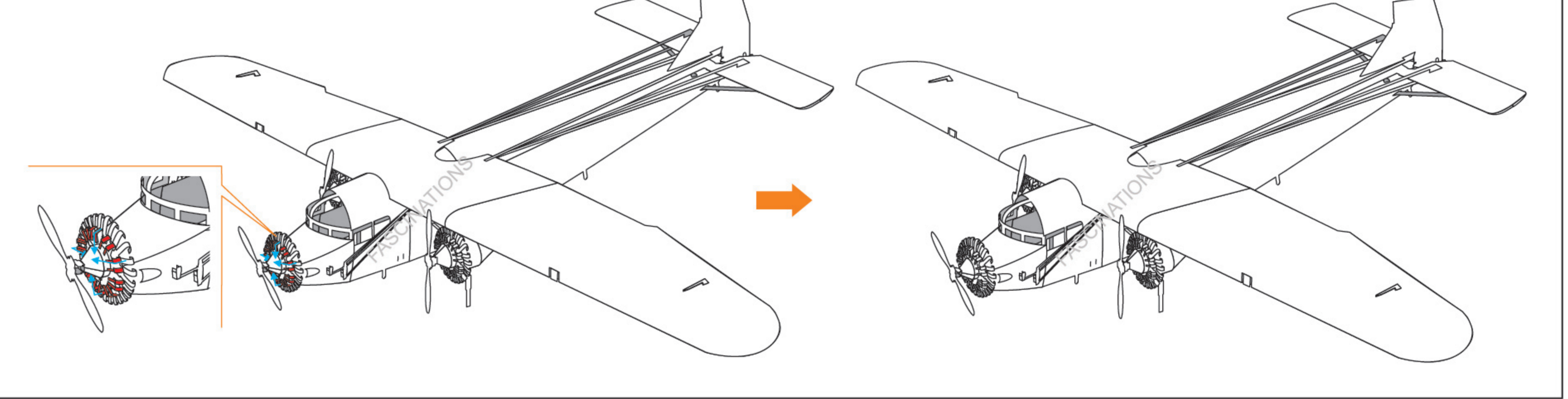
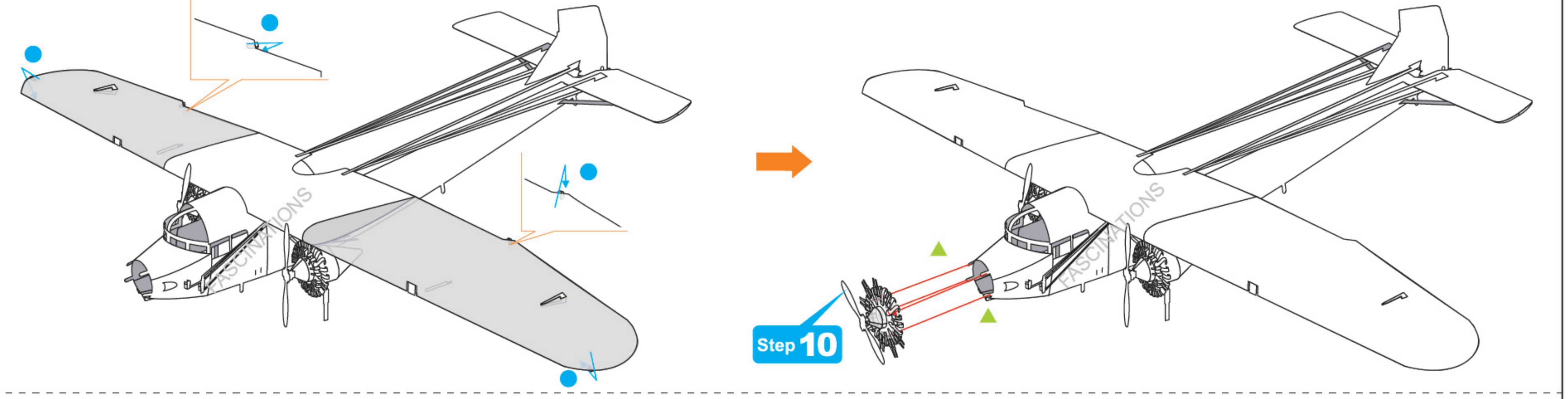
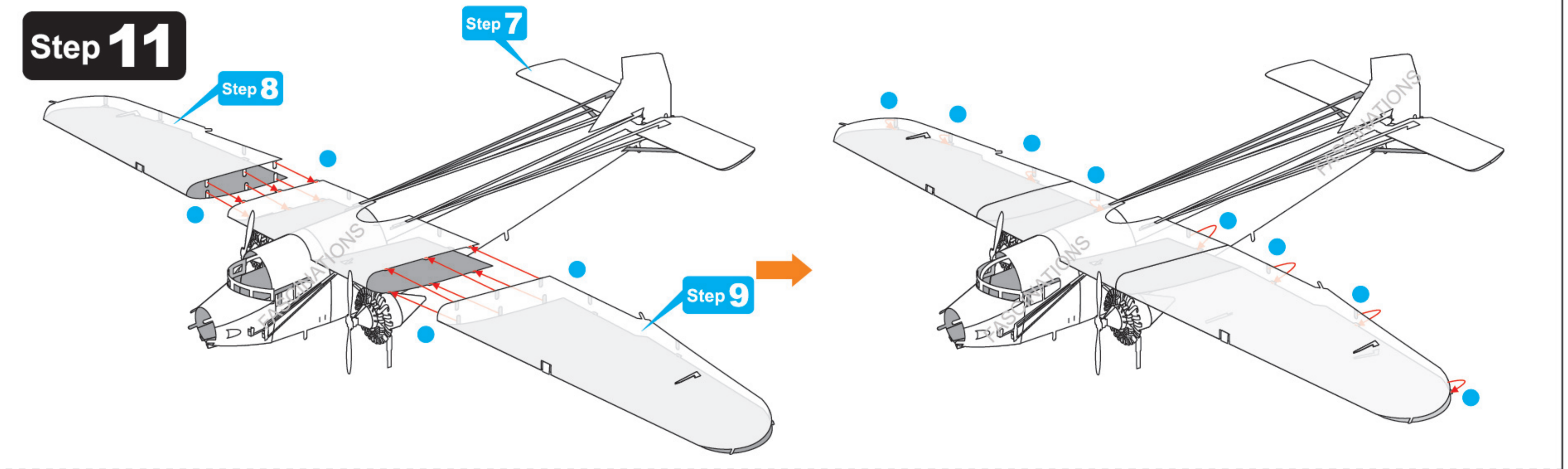
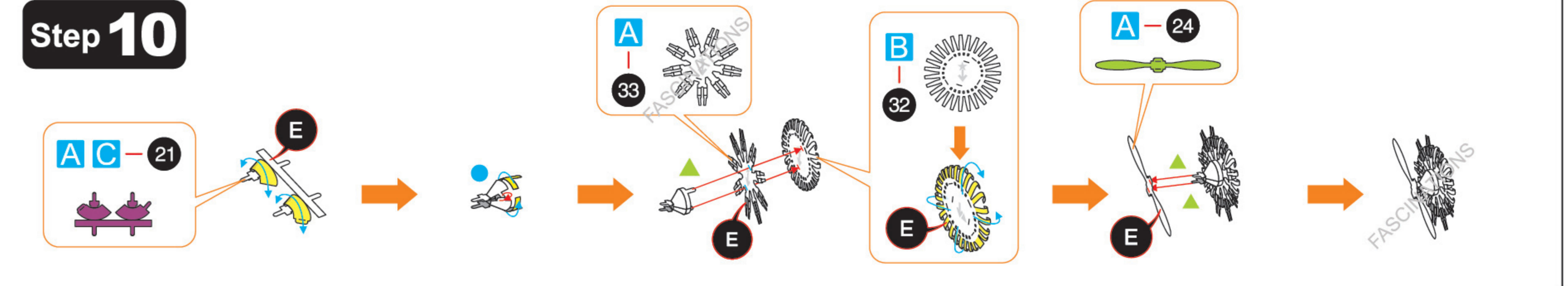
Step 8



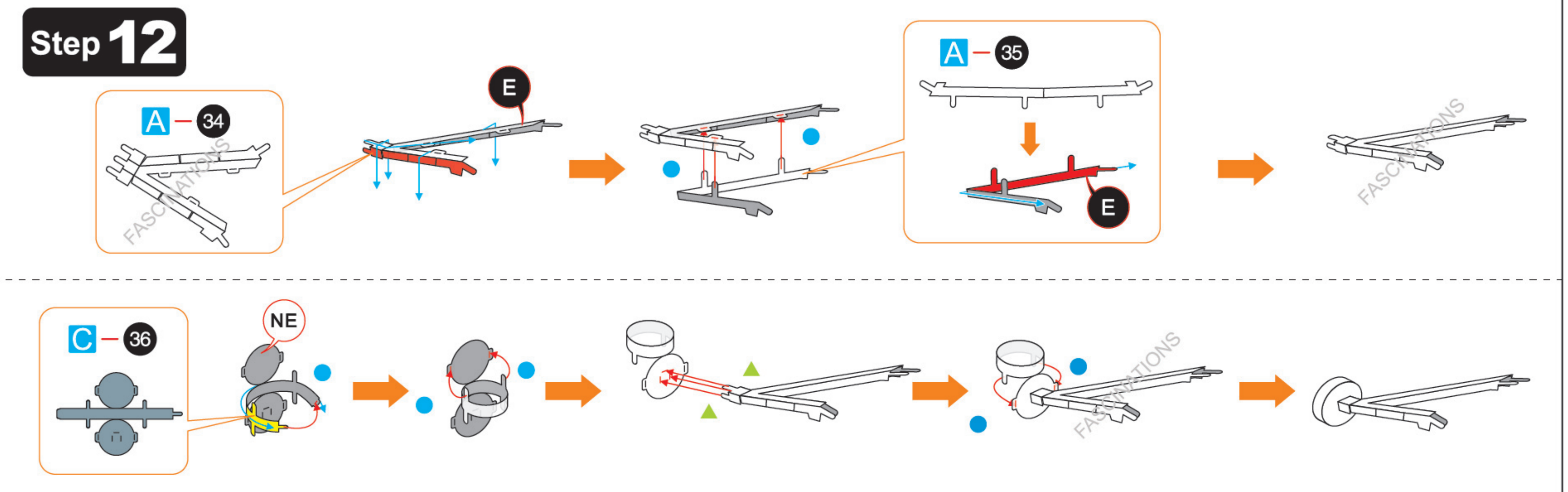
Step 9



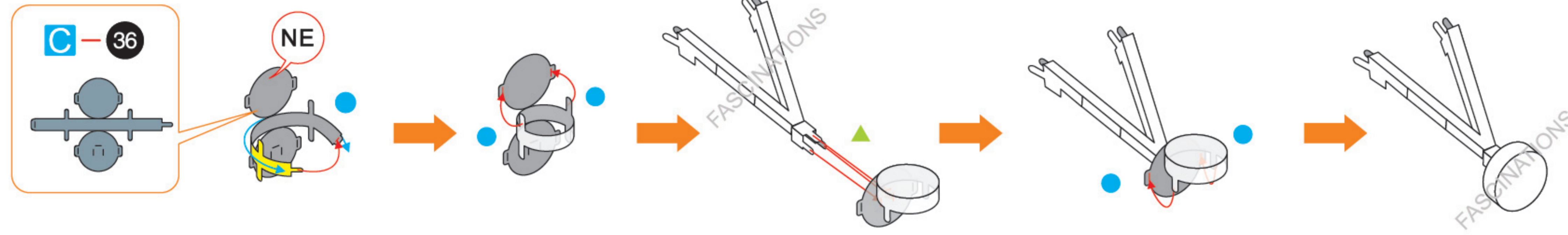
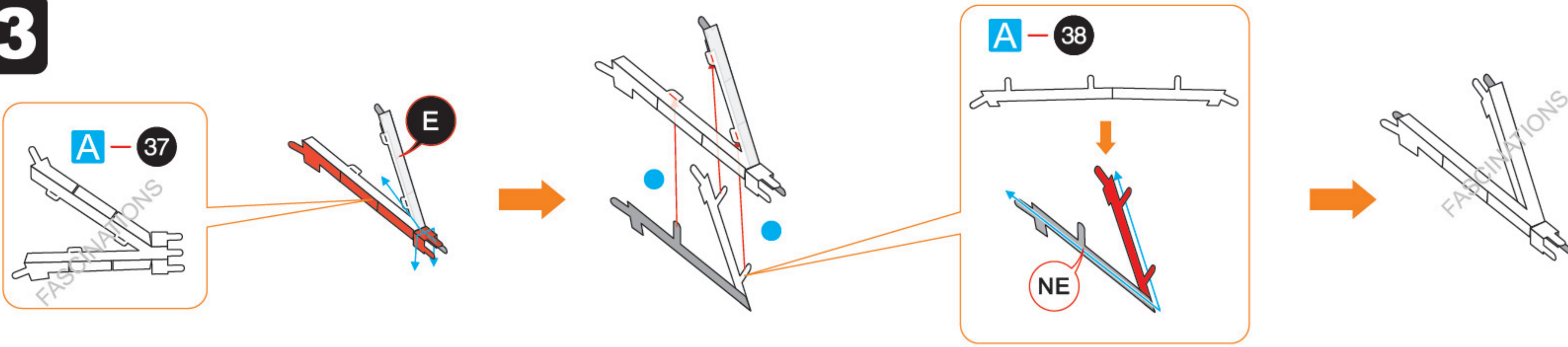
Step 10



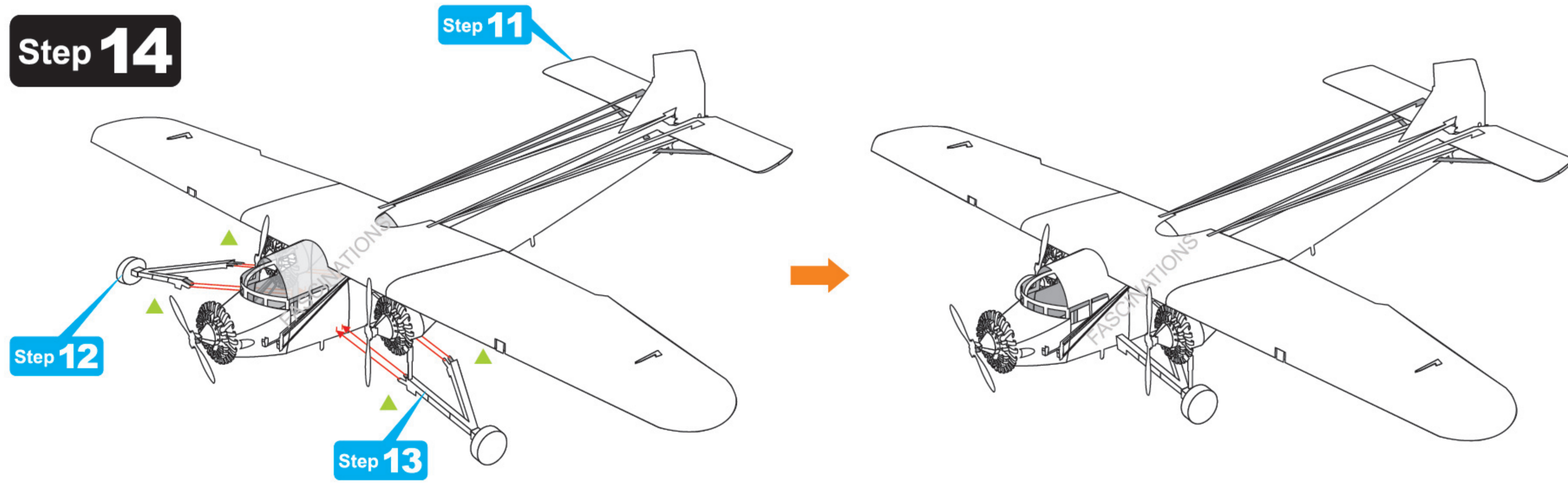
Step 12



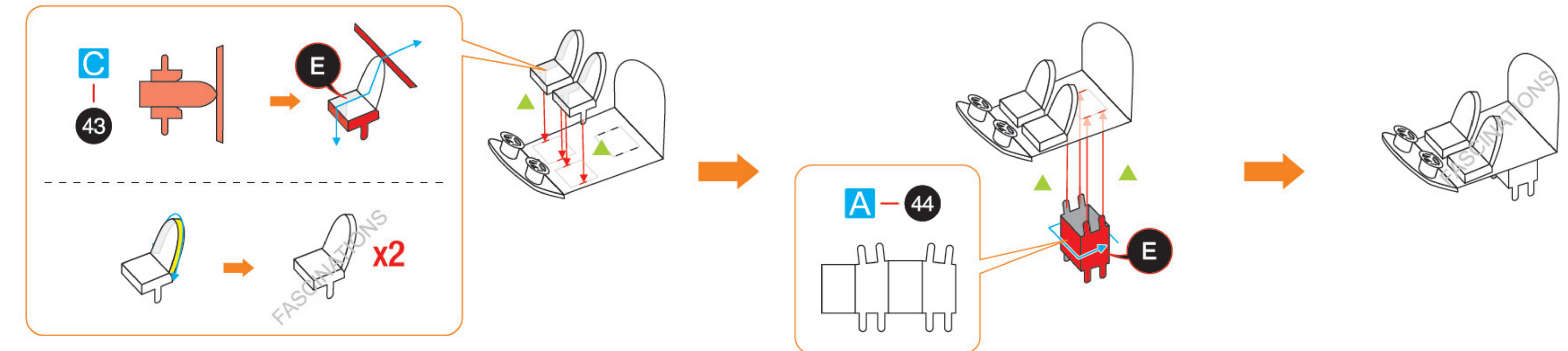
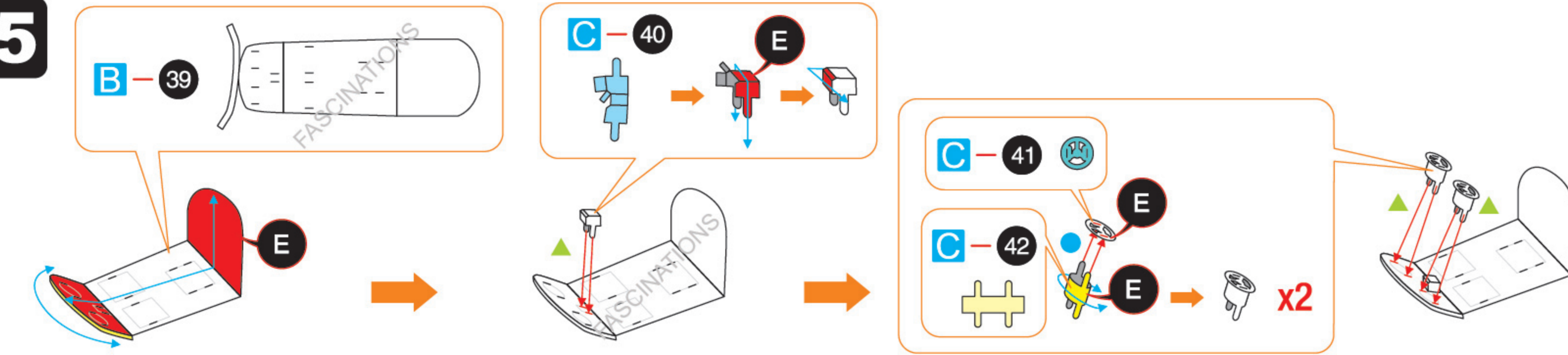
Step 13



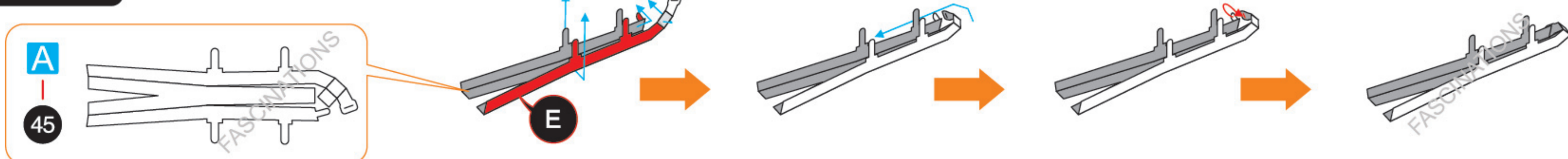
Step 14



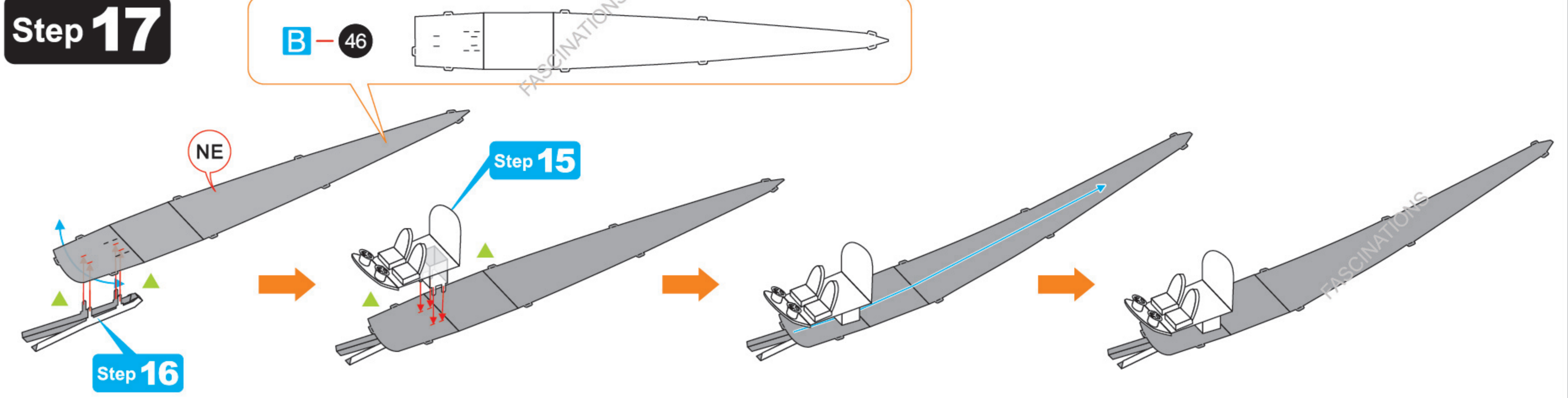
Step 15



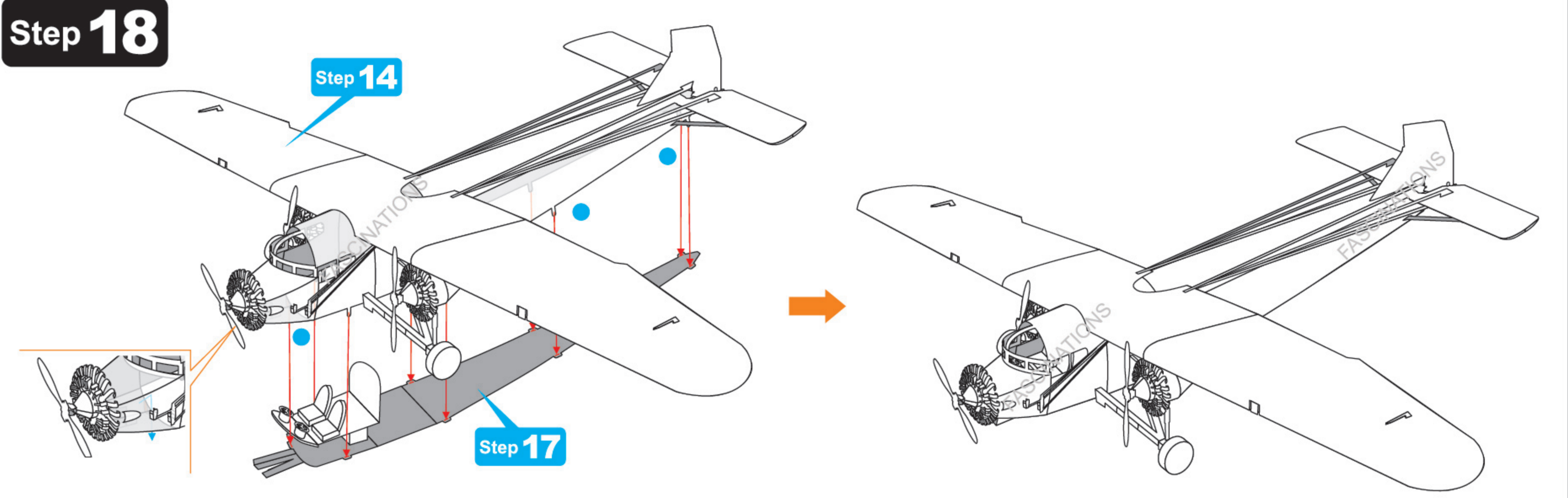
Step 16



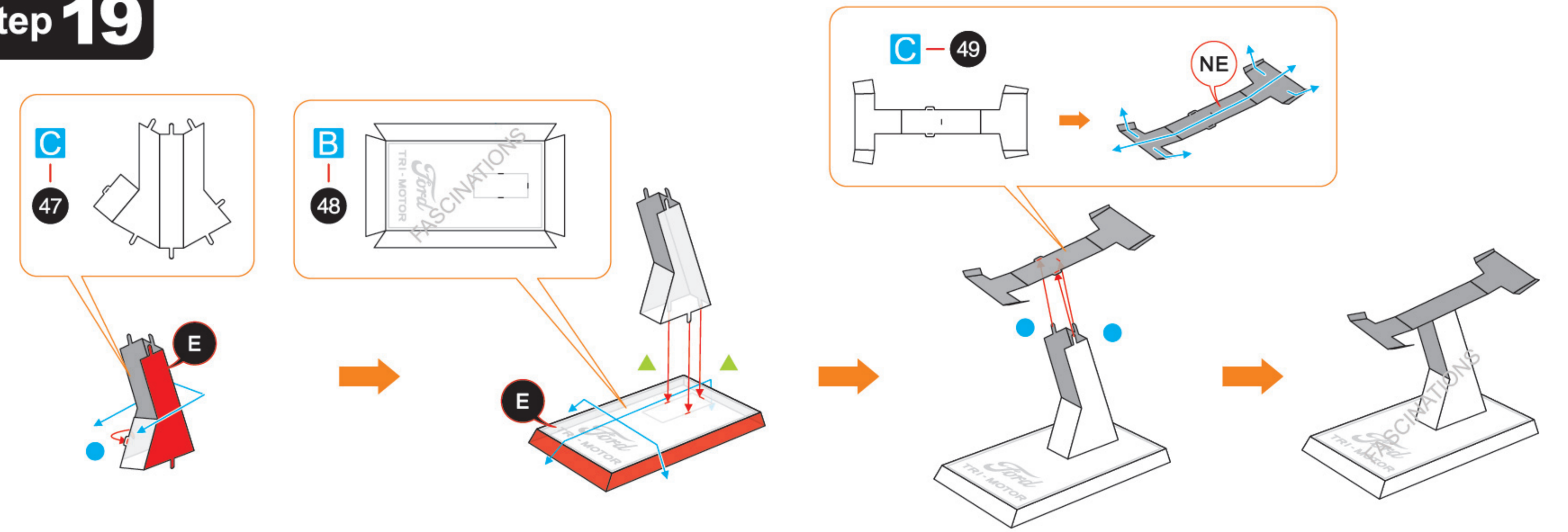
Step 17



Step 18



Step 19



Step 20

