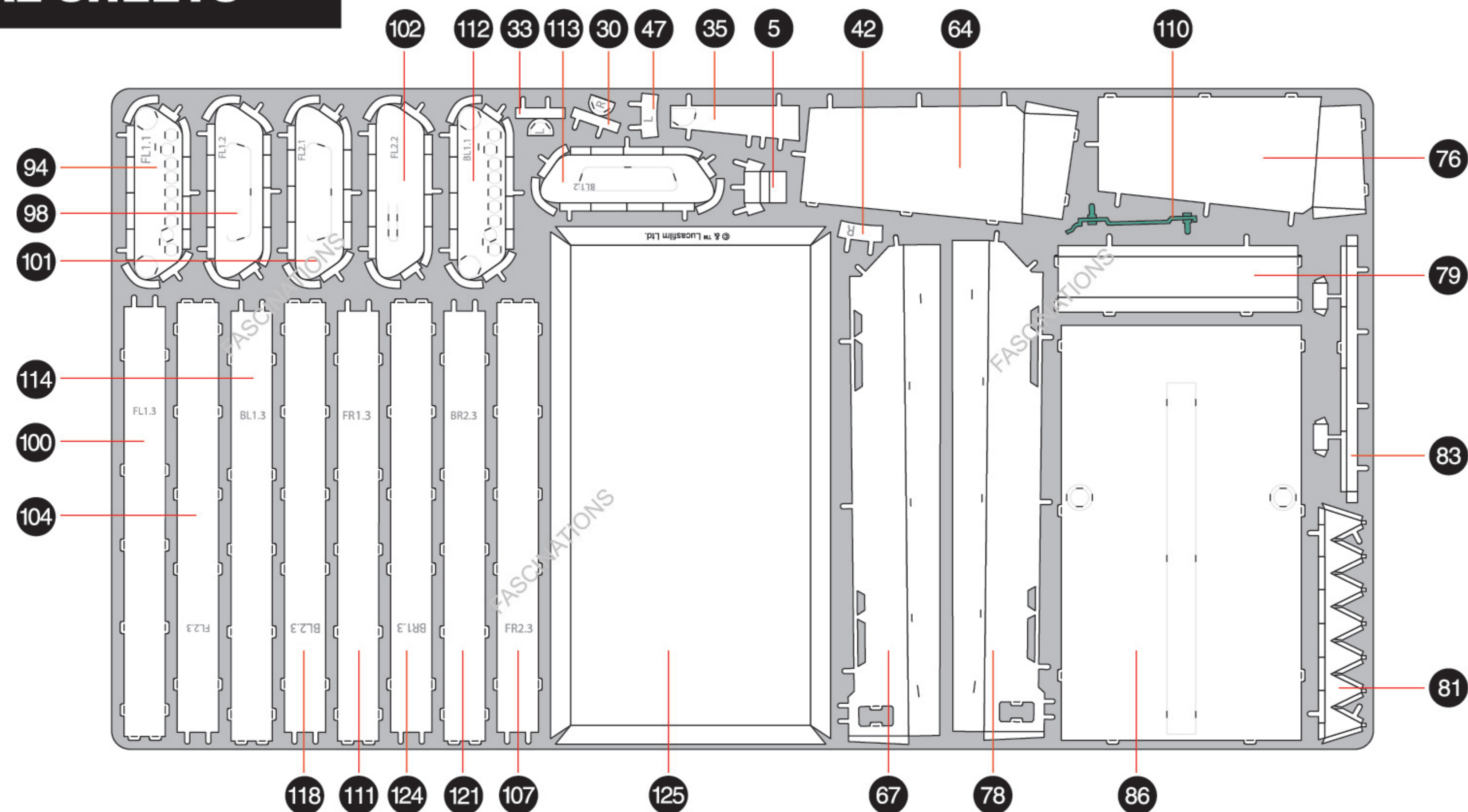


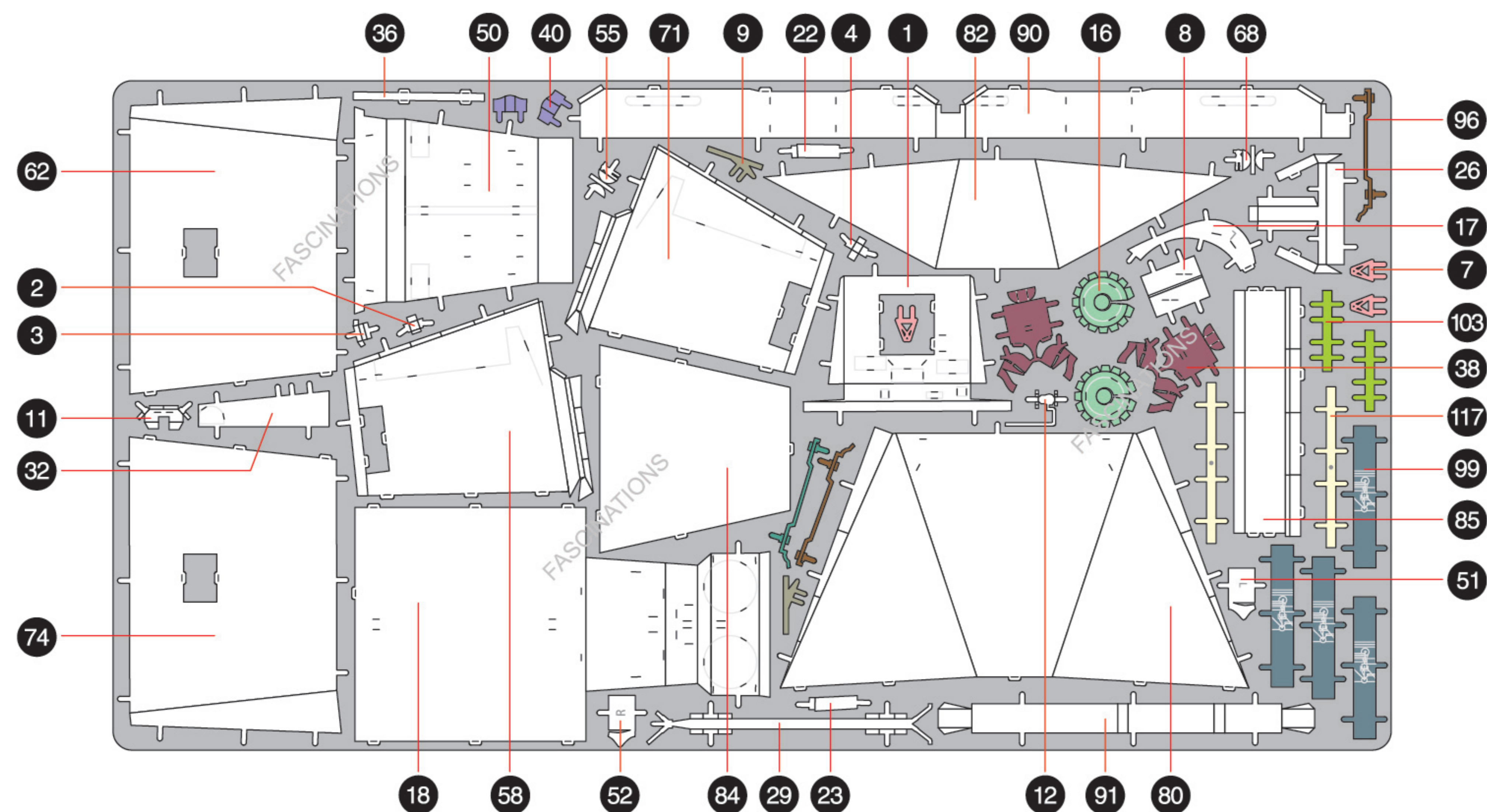
## METAL SHEETS

Parts with same color are duplicates

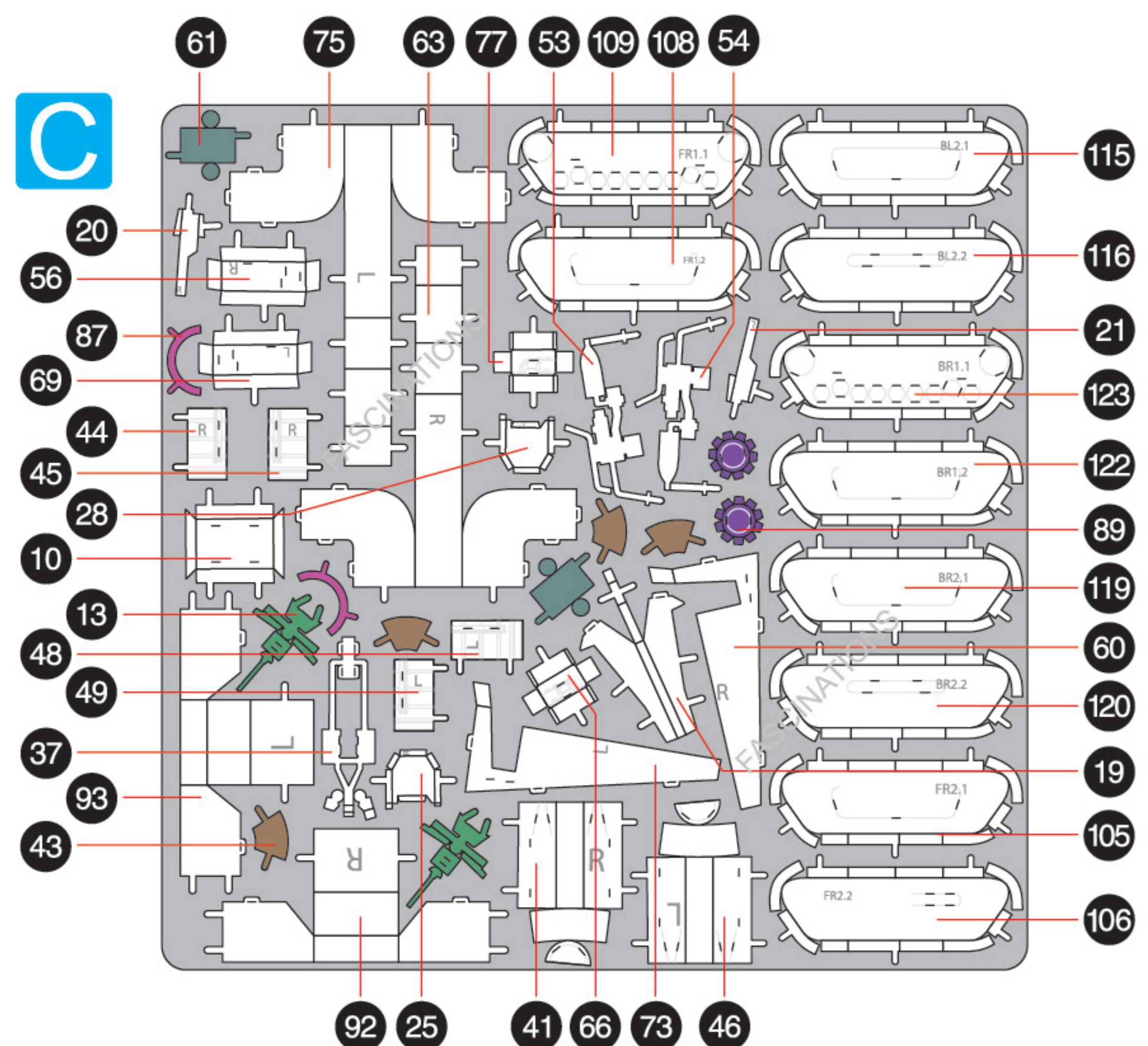
**A**



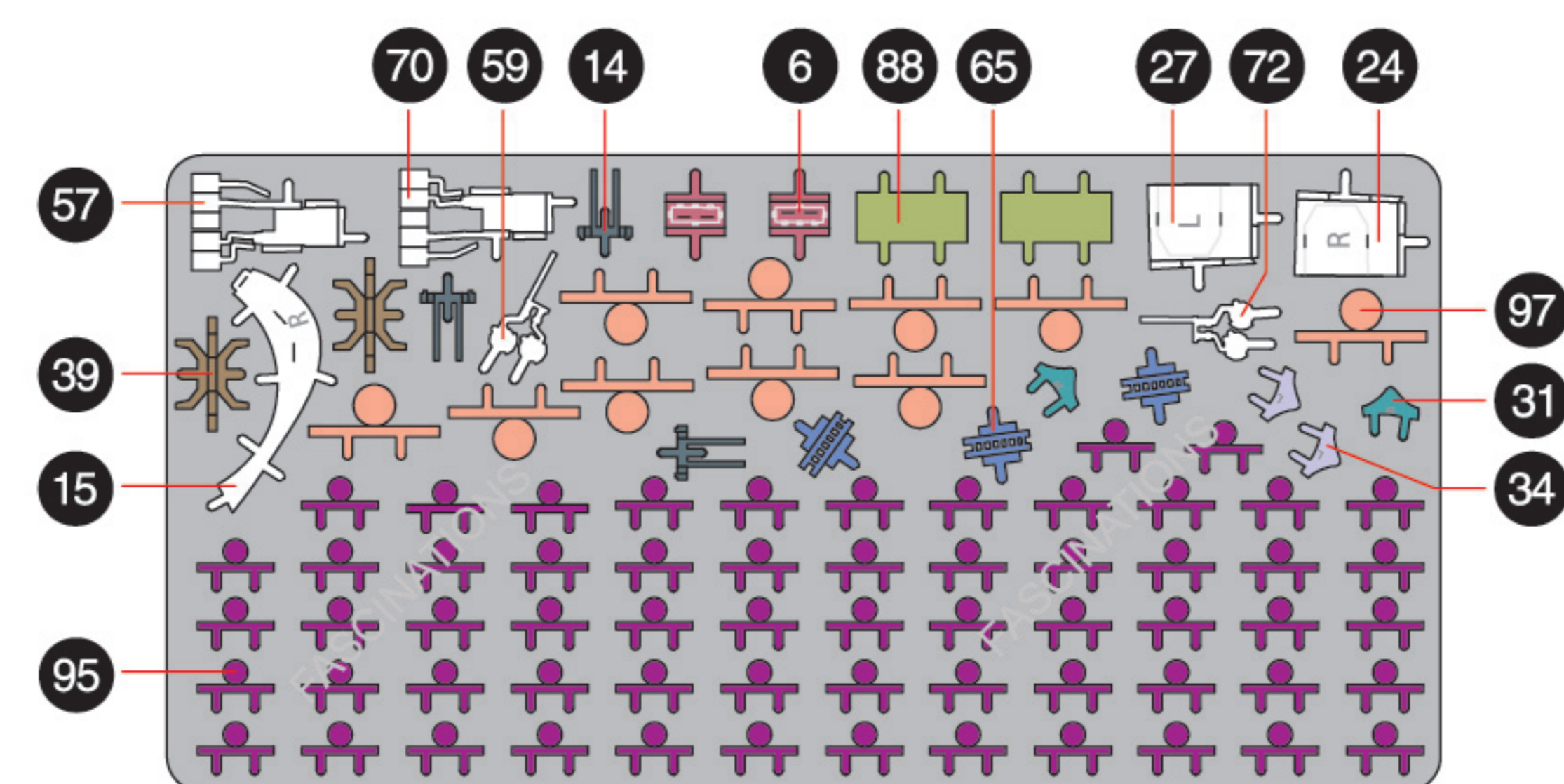
**B**



**C**



**D**



# Metal Earth

360° view



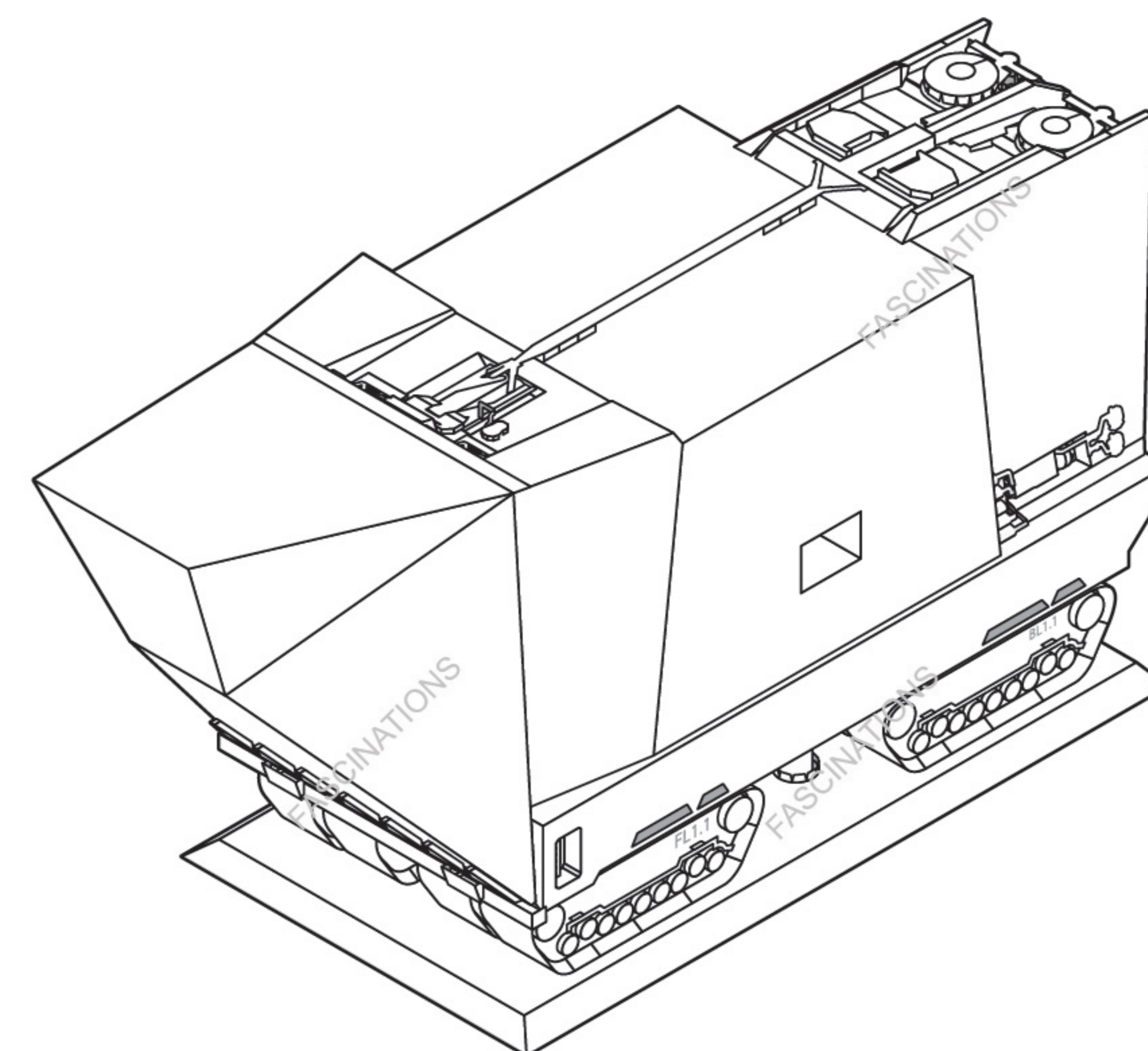
It is highly recommended that you visit [www.metalearth.com/360/ICX237](http://www.metalearth.com/360/ICX237) to see the completed model before assembling your own

# STAR WARS

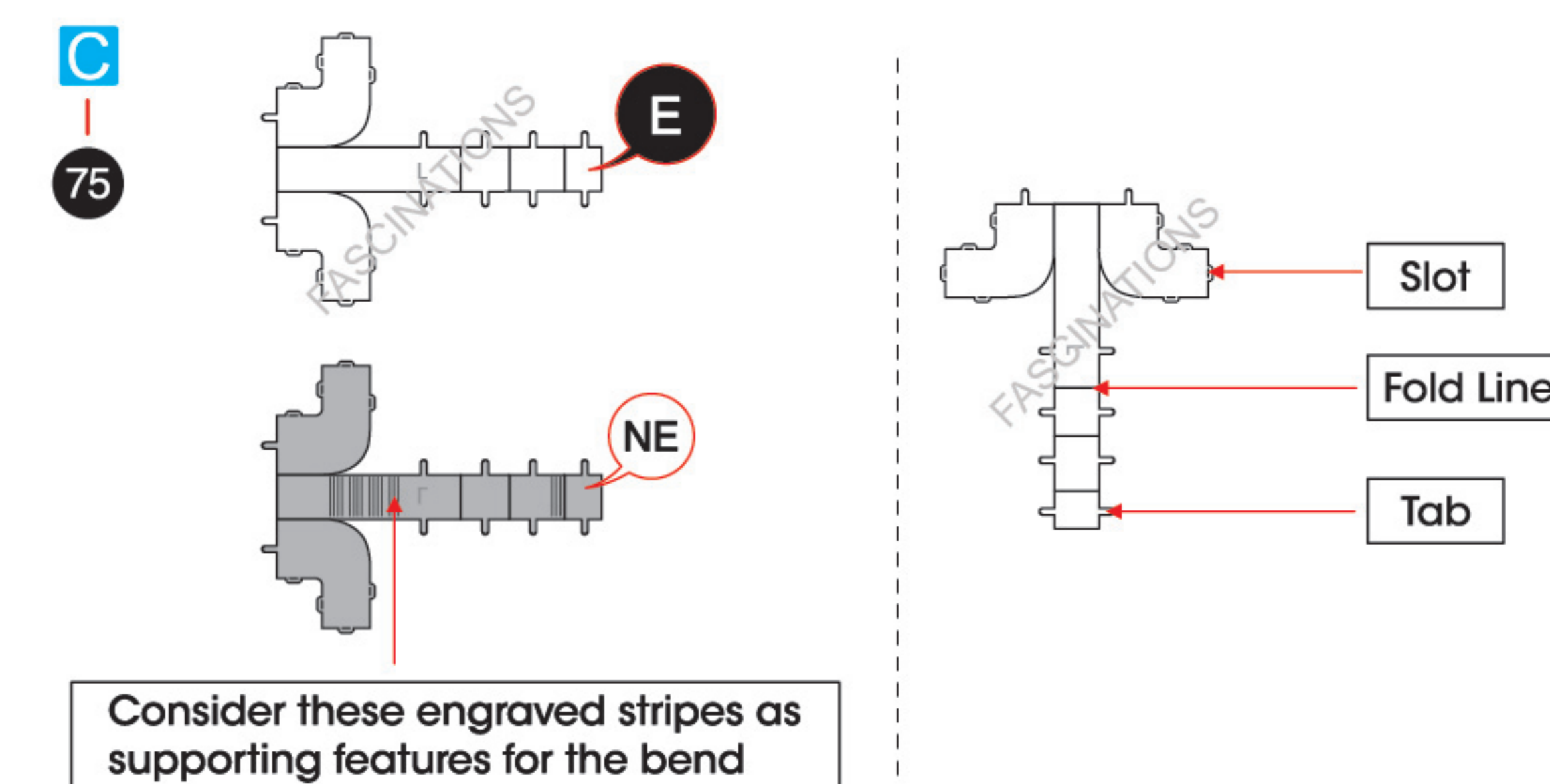
[www.starwars.com](http://www.starwars.com)  
© & ™ Lucasfilm Ltd.

## Premium Series

### ICX237 Jawa Sandcrawler™



### TO CREATE THE BEST CONNECTIONS



#### Legends:

- E** Engraved/ Color side
- NE** Non - engraved/ Silver side
- Attention point
- Insert tab and bend 90 degrees
- Insert tab and twist 90 degrees

#### Assembly tip:

If needed, slightly twist tabs to hold parts together then untwist and bend them down for a nice finish.

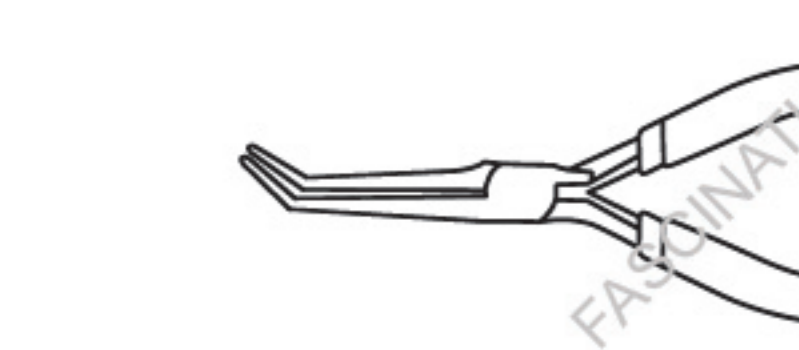
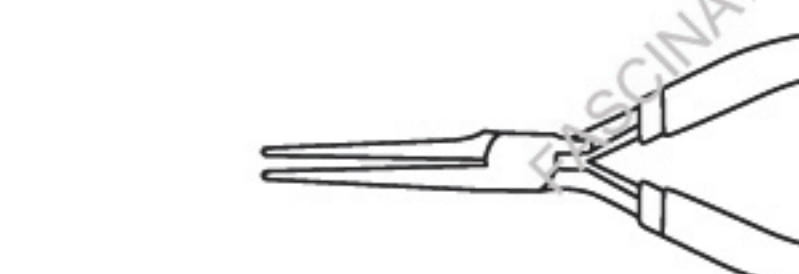
- Yellow areas should be curled
- Red areas should be folded

#### Recommended tools:

- Wire cutters: helpful for taking parts from the metal sheets.

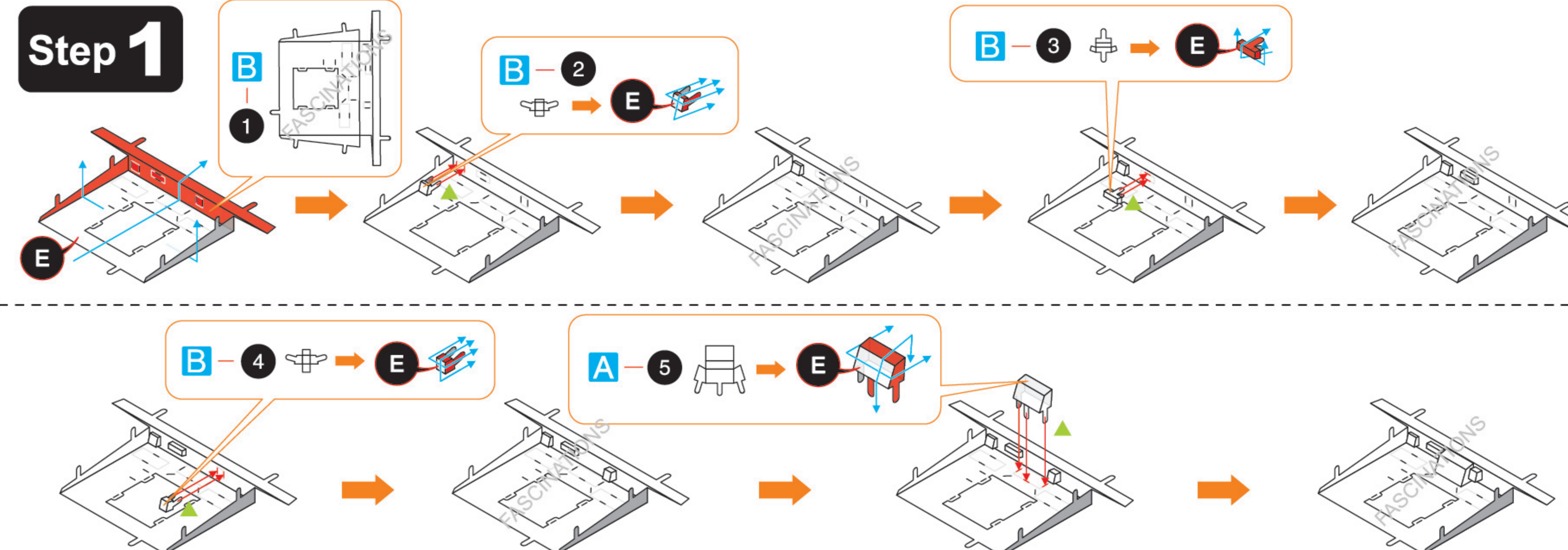


- Tweezers or needle nose pliers: helpful for folding parts, bending and twisting tabs.

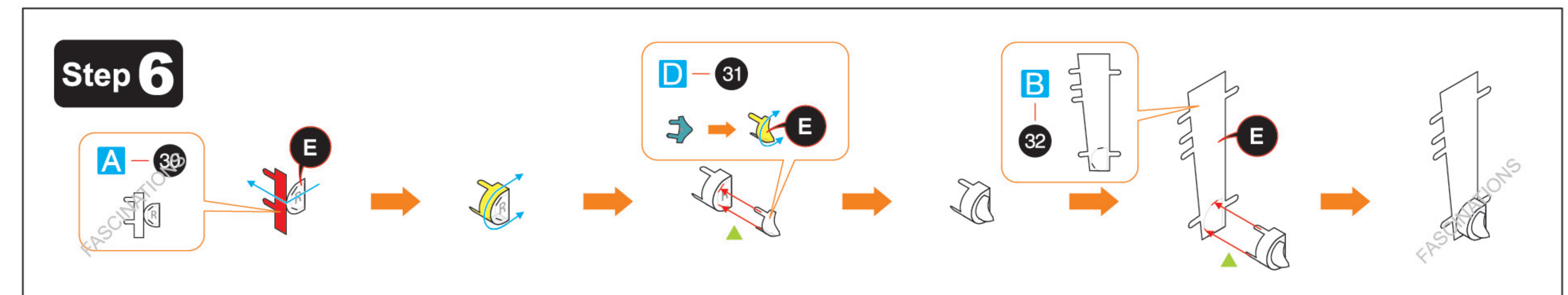
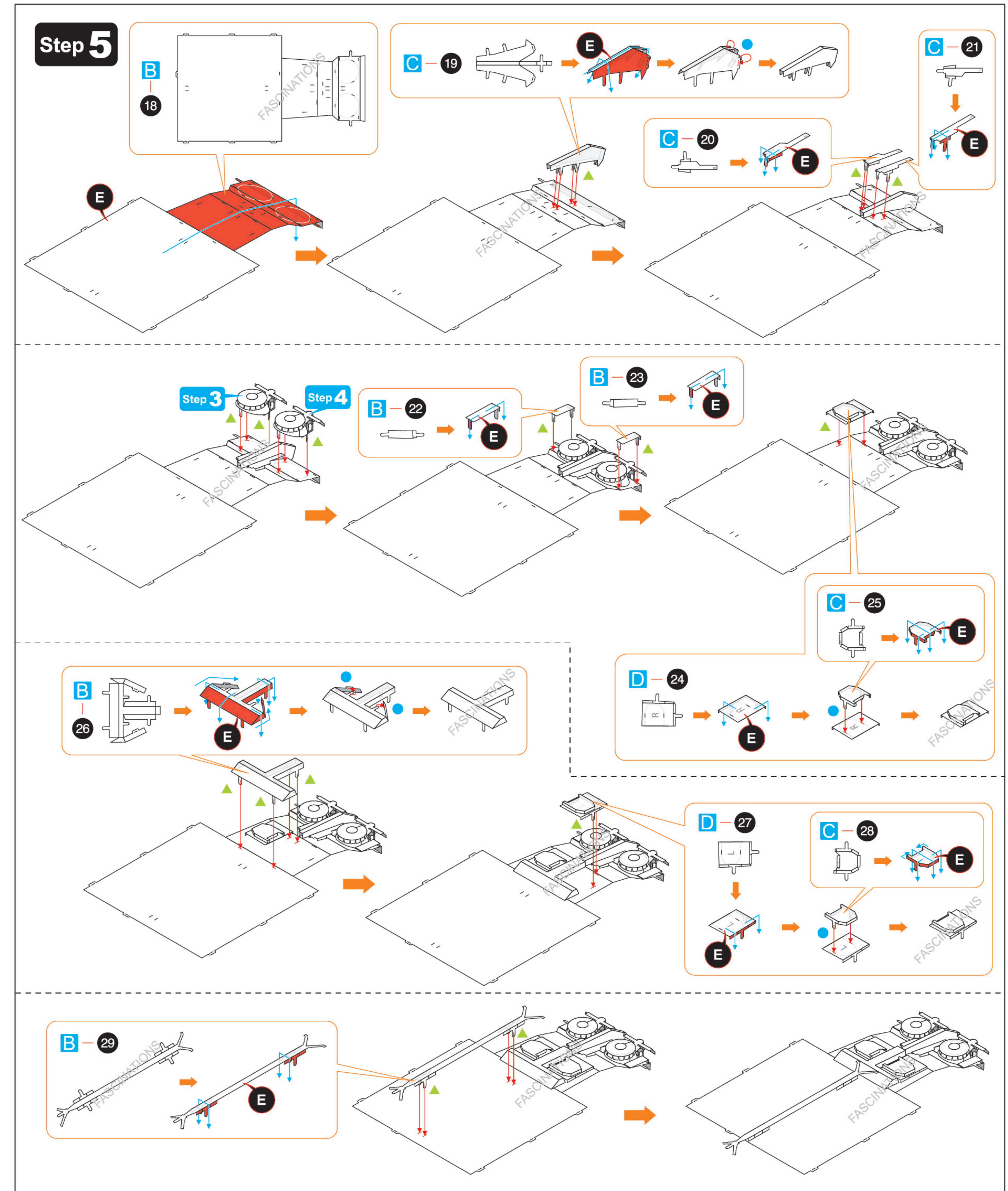
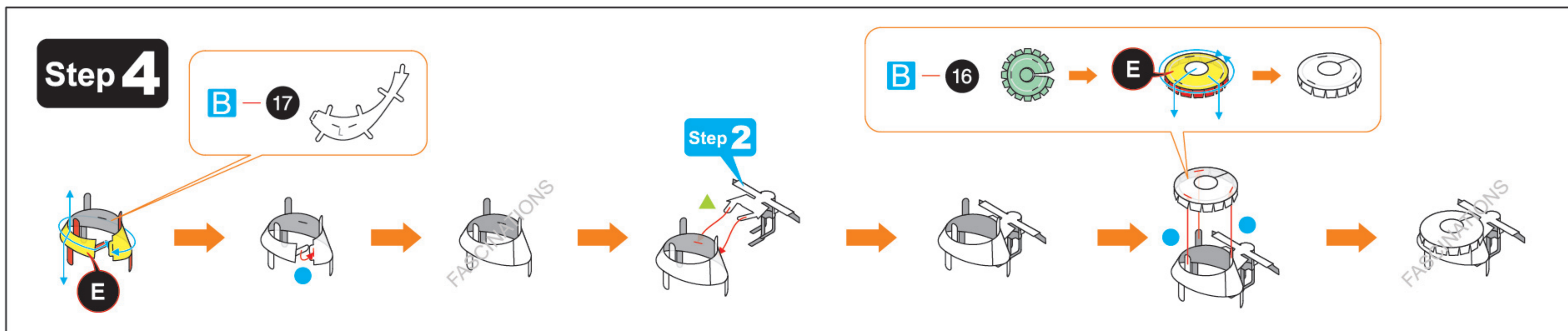
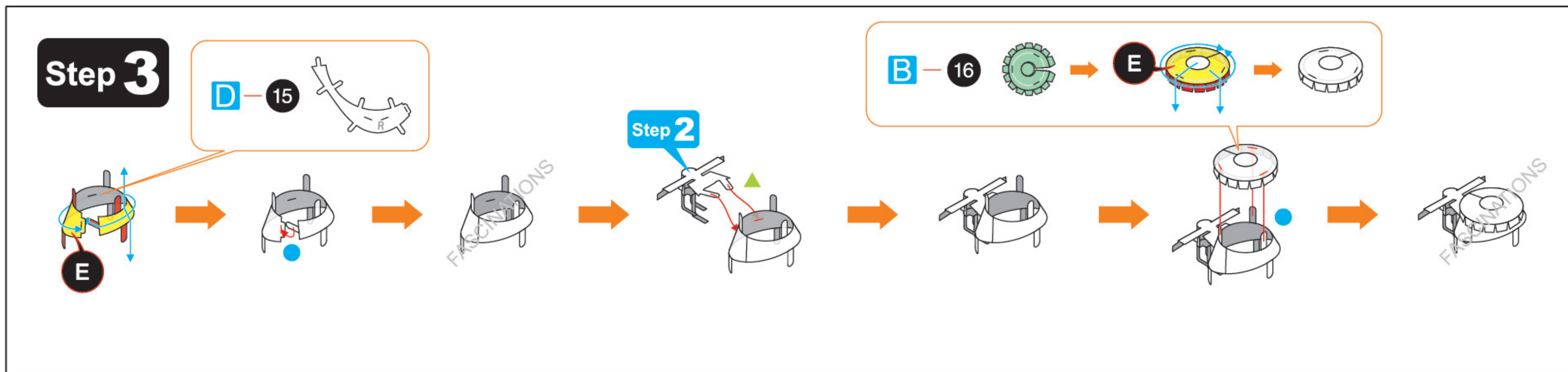
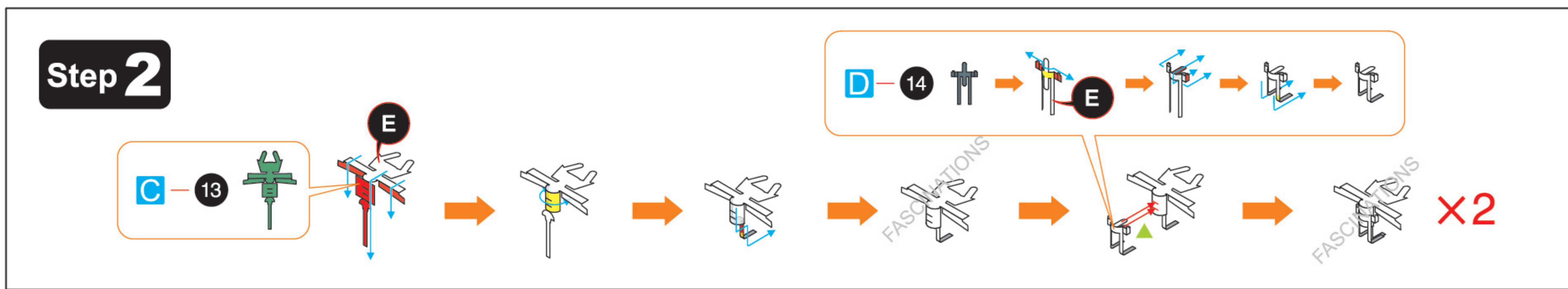
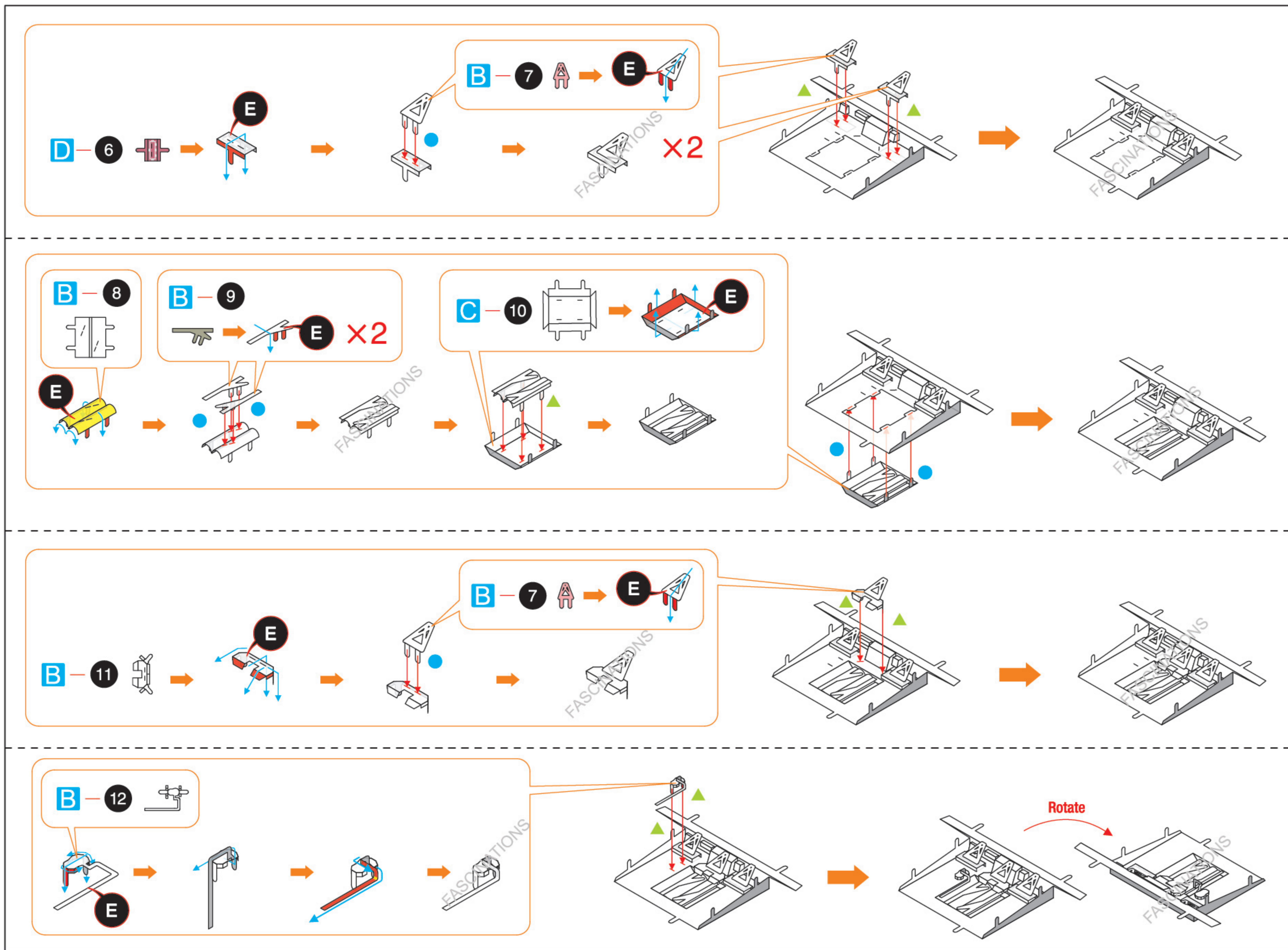


In order to avoid possible injury from sharp edges, please carefully discard the metal sheets after parts have been removed.

### ASSEMBLY STEPS

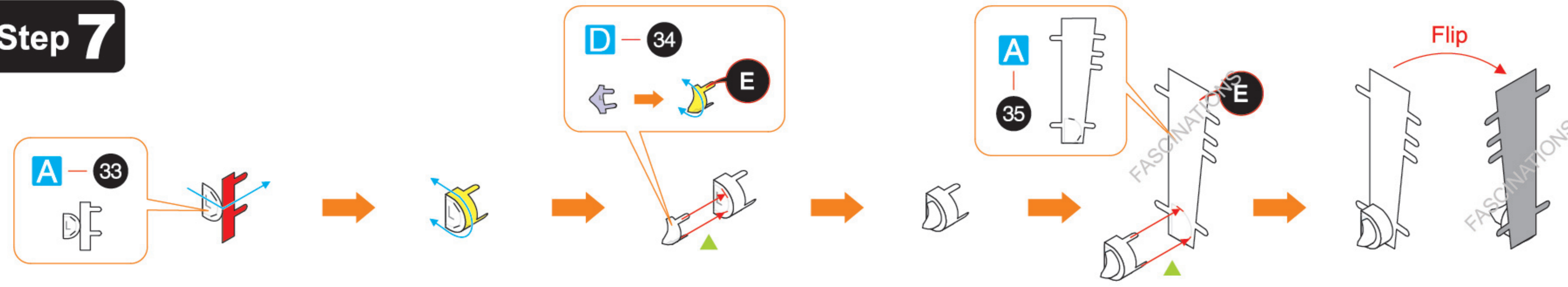




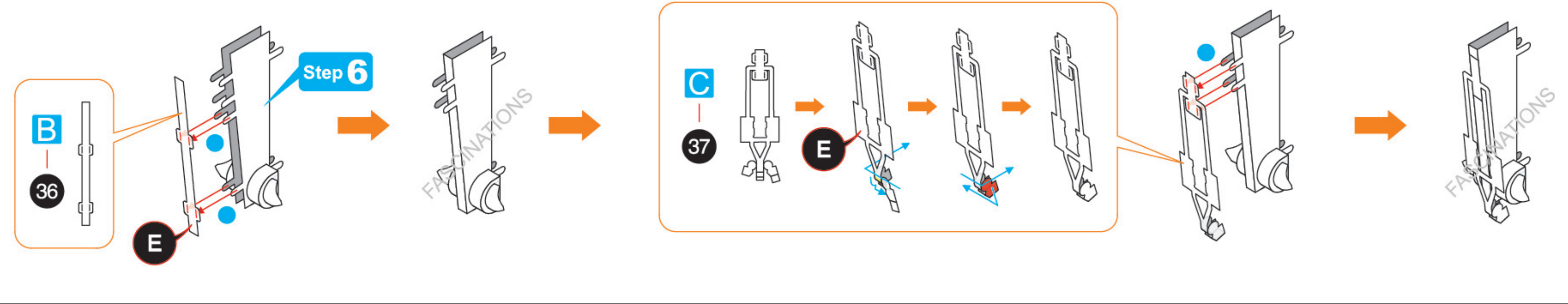




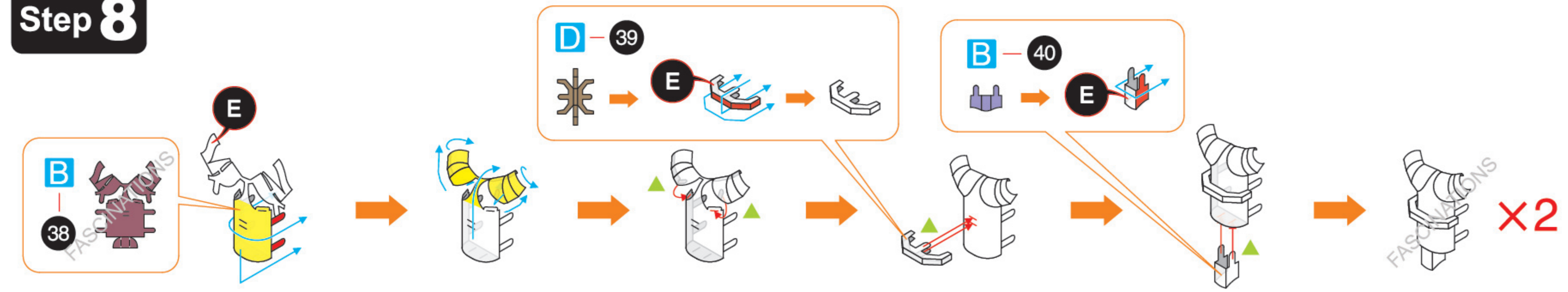
Step 7



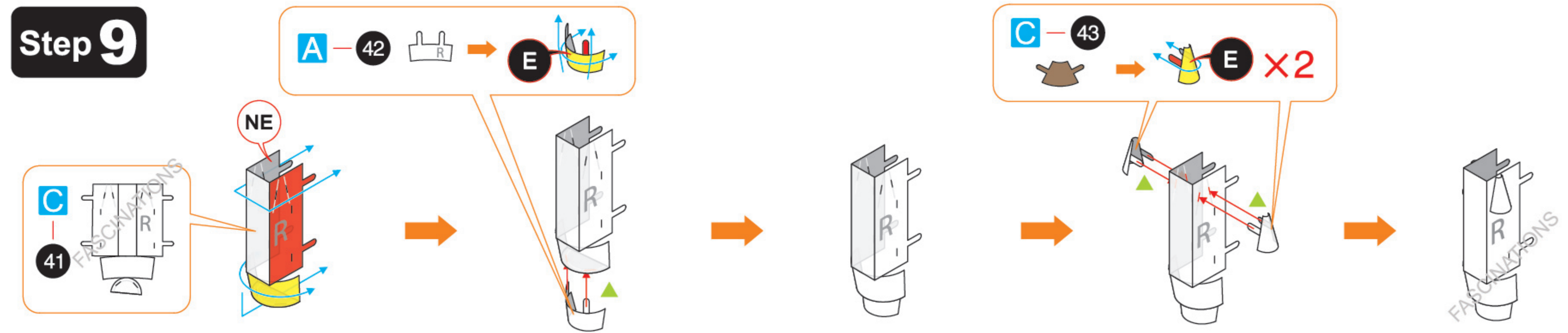
Step 6



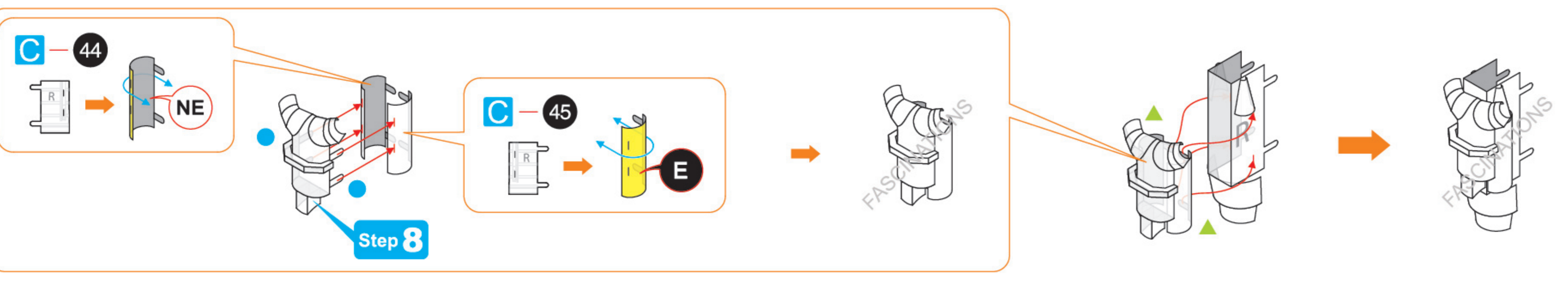
Step 8



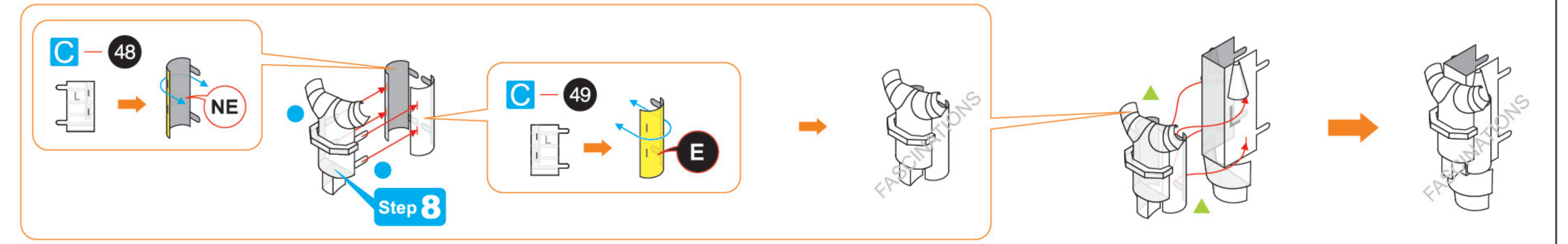
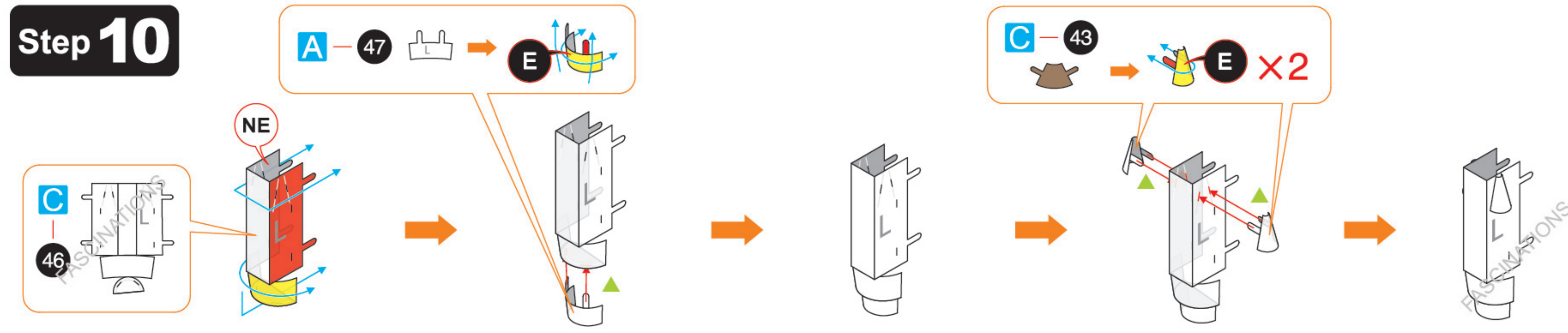
Step 9



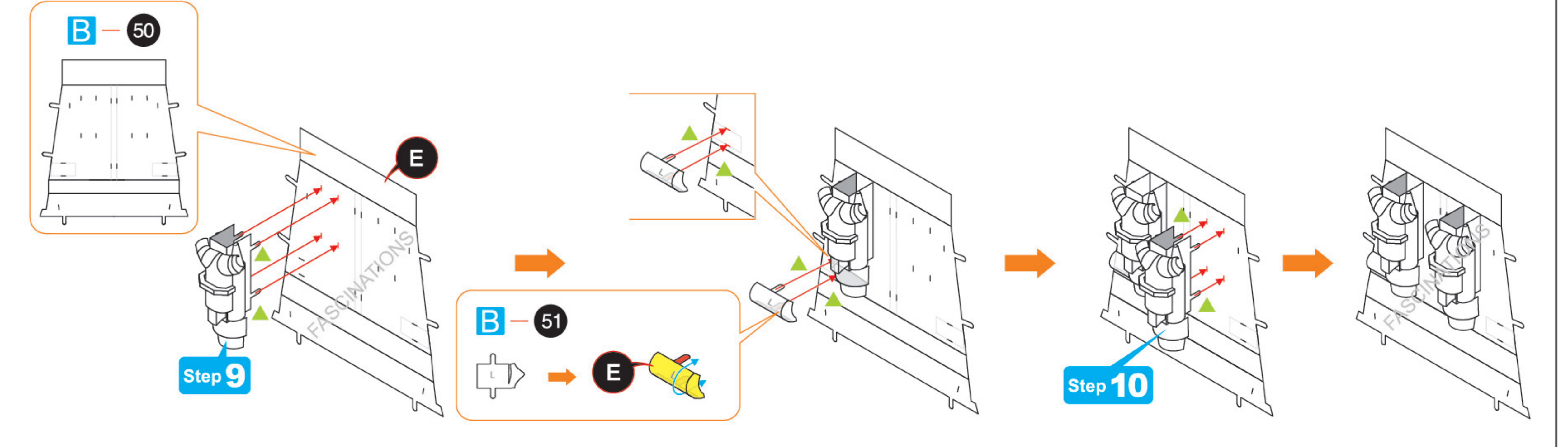
Step 8



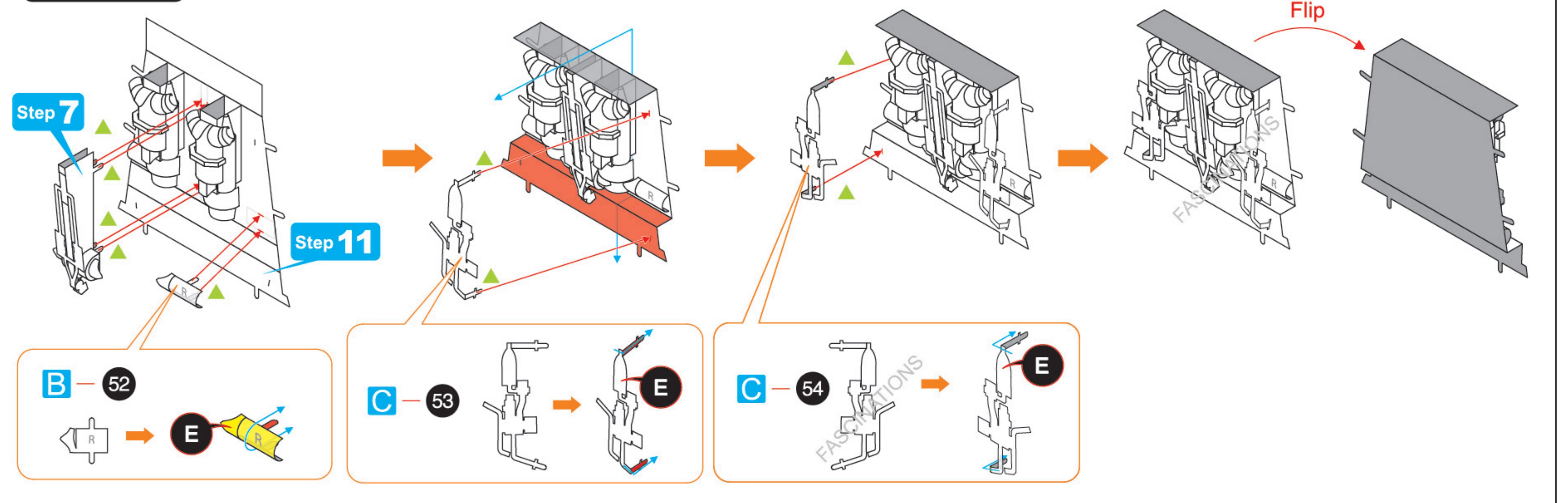
Step 10



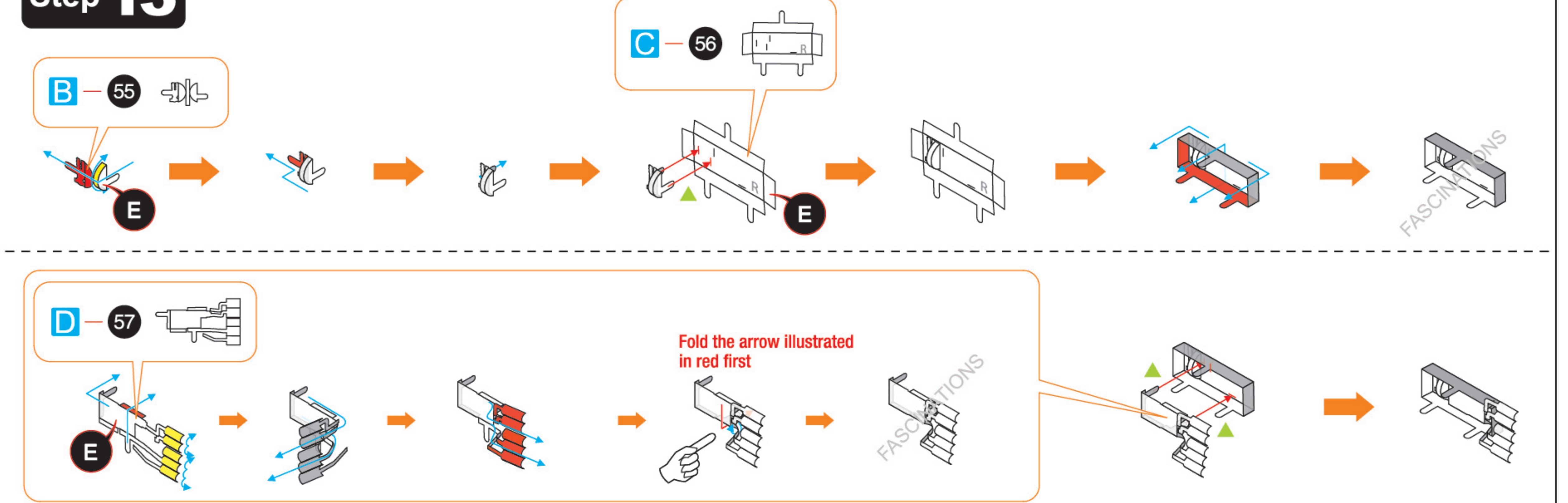
Step 11



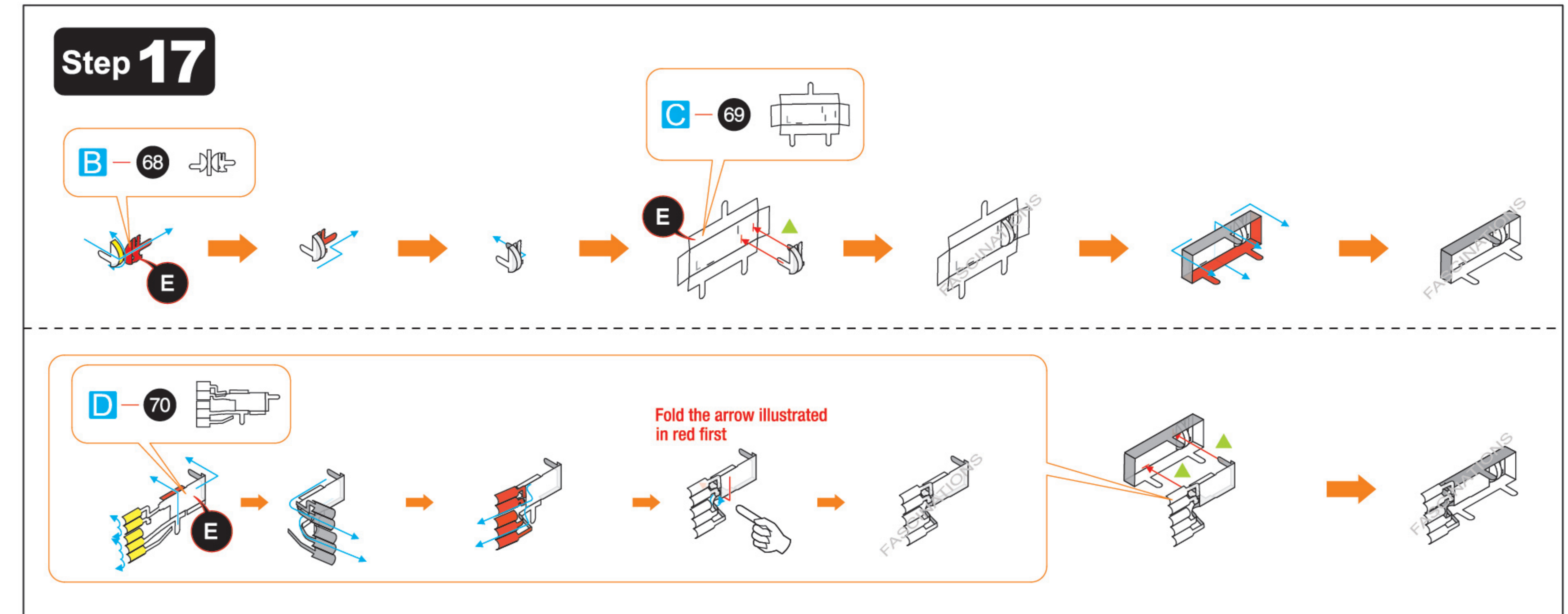
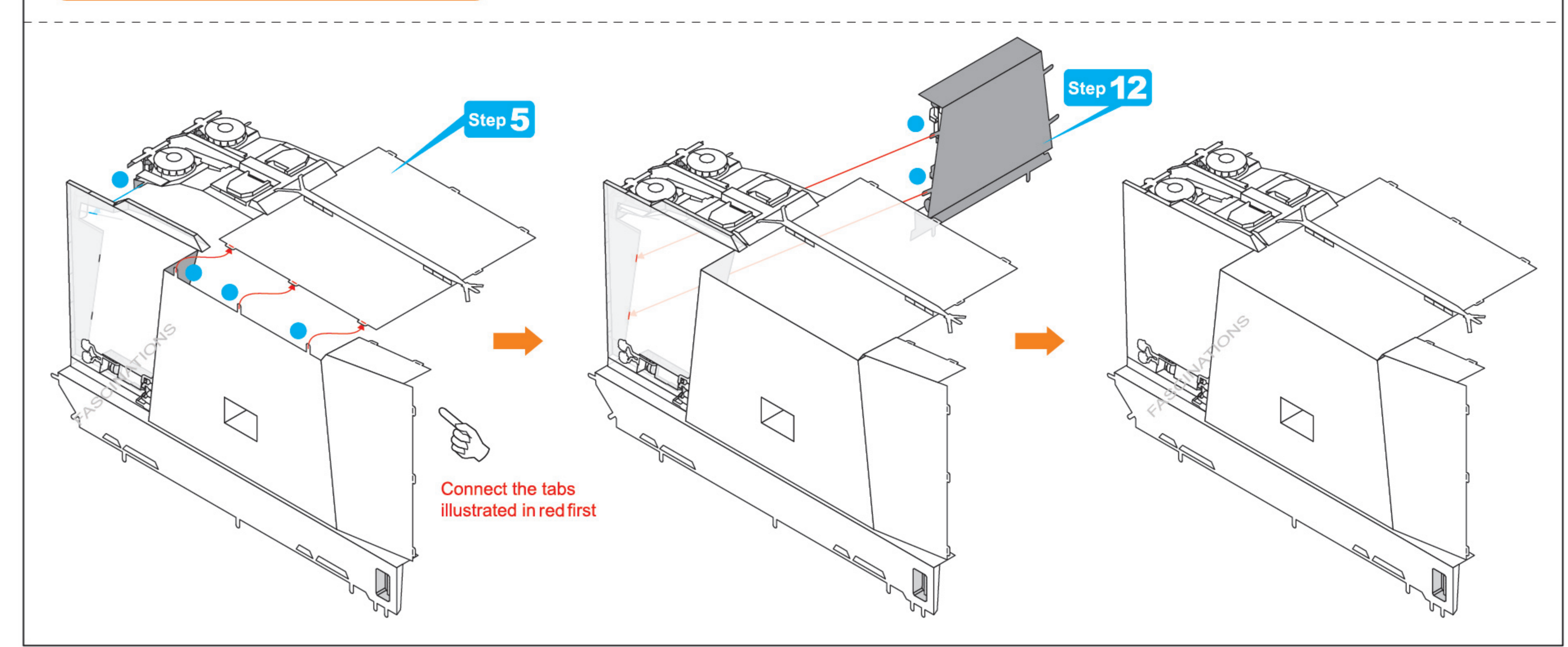
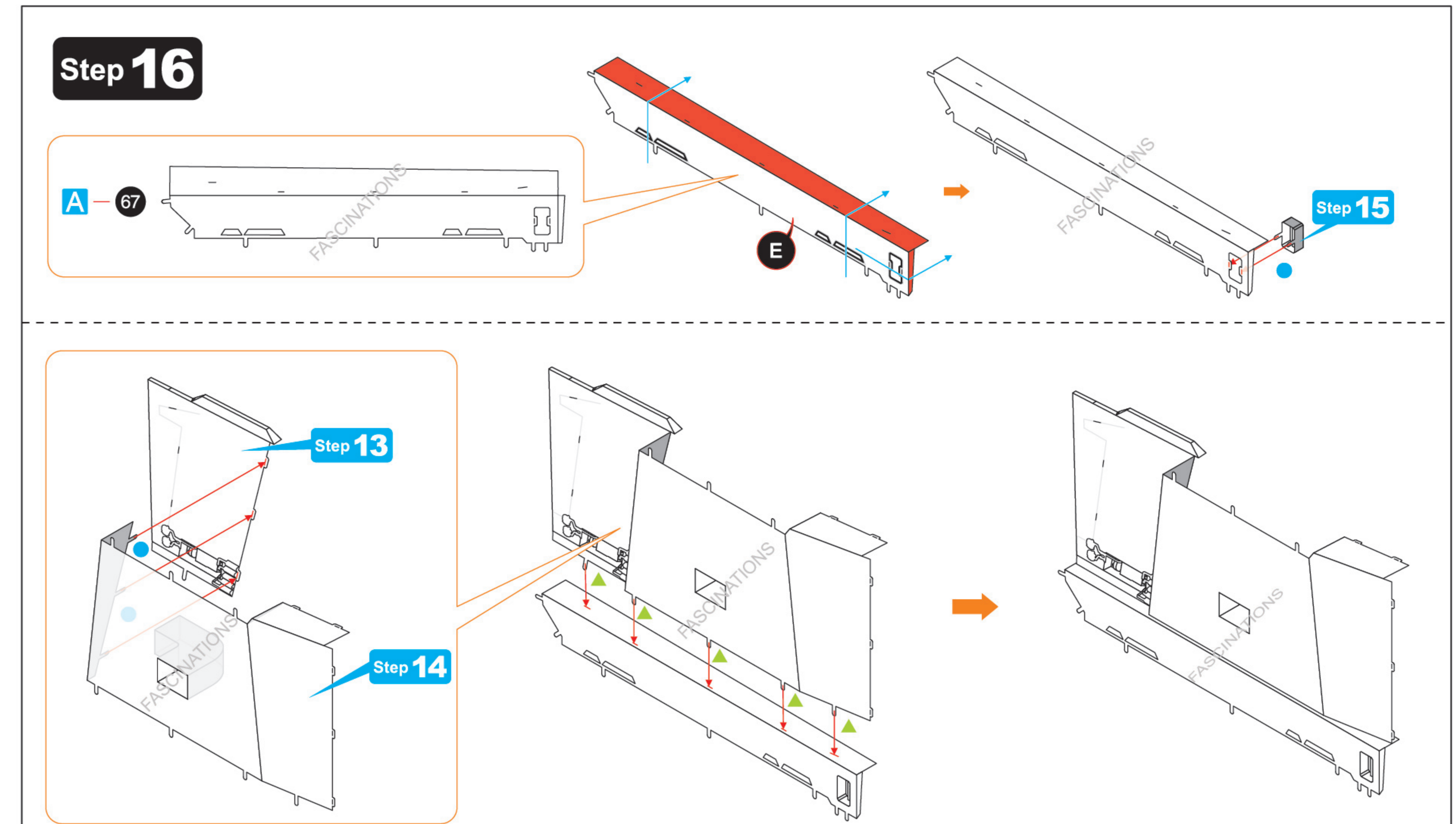
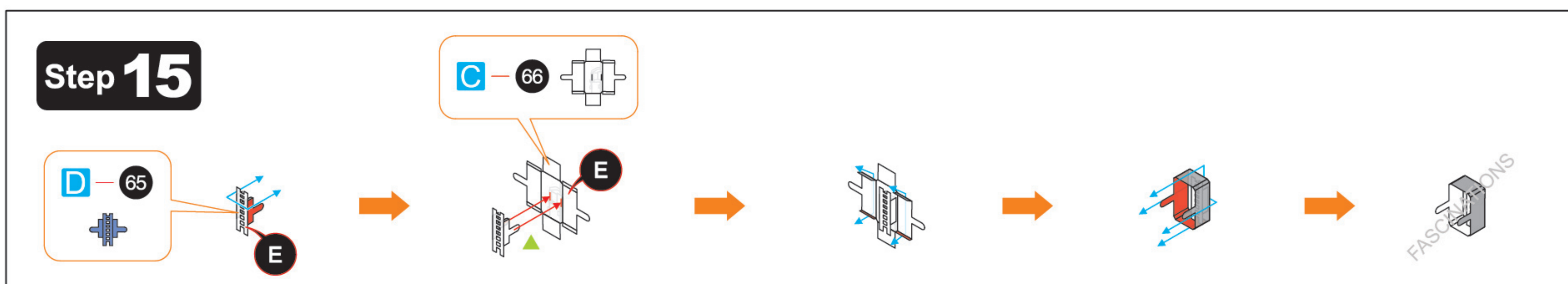
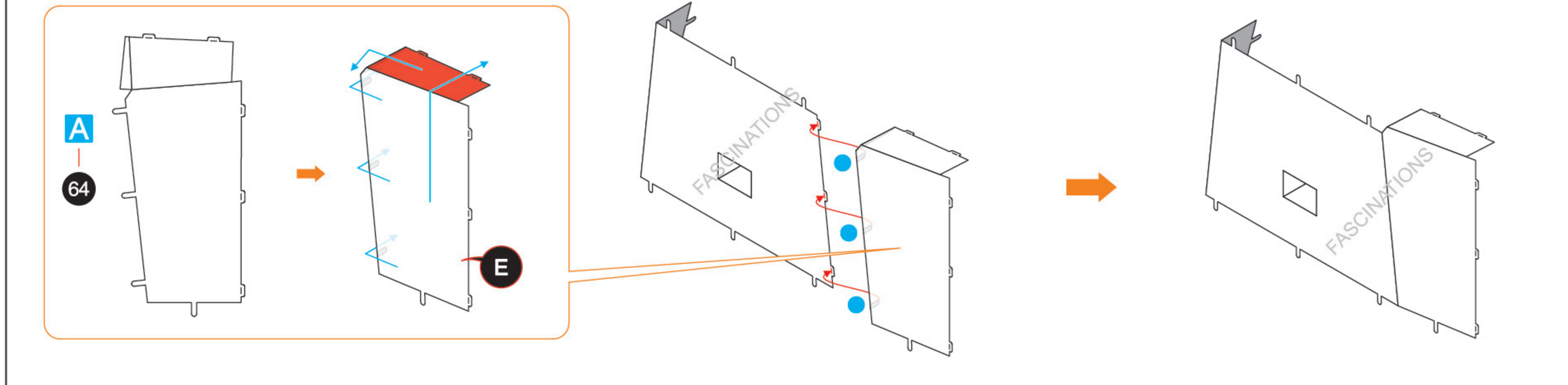
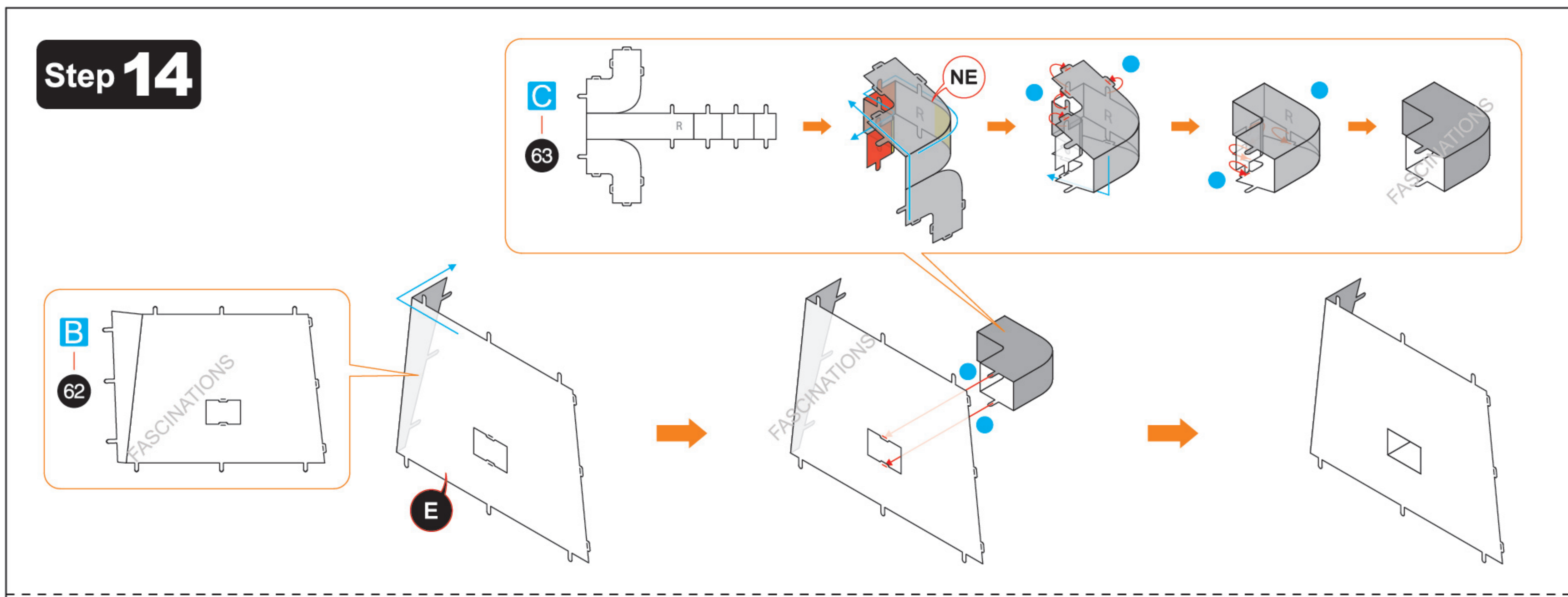
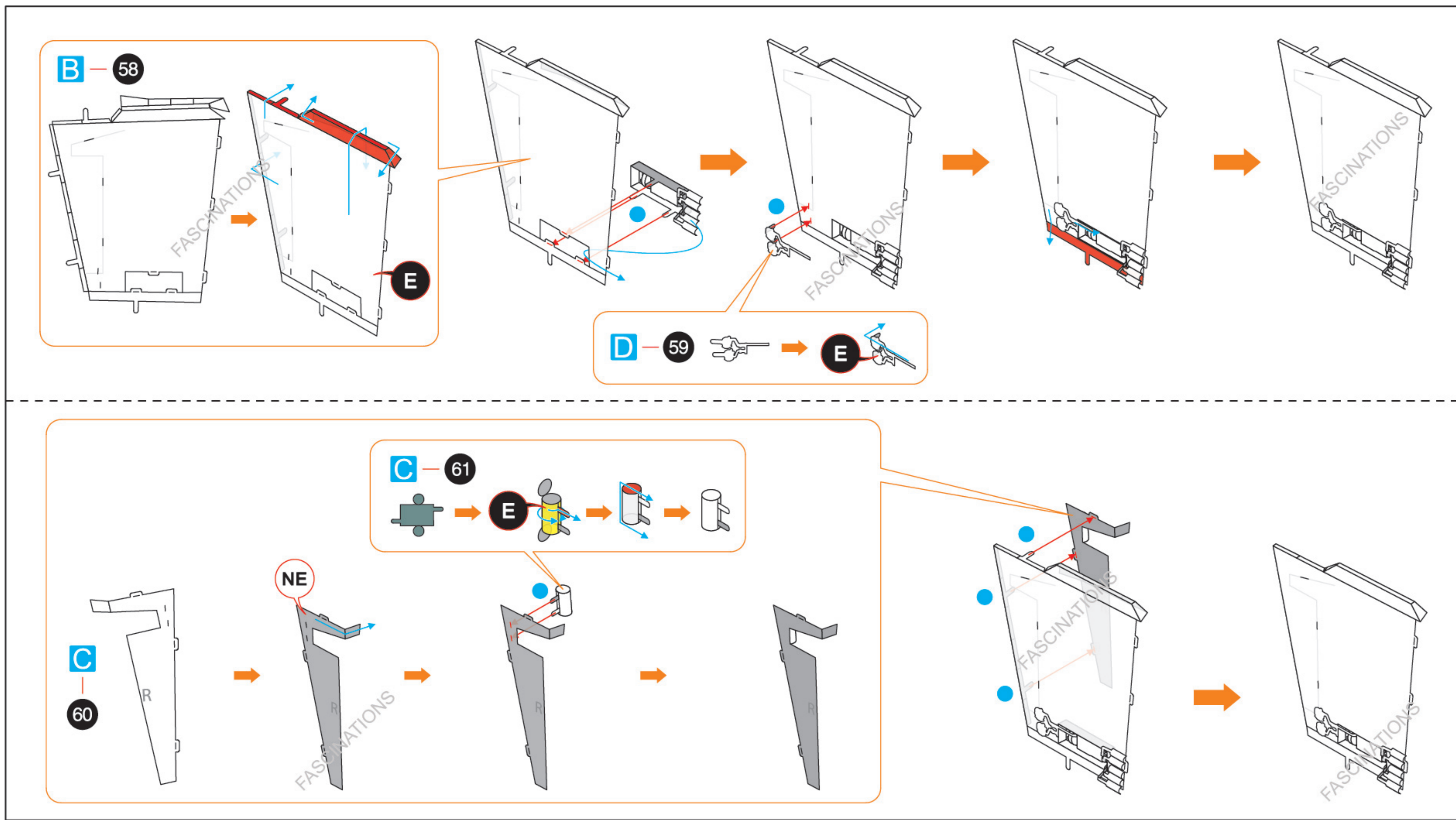
Step 12



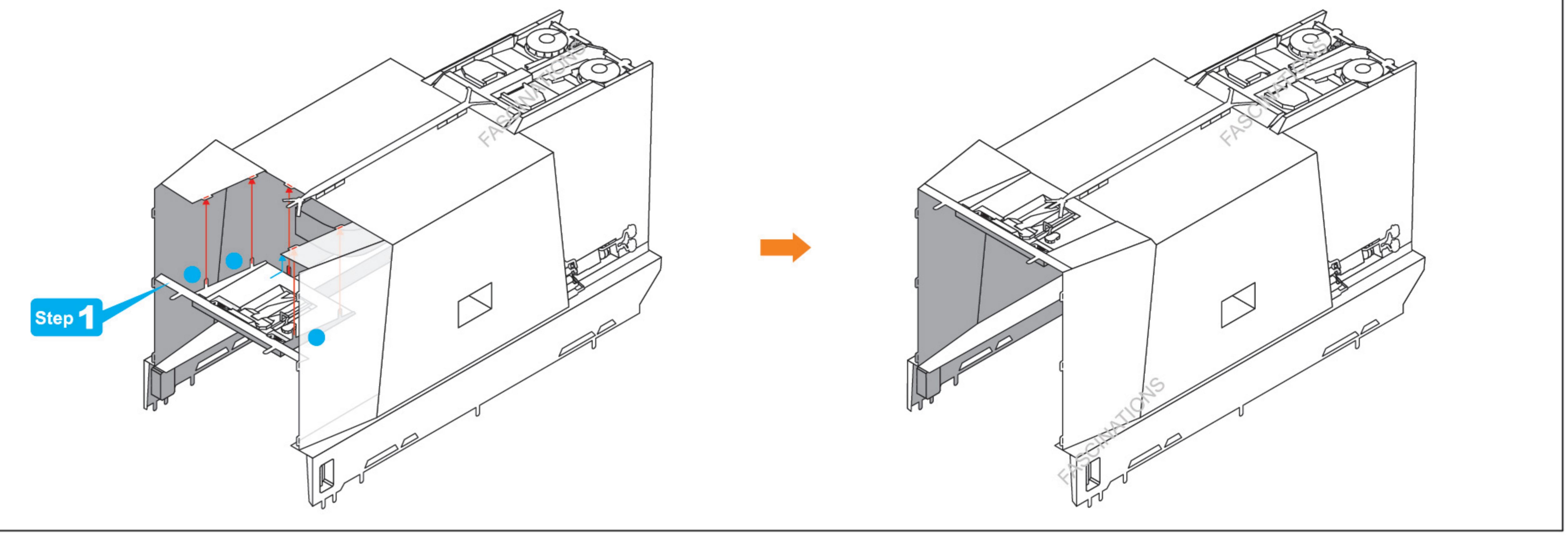
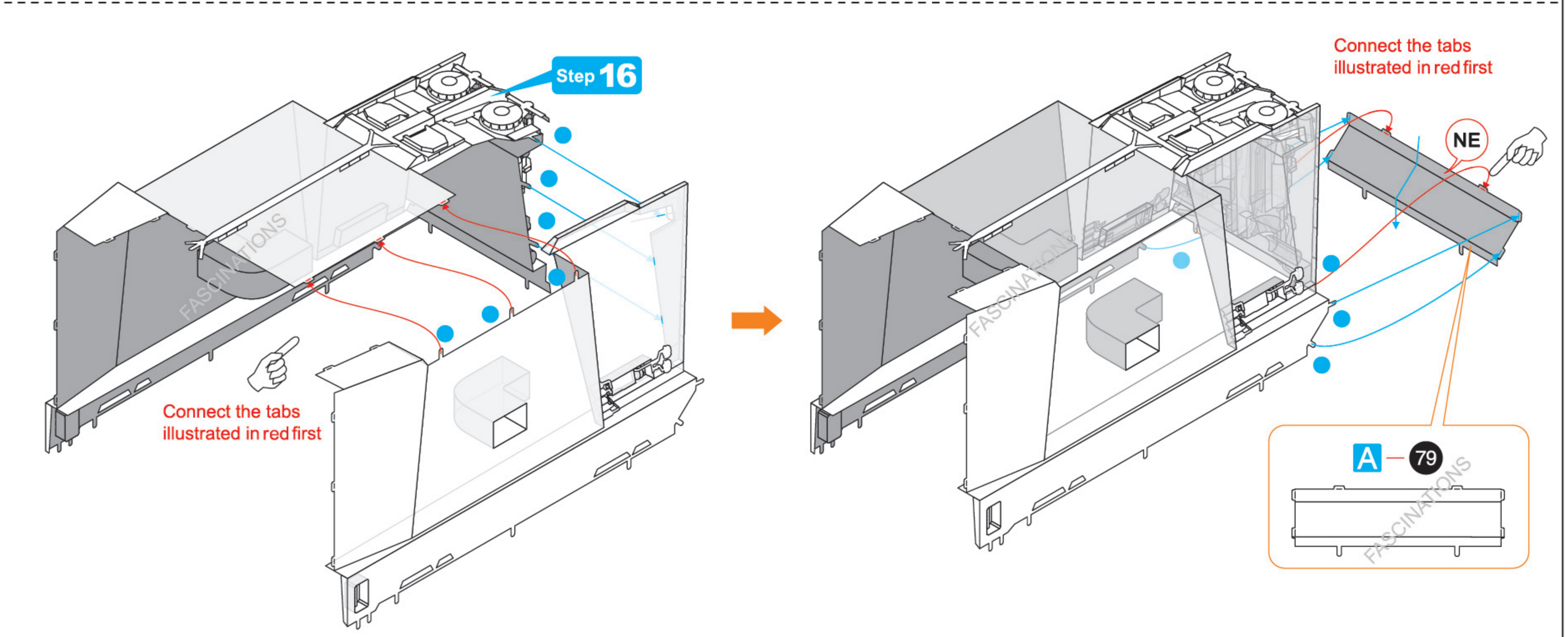
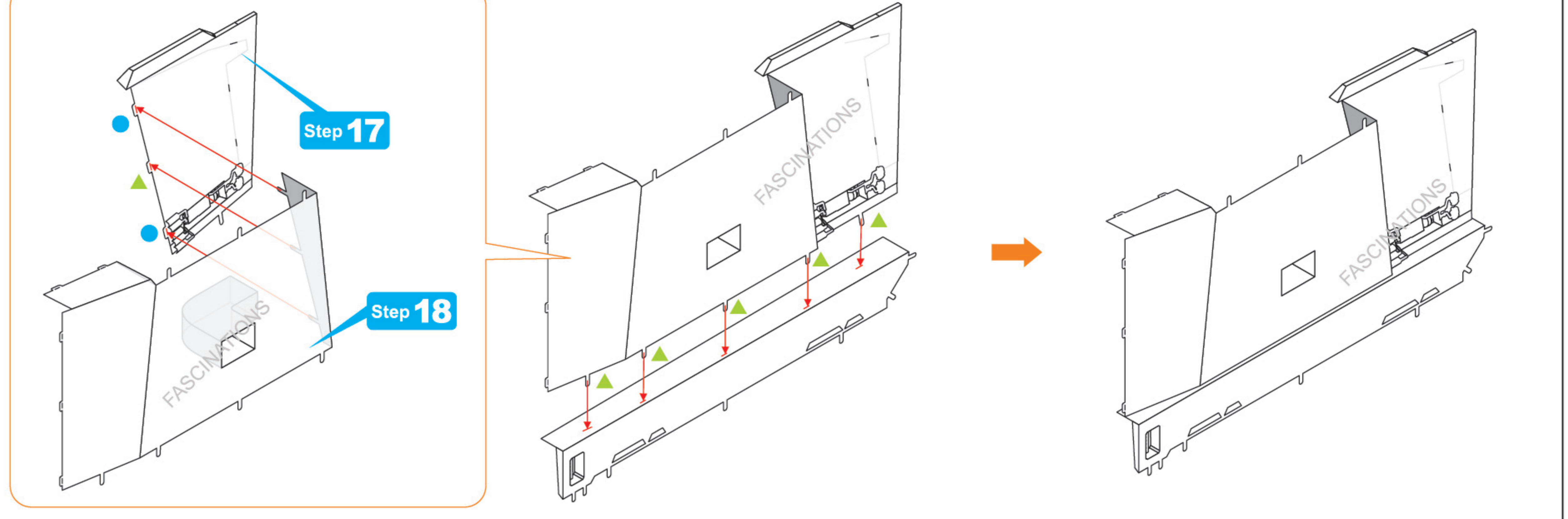
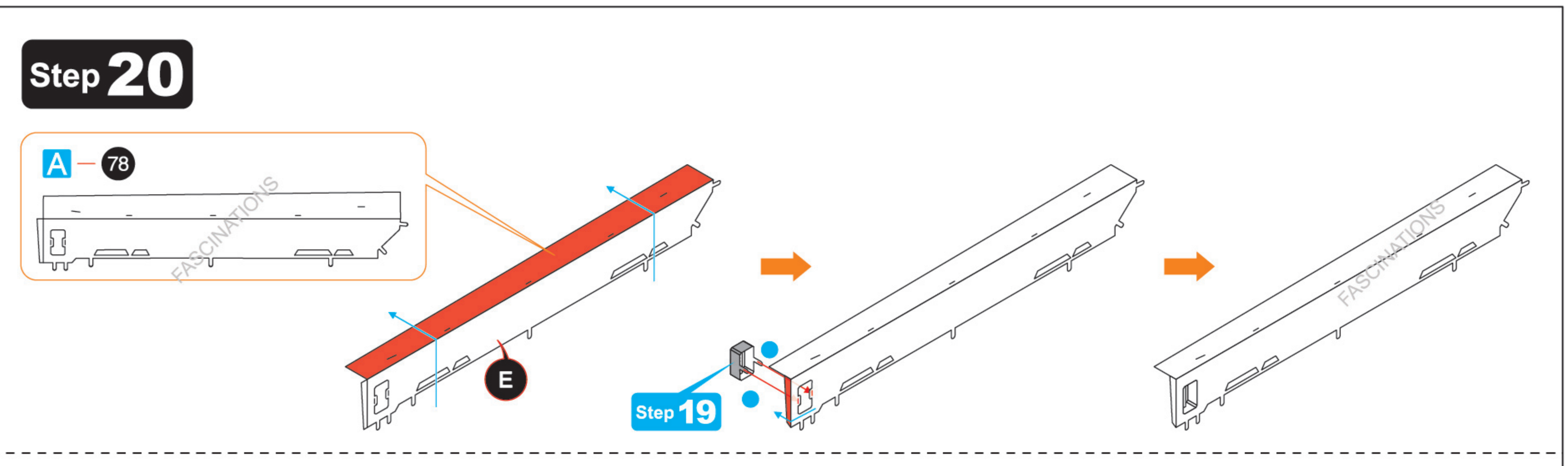
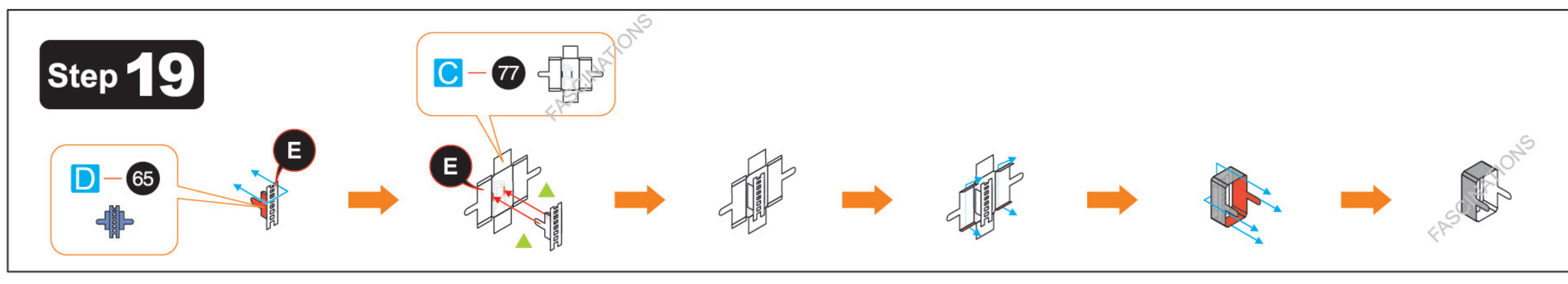
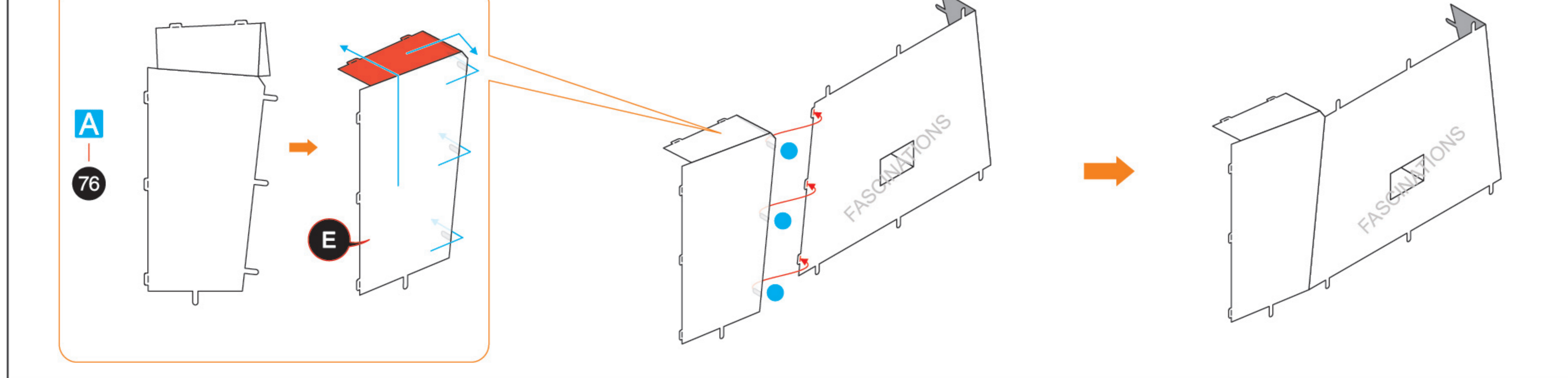
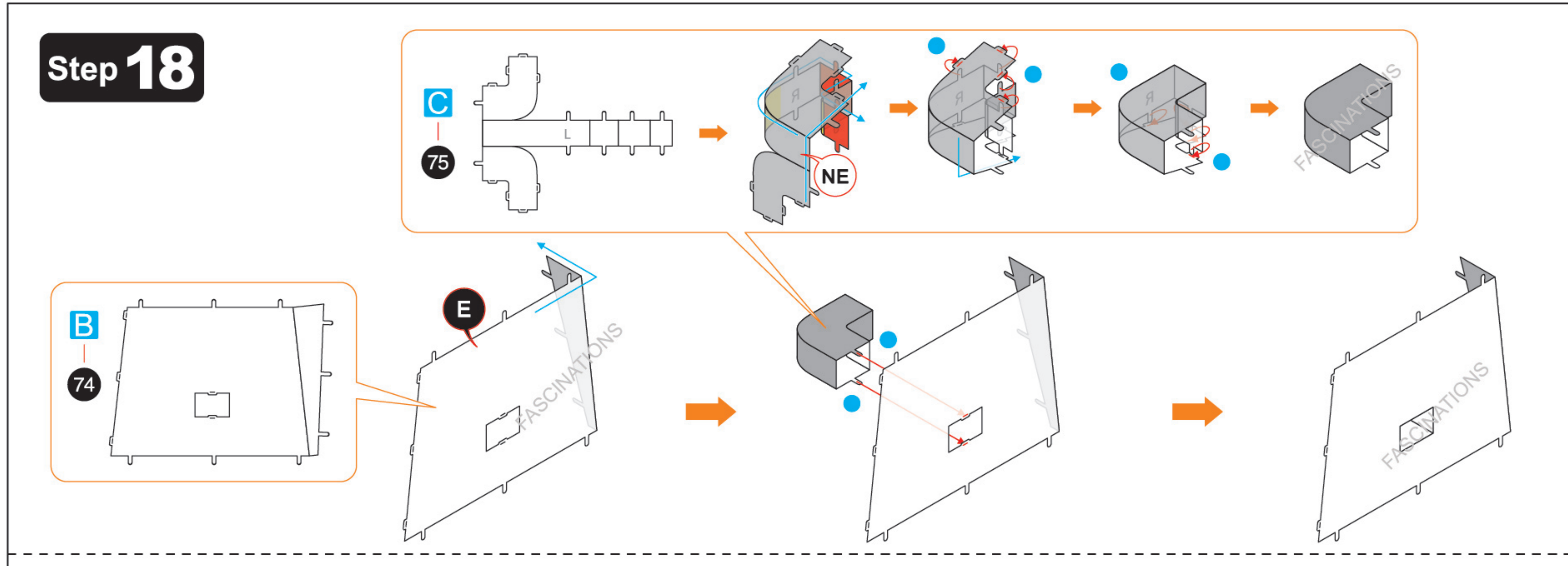
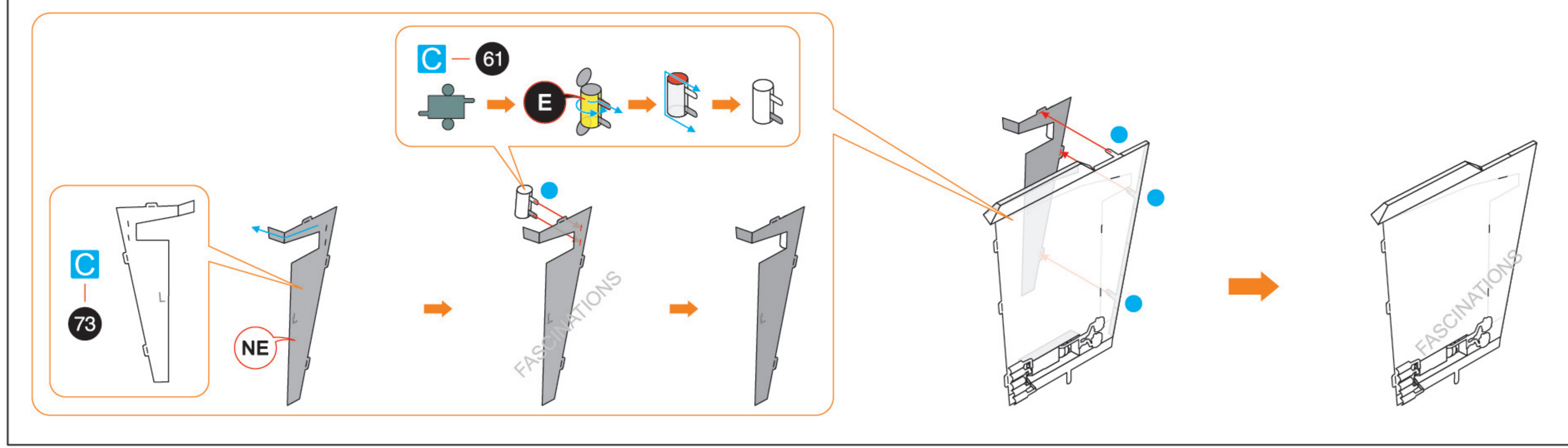
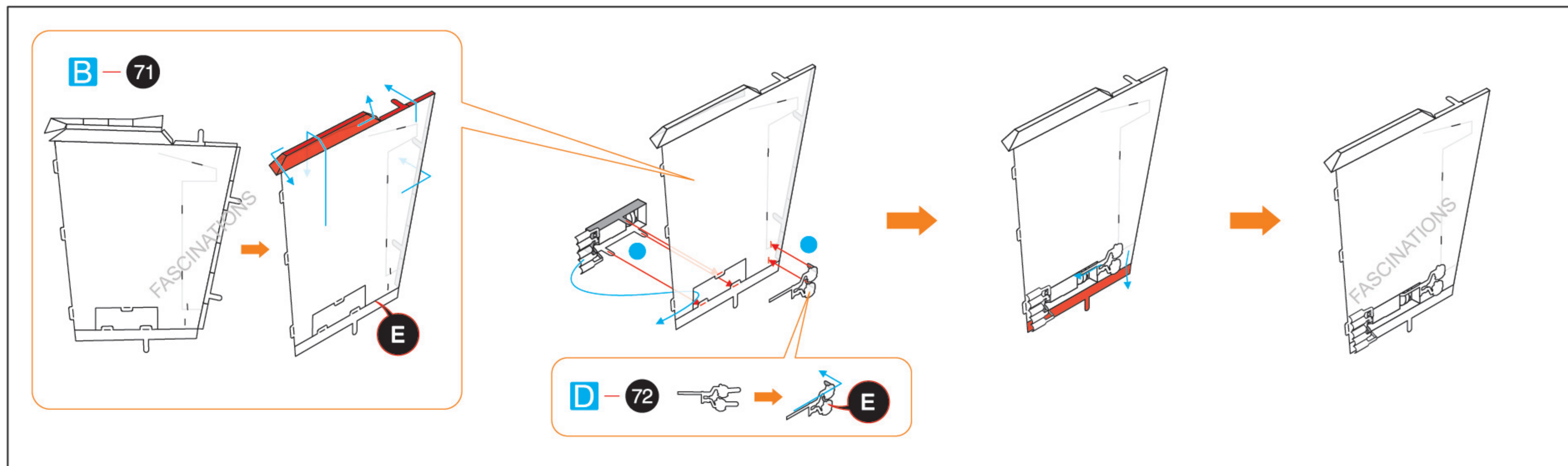
Step 13





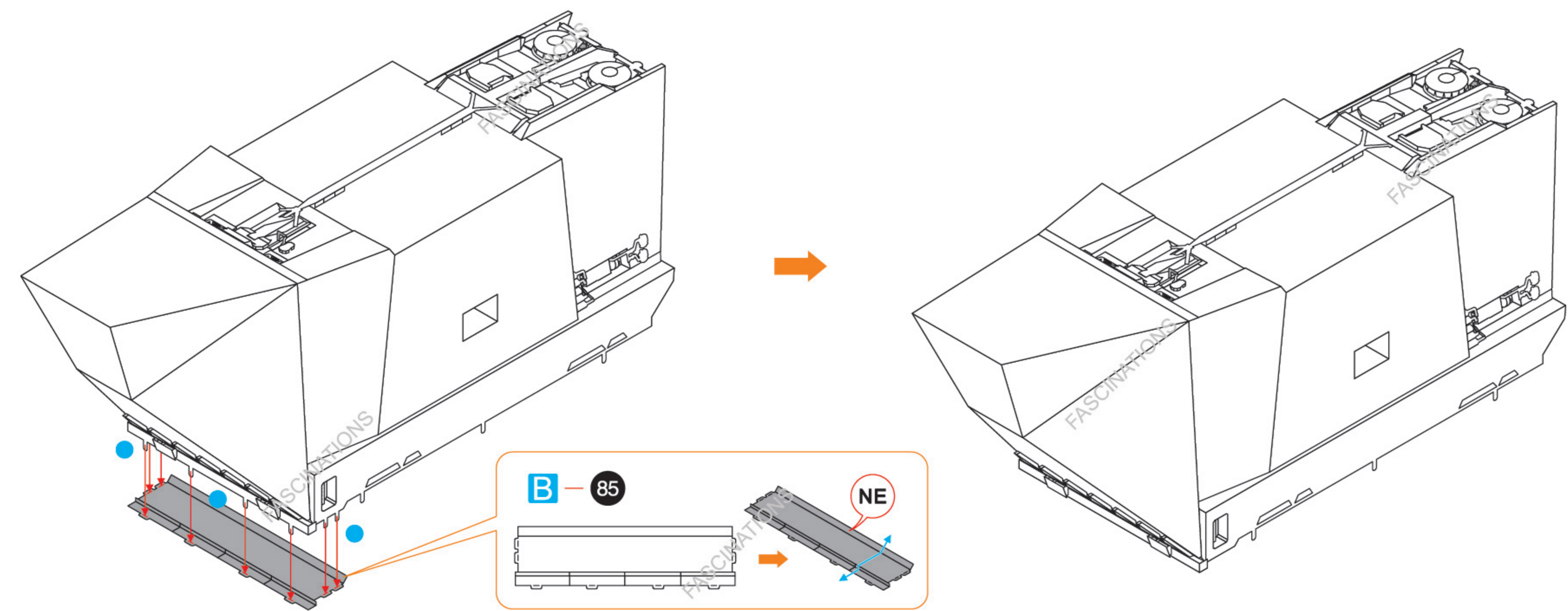
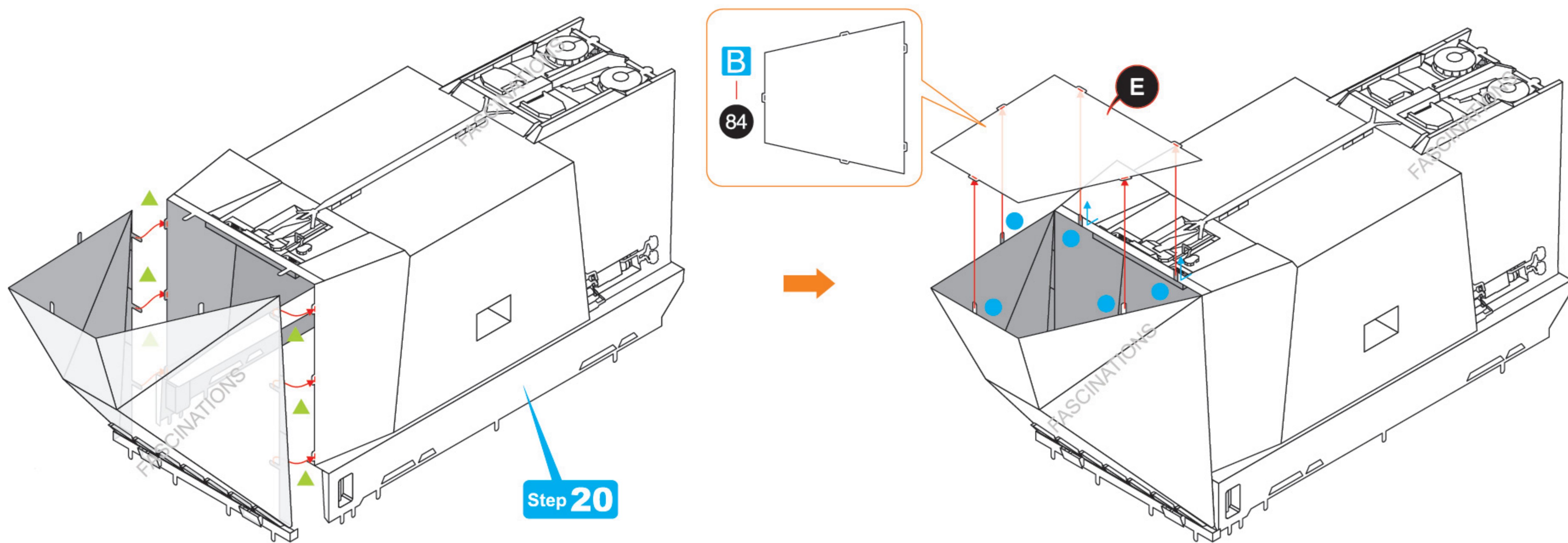
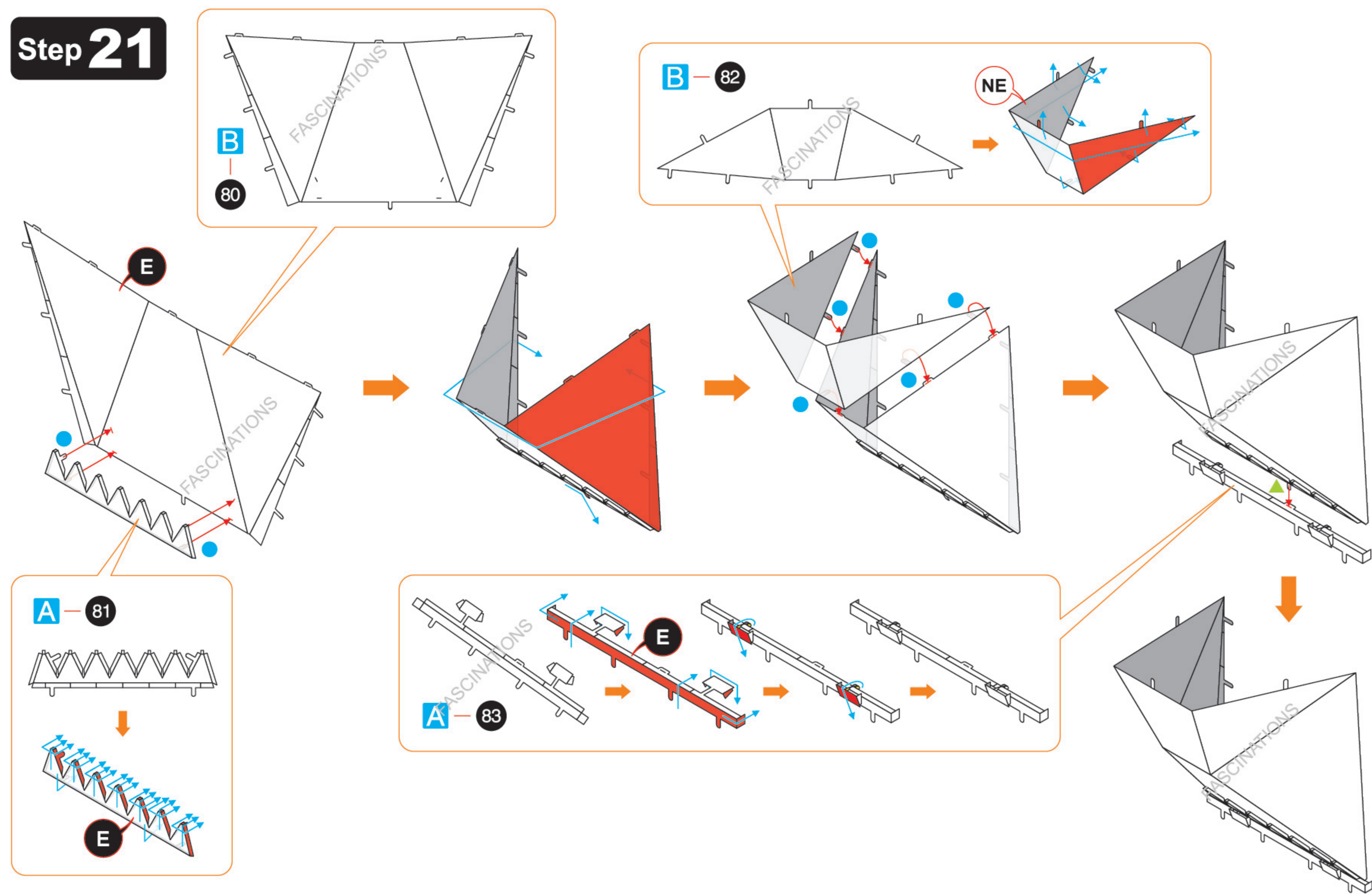




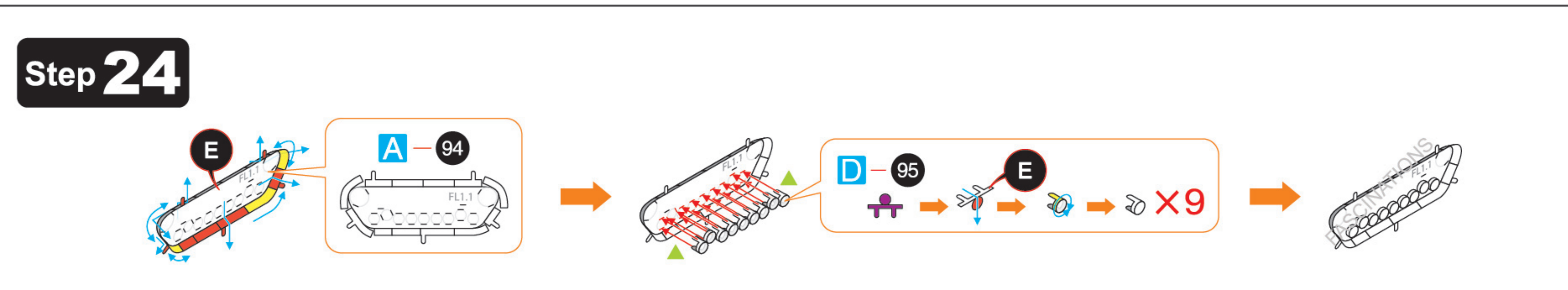
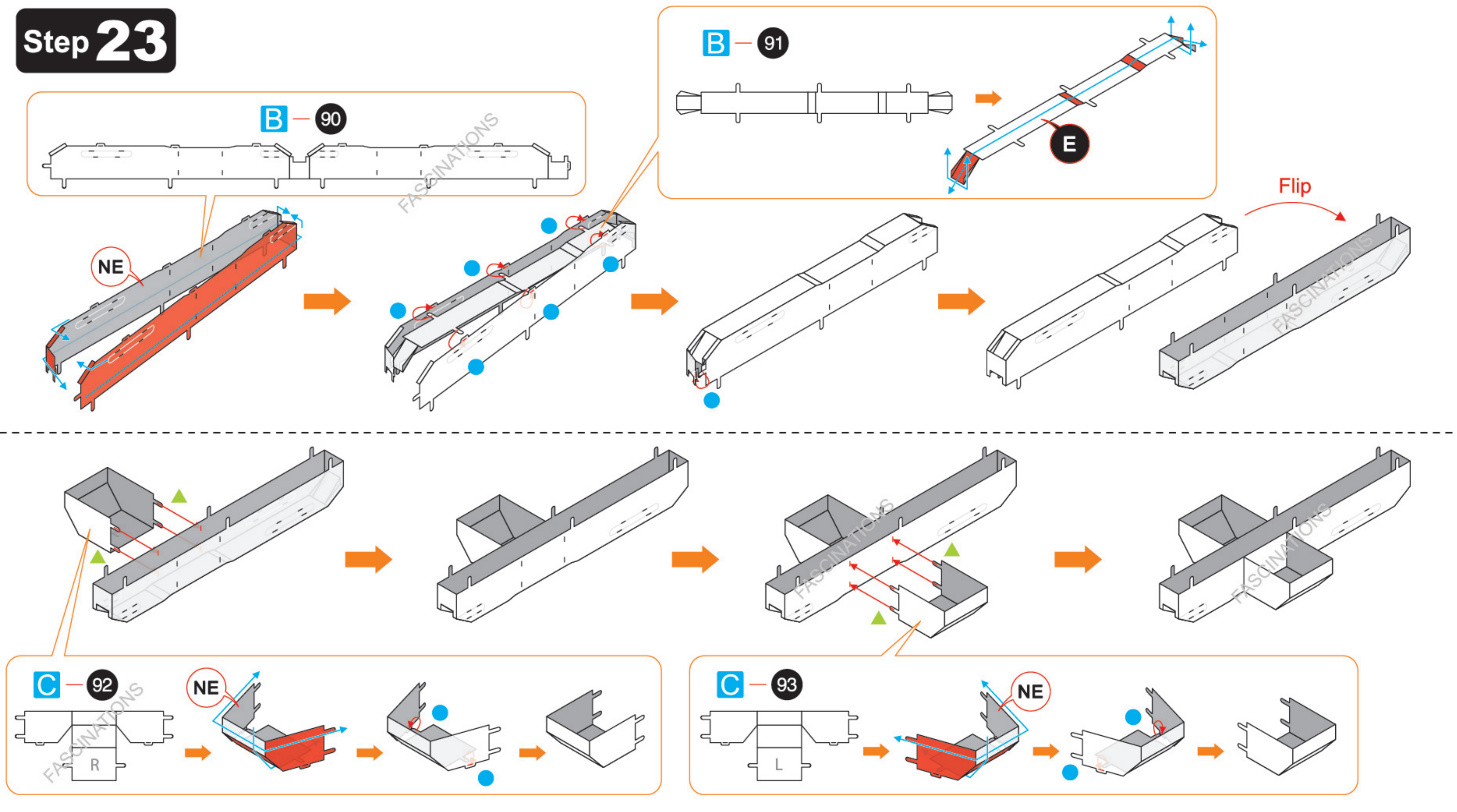
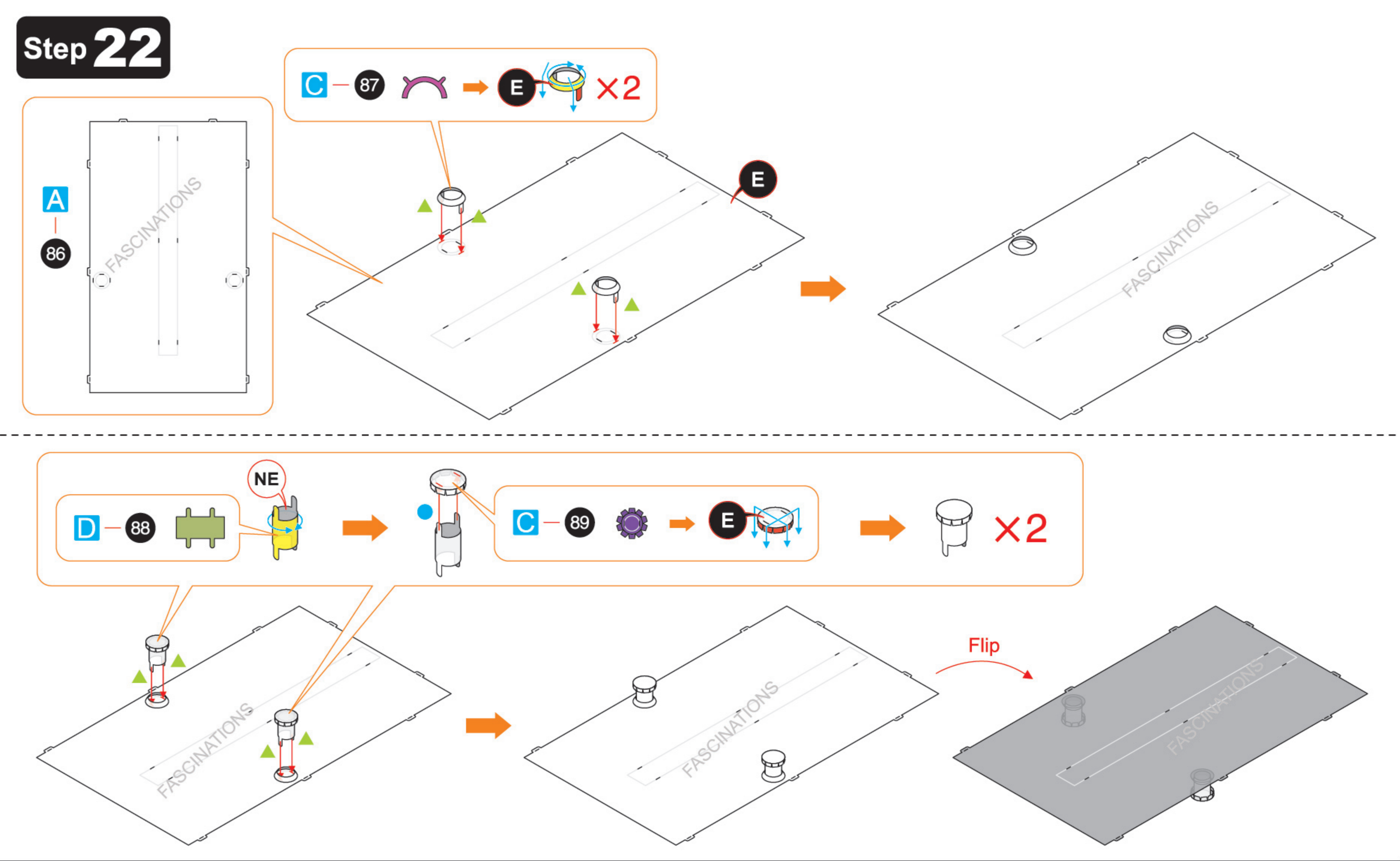




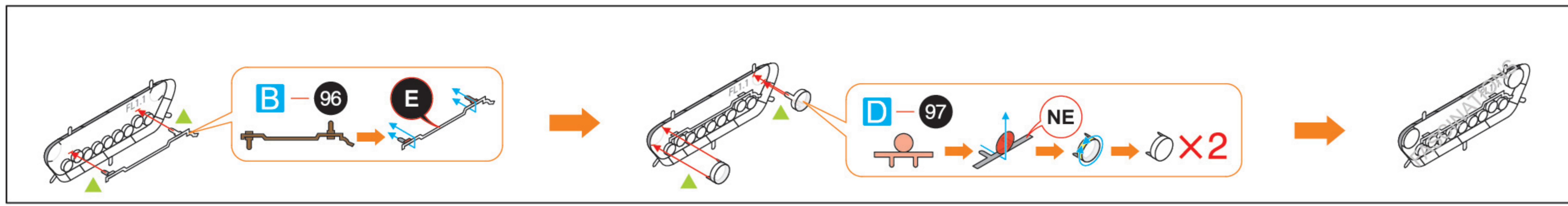
Step 21



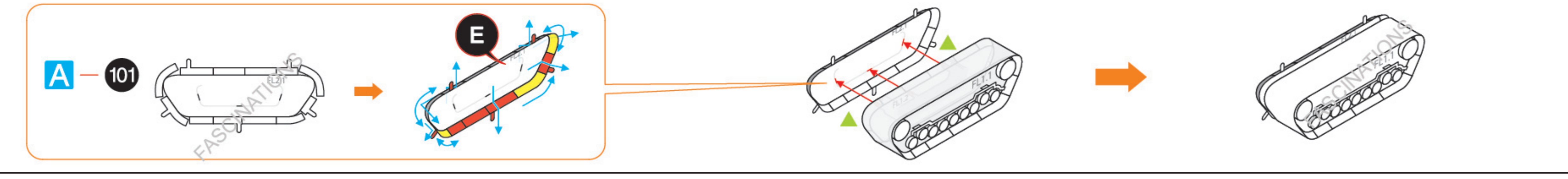
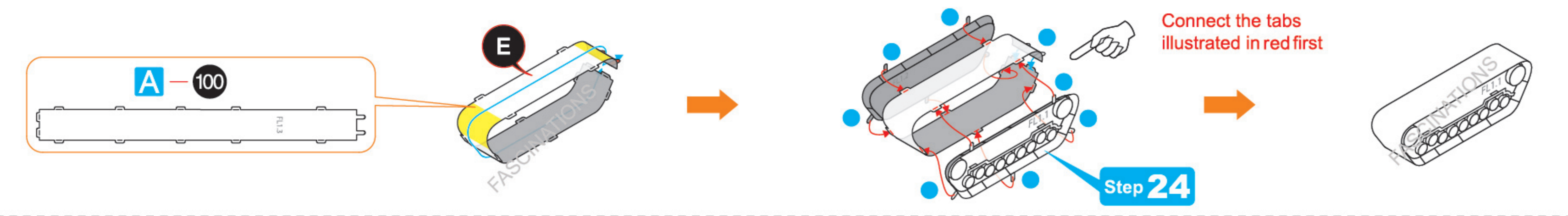
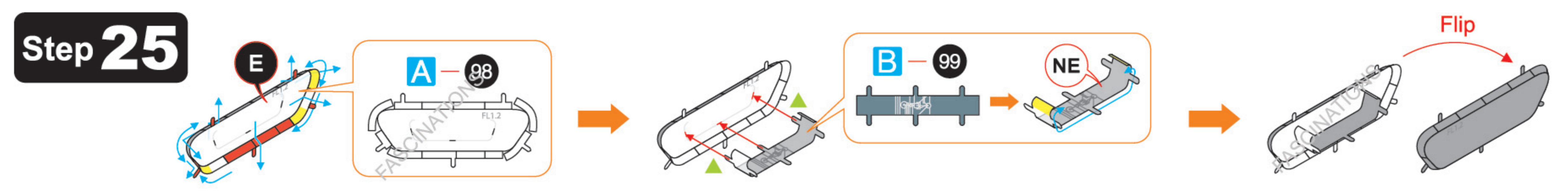
Step 22



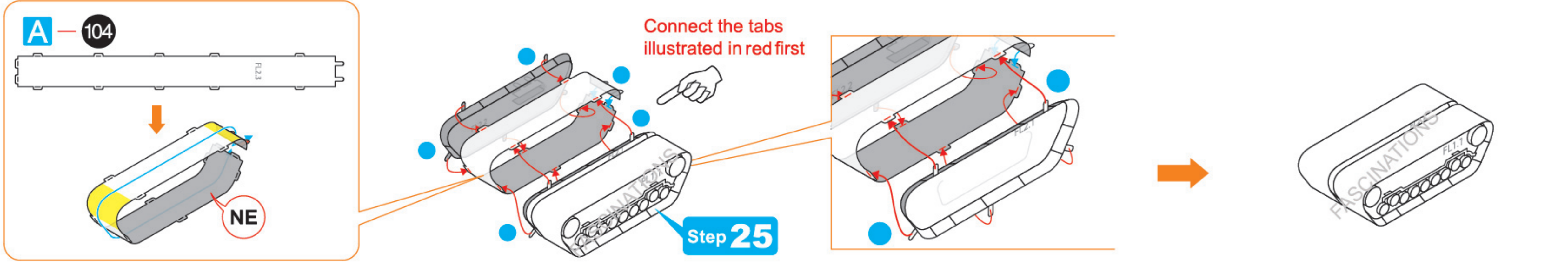
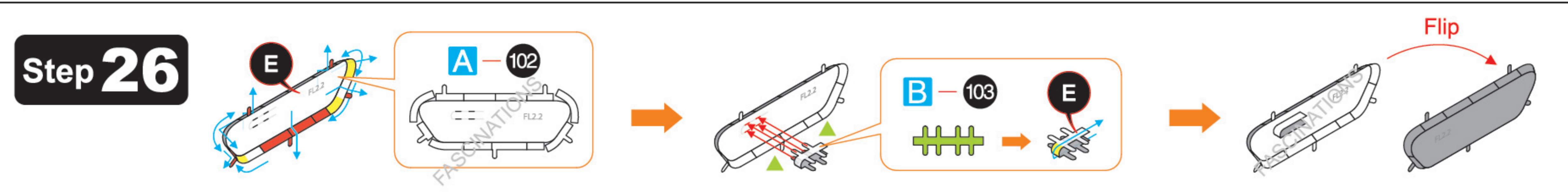




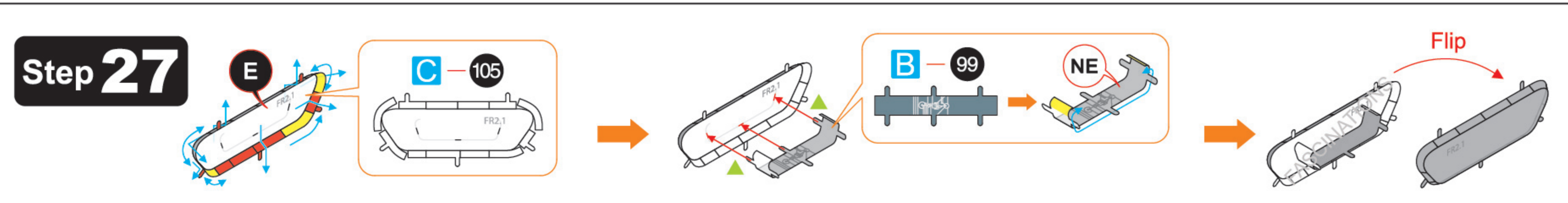
**Step 25**



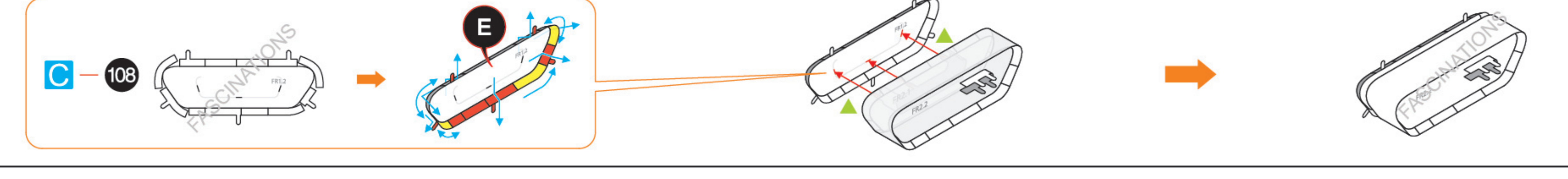
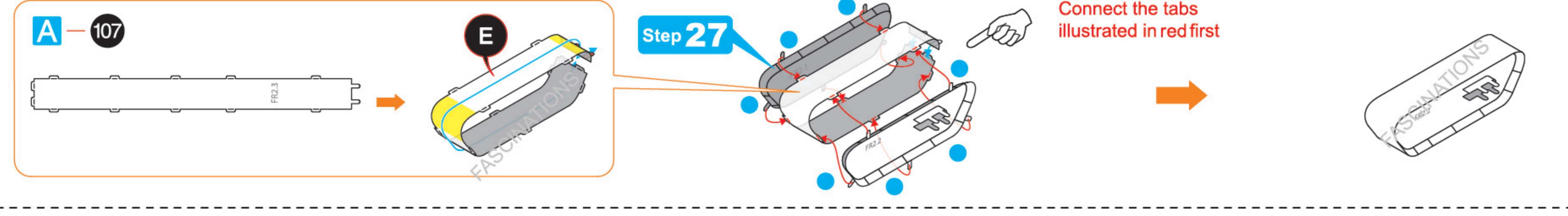
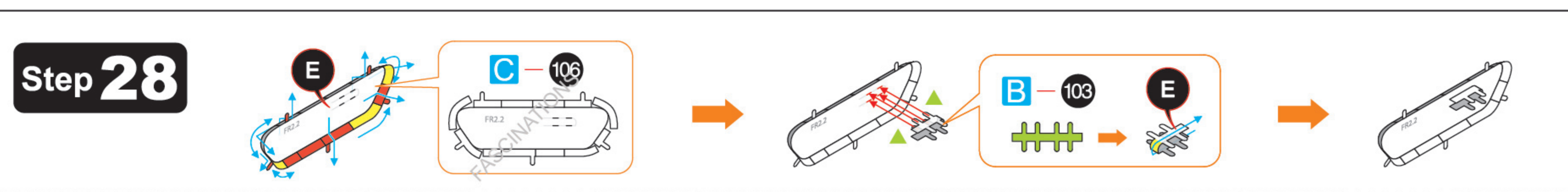
**Step 26**



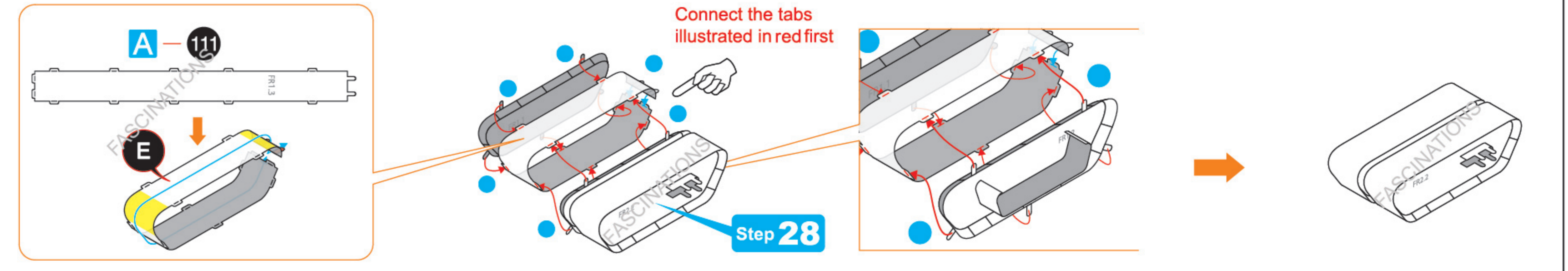
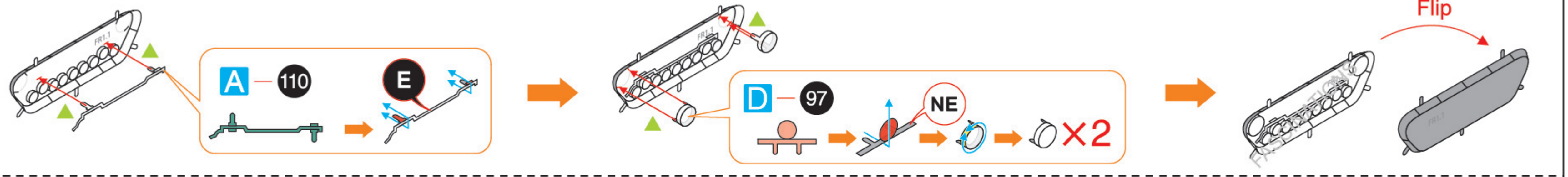
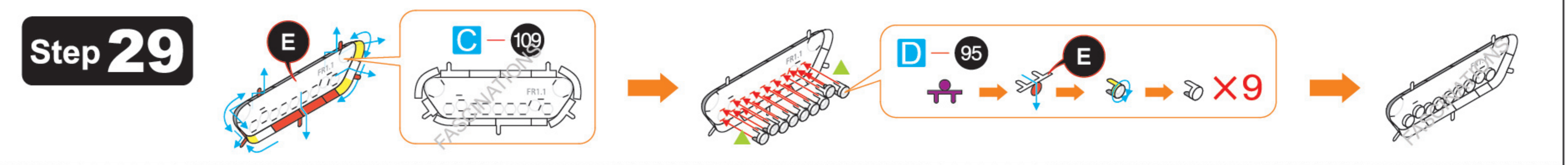
**Step 27**



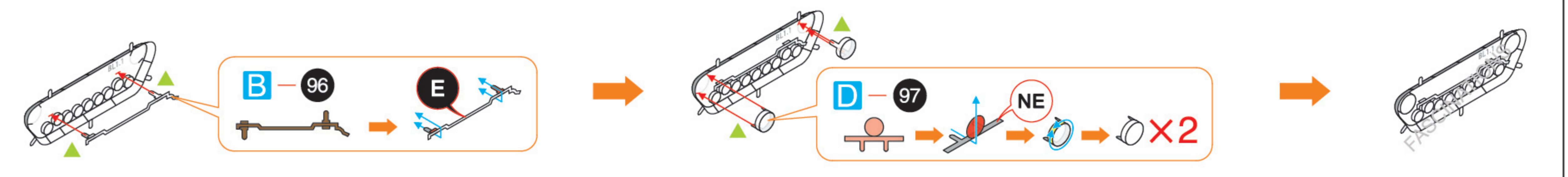
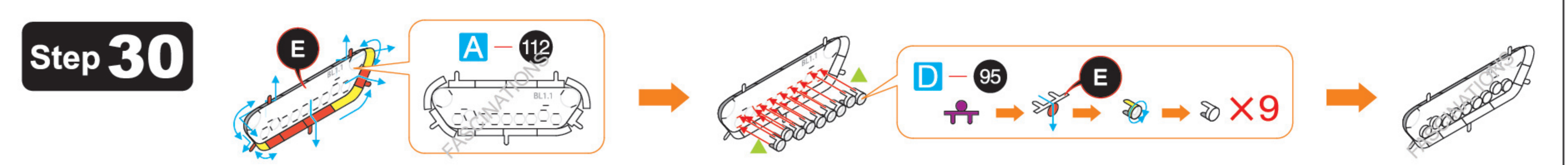
**Step 28**



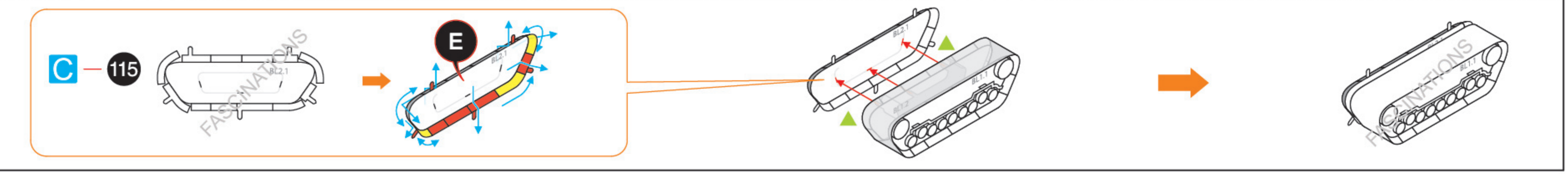
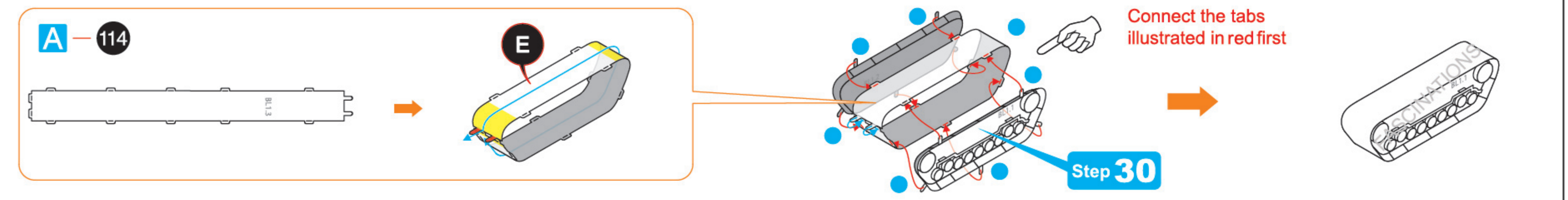
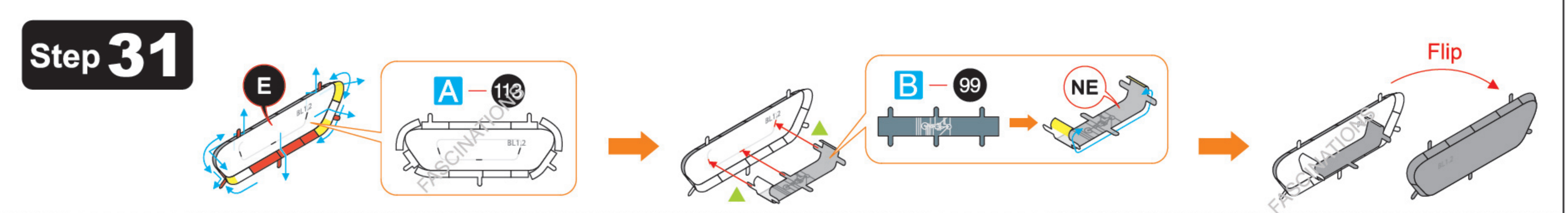
**Step 29**



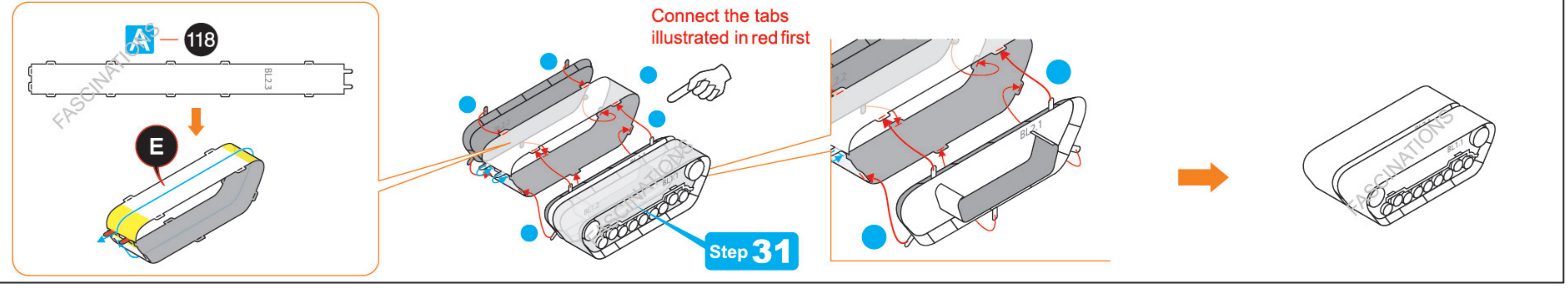
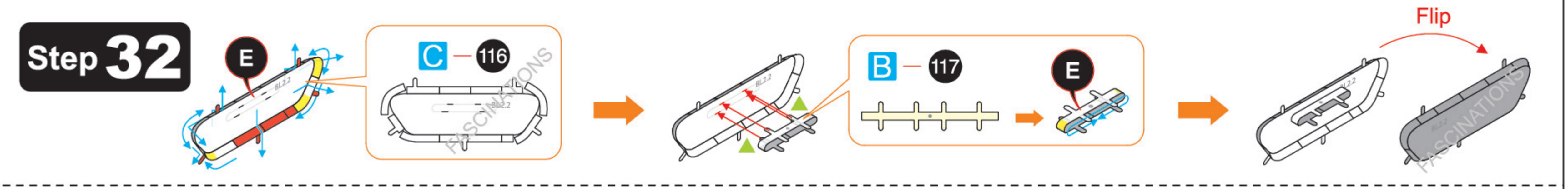
**Step 30**



**Step 31**

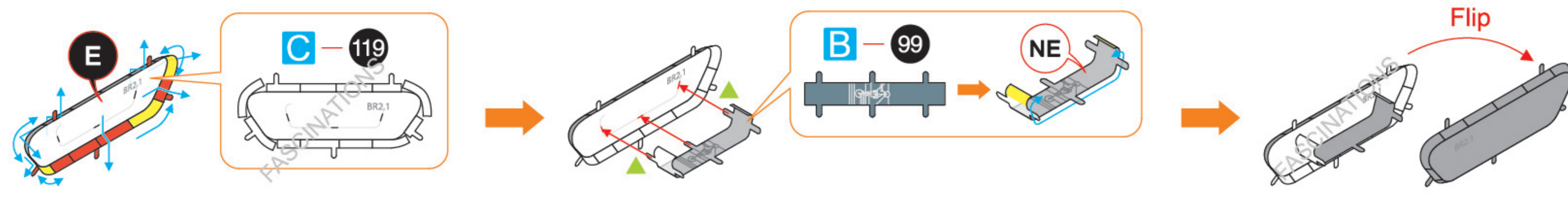


**Step 32**

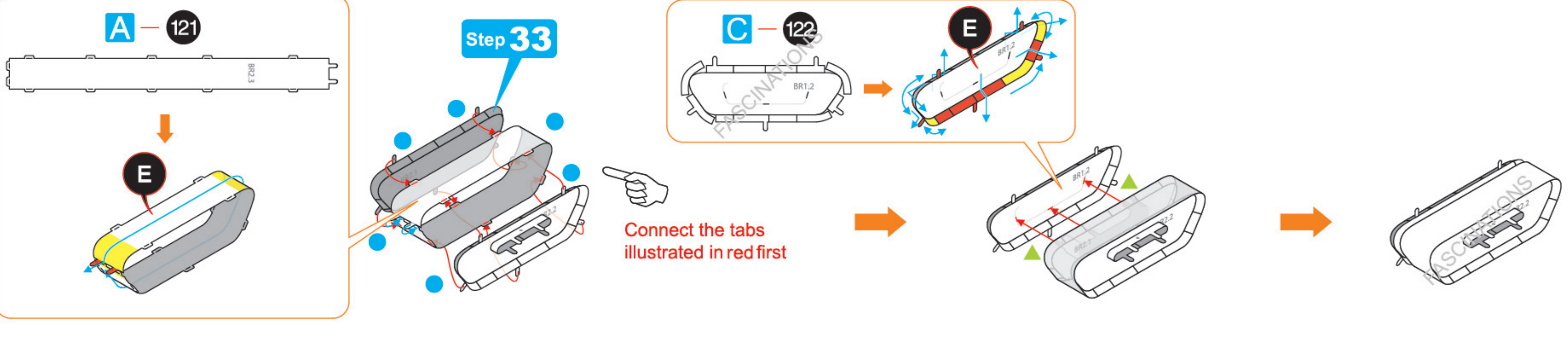
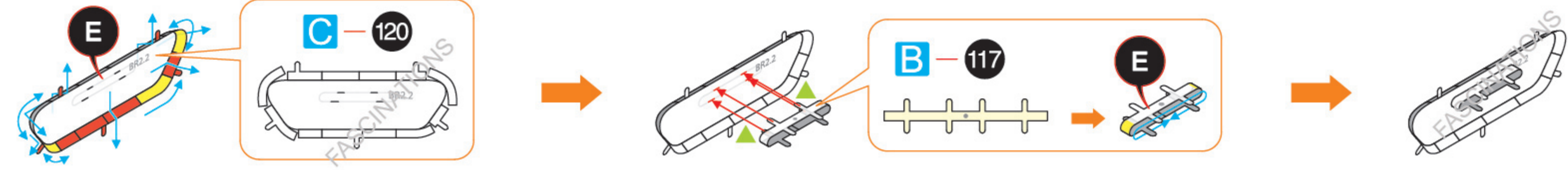




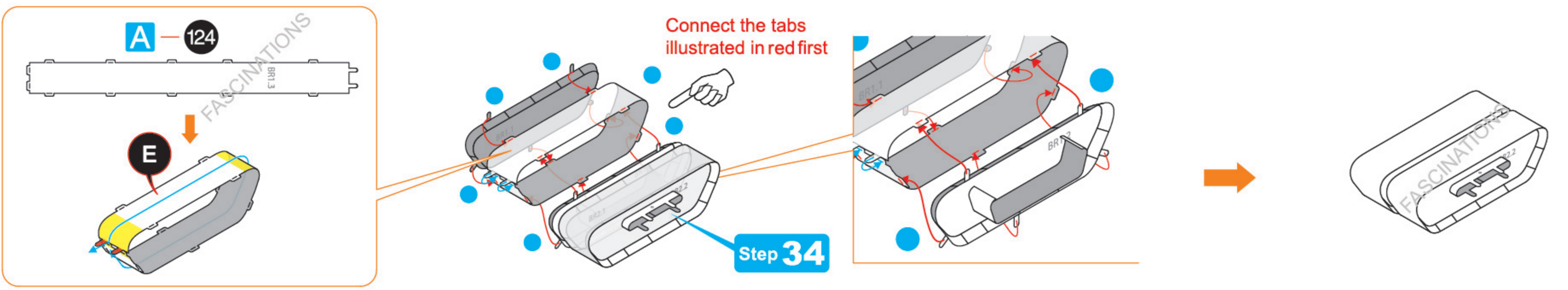
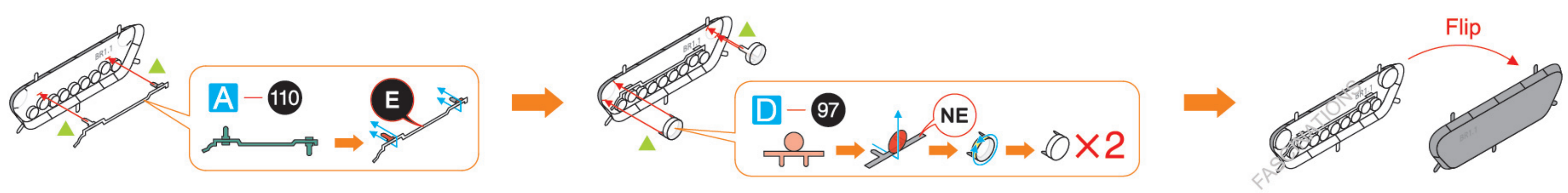
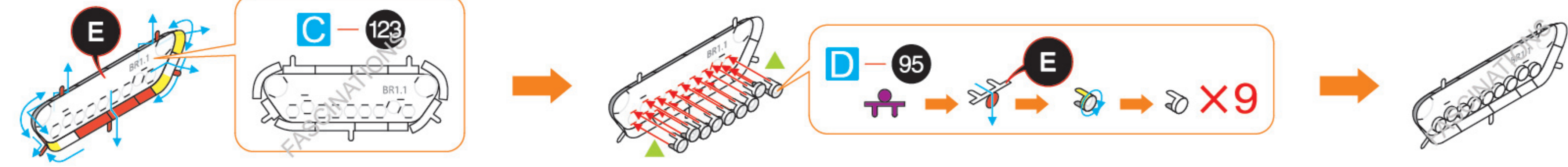
Step 33



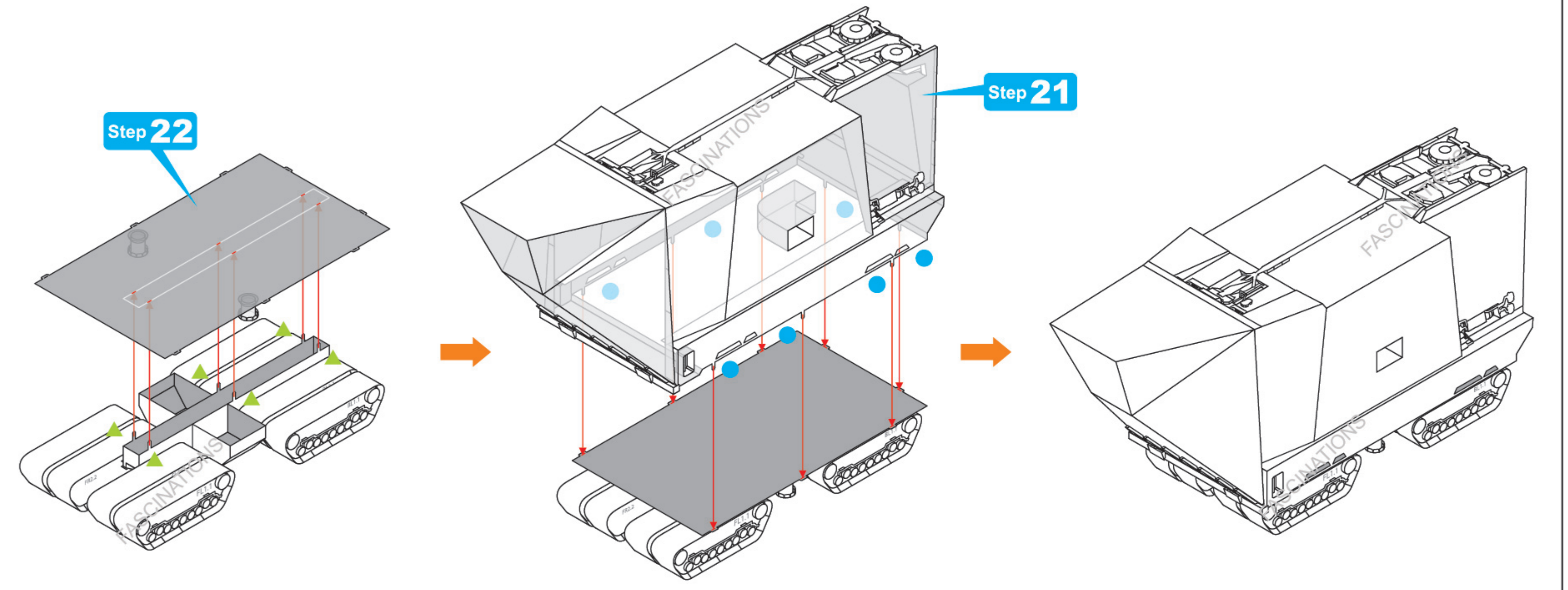
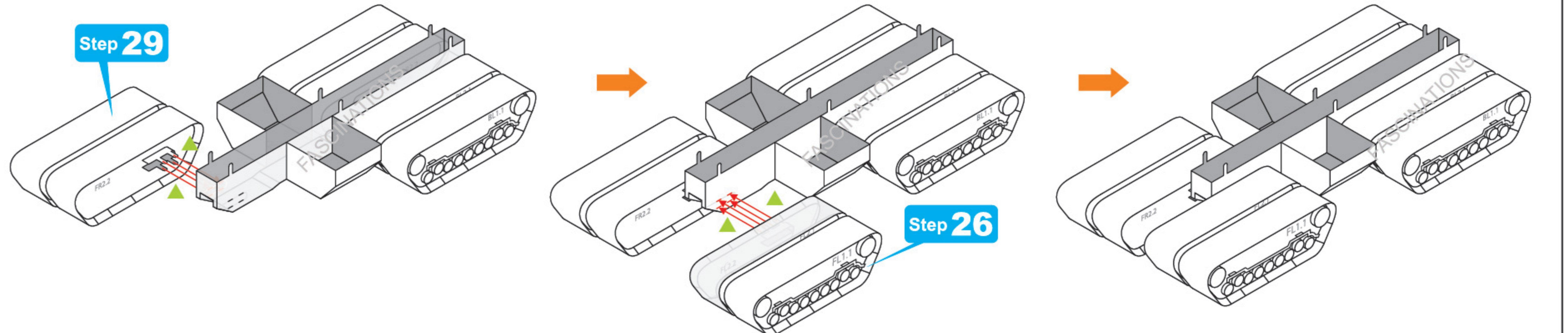
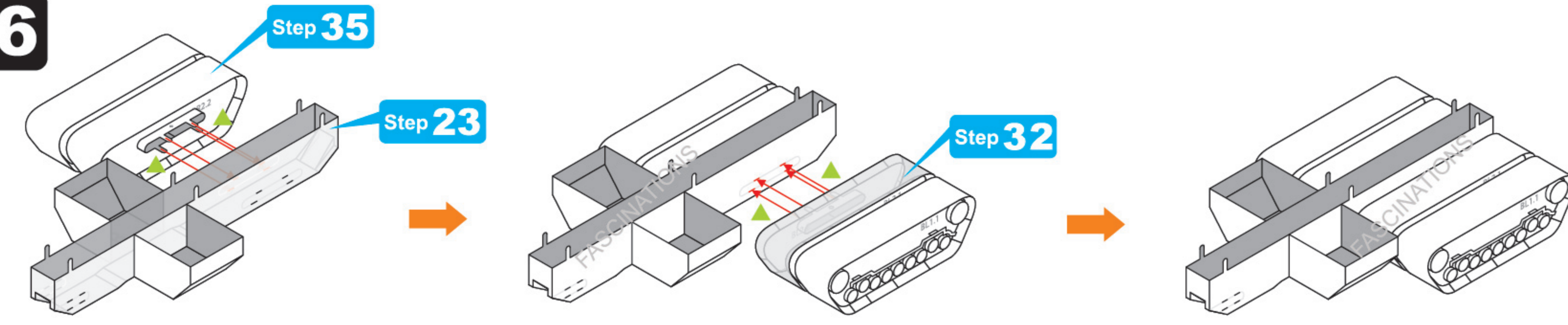
Step 34



Step 35



Step 36



Step 37

