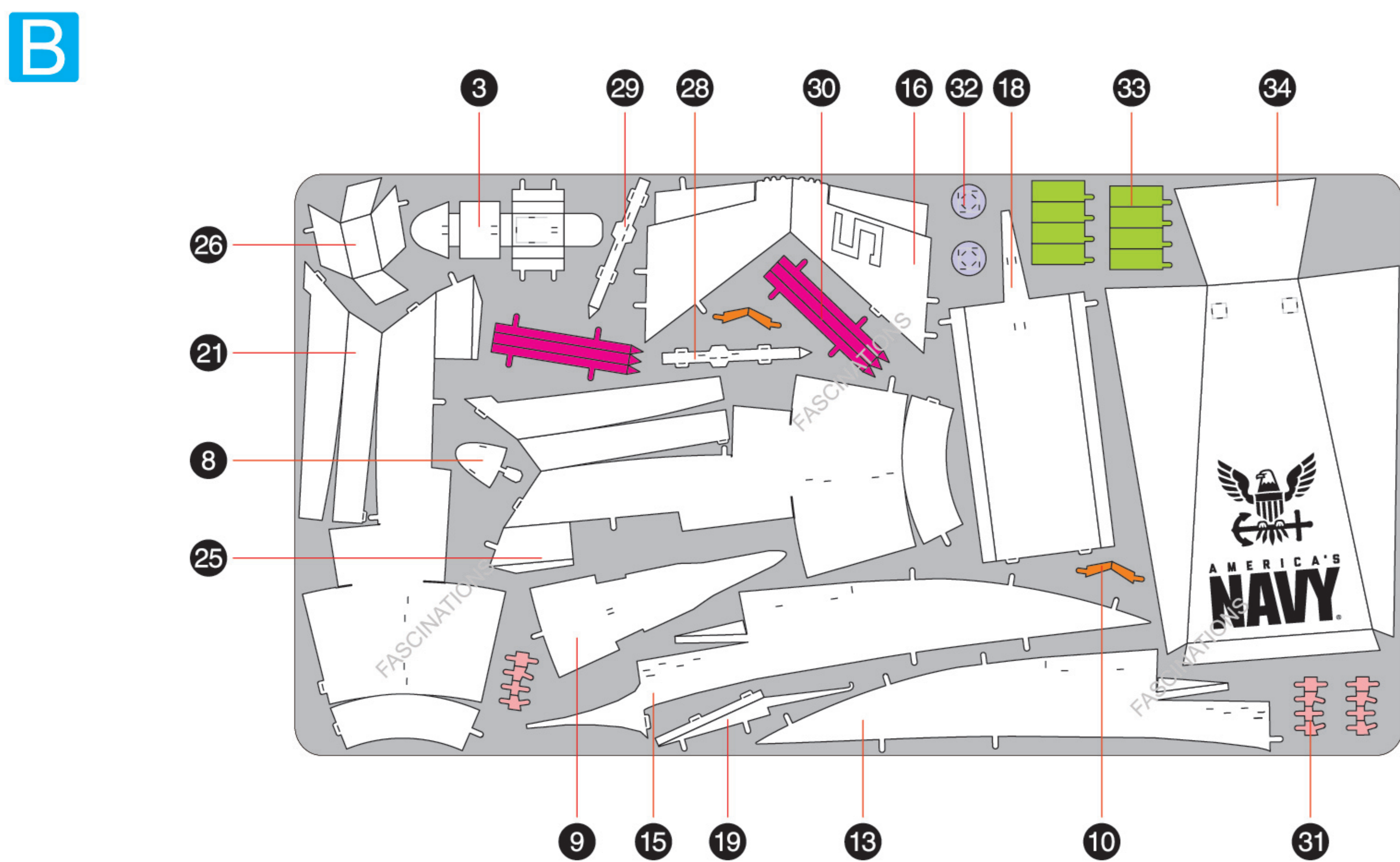




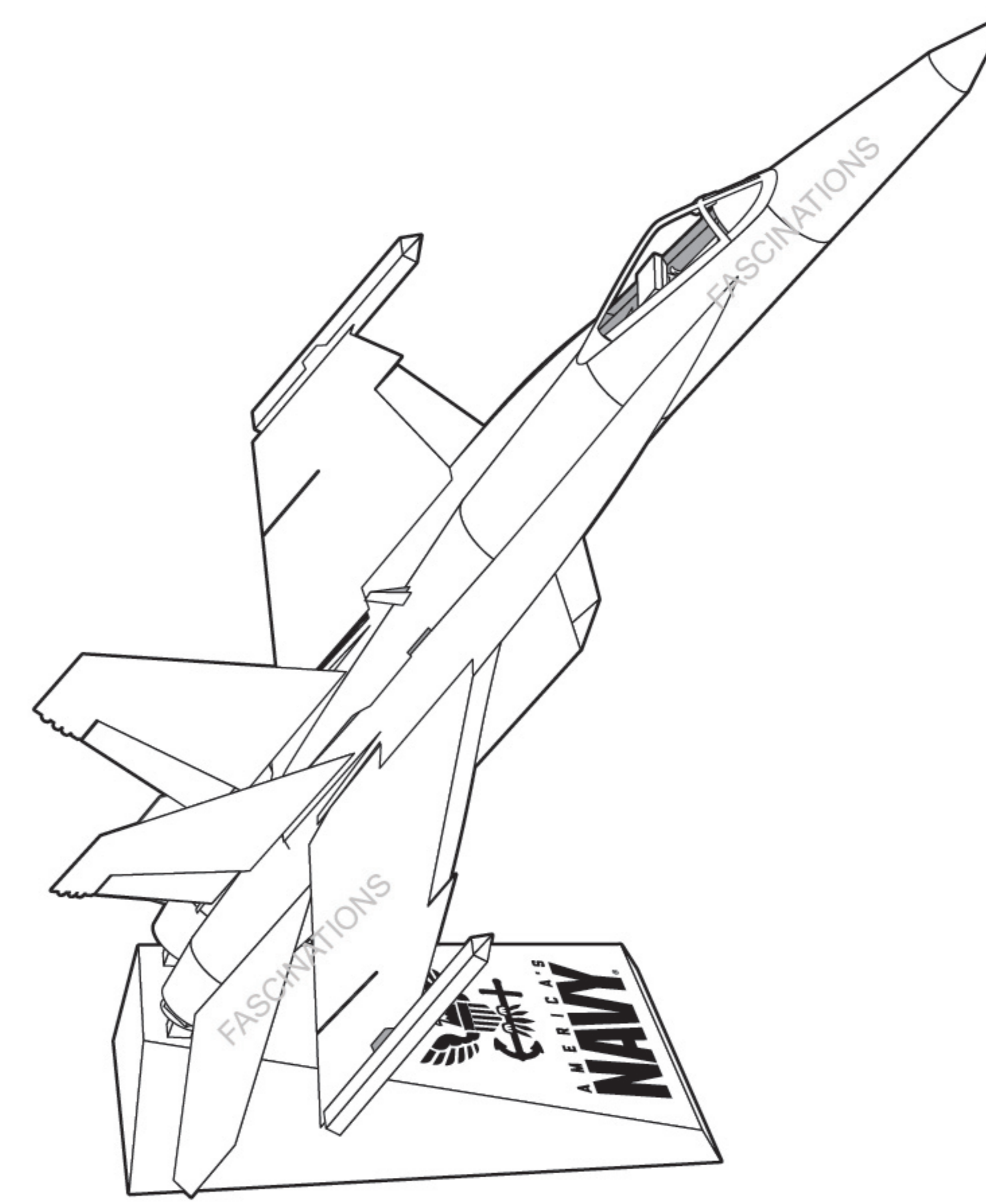
It is highly recommended that you visit www.metalearth.com/360/ICX212 to see the completed model before assembling your own

METAL SHEETS

Parts with same color are duplicates

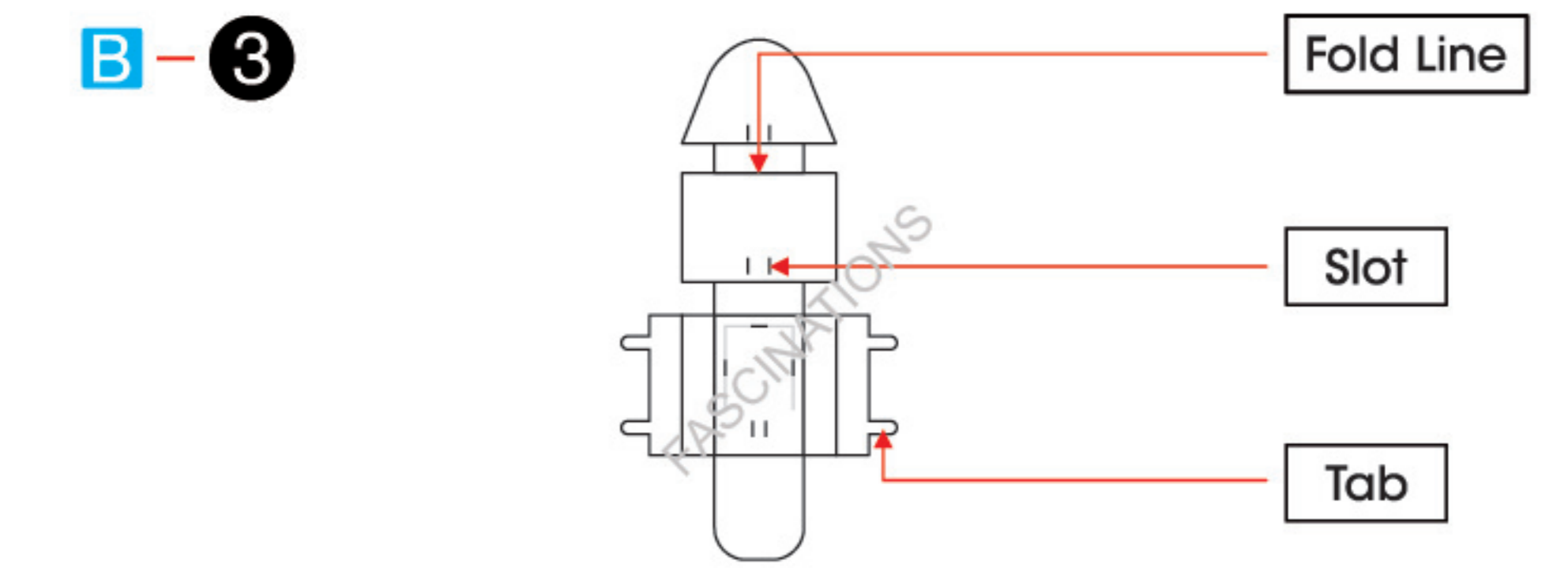


ICX212



BLUE ANGELS® F/A-18 SUPER HORNET™

TO CREATE THE BEST CONNECTIONS



Legends:

- E** Engraved/ Color side
- NE** Non - engraved/ Silver side
- Attention point
- Insert tab and bend 90 degrees
- Insert tab and twist 90 degrees

Recommended tools:

- Wire cutters: helpful for taking parts from the metal sheets.
- Tweezers or needle nose pliers: helpful for folding parts, bending and twisting tabs.

Assembly tip:

If needed, slightly twist tabs to hold parts together then untwist and bend them down for a nice finish.

In order to avoid possible injury from sharp edges, please carefully discard the metal sheets after parts have been removed.

ASSEMBLY STEPS

