



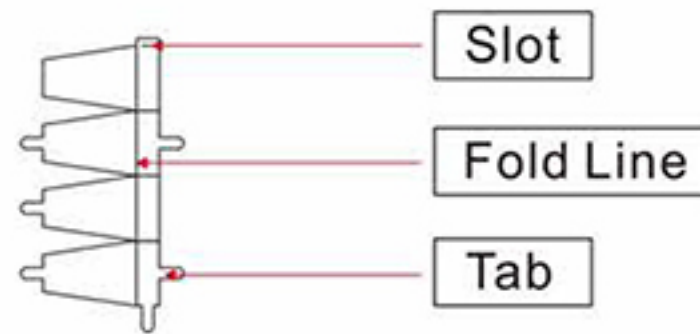
It is highly recommended that you visit [www.metalearth.com/360/icx111](http://www.metalearth.com/360/icx111) to see the completed model before assembling your own

3D METAL MODEL KITS

## ICX111 USS Missouri (BB-63)



### TO CREATE THE BEST CONNECTIONS



**Legends:**

- Engraved side
- Non-engraved side
- Attention point
- Insert tab and bend 90 degrees
- Insert tab and twist 90 degrees

**Assembly tip:**

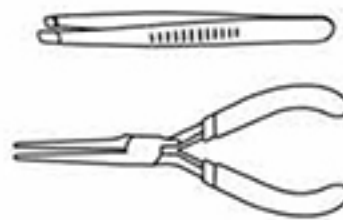
If needed, slightly twist tabs to hold parts together then untwist and bend them down for a nice finish

**Recommended tools:**

-Wire cutters: helpful for taking parts from the metal sheets.

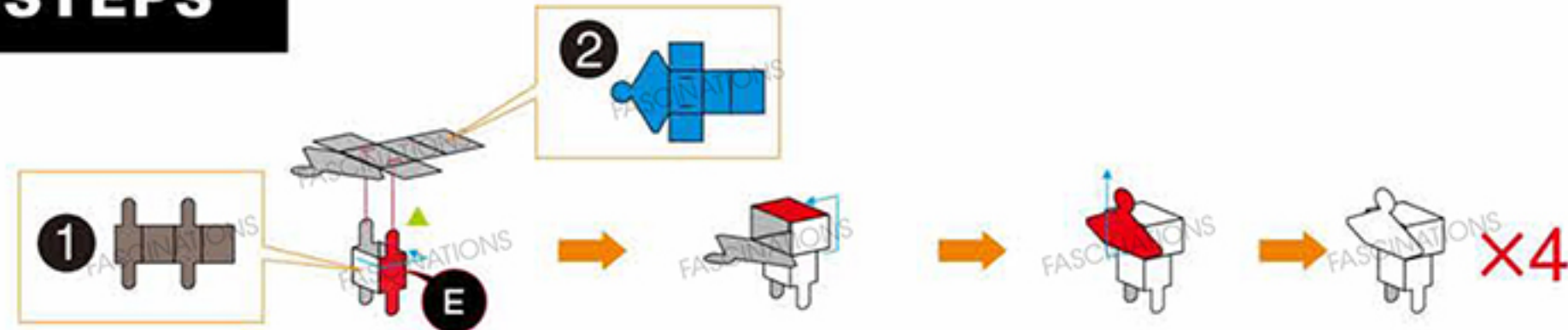


-Tweezers or needle nose pliers: helpful for folding parts, bending and twisting tabs.

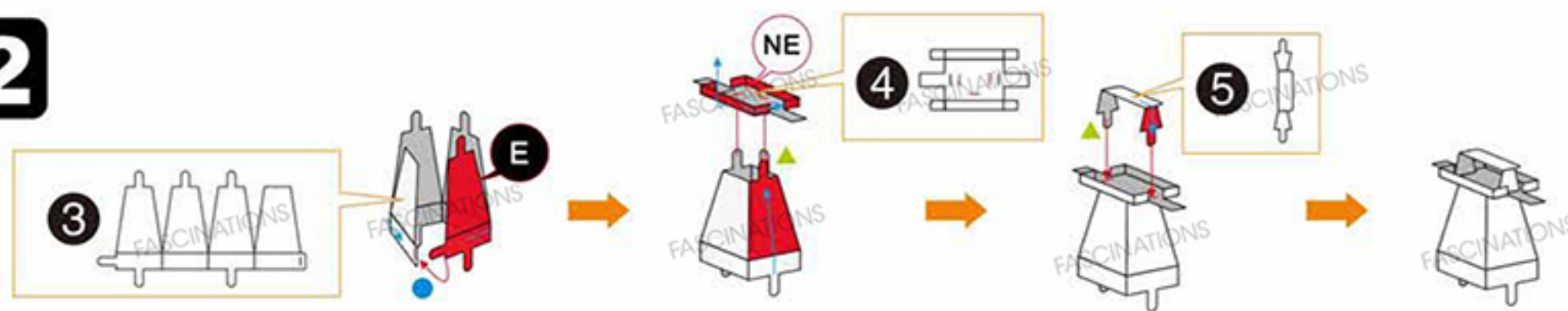


### ASSEMBLY STEPS

#### Step 1

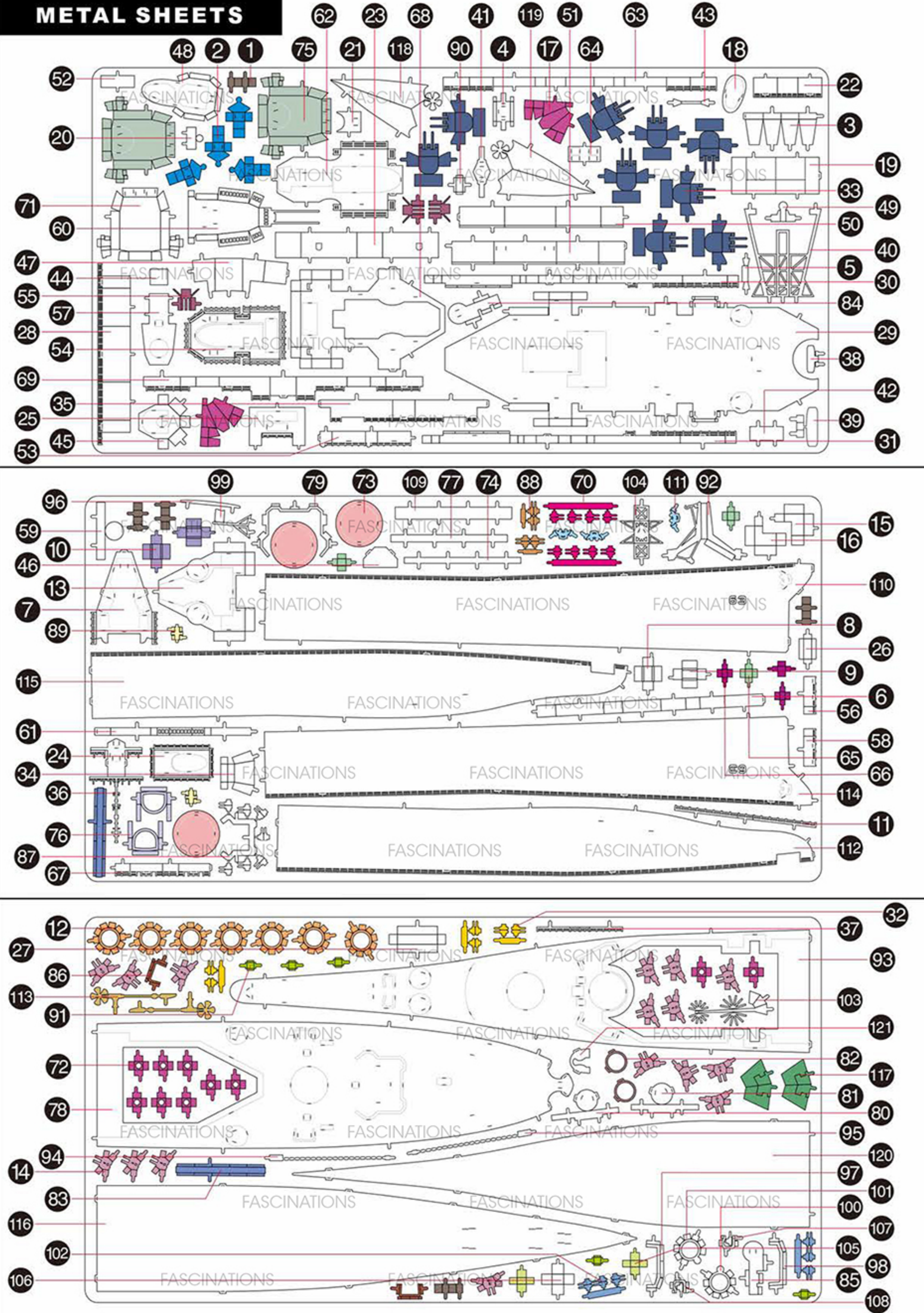


#### Step 2



In order to avoid possible injury from sharp edges, please carefully discard the metal sheets after parts have been removed.

### METAL SHEETS





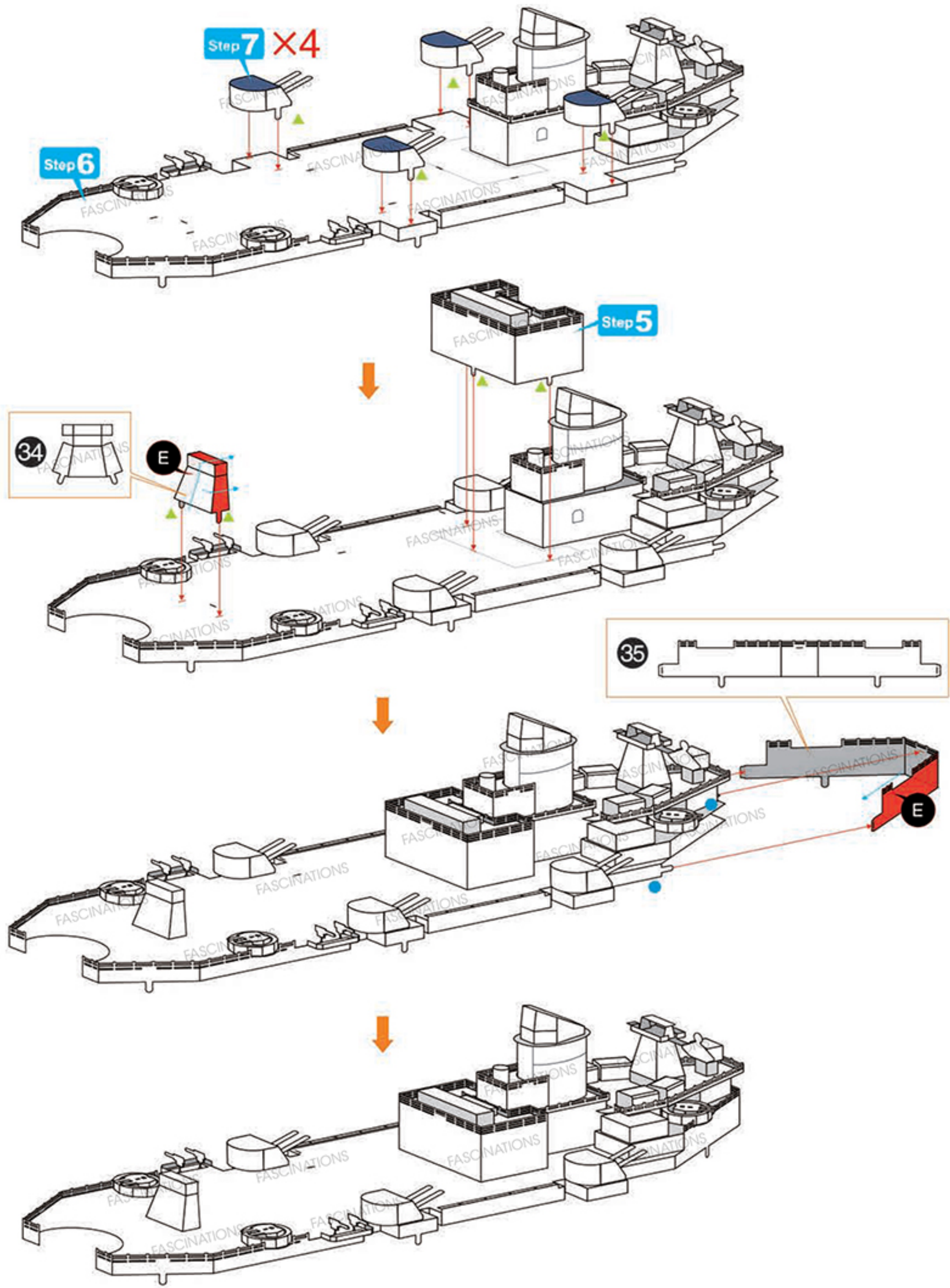




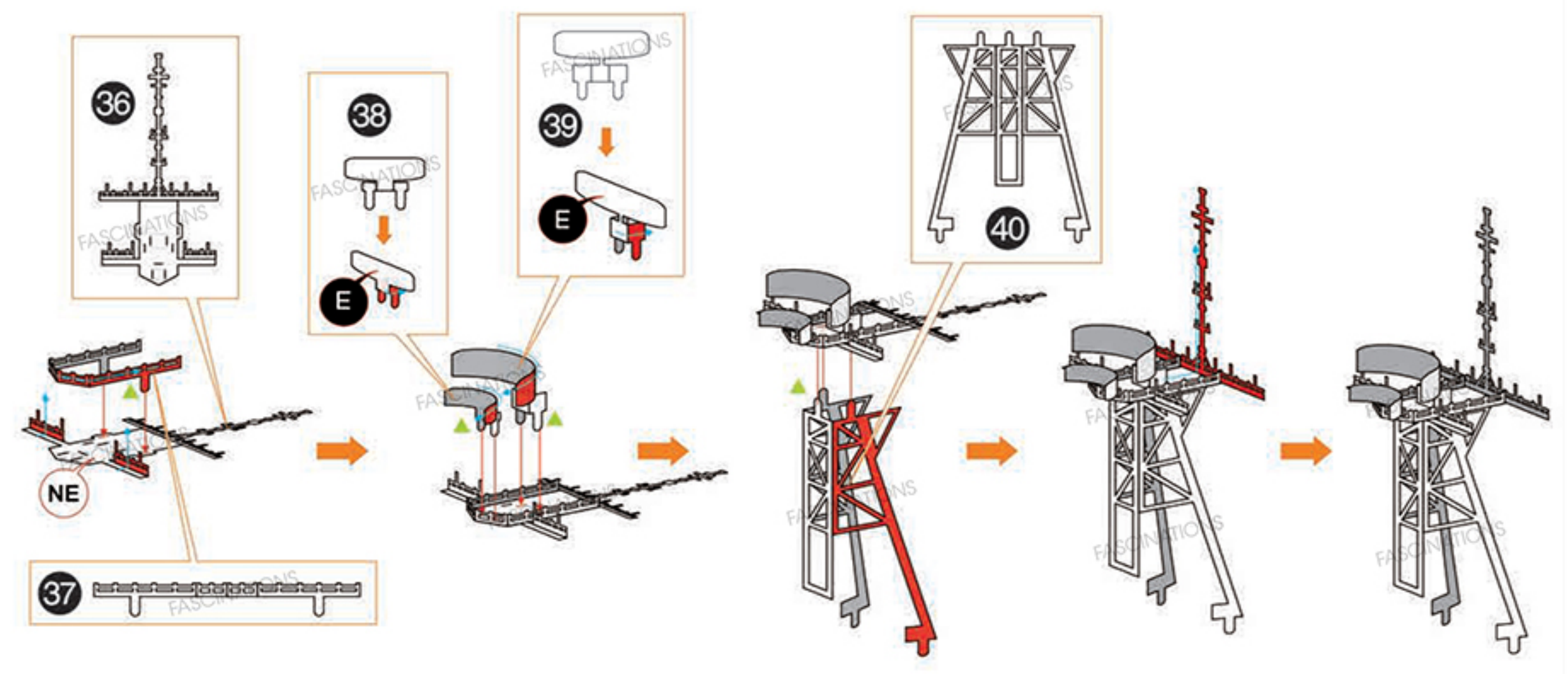
### Step 7



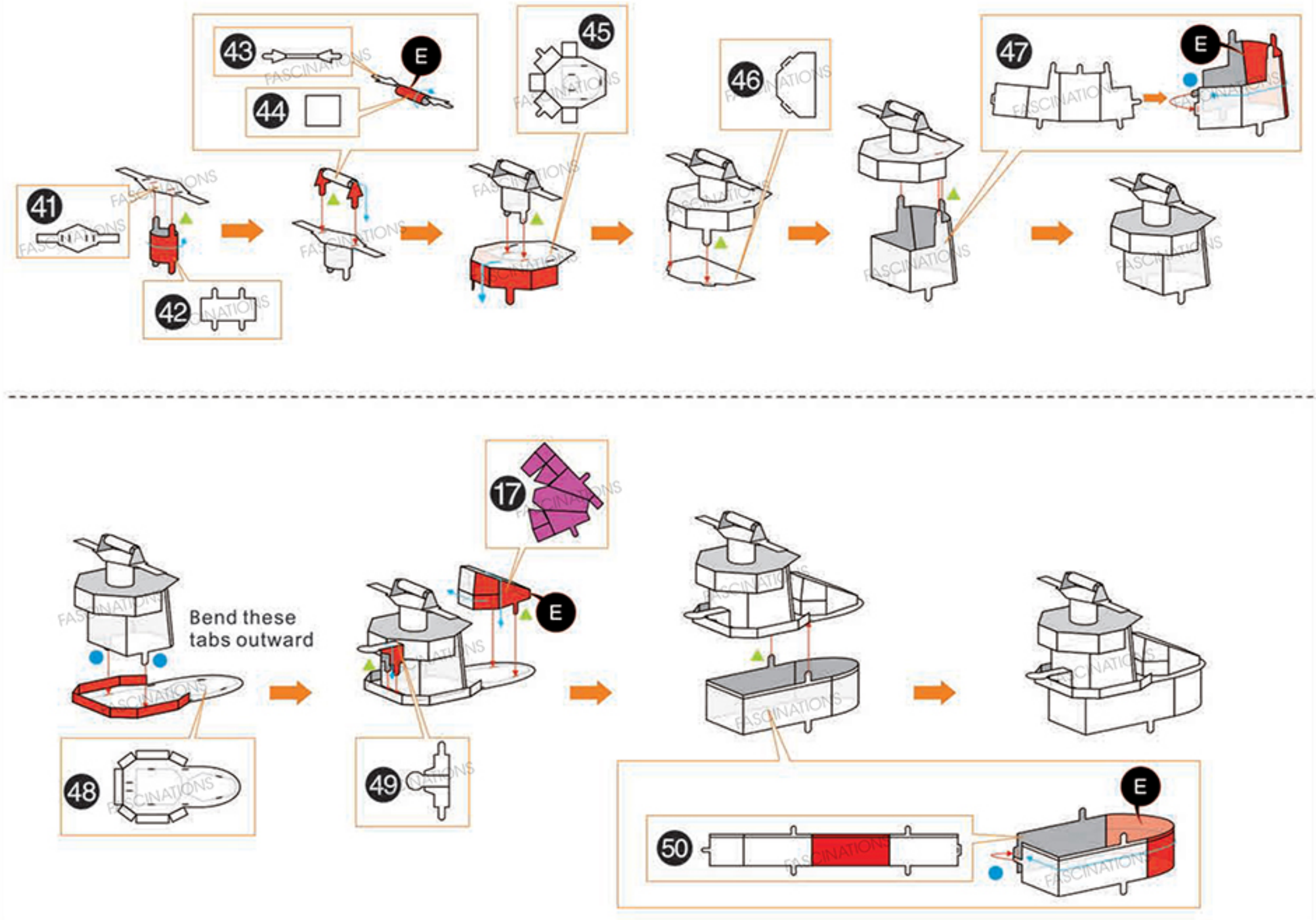
### Step 8



### Step 9

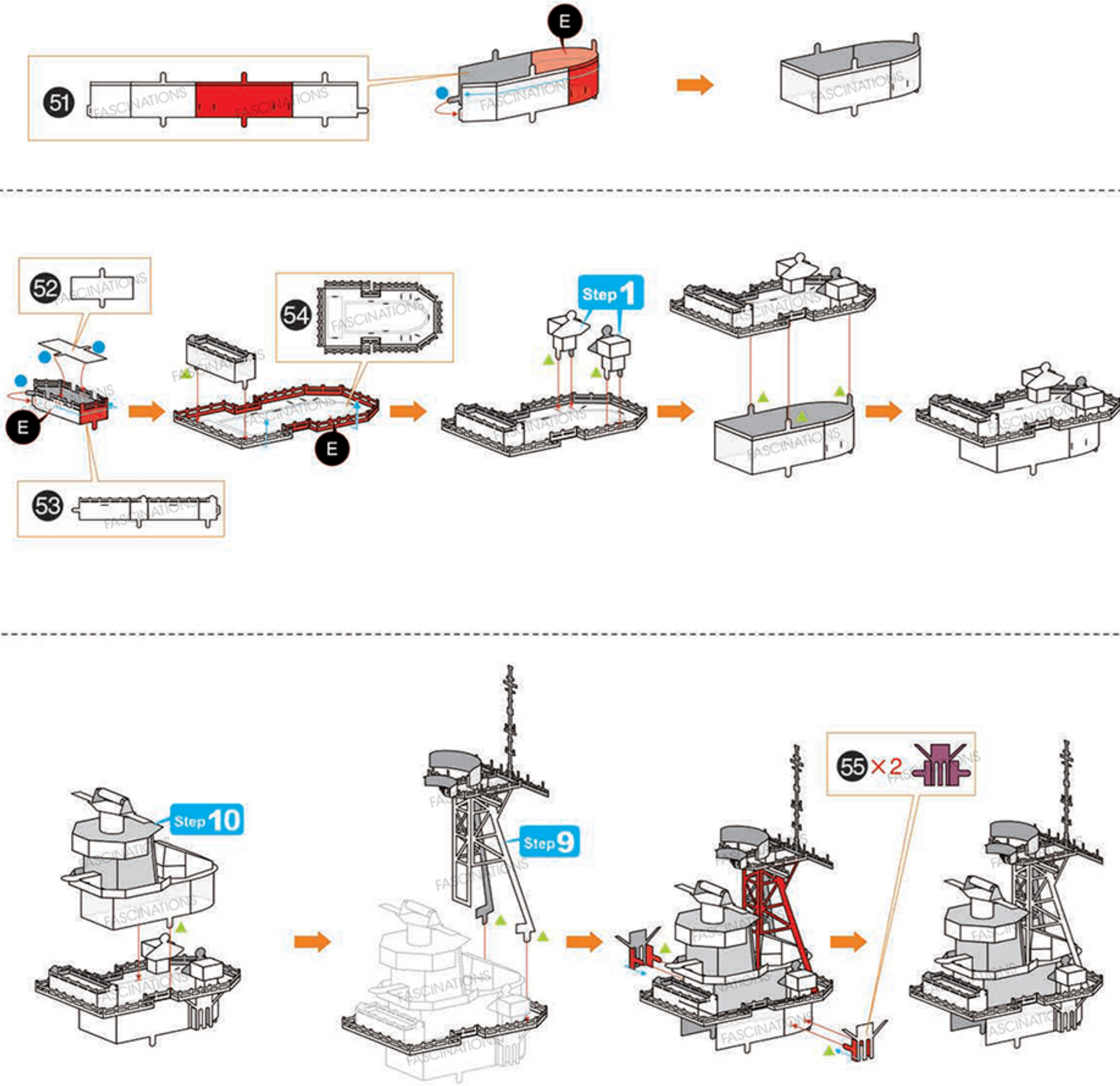


### Step 10

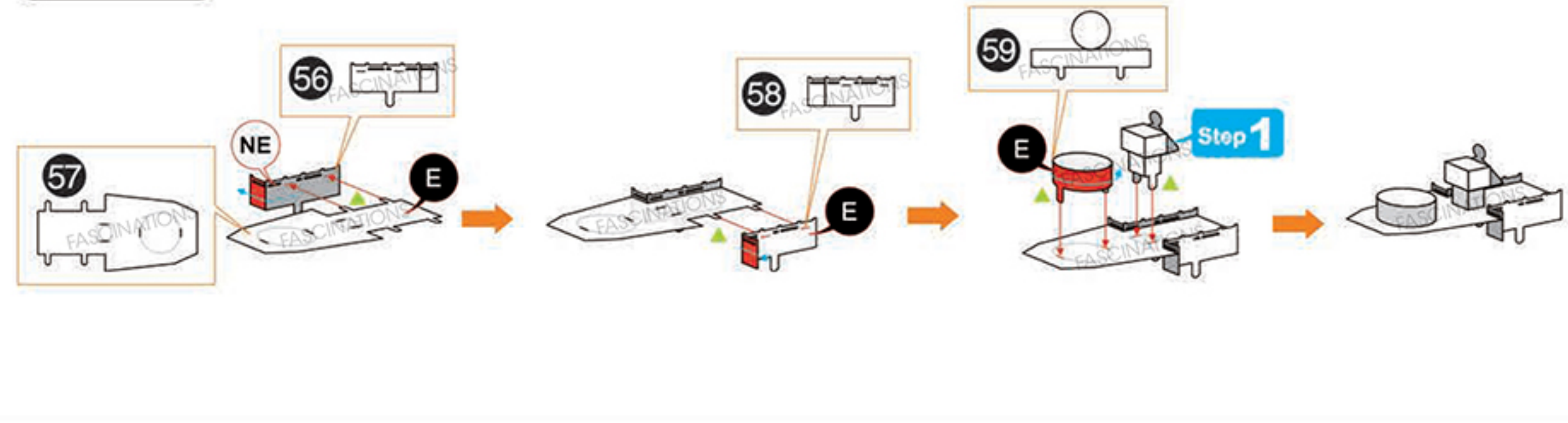




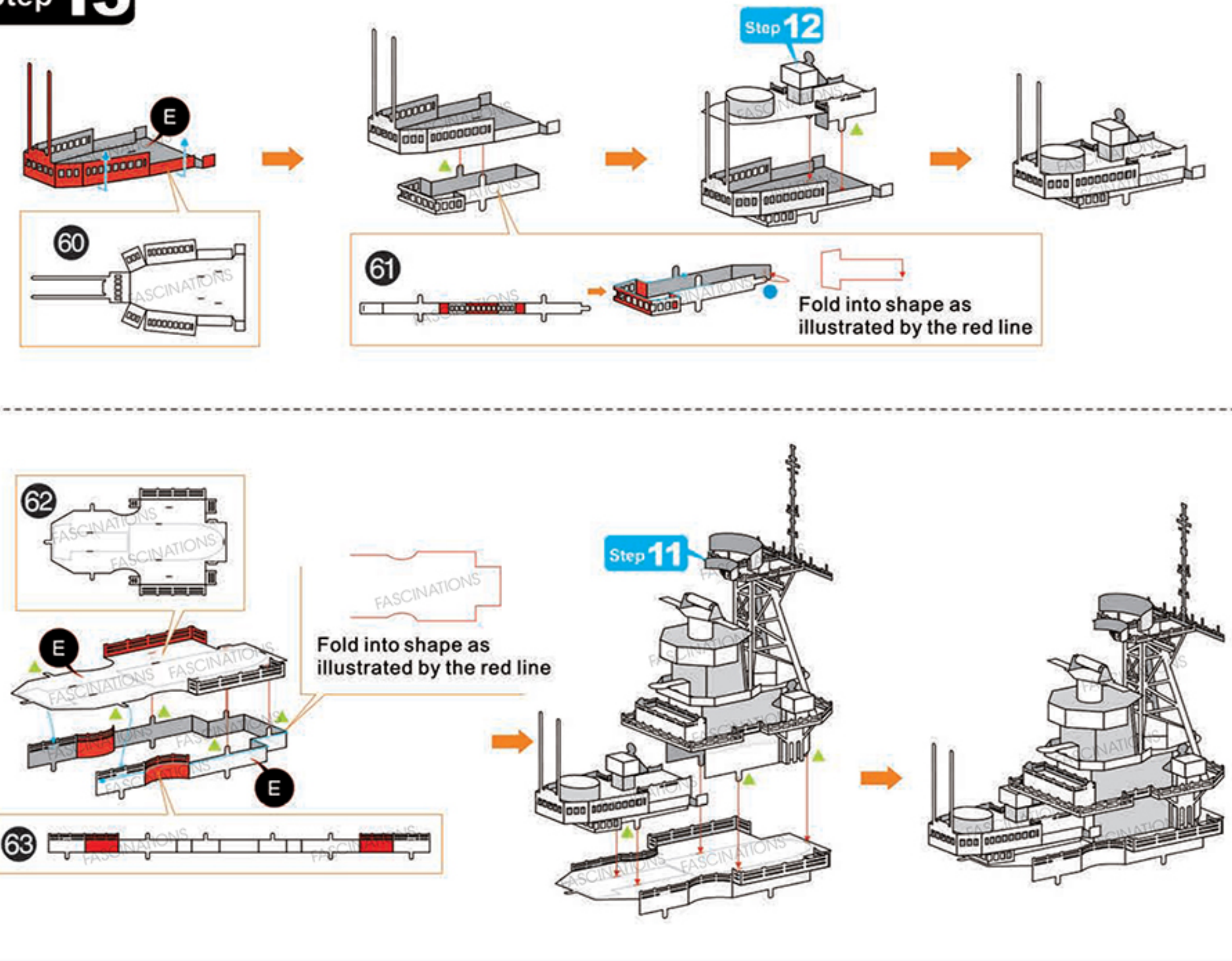
### Step 11



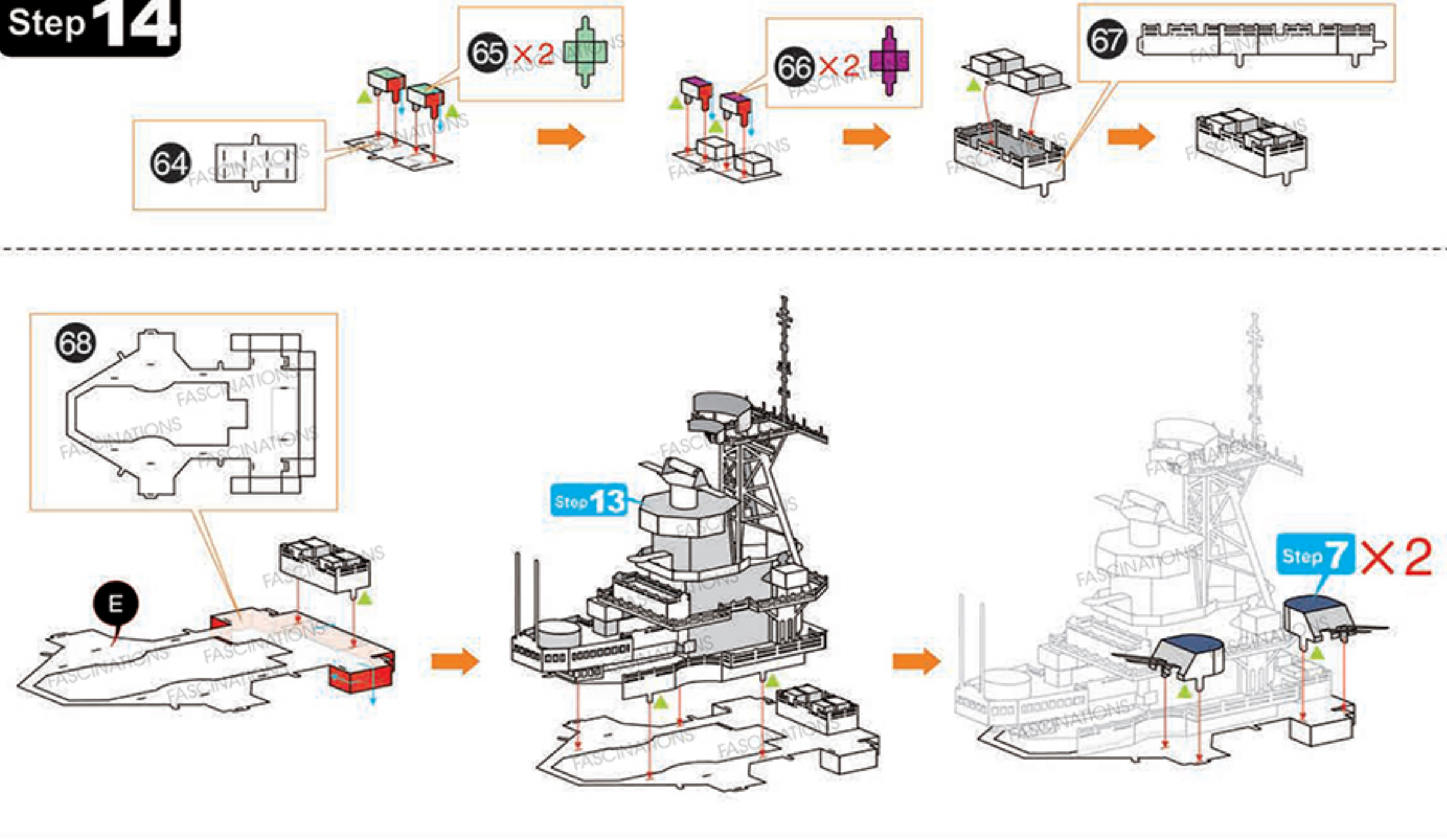
### Step 12



### Step 13

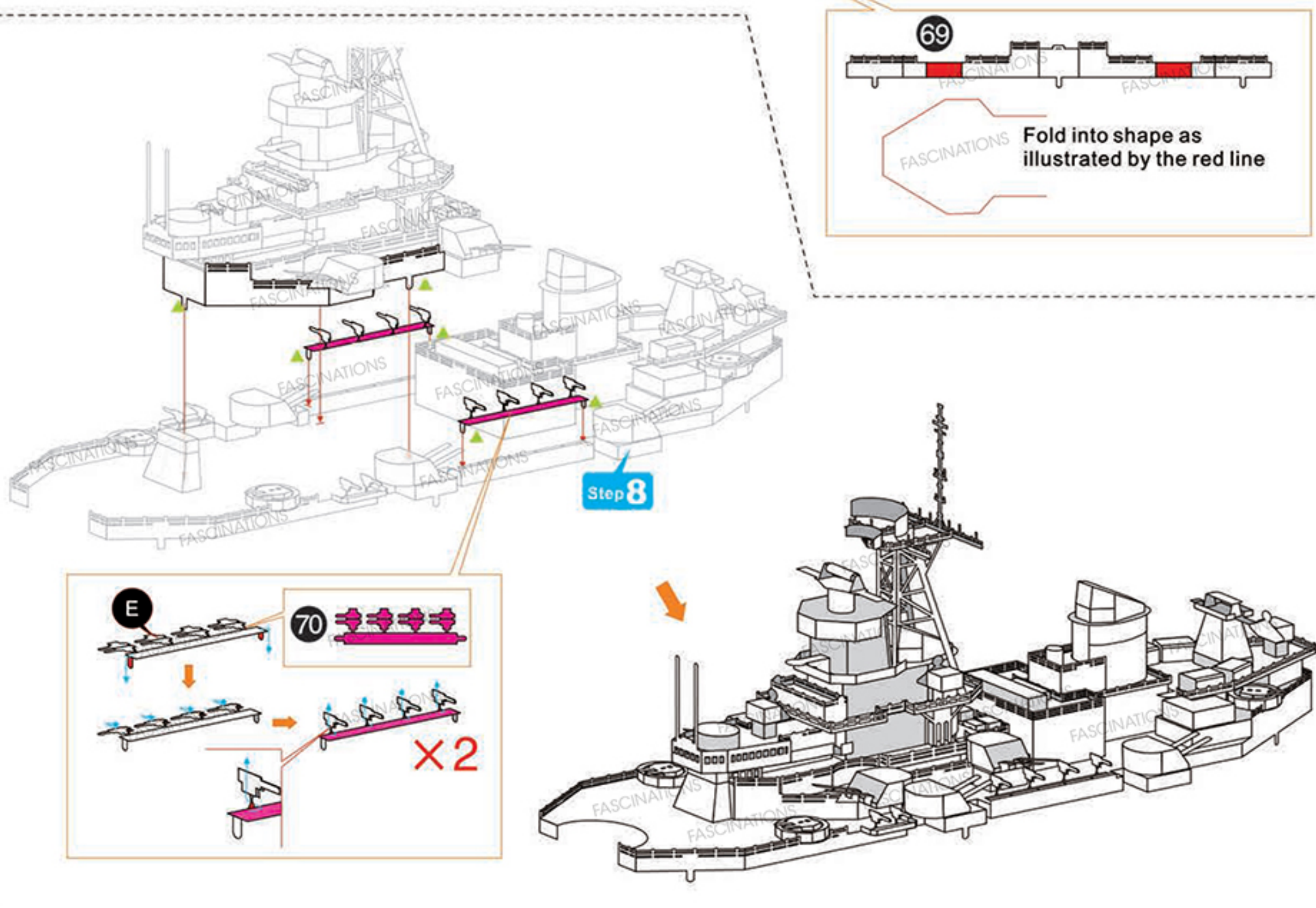
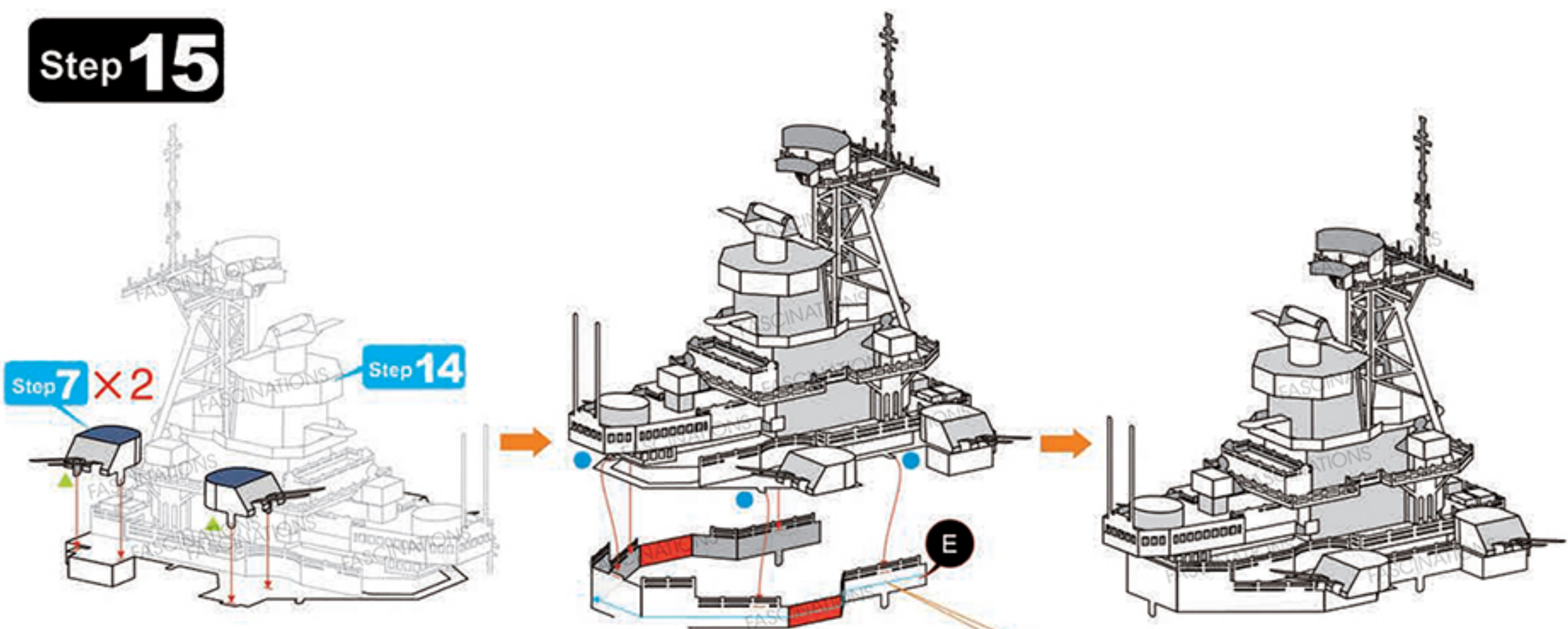


### Step 14

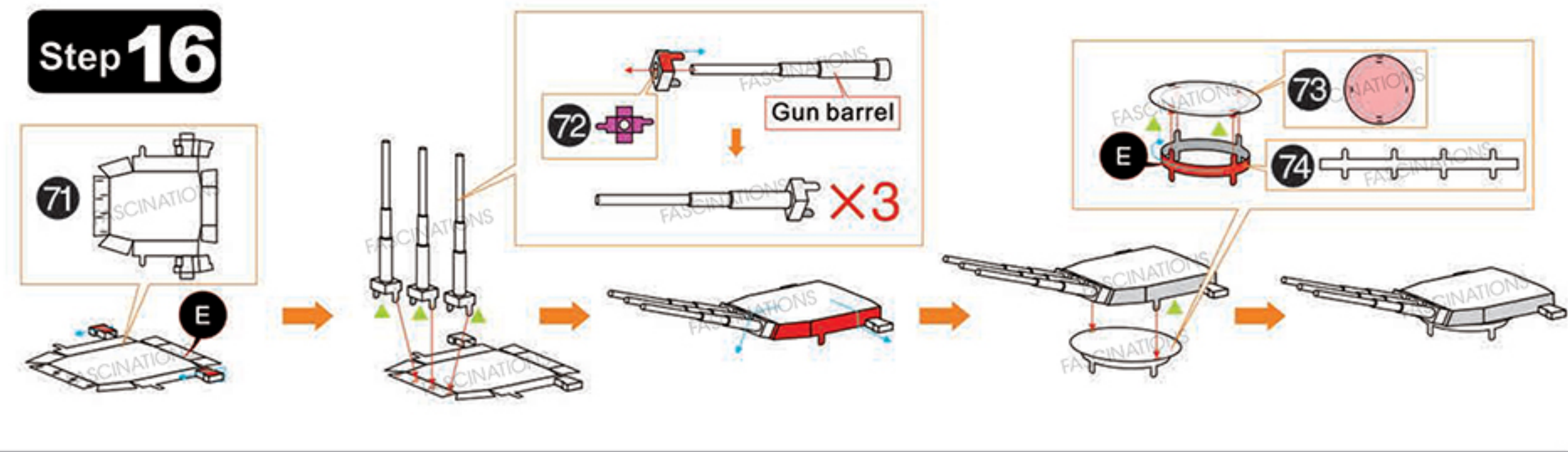




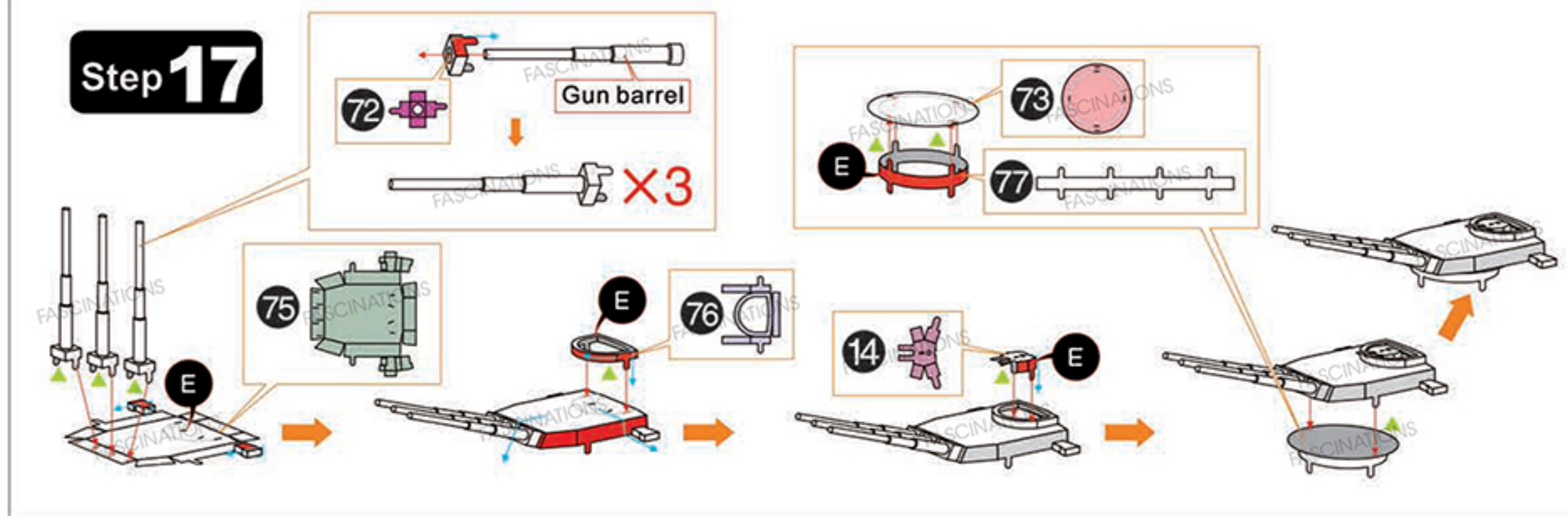
### Step 15



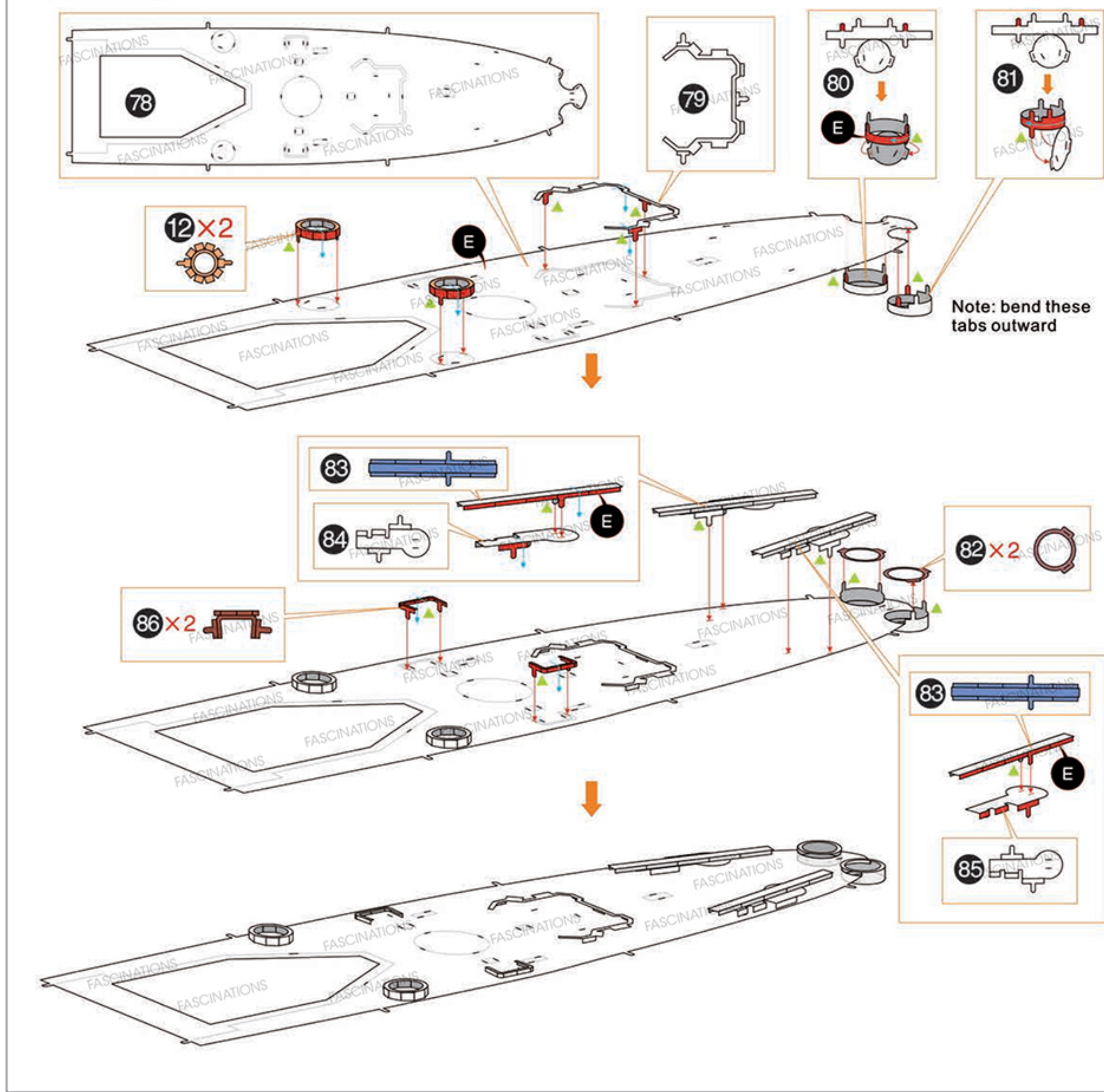
### Step 16



### Step 17

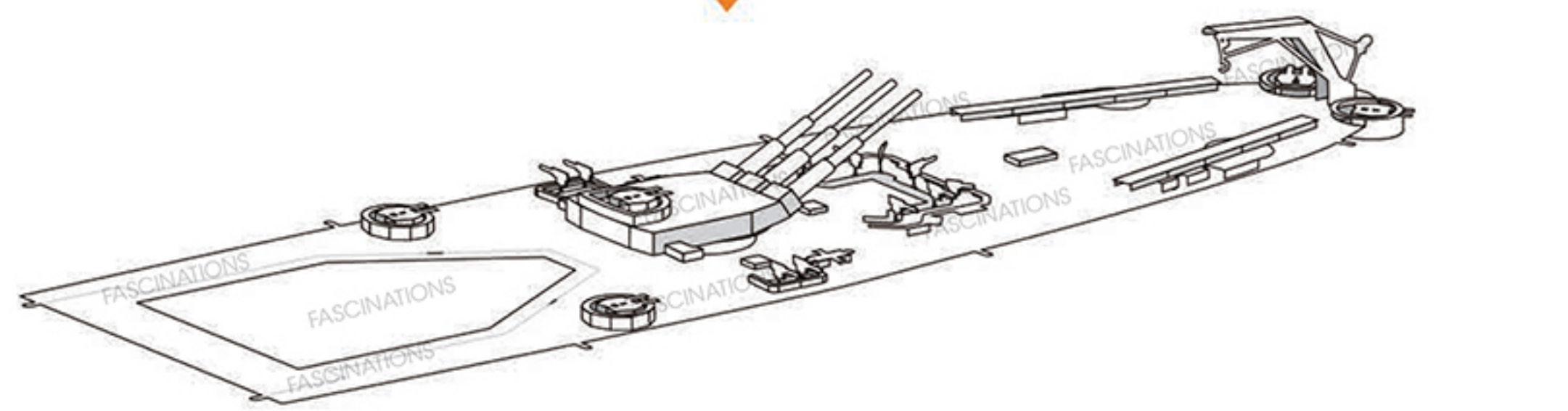
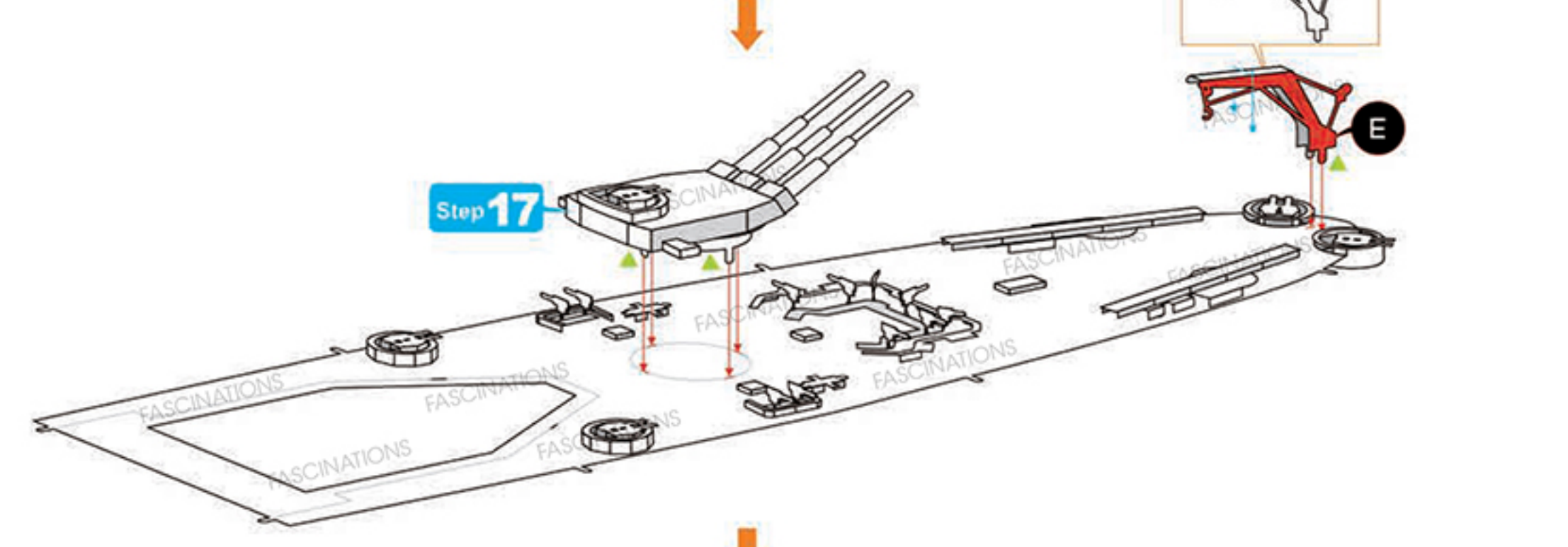
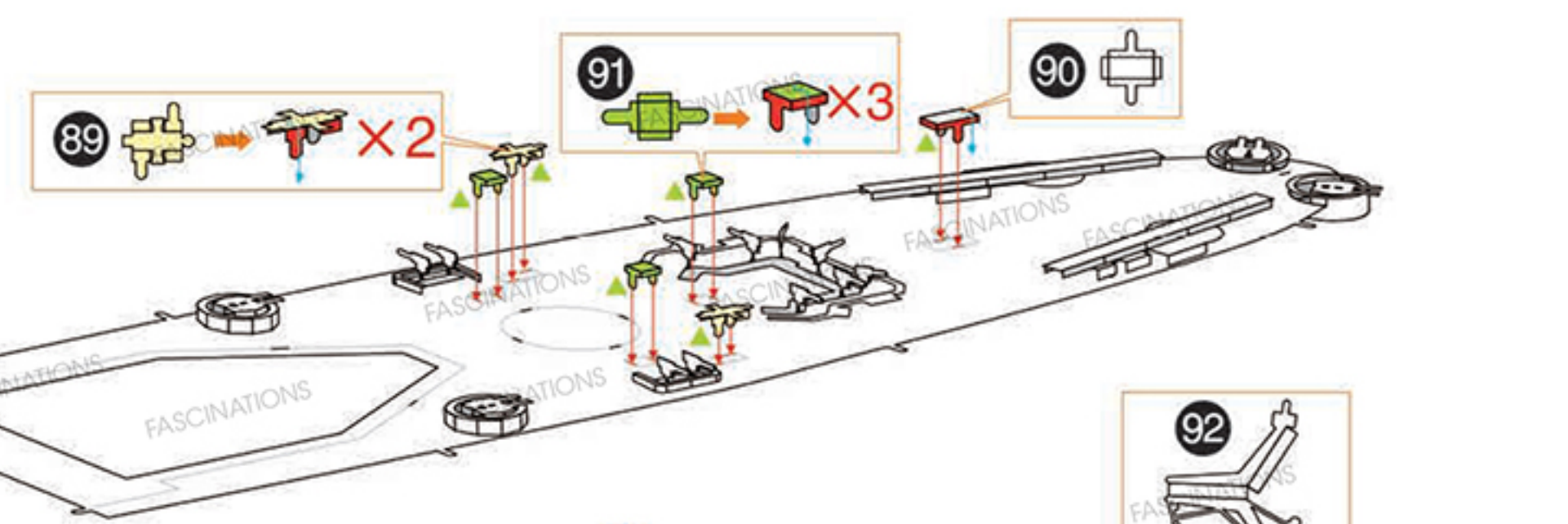
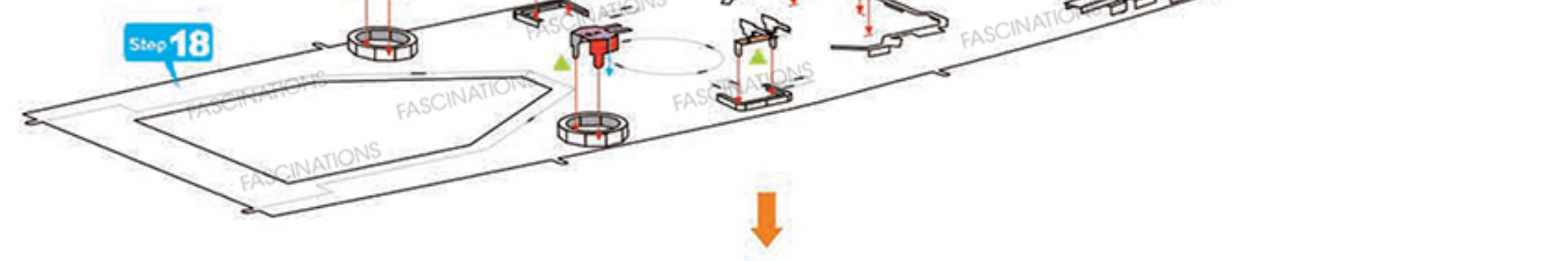


### Step 18

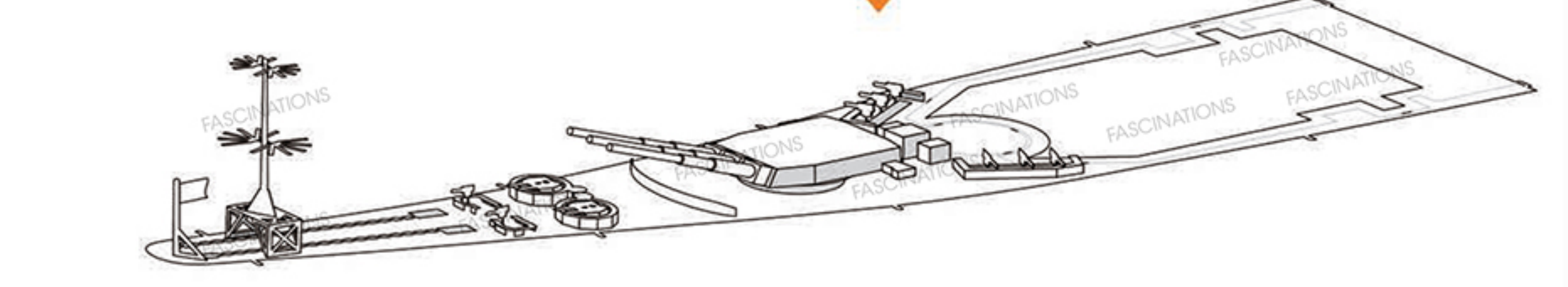
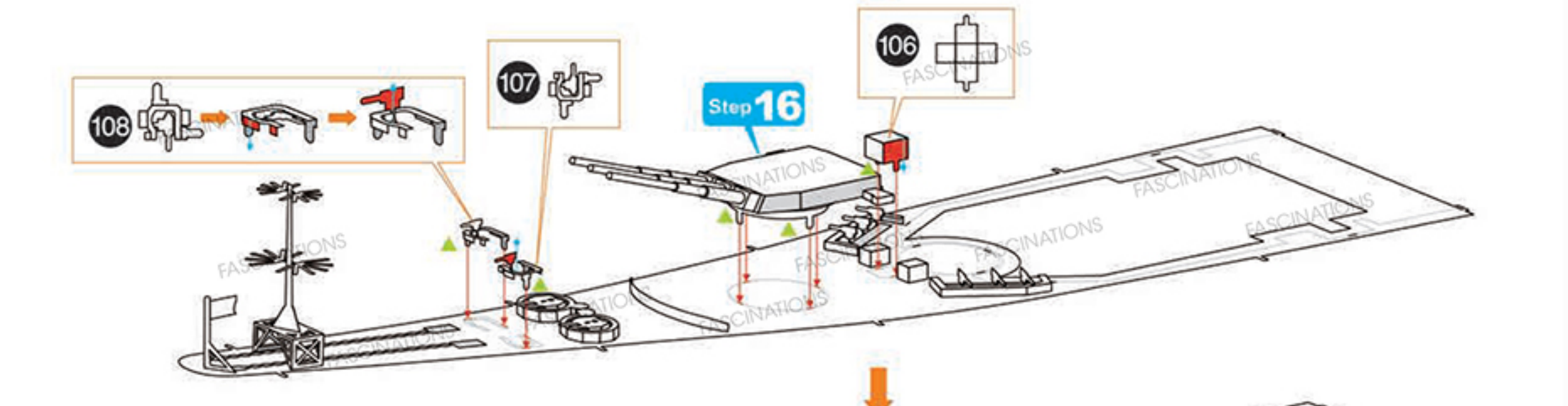
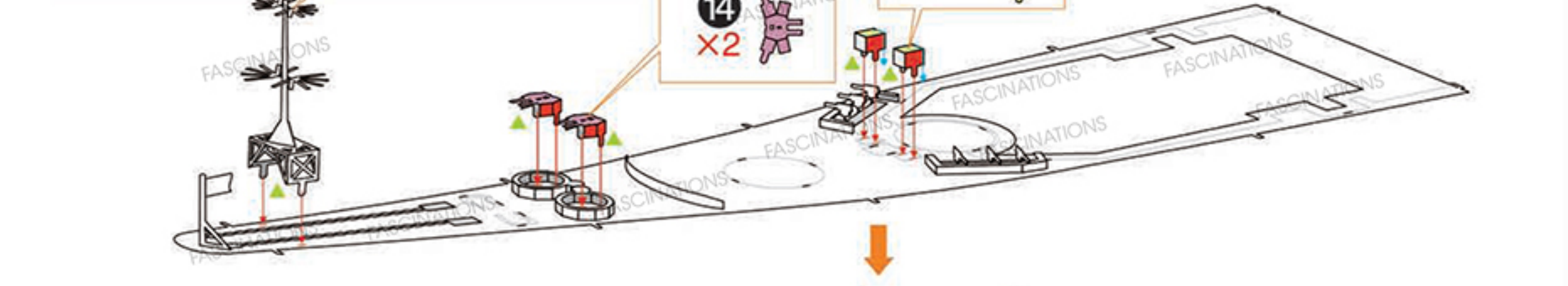
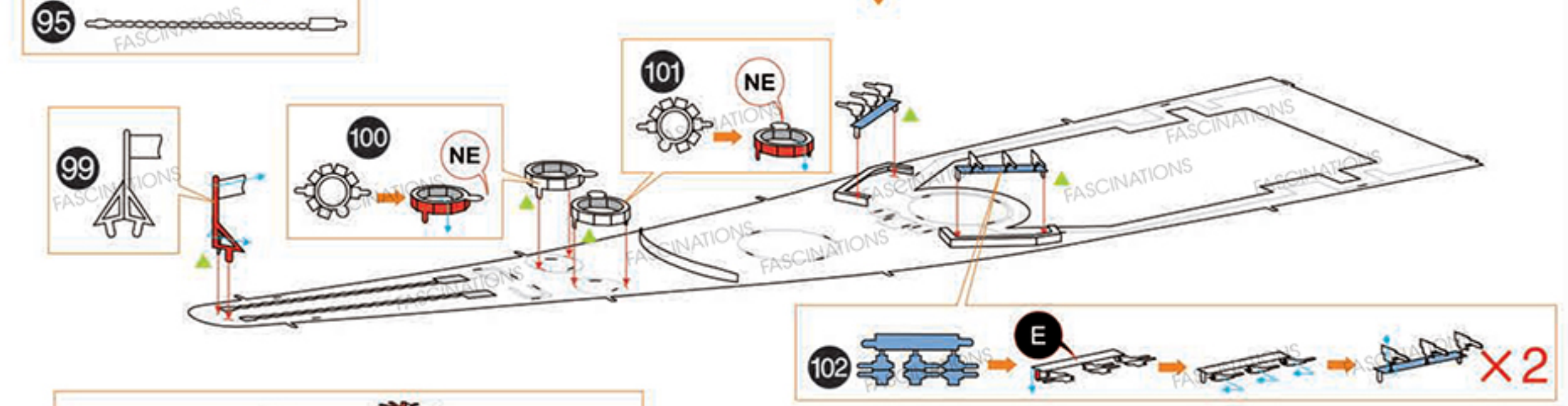
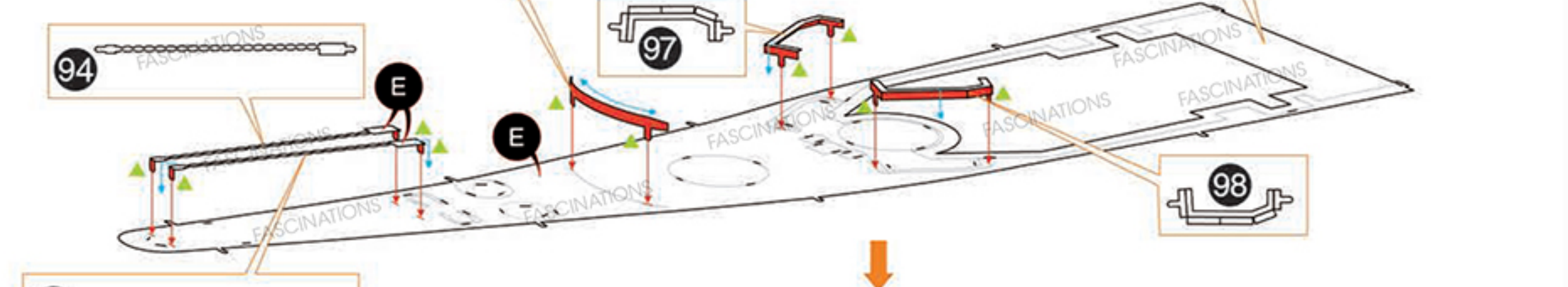
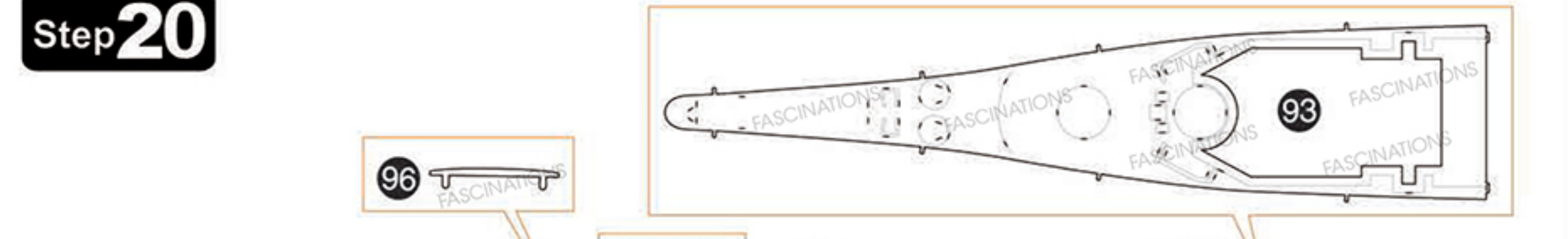




### Step 19

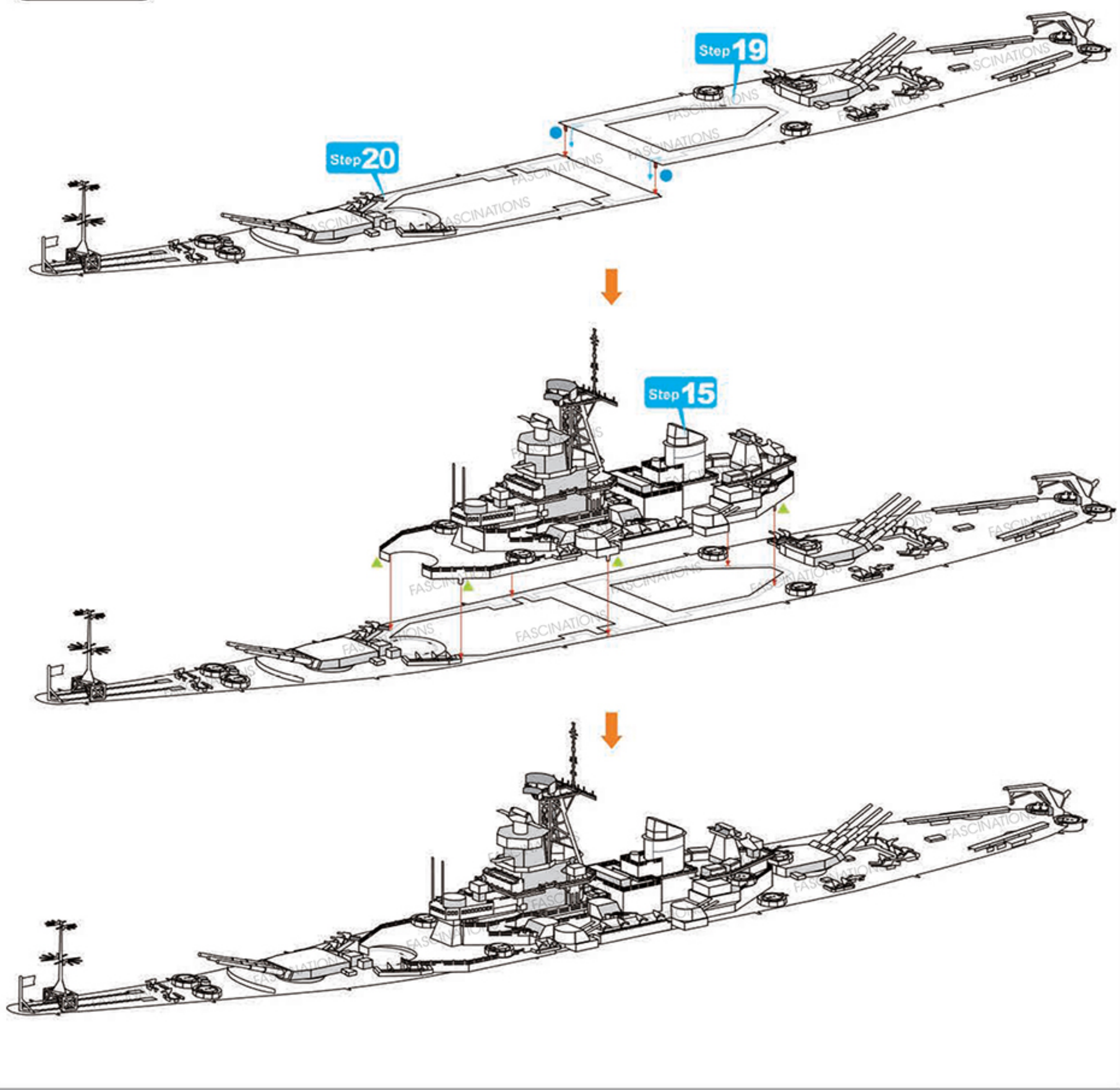


### Step 20

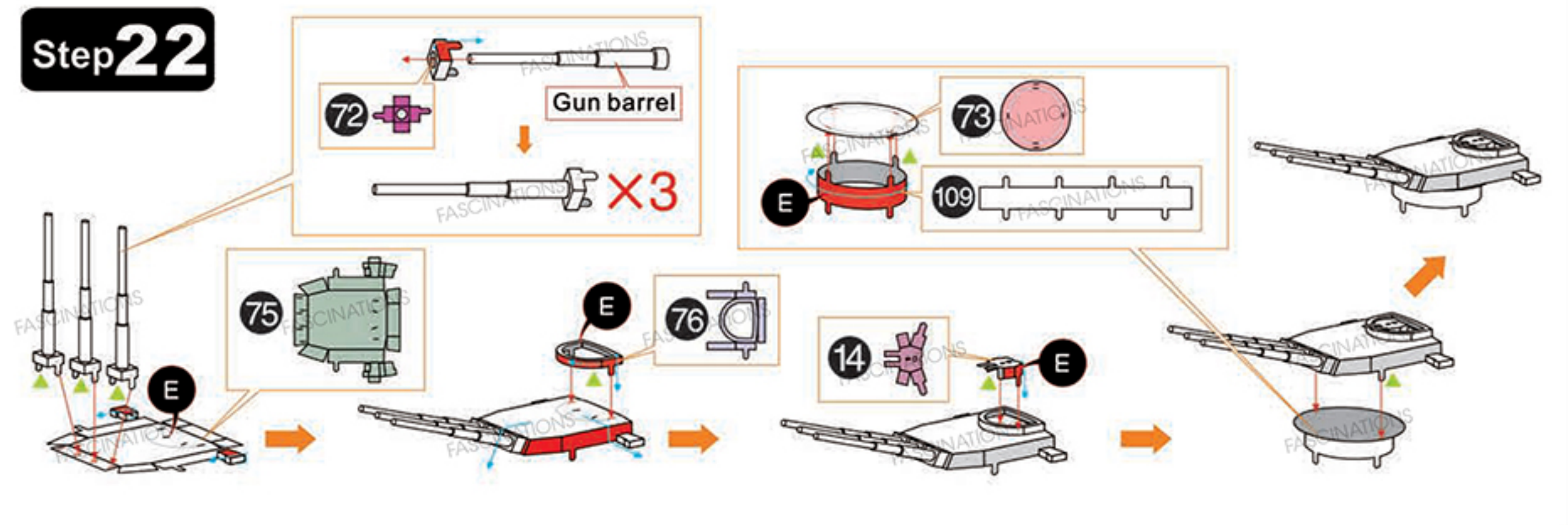




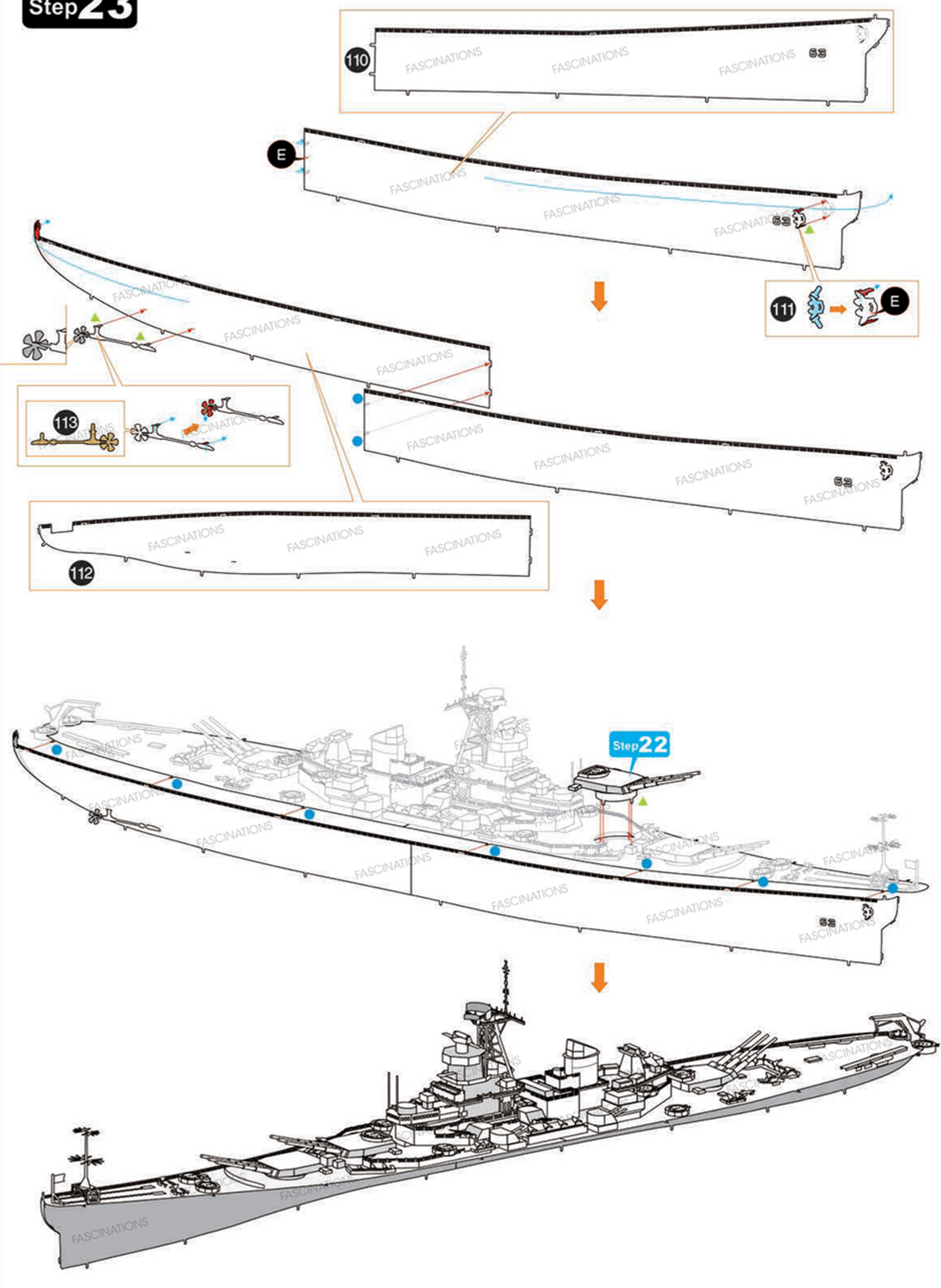
# Step21



# Step22

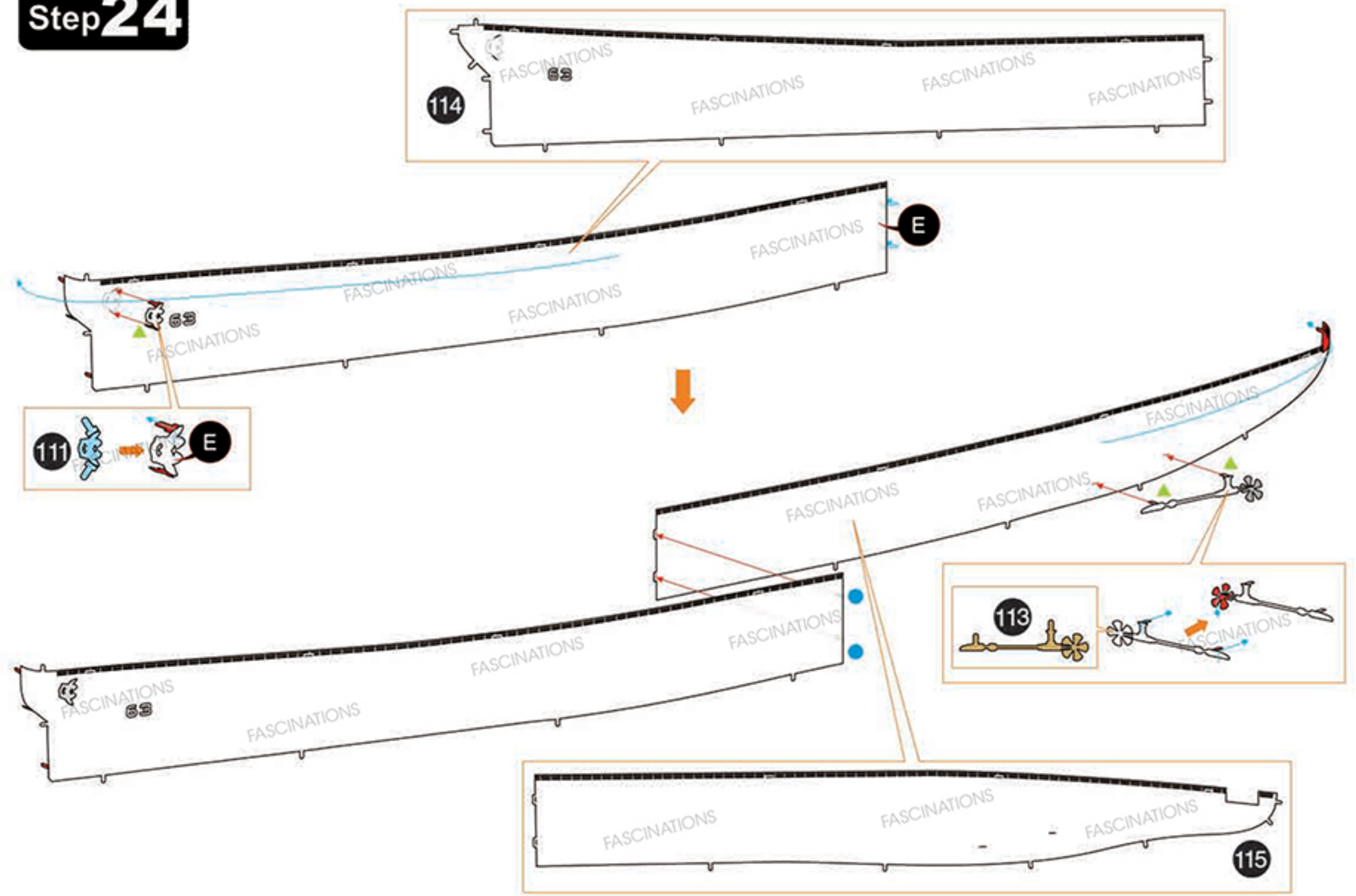


# Step23



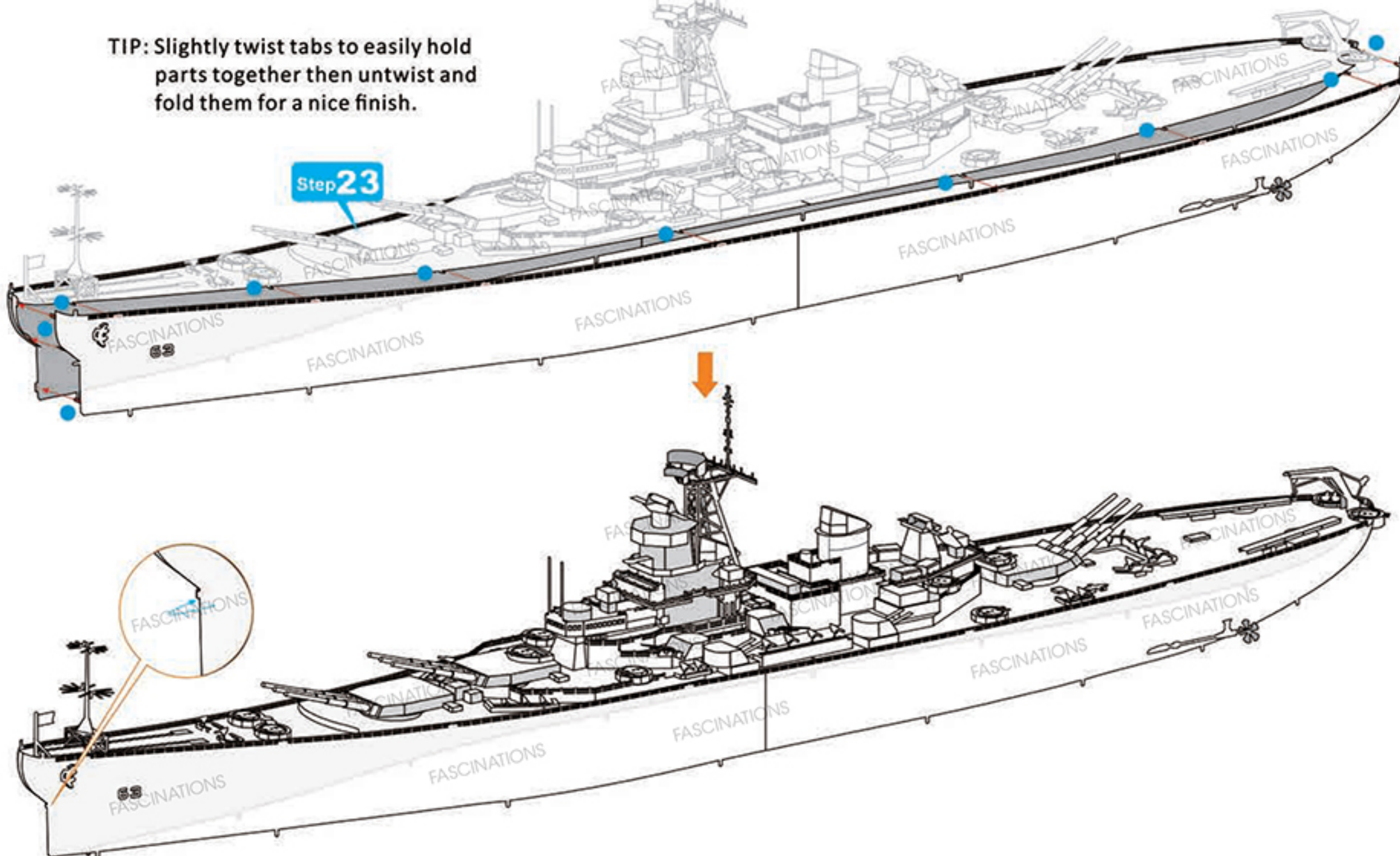


# Step24

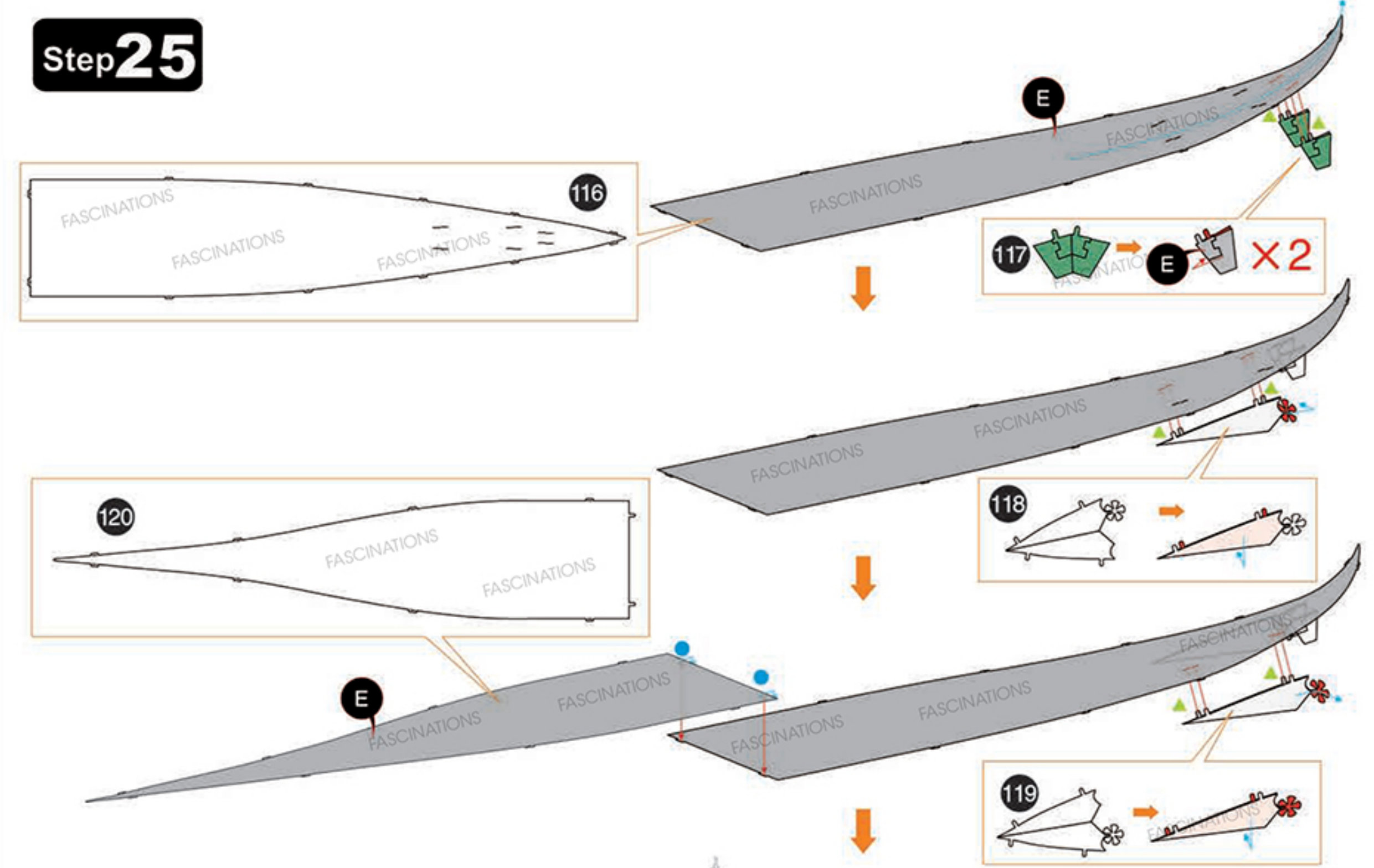


TIP: Slightly twist tabs to easily hold parts together then untwist and fold them for a nice finish.

## Step23



# Step25



TIP: Slightly twist tabs to easily hold parts together then untwist and fold them for a nice finish.

## 121

## Step24

