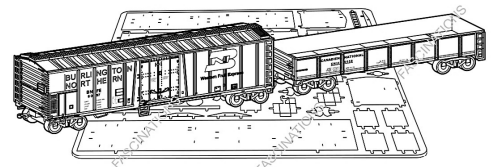


Metal Earth

3D METAL MODEL KITS



Box Car And Hopper Car
Item No. MMG104



It is highly recommended that you visit www.metalearth.com/360/mmg104 to see the completed model before assembling your own

Legends:

- Engraved side
- Non-engraved side
- Attention point
- Insert tab and bend 90 degrees
- Insert tab and twist 90 degrees

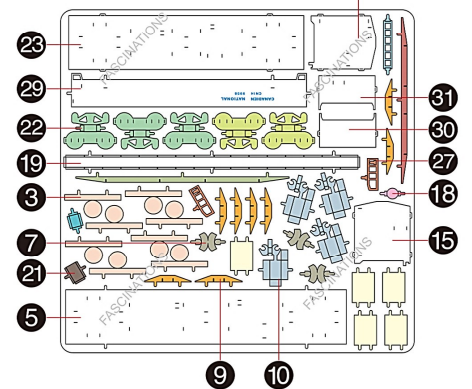
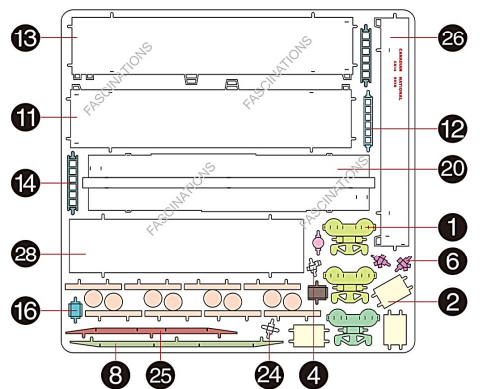
Recommended tools:

- Wire cutters: helpful for taking parts from the metal sheets.
- Tweezers or needle nose pliers: helpful for folding parts, bending and twisting tabs.

Assembly tip:

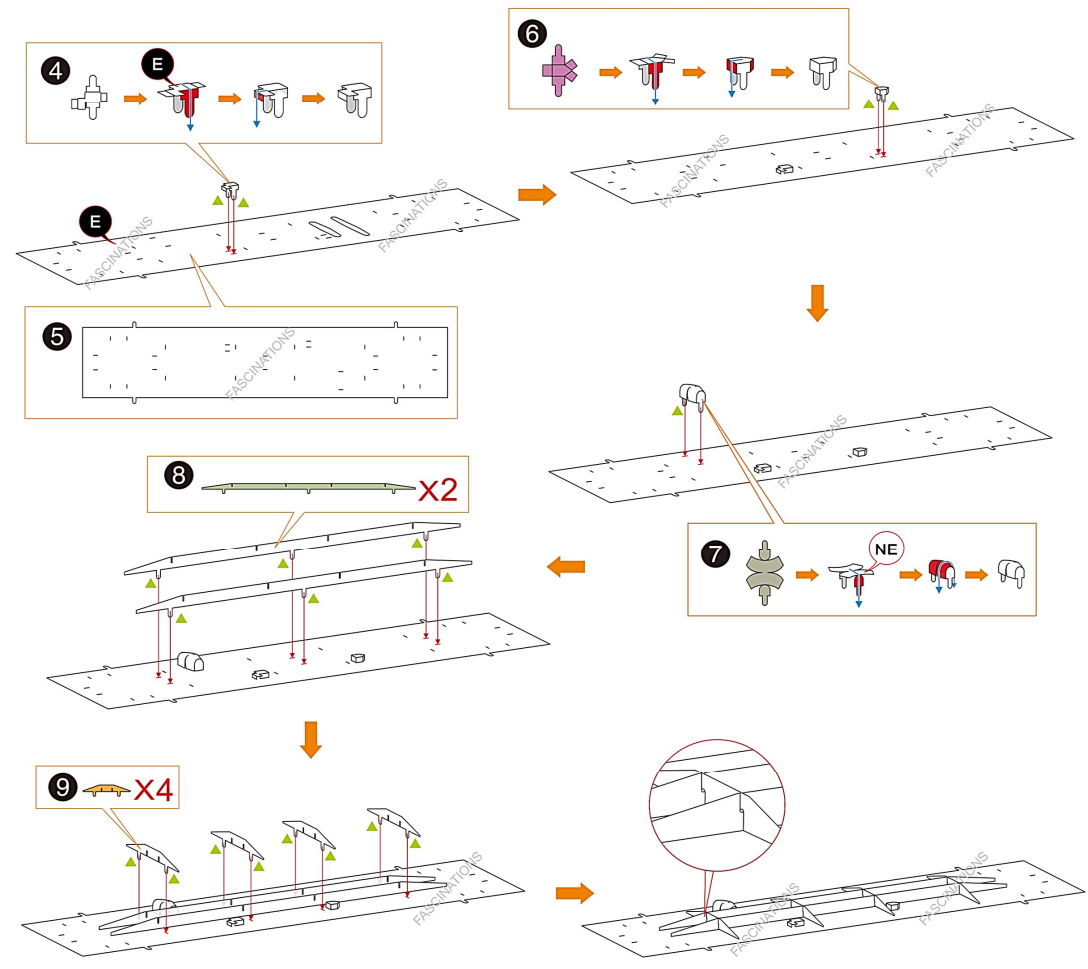
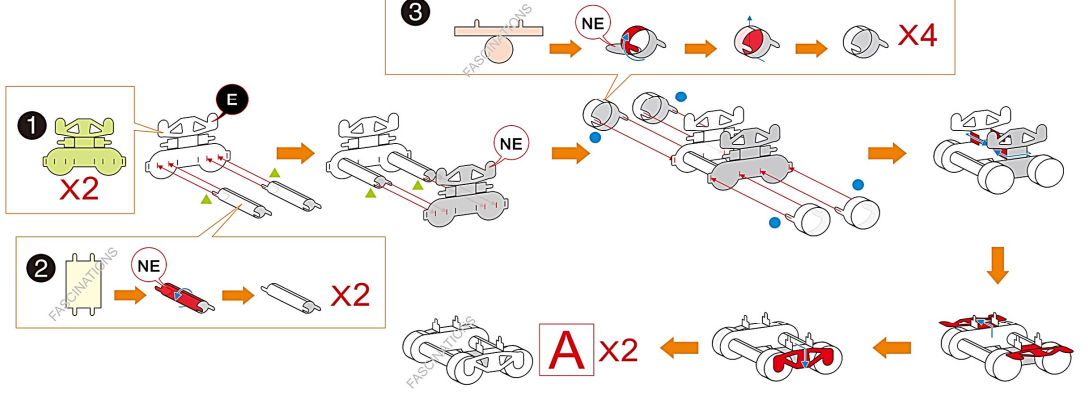
If needed, slightly twist tabs to hold parts together then untwist and bend them down for a nice finish

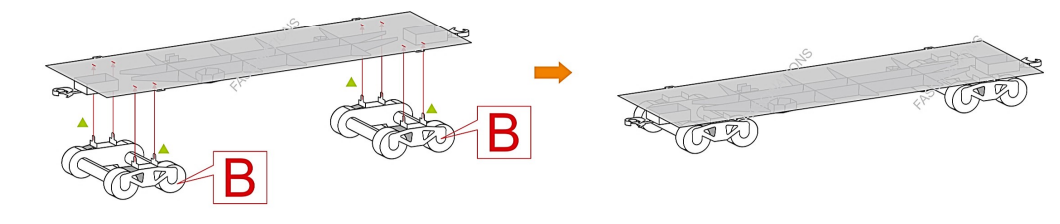
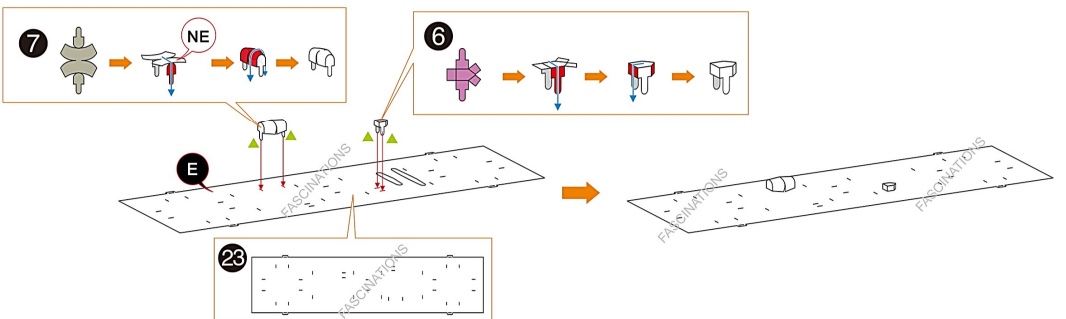
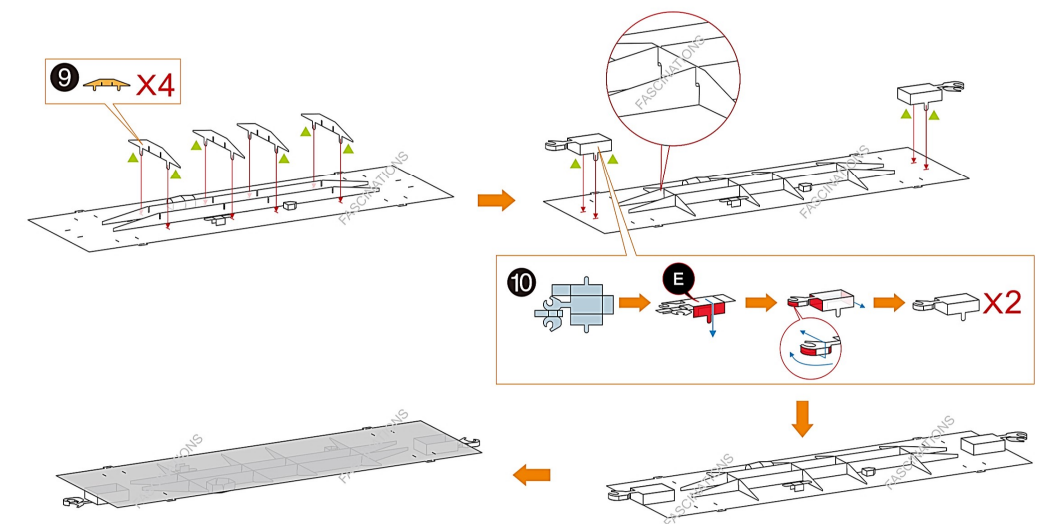
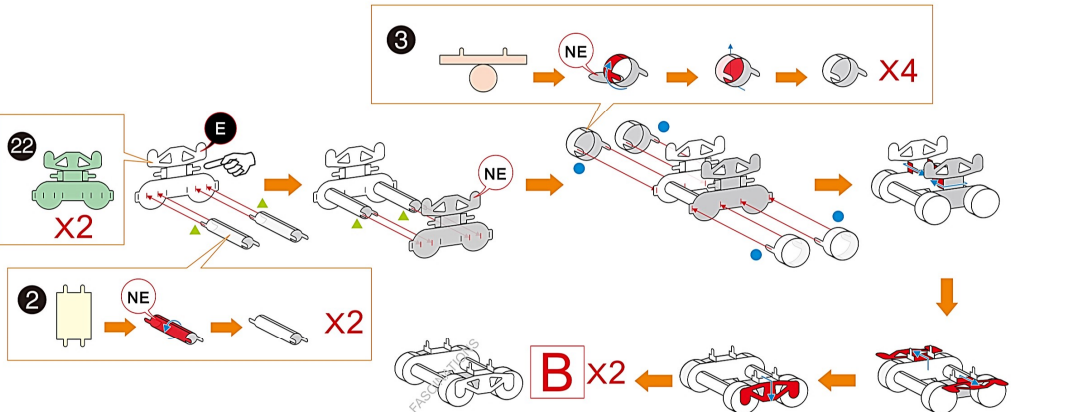
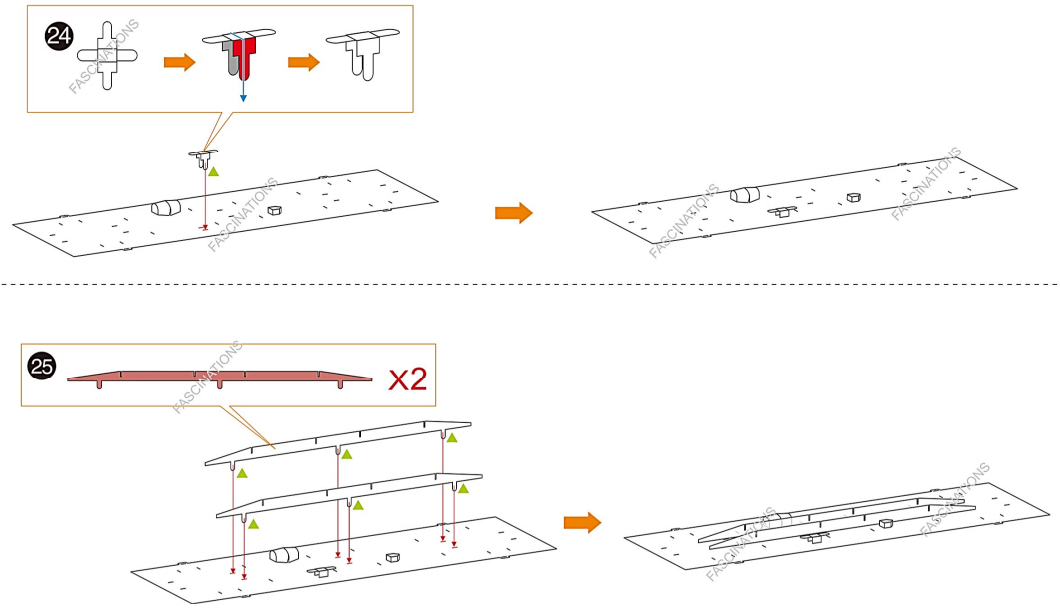
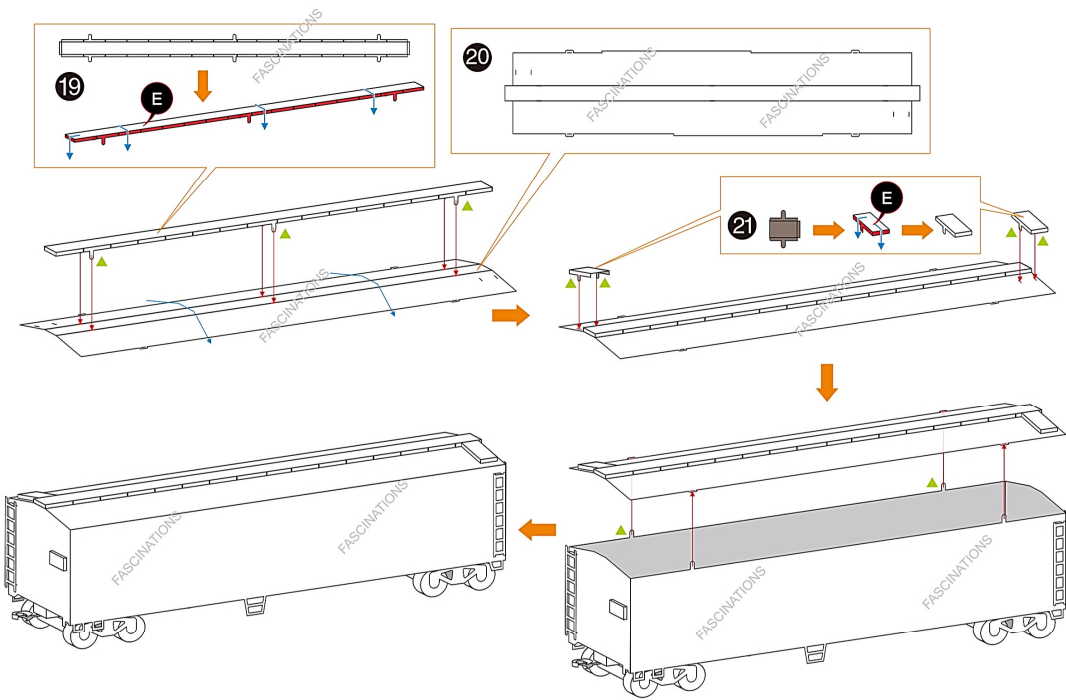
Metal sheets

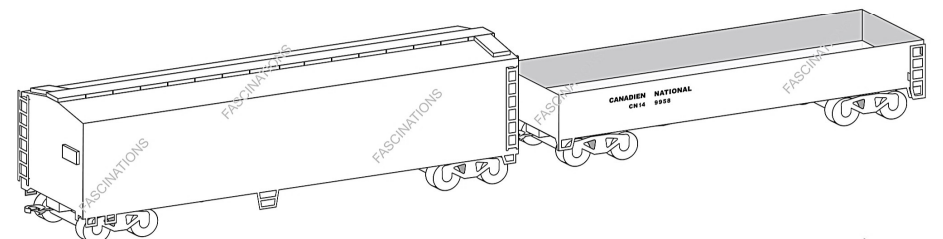
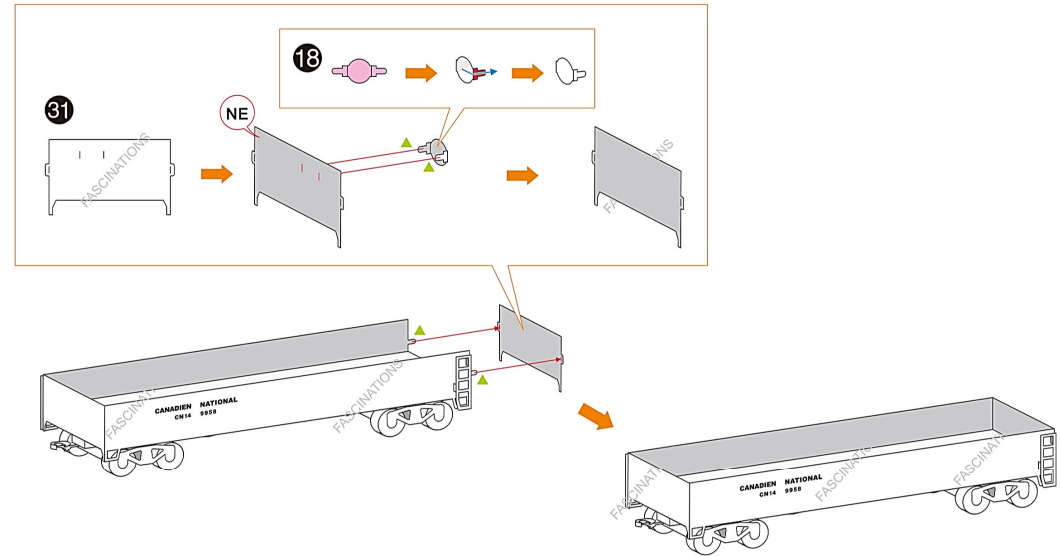
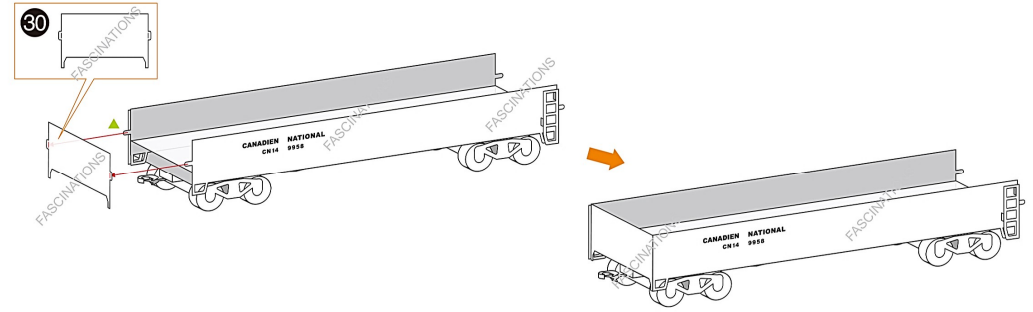
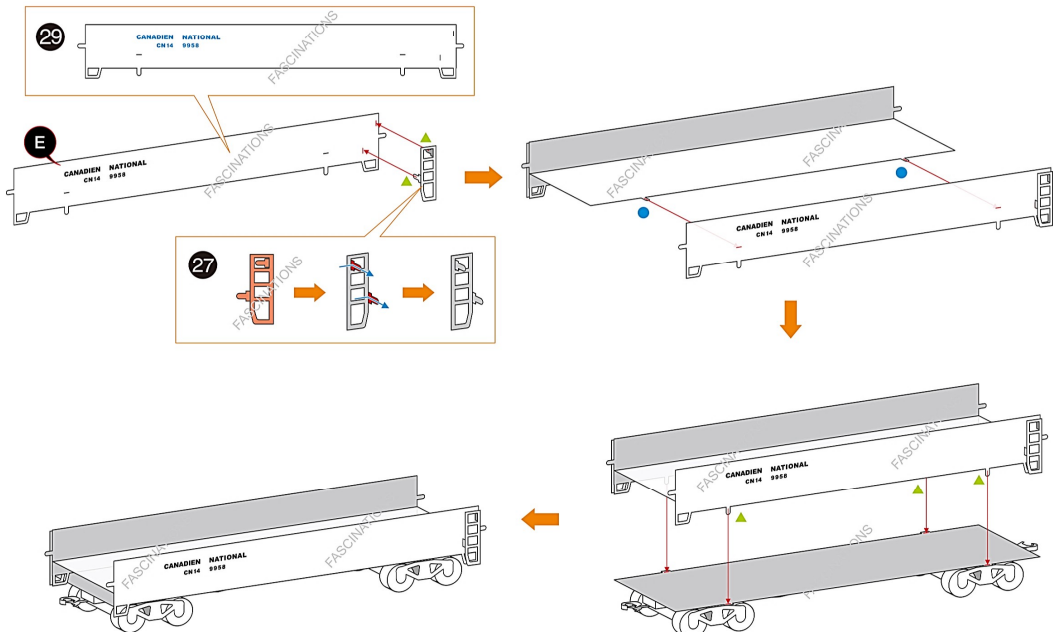
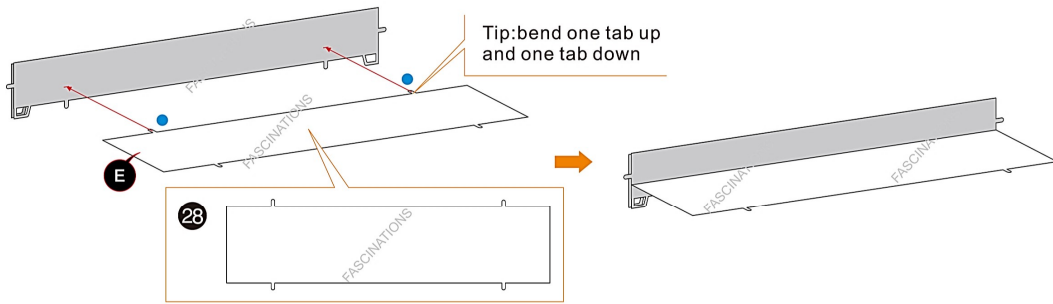
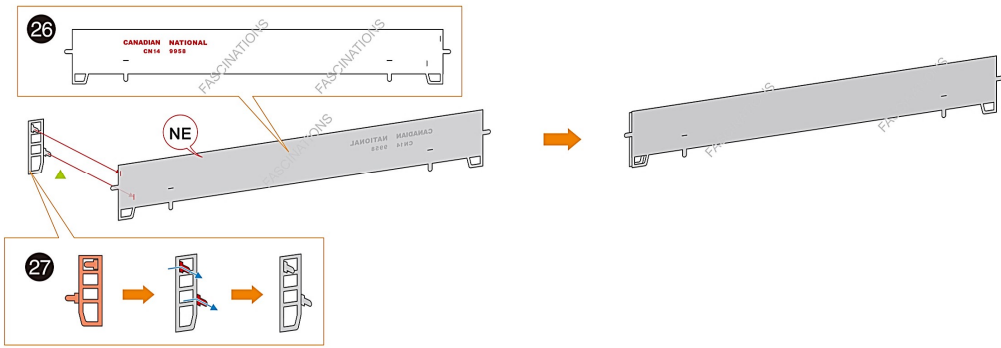


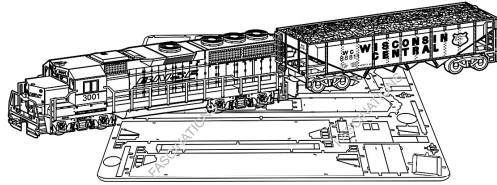
In order to avoid possible injury from sharp edges, please carefully discard the metal sheet after parts have been removed

Assembly Flow Chart









Diesel Locomotive And Gondola Car
Item No. MMG104



It is highly recommended that you visit www.metalearth.com/360/mmg104 to see the completed model before assembling your own

Legends:

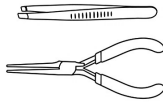
- Engraved side
- Non-engraved side
- Attention point
- Insert tab and bend 90 degrees
- Insert tab and twist 90 degrees

Recommended tools:

-Wire cutters: helpful for taking parts from the metal sheets.

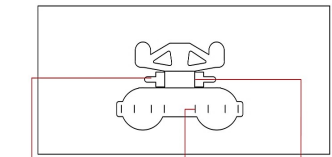


-Tweezers or needle nose pliers: helpful for folding parts, bending and twisting tabs.



Assembly tip:

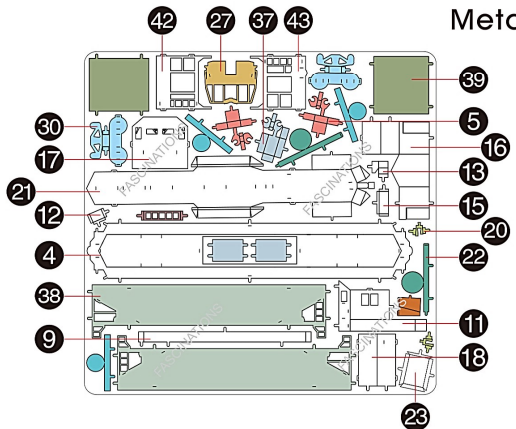
If needed, slightly twist tabs to hold parts together then untwist and bend them down for a nice finish



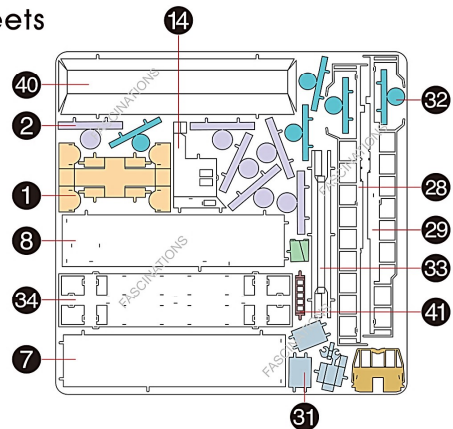
Insertion tabs are inserted and then folded

Insertion holes

Fold lines can be seen as shown here

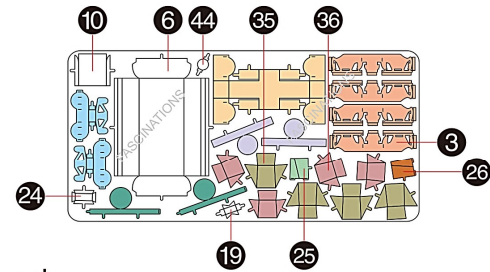


Metal sheets

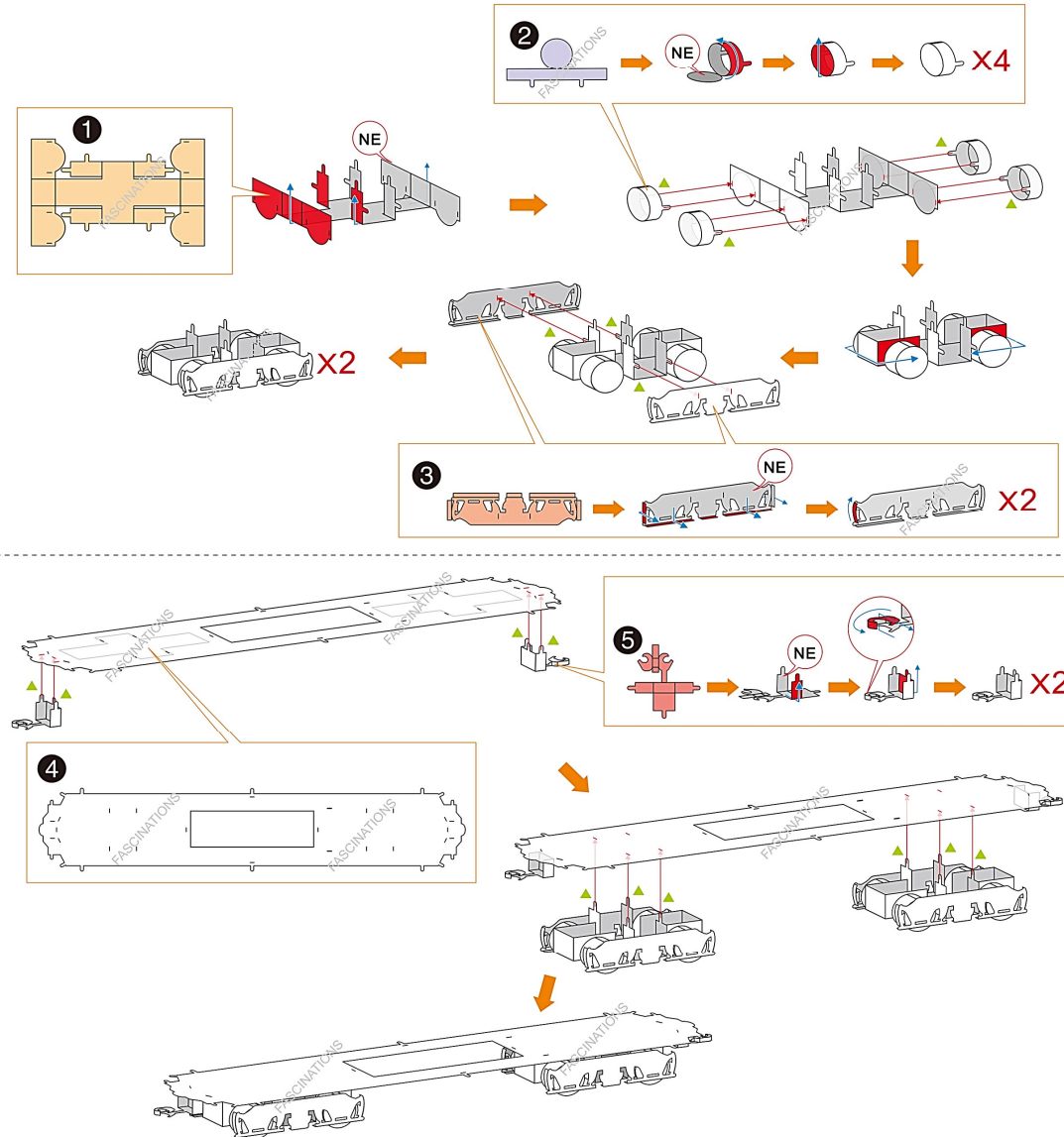


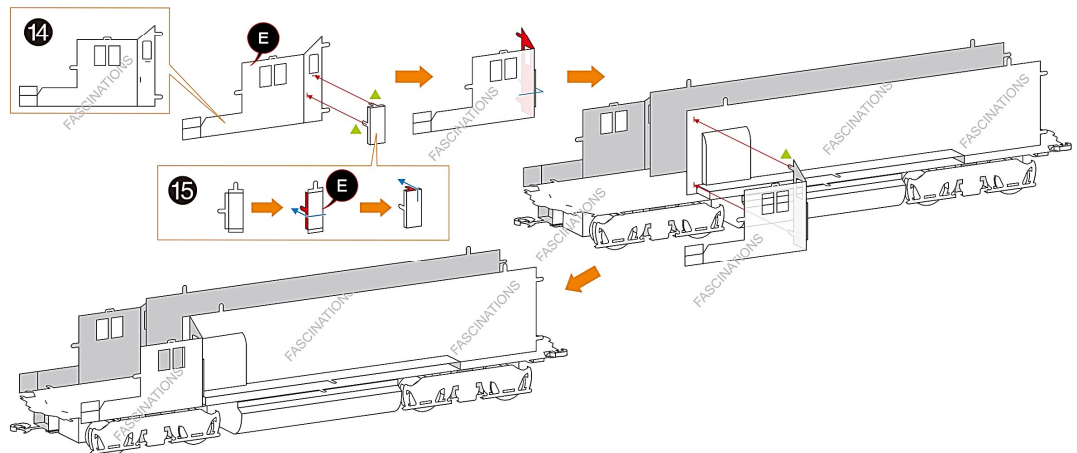
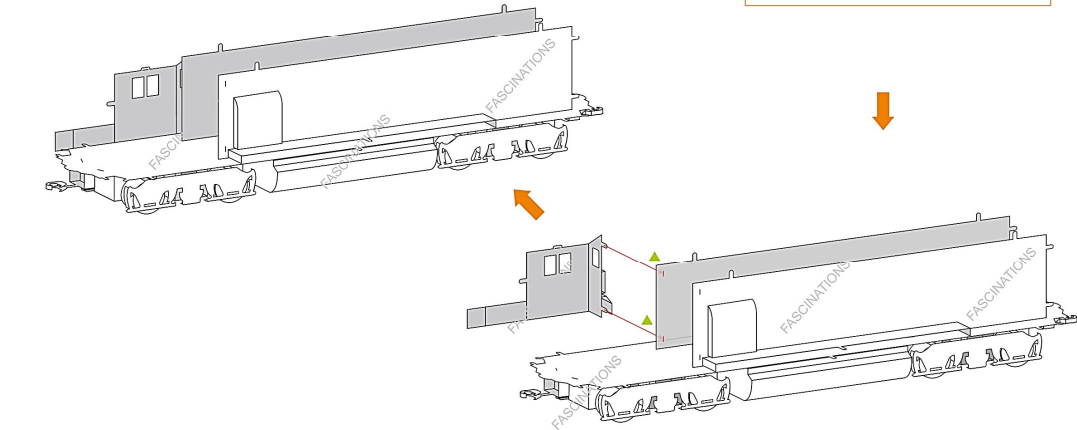
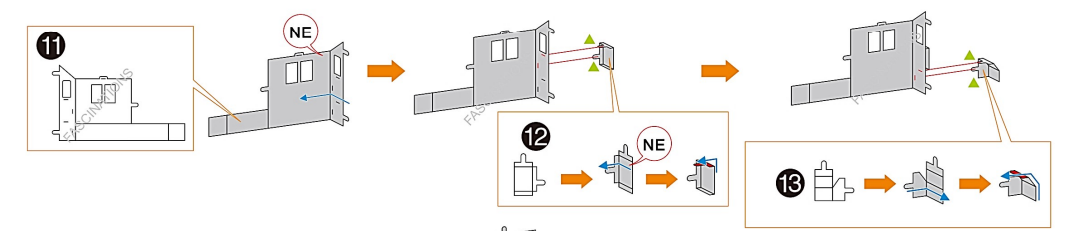
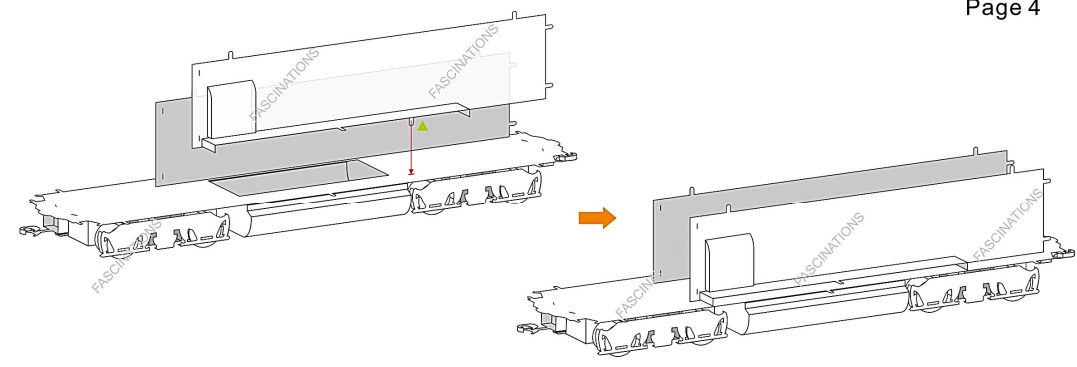
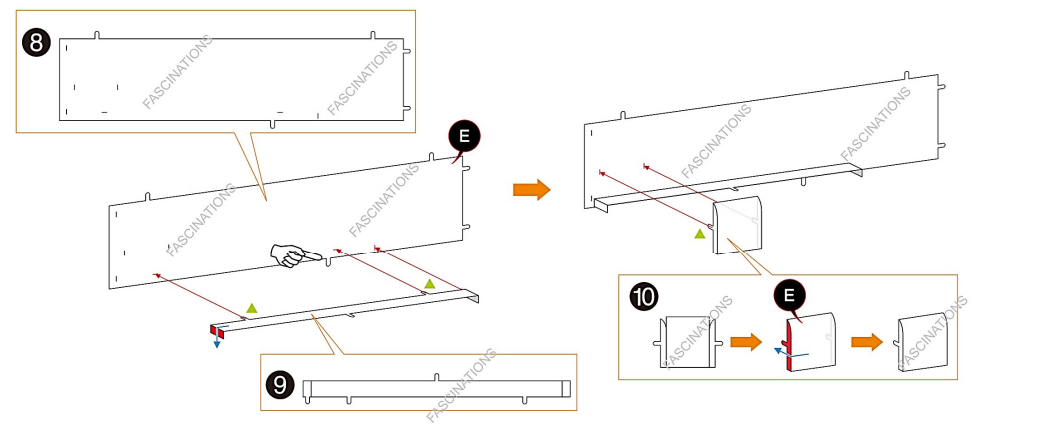
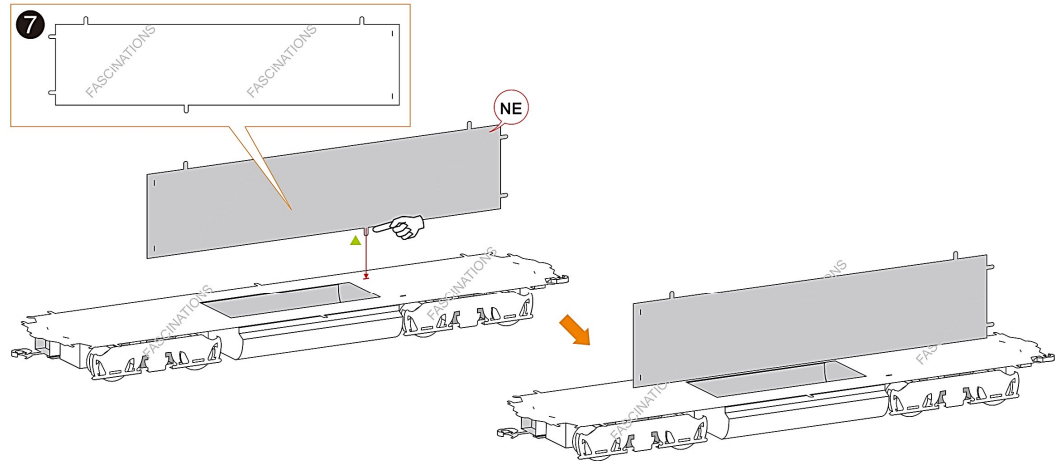
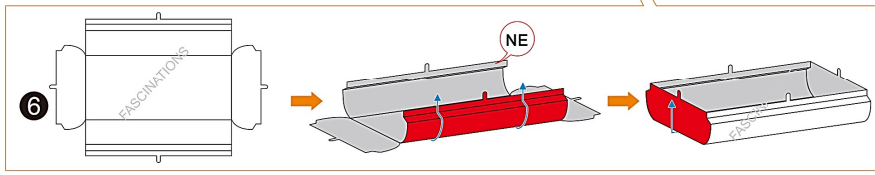
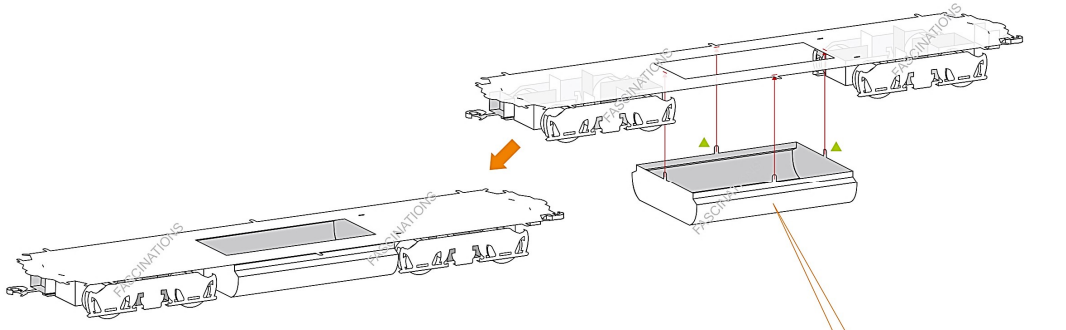
In order to avoid possible injury from sharp edges, please carefully discard the metal sheet after parts have been removed

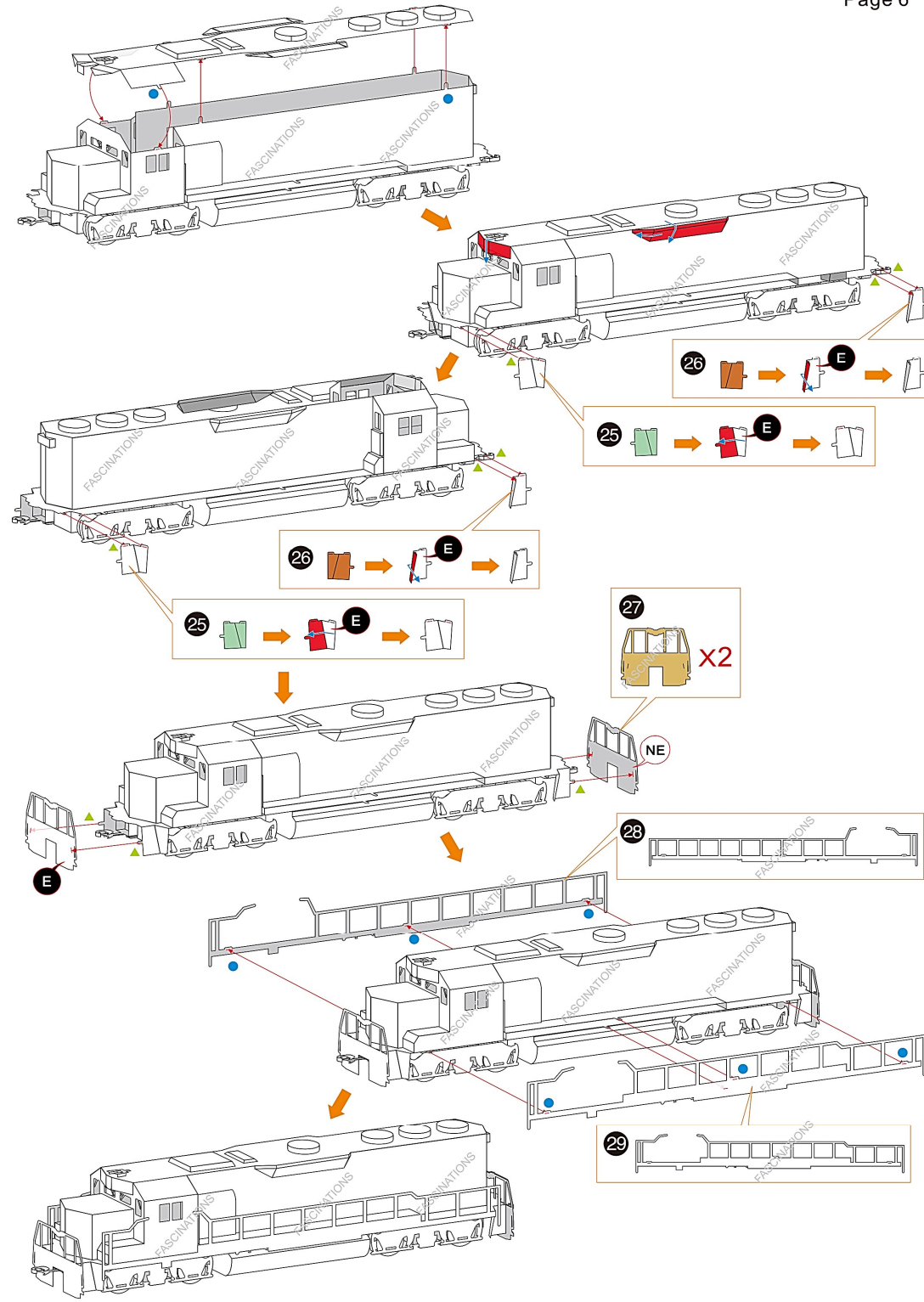
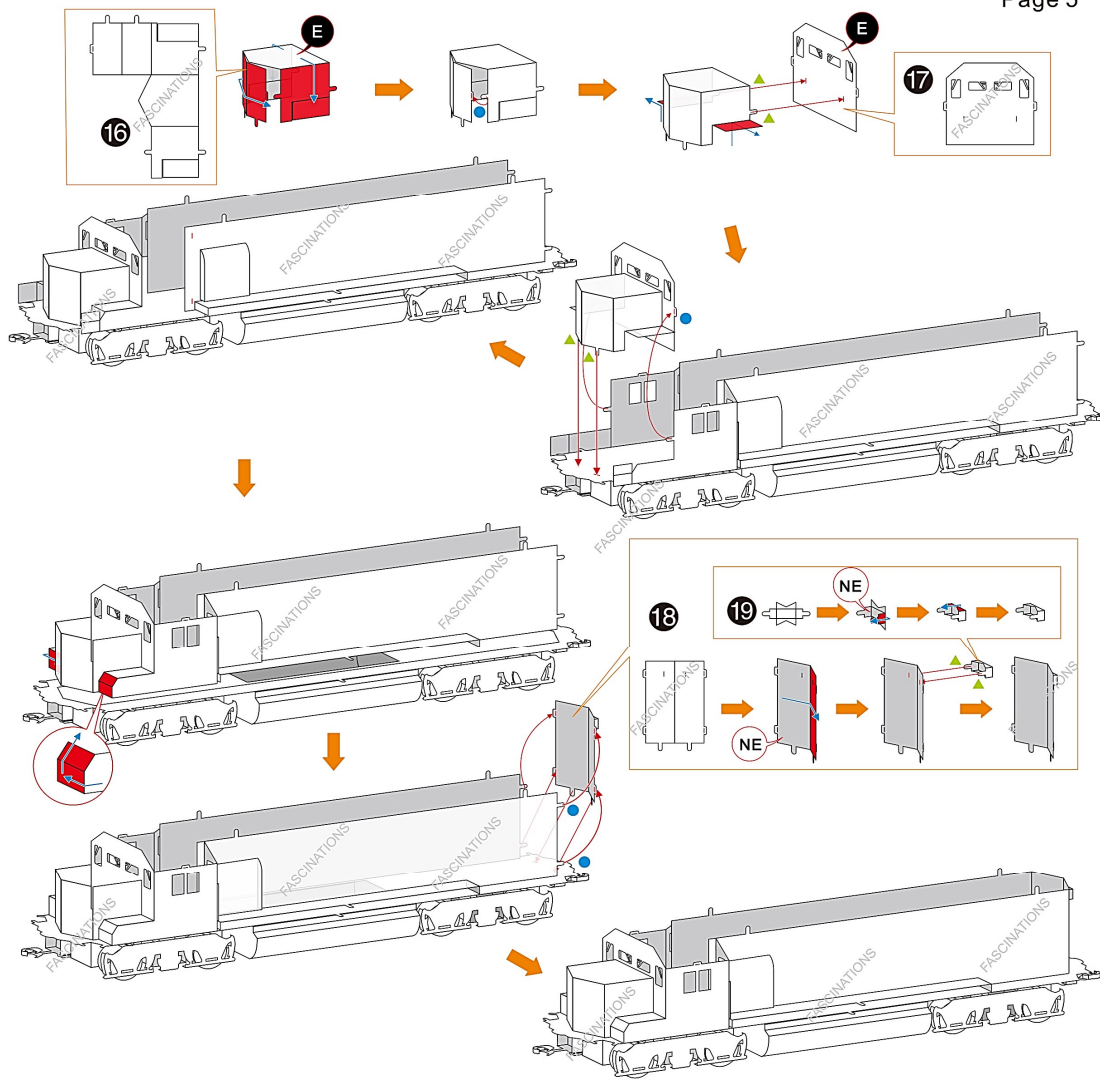
Assembly Flow Chart

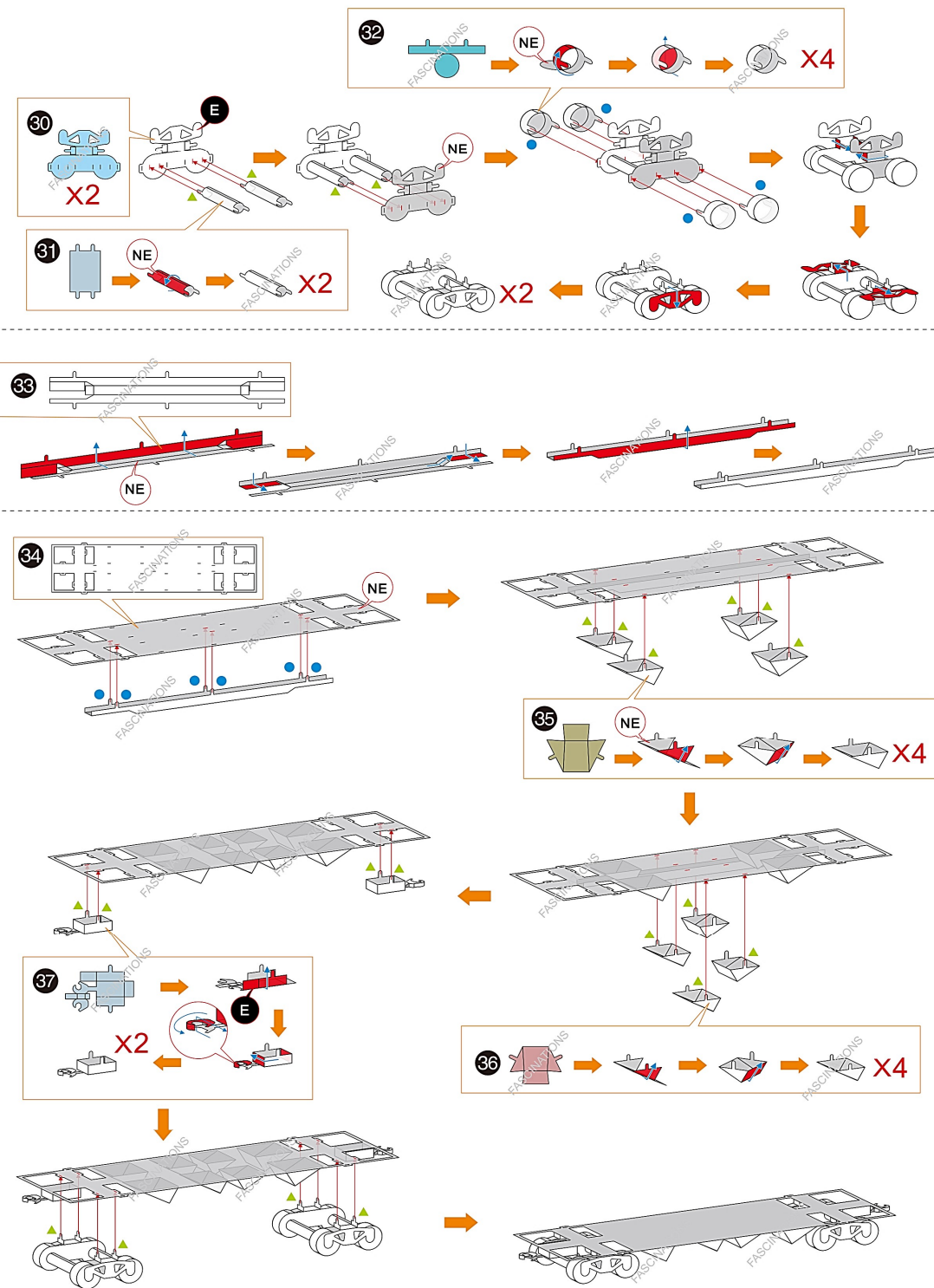


Assembly Flow Chart

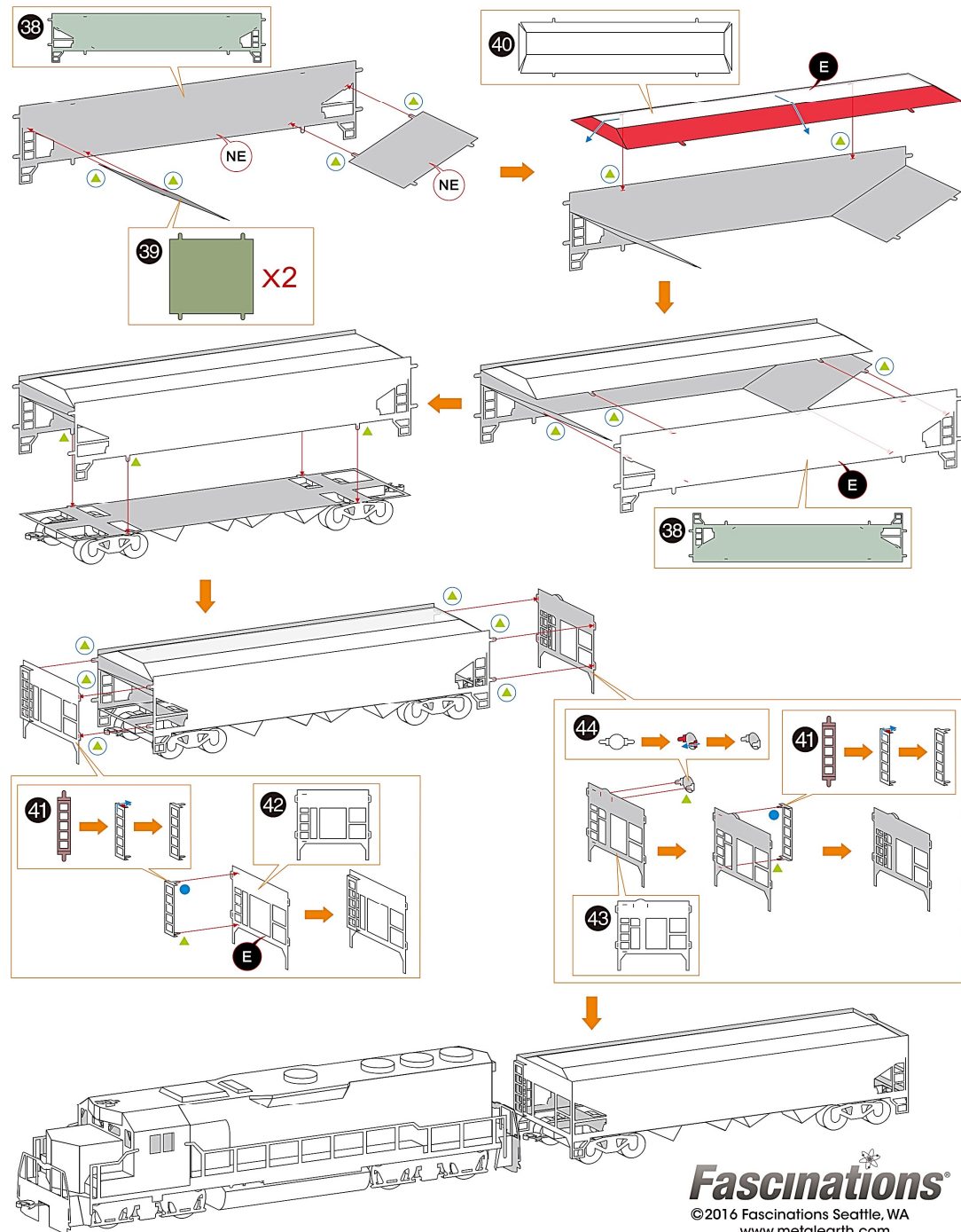






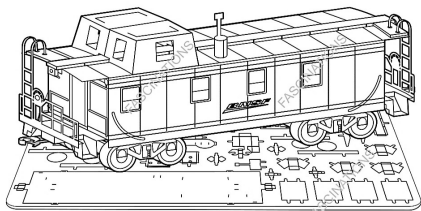


If preferred, do not twist these tabs too tight. After completing the gondola car, go back and change these tabs from twisted to bent for a nicer finish.



Metal Earth

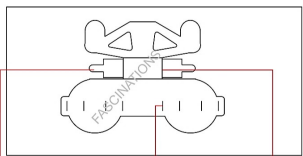
3D METAL MODEL KITS



Off Center Caboose
Item No. MMG104



It is highly recommended that you visit www.metalearth.com/360/mmg104 to see the completed model before assembling your own



Legends:

- E** Engraved side
- NE** Non-engraved side
- Attention point
- Insert tab and bend 90 degrees
- Insert tab and twist 90 degrees

Assembly tip:

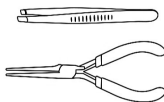
If needed, slightly twist tabs to hold parts together then untwist and bend them down for a nice finish

Recommended tools:

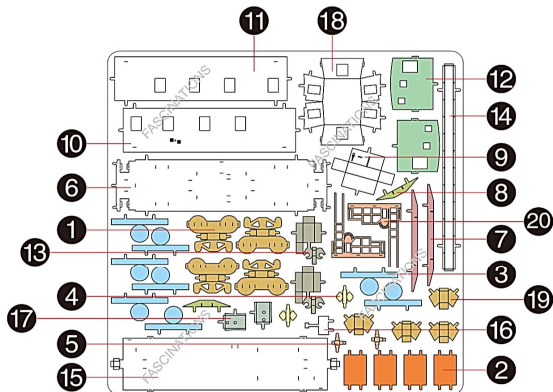
-Wire cutters: helpful for taking parts from the metal sheets.



-Tweezers or needle nose pliers: helpful for folding parts, bending and twisting tabs.



Metal sheet



In order to avoid possible injury from sharp edges, please carefully discard the metal sheet after parts have been removed

Assembly Flow Chart

