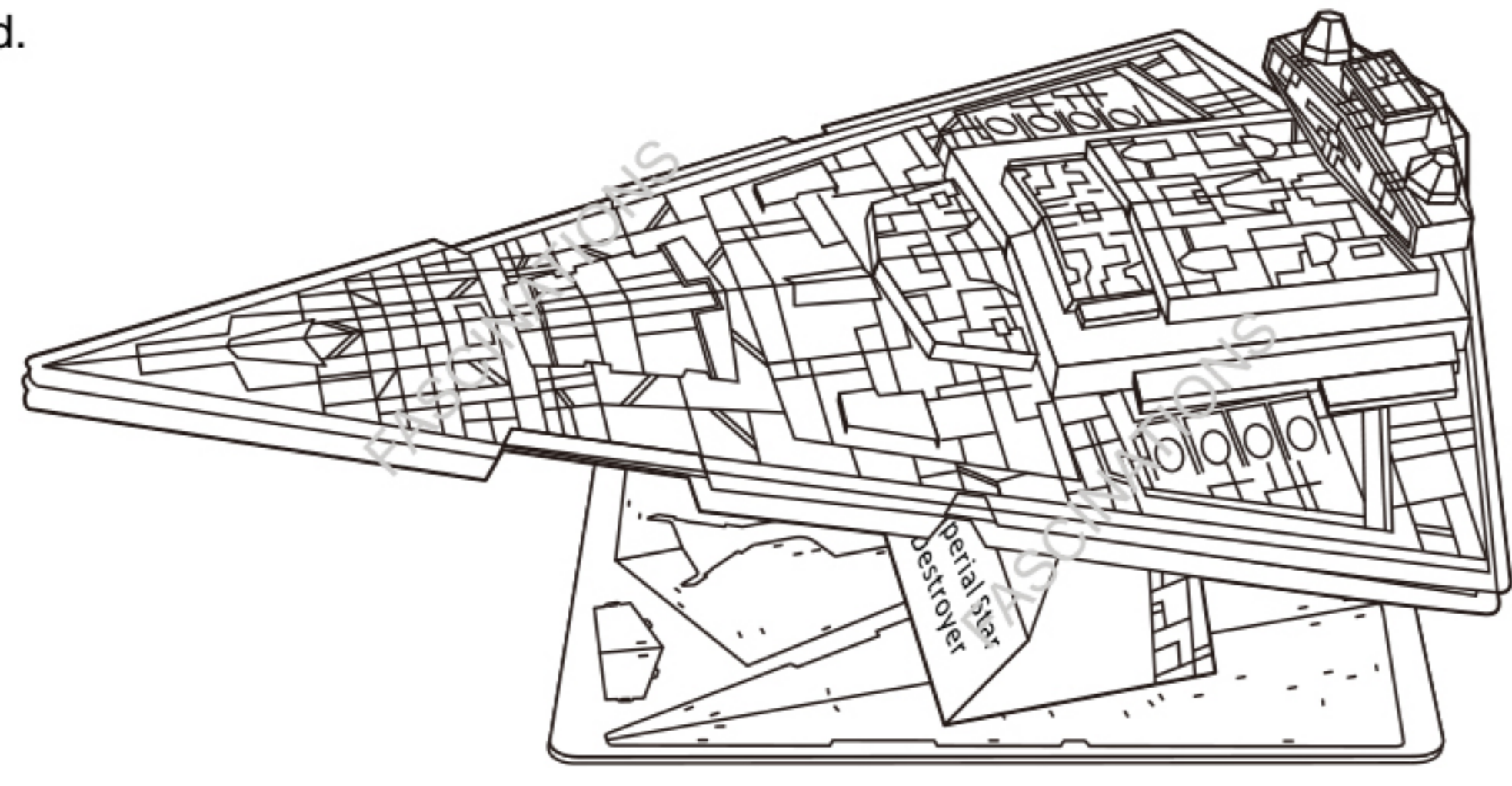




www.starwars.com  
© &™ Lucasfilm Ltd.



3D METAL MODEL KITS



### Imperial Star Destroyer™

Item No. MMS254



It is highly recommended that you visit [www.metalearth.com/360/mms254](http://www.metalearth.com/360/mms254) to see the completed model before assembling your own

#### Legends:

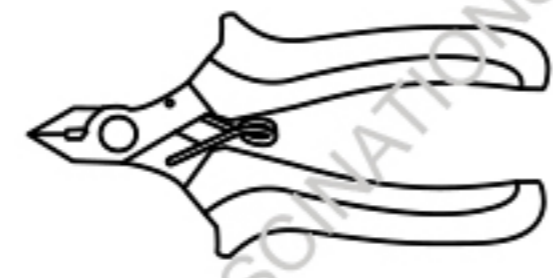
- Engraved side
- Non-engraved side
- Attention point
- Insert tab and bend 90 degrees
- Insert tab and twist 90 degrees

#### Assembly tip:

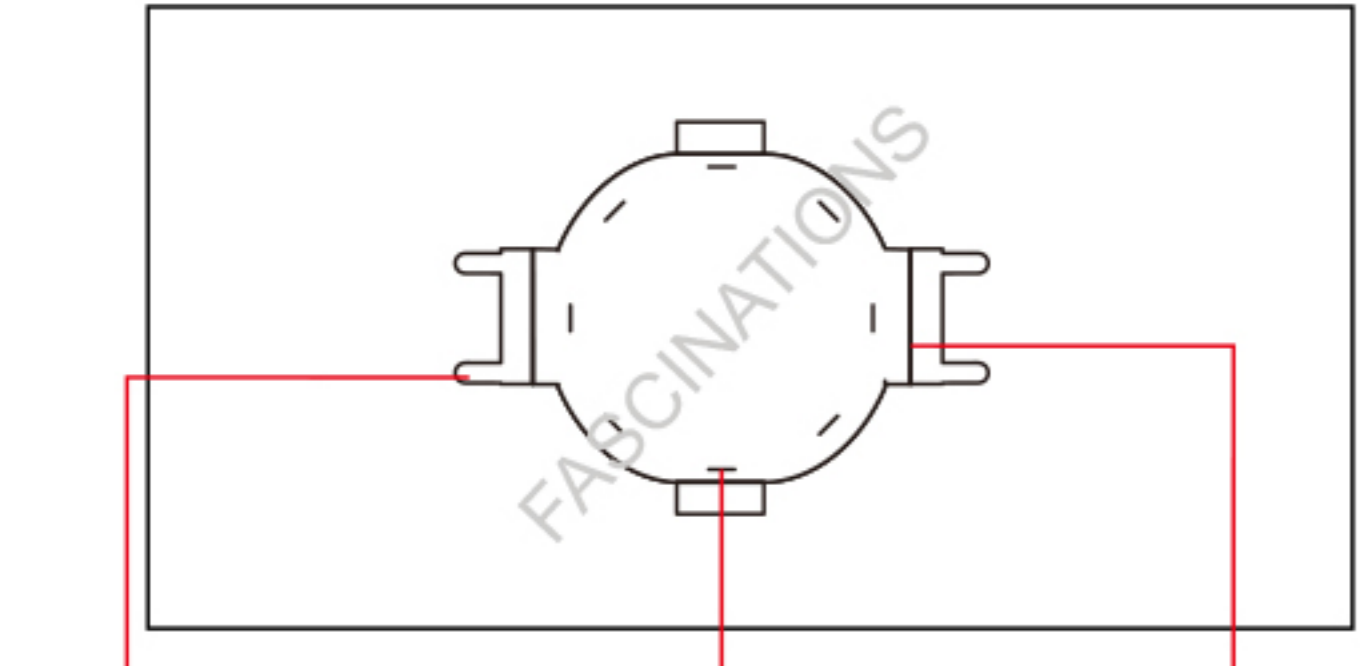
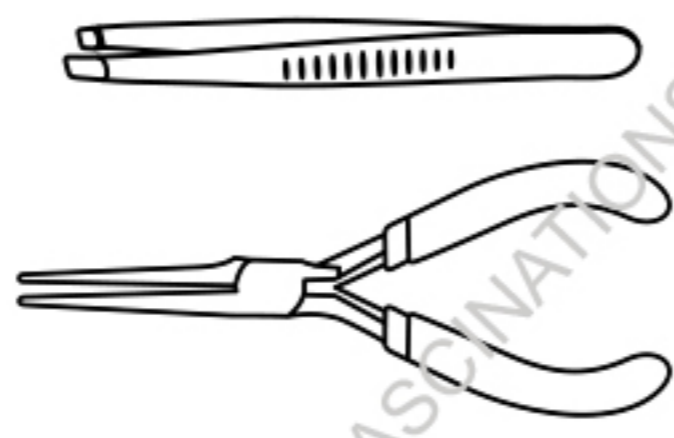
If needed, slightly twist tabs to hold parts together then untwist and bend them down for a nice finish

#### Recommended tools:

-Wire cutters: helpful for taking parts from the metal sheets.

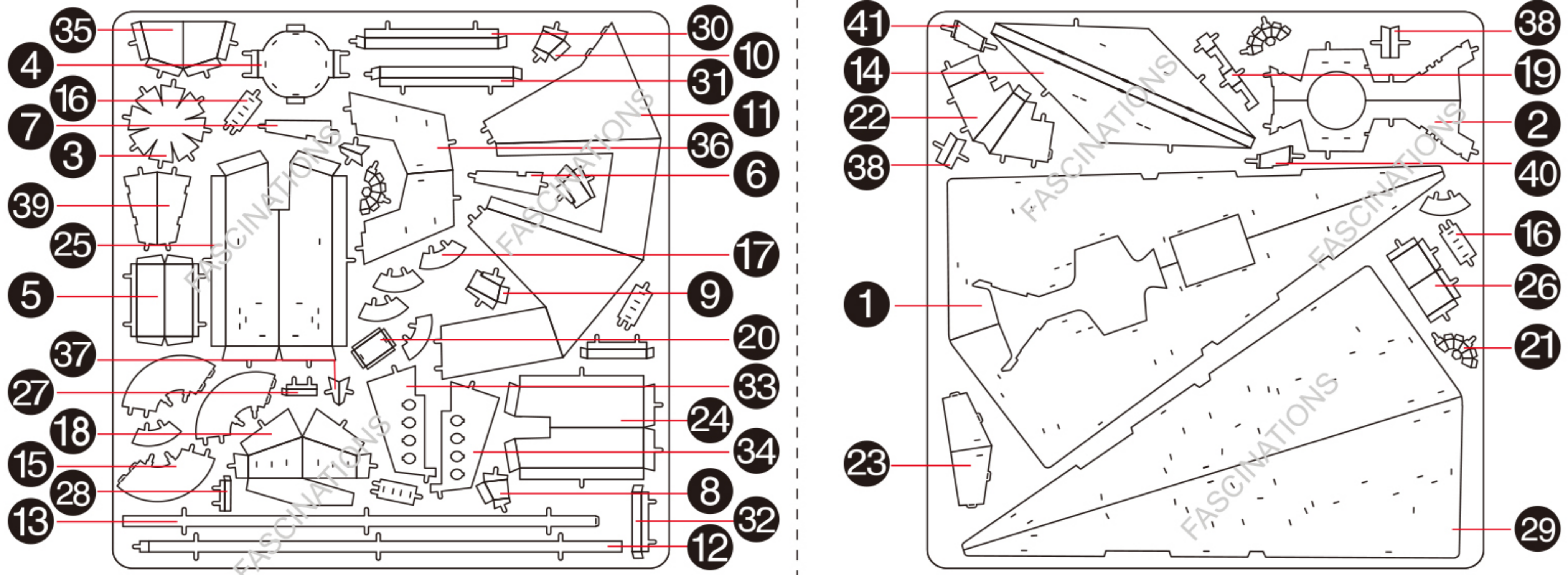


-Tweezers or needle nose pliers: helpful for folding parts, bending and twisting tabs.



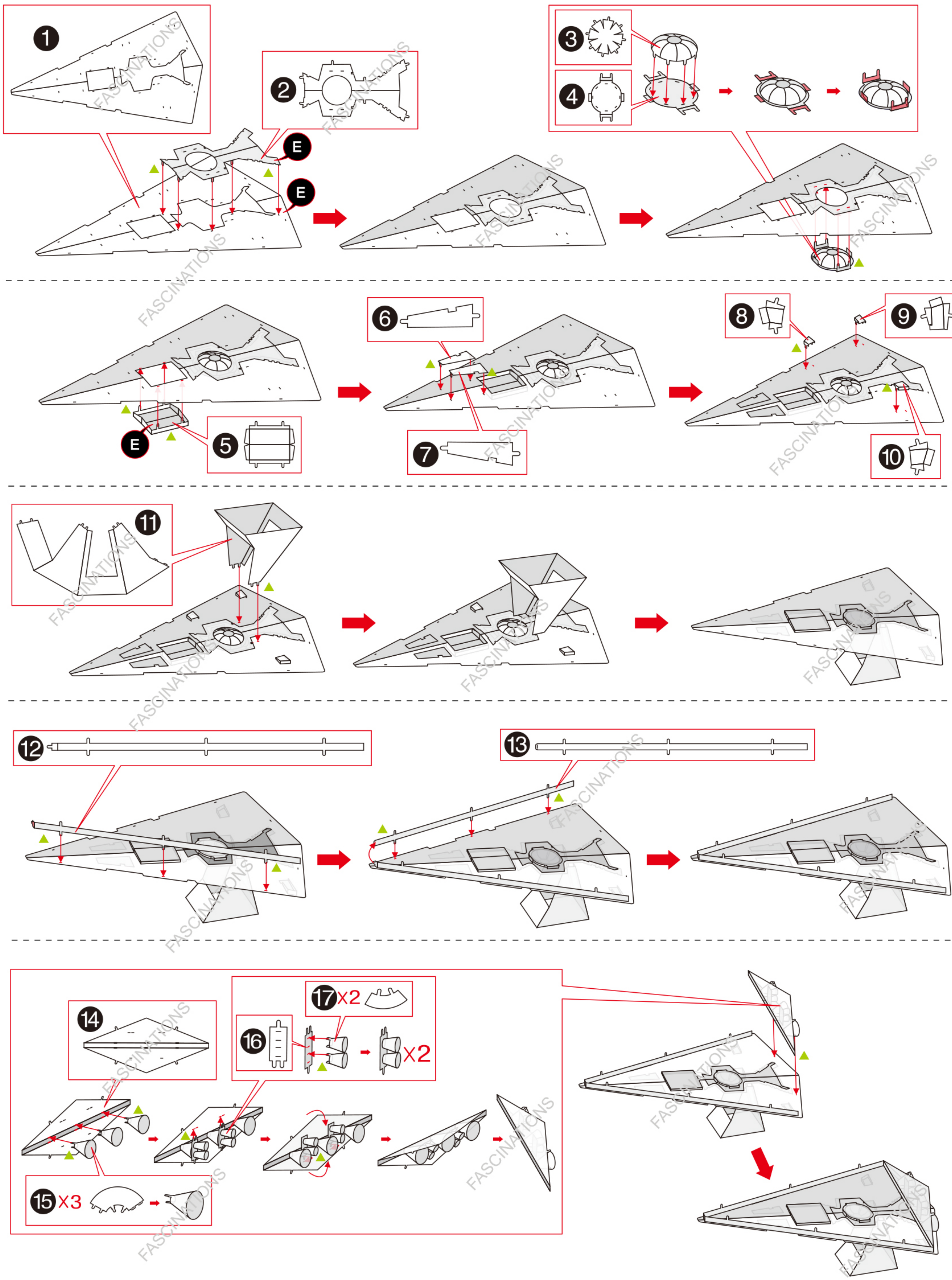
Insertion tabs are inserted and then folded  
Insertion holes  
Fold lines can be seen as shown here

#### Metal sheets

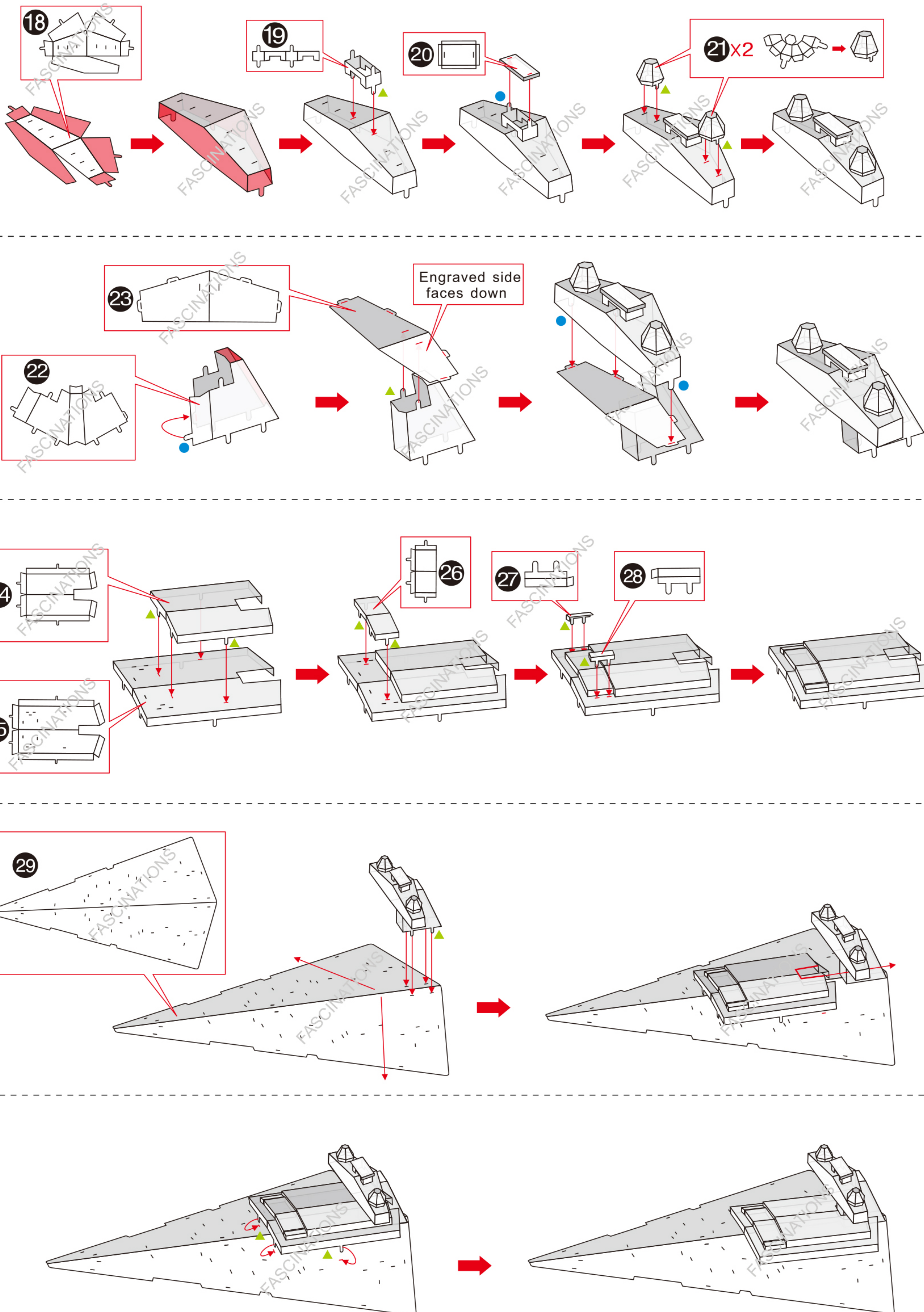


In order to avoid possible injury from sharp edges, please carefully discard the metal sheets after parts have been removed

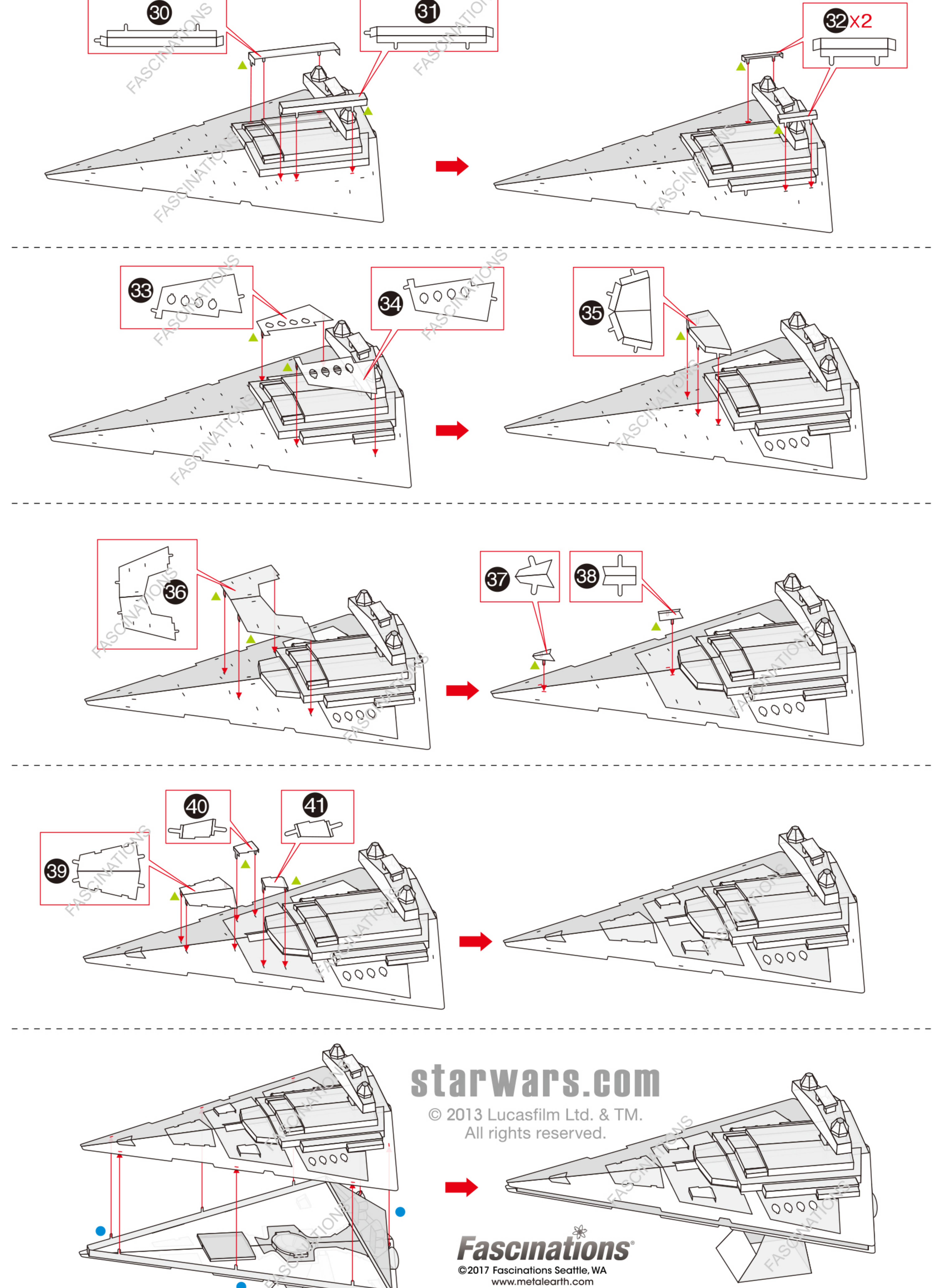
#### Assembly Flow Chart



#### Page 3



#### Page 4



starwars.com

© 2013 Lucasfilm Ltd. & TM.  
All rights reserved.

**Fascinations**  
©2017 Fascinations Seattle, WA  
www.metalearth.com